



US00D584351S

(12) **United States Design Patent**
Nip

(10) **Patent No.:** **US D584,351 S**
(45) **Date of Patent:** **** Jan. 6, 2009**

(54) **TONER CARTRIDGE FOR COMPUTER PRINTER**

(75) Inventor: **Shui Kuen Nip**, North Point (HK)

(73) Assignee: **Powerful Way Limited**, North Point (HK)

(**) Term: **14 Years**

(21) Appl. No.: **29/283,899**

(22) Filed: **Aug. 27, 2007**

(51) **LOC (9) Cl.** **18-02**

(52) **U.S. Cl.** **D18/56; 347/86**

(58) **Field of Classification Search** D18/12,
D18/43, 56; 347/85-87
See application file for complete search history.

(56) **References Cited**

U.S. PATENT DOCUMENTS

D346,179 S *	4/1994	Haida	D18/56
D418,156 S *	12/1999	Maeda	D18/43
D431,259 S *	9/2000	Muranaka	D18/43
D450,752 S *	11/2001	Ito et al.	D18/43
D478,344 S *	8/2003	Kinoshita et al.	D18/43
D478,345 S *	8/2003	Kinoshita et al.	D18/43
D491,602 S *	6/2004	Koyama et al.	D18/43

D541,852 S *	5/2007	Hattori et al.	D18/56
D542,343 S *	5/2007	Hattori et al.	D18/56
D549,274 S *	8/2007	Koizumi et al.	D18/43
2008/0024573 A1 *	1/2008	Sugiyama et al.	347/86
2008/0129805 A1 *	6/2008	Yano	347/86
2008/0158316 A1 *	7/2008	Uchino	347/86

* cited by examiner

Primary Examiner—Cathy Anne MacCormac
(74) *Attorney, Agent, or Firm*—Rabin & Berdo, P.C.

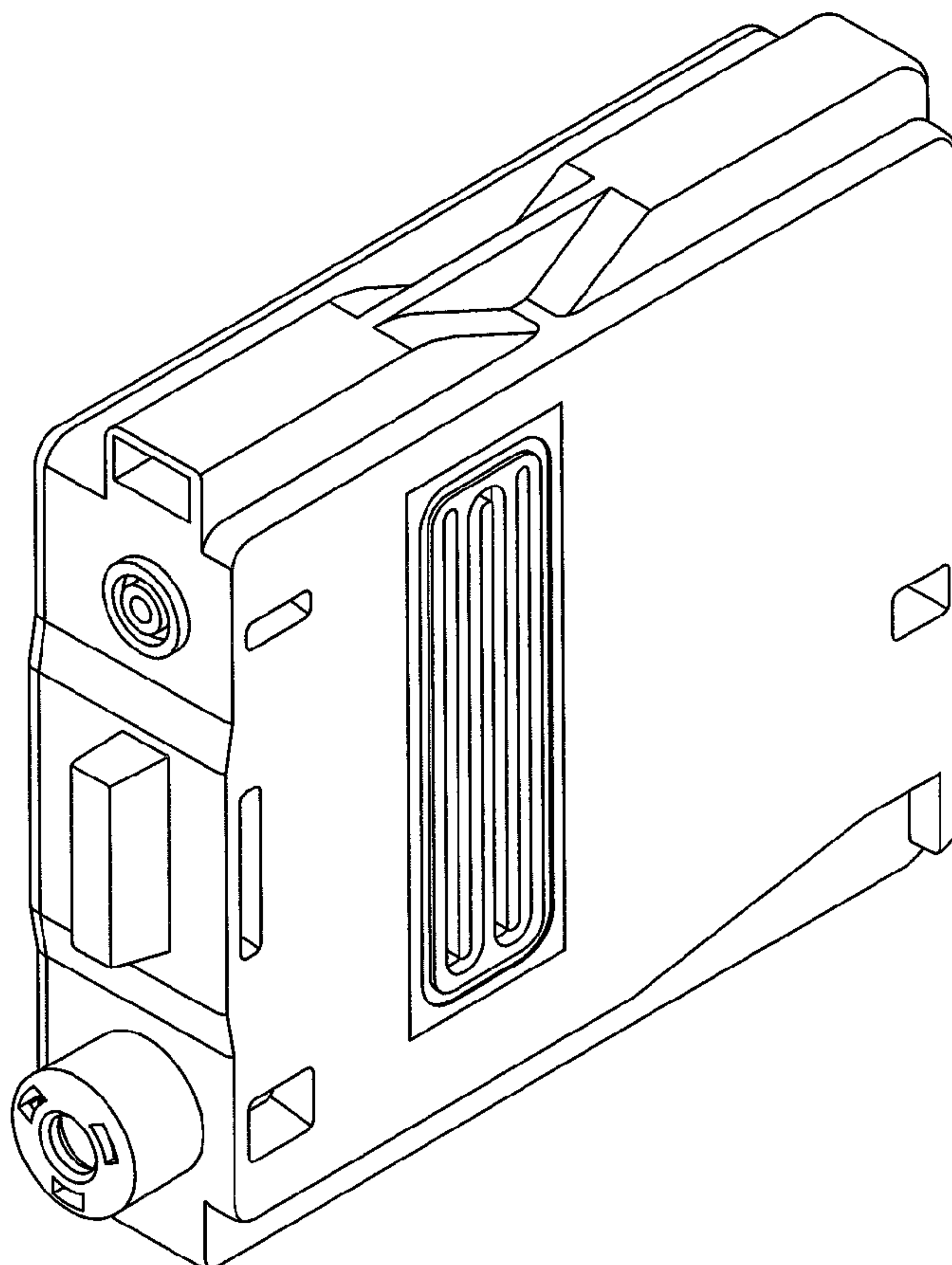
(57) **CLAIM**

The ornamental design for a toner cartridge for computer printer, as shown and described.

DESCRIPTION

FIG. 1 is a front view of a toner cartridge for computer printer showing my new design;
FIG. 2 a rear view thereof;
FIG. 3 is a left side view thereof;
FIG. 4 is a right side view thereof;
FIG. 5 is a top view thereof;
FIG. 6 is a bottom view thereof; and,
FIG. 7 is a perspective view thereof.

1 Claim, 5 Drawing Sheets



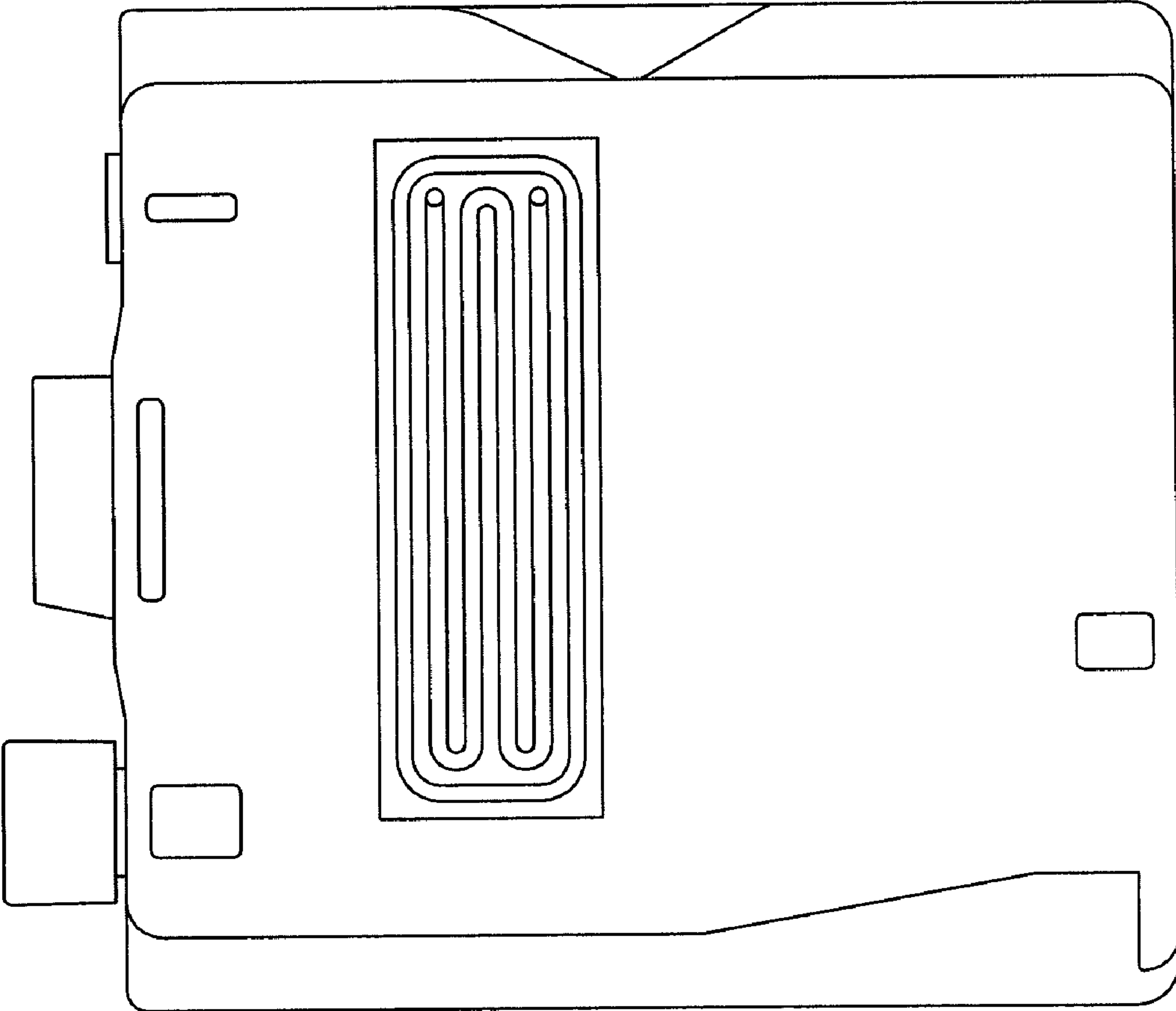


FIG. 1

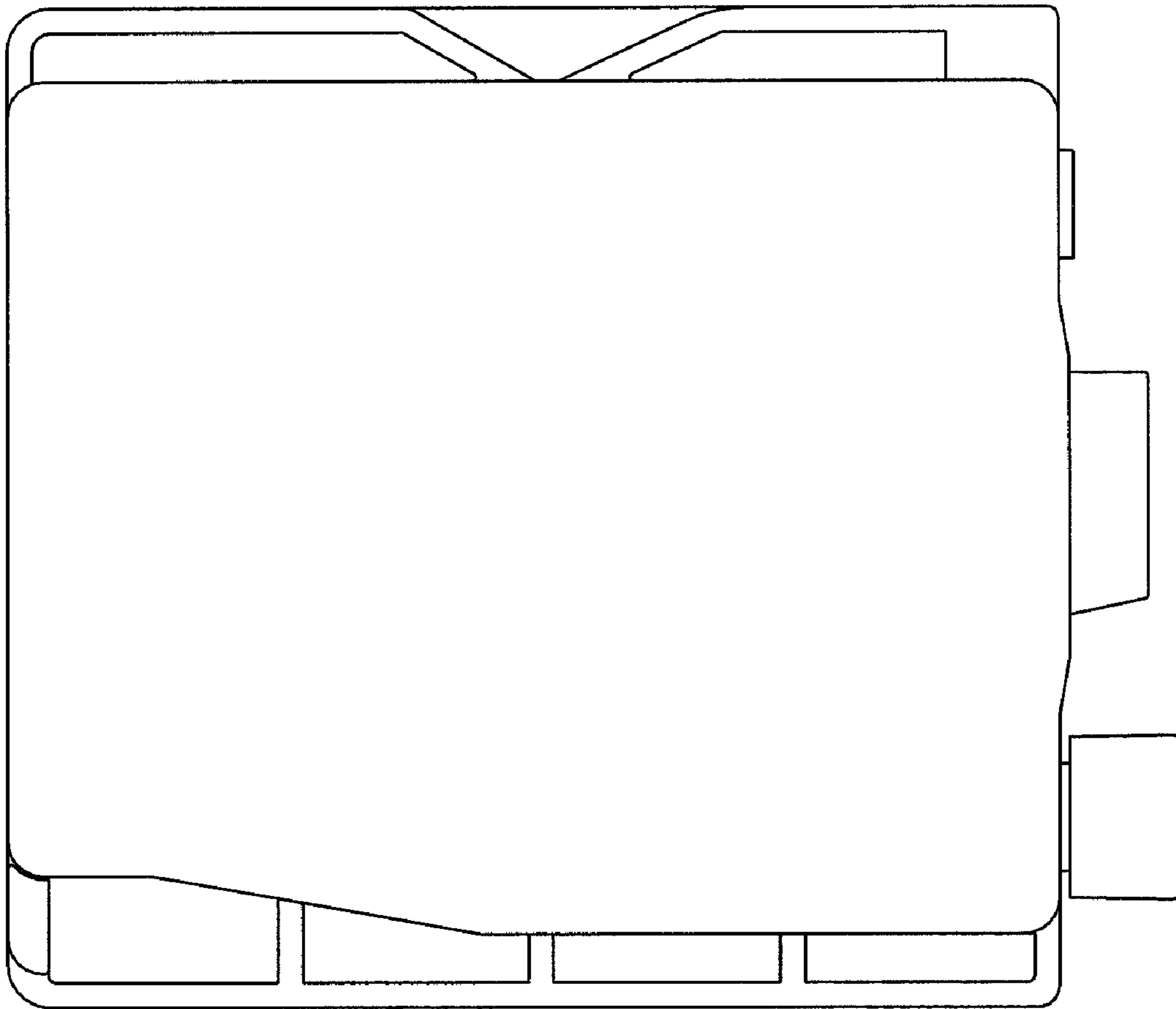


FIG. 2

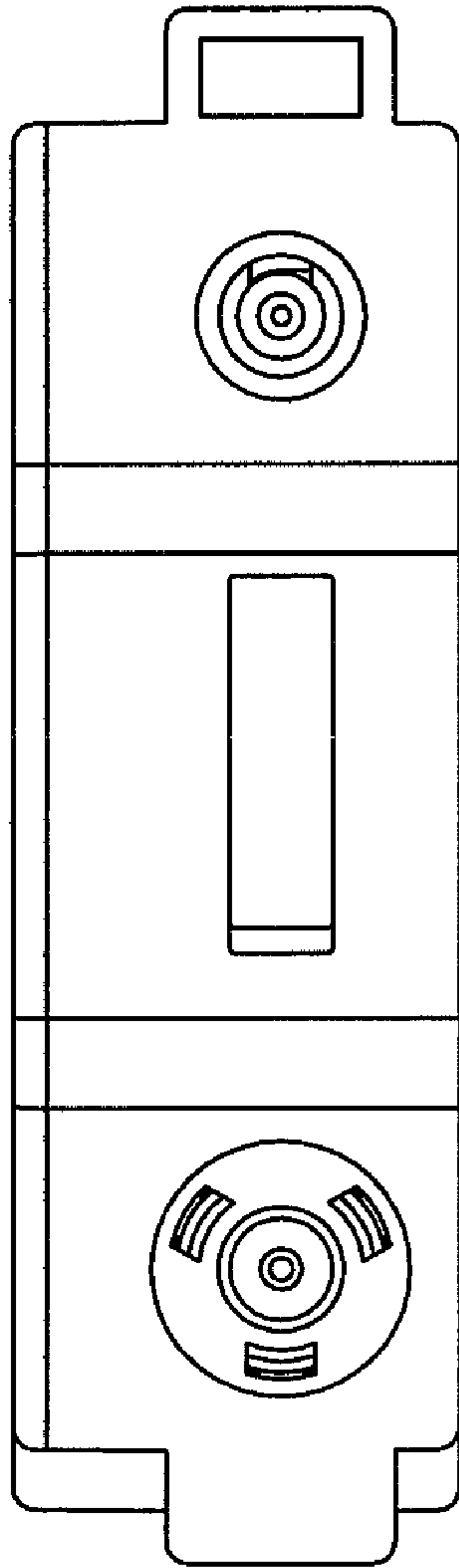


FIG. 3

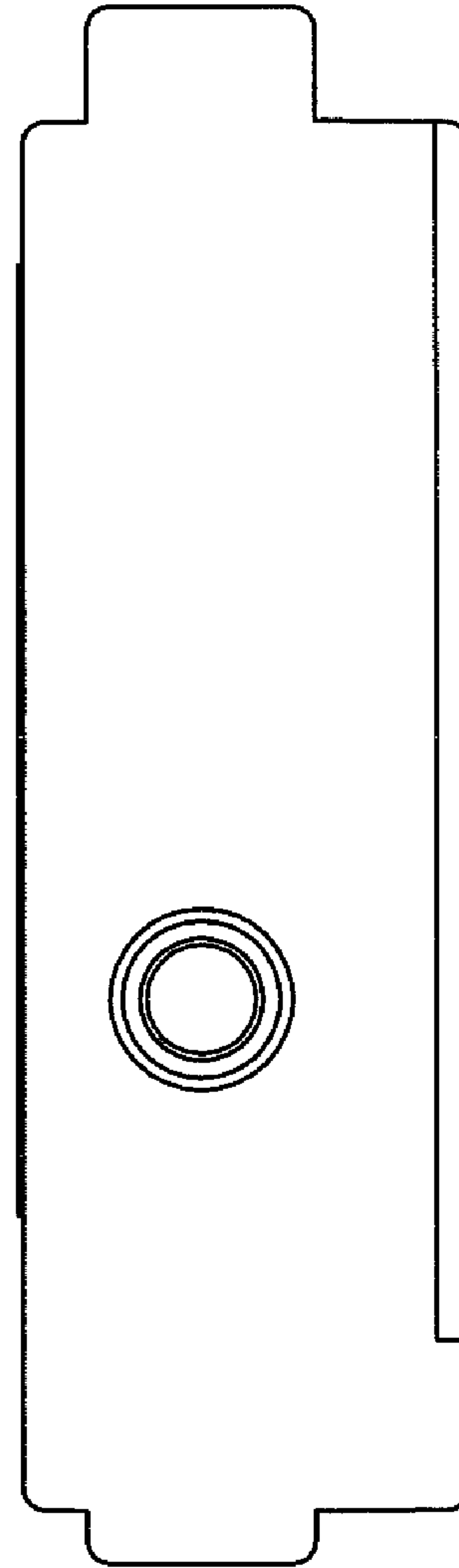


FIG. 4

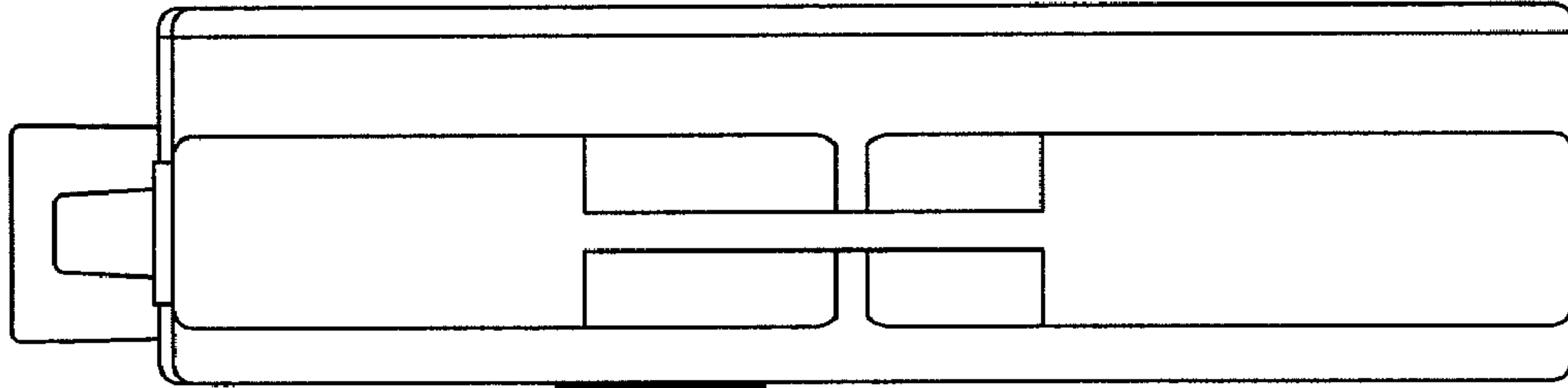


FIG. 5

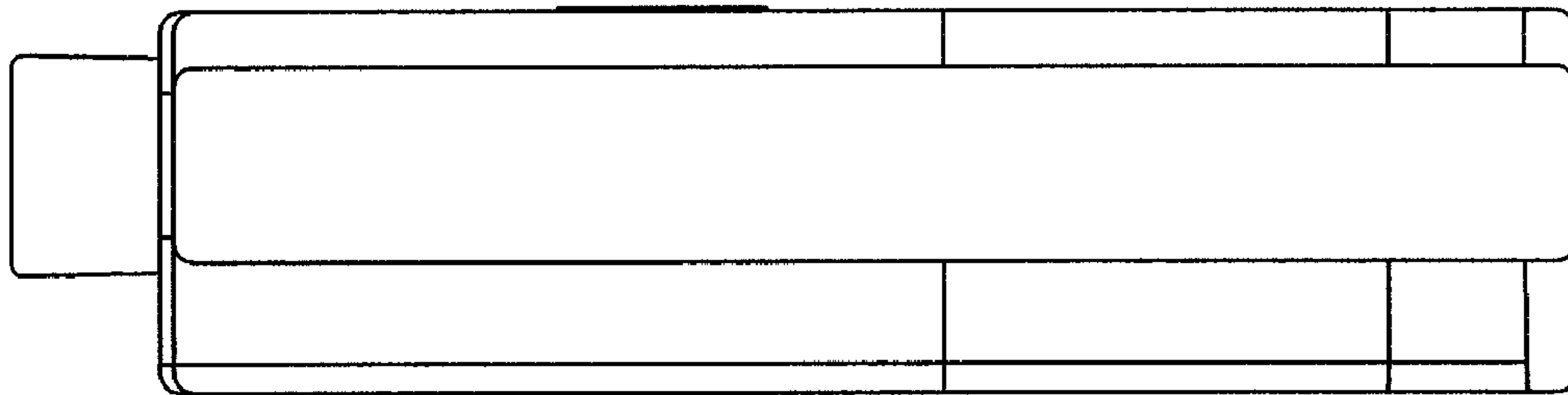


FIG. 6

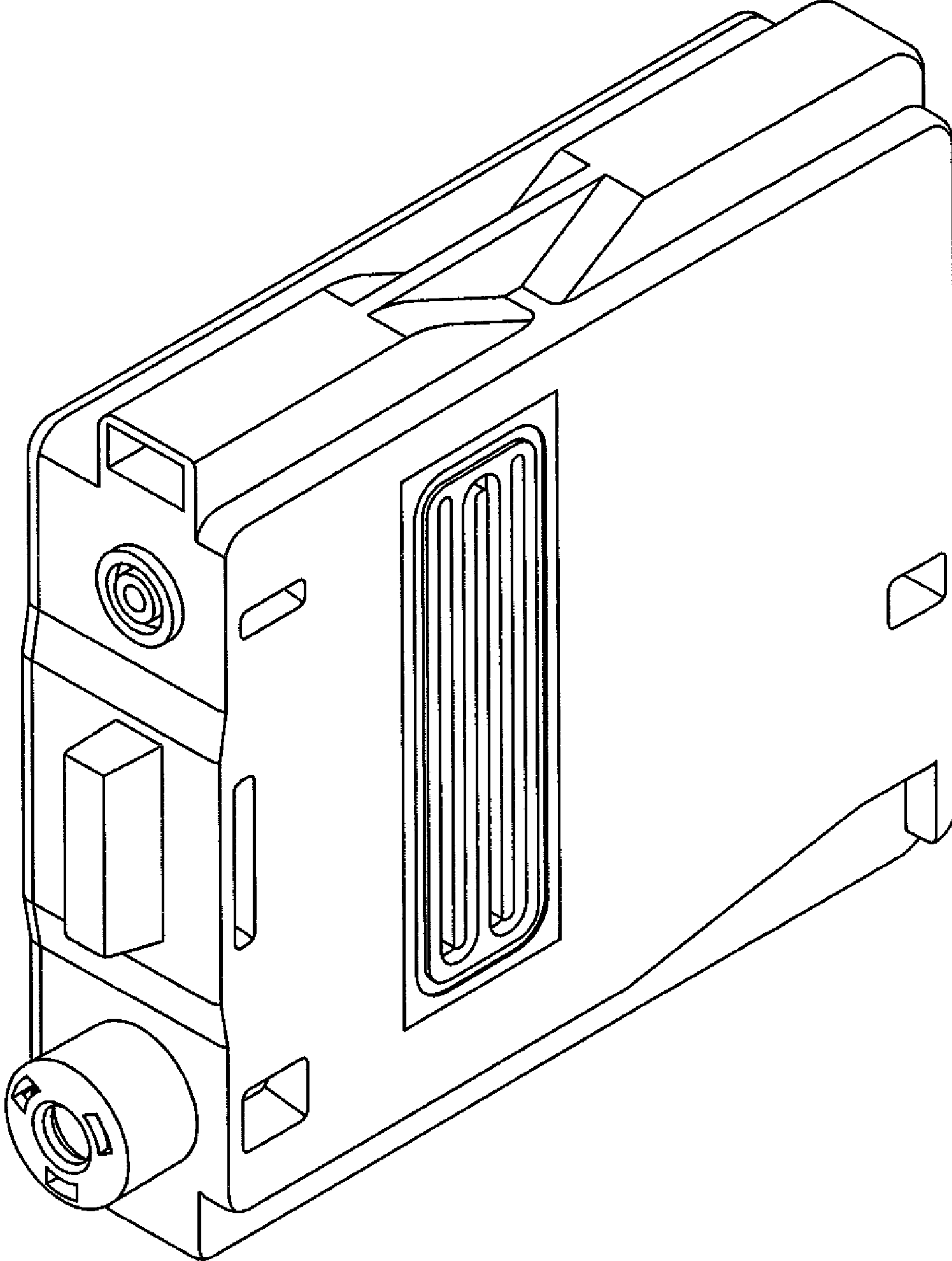


FIG. 7