



US00D584349S

(12) **United States Design Patent**
Tani

(10) **Patent No.:** **US D584,349 S**
(45) **Date of Patent:** **** Jan. 6, 2009**

- (54) **MULTI-FUNCTION PRINTER**
- (75) Inventor: **Atsushi Tani**, Kadoma (JP)
- (73) Assignee: **Panasonic Corporation**, Osaka (JP)
- (**) Term: **14 Years**
- (21) Appl. No.: **29/298,523**
- (22) Filed: **Dec. 6, 2007**
- (51) **LOC (9) Cl.** **14-02**
- (52) **U.S. Cl.** **D18/55**
- (58) **Field of Classification Search** D18/36–39,
D18/50, 54, 54.1, 55; D14/420–425, 462–470;
400/613, 613.1–613.4, 690.1–690.4, 691–694
See application file for complete search history.

(56) **References Cited**

U.S. PATENT DOCUMENTS

- D267,948 S 2/1983 Kojima et al.
- D313,798 S 1/1991 Morozumi
- D328,609 S * 8/1992 Isida D18/36
- D329,870 S 9/1992 Hanasaki et al.
- D331,069 S 11/1992 Hanasaki et al.
- D344,939 S 3/1994 Kashiwabara et al.
- D406,161 S 2/1999 Yoshida et al.
- D428,049 S 7/2000 Imai
- D446,806 S * 8/2001 Imai D18/36
- D451,124 S * 11/2001 Isomoto D18/39
- D458,298 S 6/2002 Katsuyama et al.
- D473,587 S 4/2003 Agata et al.
- D474,233 S 5/2003 Isomoto
- D491,219 S 6/2004 Shimamura
- D493,817 S 8/2004 Yoshida et al.
- D501,019 S * 1/2005 Yoshida et al. D18/39
- D502,500 S 3/2005 Hoshiya et al.
- D516,081 S 2/2006 Takimoto
- D526,351 S 8/2006 Yamamoto et al.
- D528,155 S 9/2006 Katayama
- D529,951 S 10/2006 Katayama et al.
- D531,175 S 10/2006 Moskaluk et al.
- D531,663 S 11/2006 Senda et al.
- D532,449 S * 11/2006 Tjin Wong Joe et al. D18/55
- D532,450 S 11/2006 Smith et al.
- D532,818 S 11/2006 Senda et al.
- D533,218 S 12/2006 Gant et al.

- D534,578 S 1/2007 Katayama et al.
- D534,947 S 1/2007 Gant et al.
- D536,372 S 2/2007 Lim et al.
- D537,109 S * 2/2007 Mizusugi et al. D18/39
- D537,113 S 2/2007 Gant et al.
- D537,114 S 2/2007 Gant et al.
- D537,475 S 2/2007 Miller et al.
- D537,479 S 2/2007 Alfonso et al.
- D539,839 S 4/2007 Brinkly et al.
- D544,532 S 6/2007 Matsumoto et al.
- D545,357 S 6/2007 Hattori et al.
- D548,774 S 8/2007 Ishio et al.
- D548,776 S 8/2007 Egami et al.
- D549,769 S * 8/2007 Kawamura et al. D18/39
- D550,279 S 9/2007 Tani
- D551,700 S 9/2007 Park et al.
- D556,255 S * 11/2007 Matsumoto D18/50
- D557,738 S * 12/2007 Falk D18/53
- D565,645 S * 4/2008 Kawamura et al. D18/39
- D567,848 S * 4/2008 Kawamura et al. D18/39

* cited by examiner

Primary Examiner—Cathy Anne MacCormac
(74) *Attorney, Agent, or Firm*—Brinks Hofer Gilson & Lione

(57) **CLAIM**

I claim the ornamental design for a multi-function printer, as shown and described.

DESCRIPTION

FIG. 1 is a top perspective view of a multi-function printer of the present invention;
 FIG. 2 is a front view thereof;
 FIG. 3 is a rear view thereof;
 FIG. 4 is a first side view thereof;
 FIG. 5 is a second side view thereof;
 FIG. 6 is a top view thereof; and,
 FIG. 7 is a bottom view thereof.

The broken lines are for purposes of illustration only and form no part of the claimed design.

1 Claim, 7 Drawing Sheets

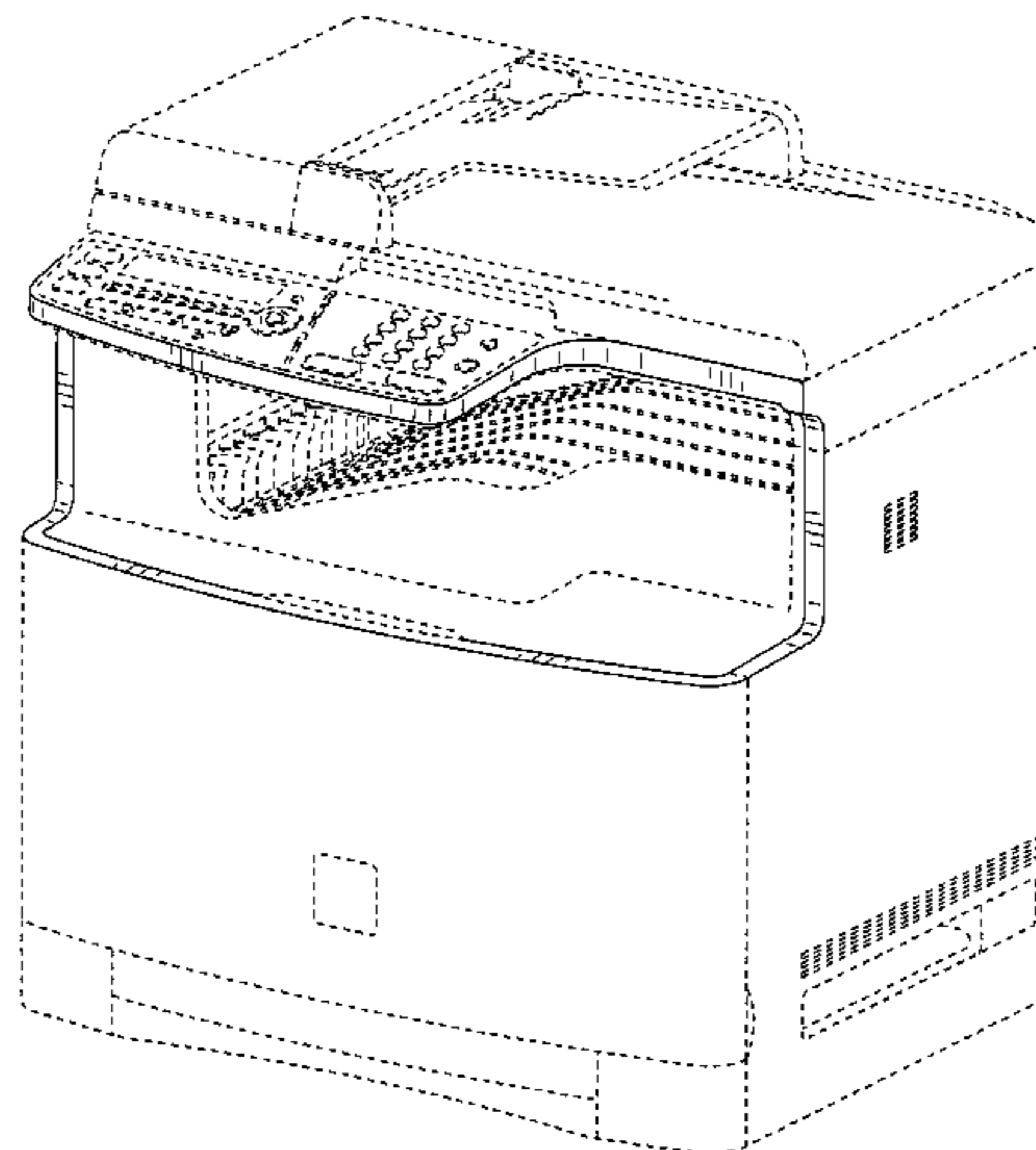


FIG.1

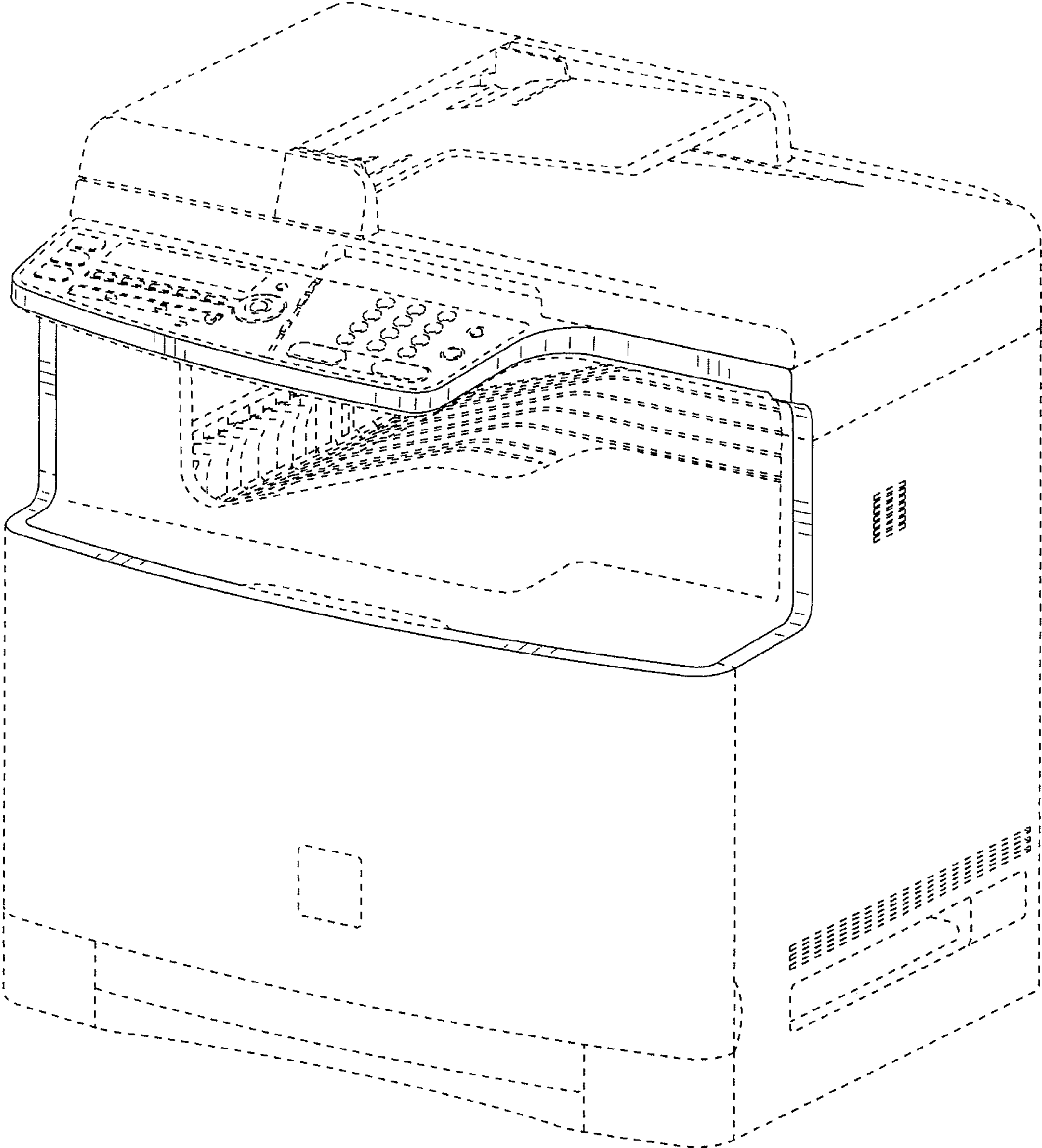


FIG.2

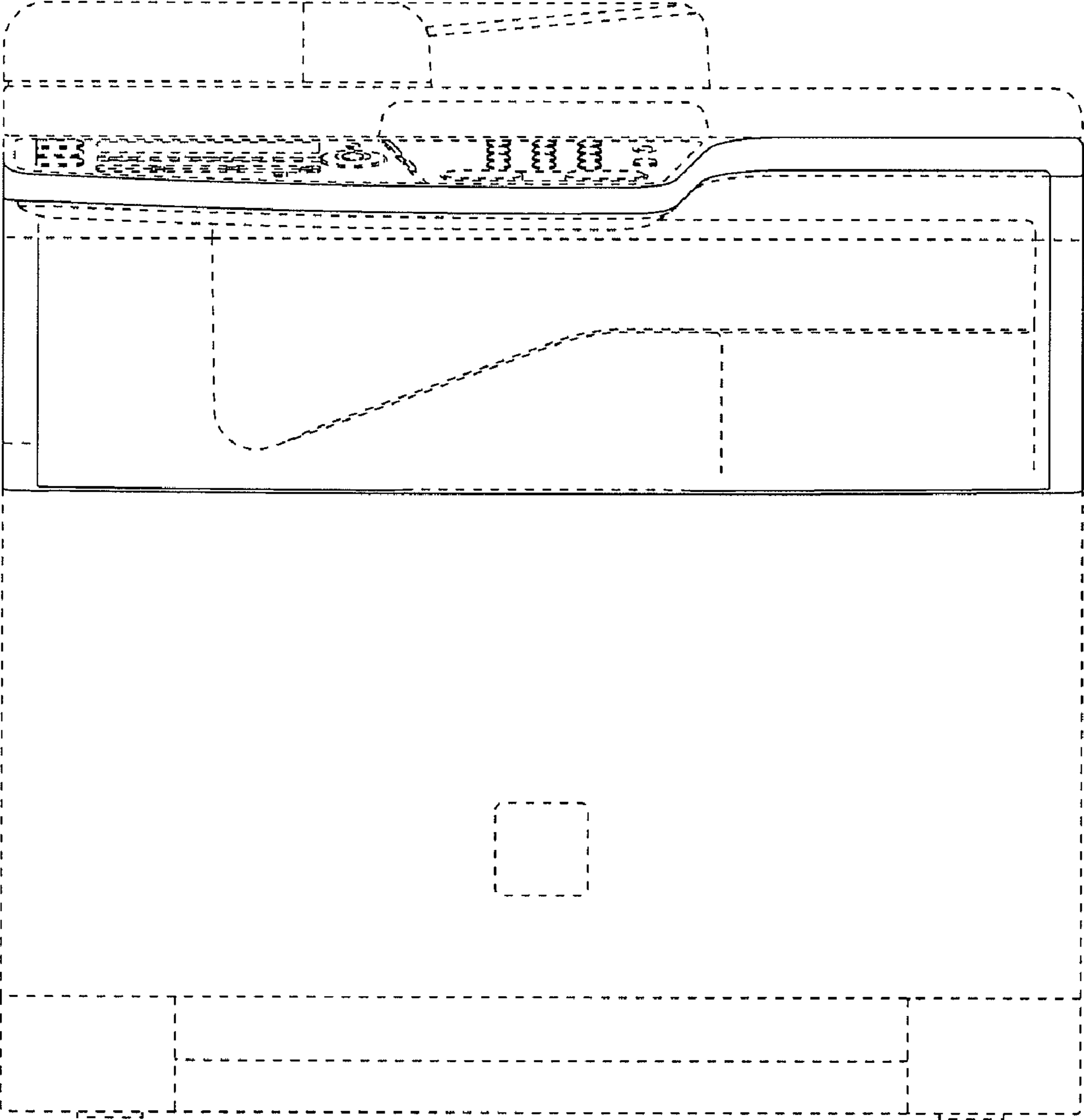


FIG.3

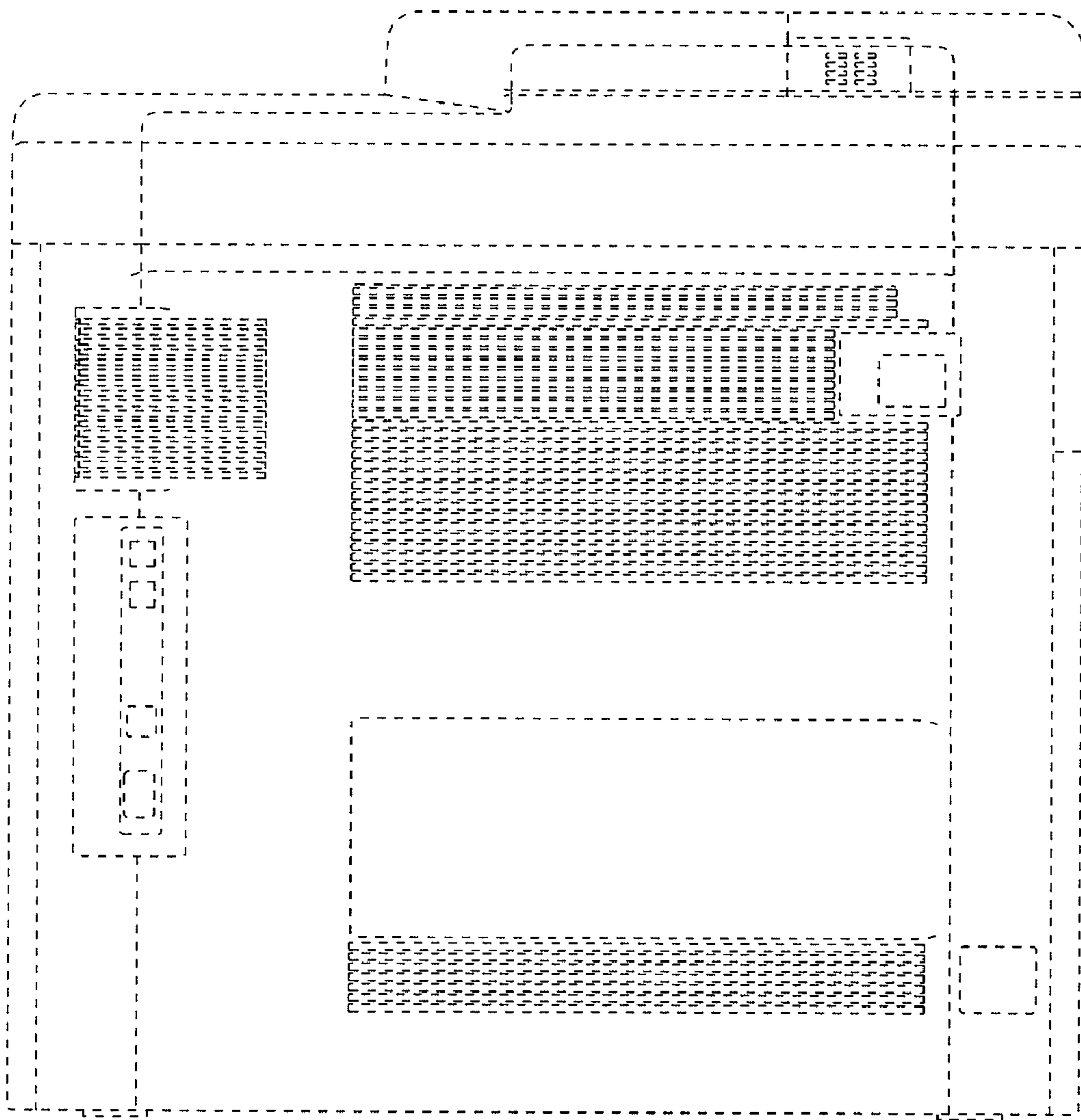


FIG.4

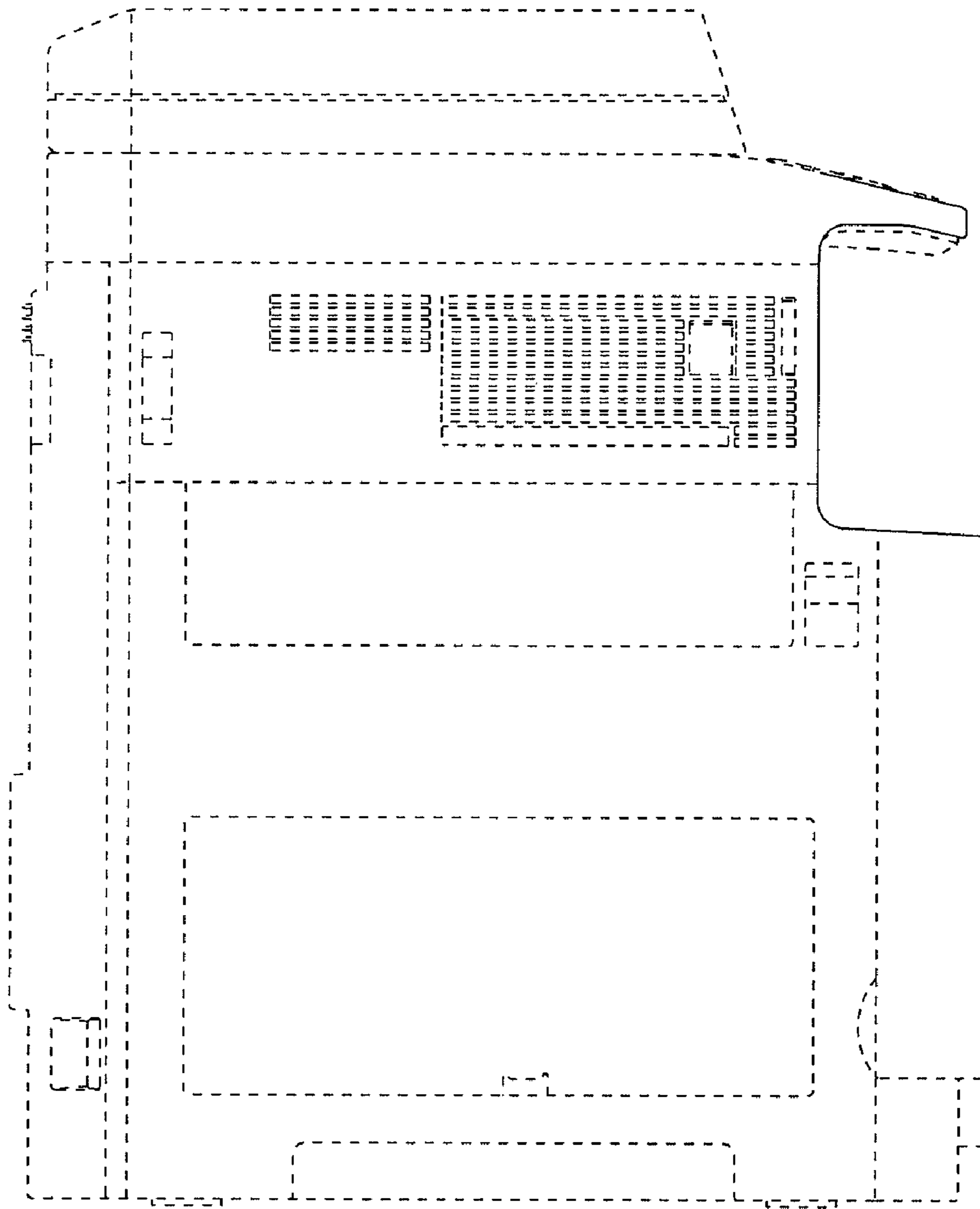


FIG.5

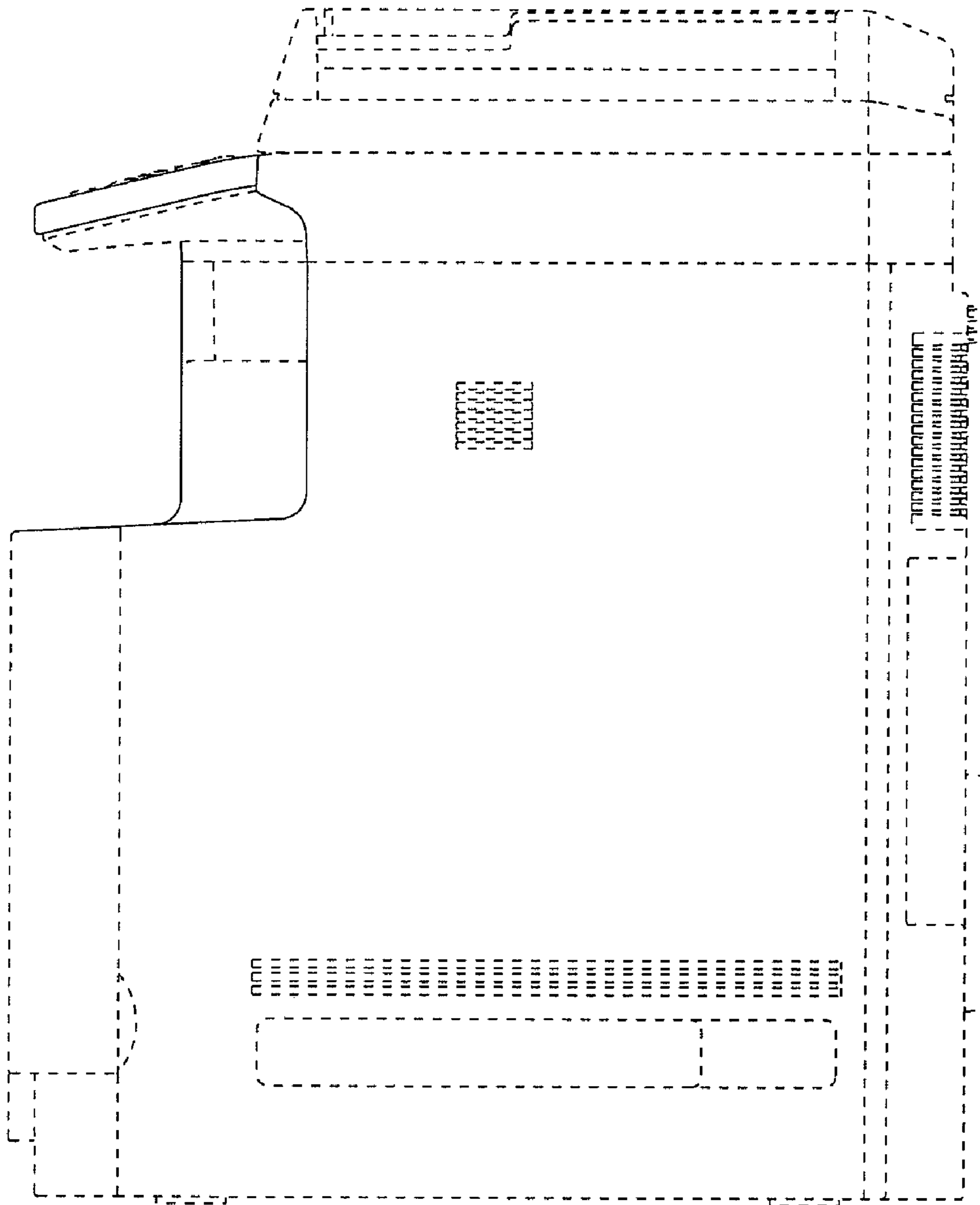


FIG.6

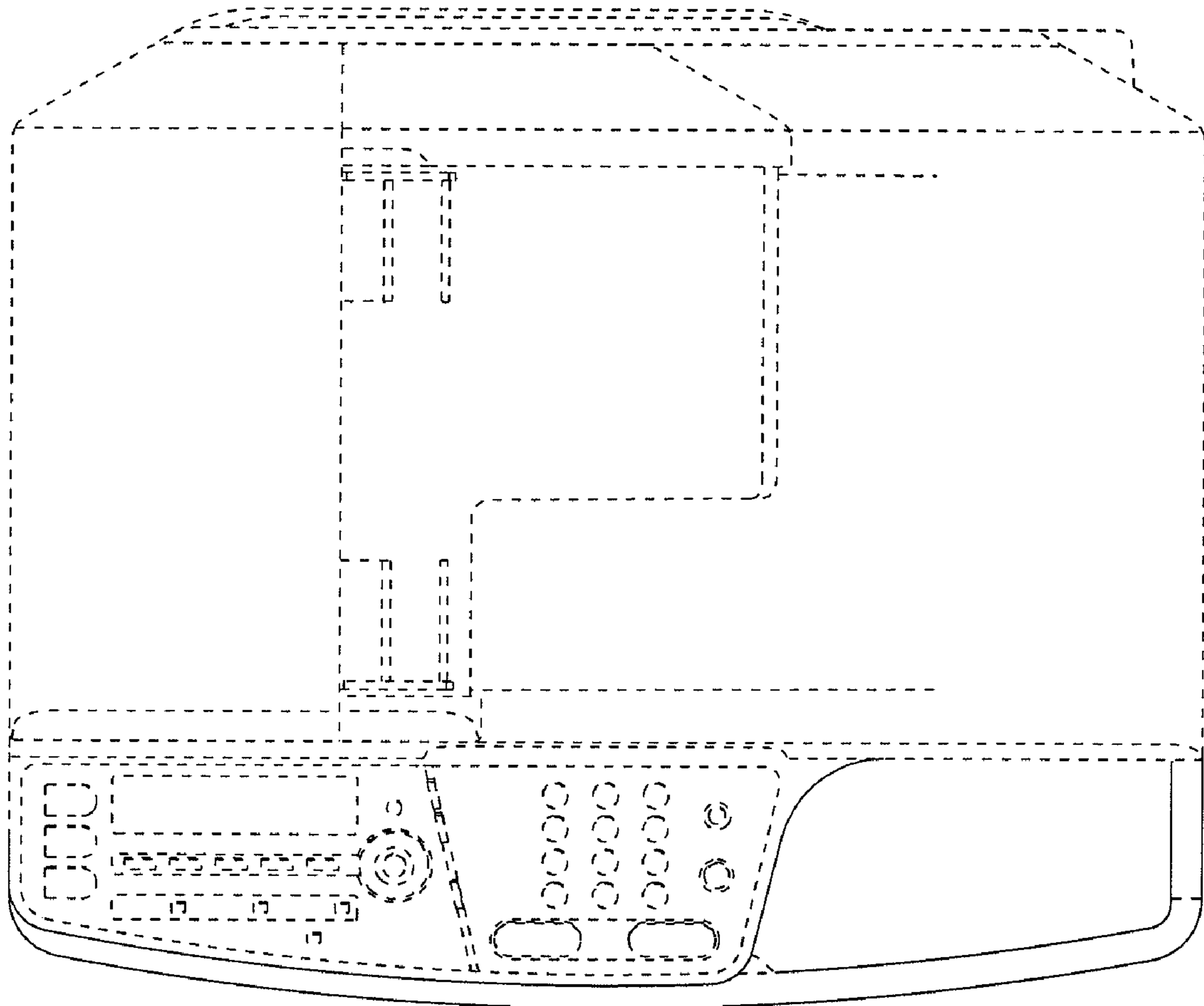


FIG.7

