



US00D584348S

(12) **United States Design Patent**
Boo et al.

(10) **Patent No.:** **US D584,348 S**
(45) **Date of Patent:** **** Jan. 6, 2009**

(54) **COLOR LASER PRINTER**
(75) Inventors: **Min-Hyoung Boo**, Seoul (KR); **Hee-Yul Kim**, Kyunggi-do (KR); **Byeong-Yong Song**, Kyunggi-do (KR); **Yun-Gi Hong**, Kyunggi-do (KR)
(73) Assignee: **Samsung Electronics Co., Ltd.**, Kyunggi-do (KR)
(**) Term: **14 Years**
(21) Appl. No.: **29/293,253**
(22) Filed: **Nov. 13, 2007**

D561,248 S 2/2008 Lee et al.
D562,886 S * 2/2008 Egami et al. D18/55
D573,178 S 7/2008 Lee et al.
D573,179 S 7/2008 Bae et al.

OTHER PUBLICATIONS

U.S. Appl. No. 29/291,996, Applicant: Gyeong-Sun Park, et al., filed Sep. 25, 2007 entitled Color Laser Complex.
U.S. Appl. No. 29/291,995, Applicant: Gyeong-Sun Park, et al., filed Sep. 25, 2007 entitled Copy Machine Attached by Function of Scanner and Printer.
U.S. Appl. No. 29/294,092, Applicant: Hee-Yul Kim, et al., filed Dec. 21, 2007 entitled Laser Printer.
U.S. Appl. No. 29/294,093, Applicant: Hee-Yul Kim, et al., filed Dec. 21, 2007 entitled Laser Printer.
U.S. Appl. No. 29/294,097, Applicant: Hee-Yul Kim, et al., filed Dec. 21, 2007 entitled Laser Printer.
U.S. Appl. No. 29/293,252, Applicant: Ji-Sang Park, et al., filed Nov. 13, 2007 entitled Color Laser Printer.
U.S. Appl. No. 29/293,228, Applicant: Son-Young Lee, et al., filed Nov. 9, 2007 entitled Copy Machine.

(51) **LOC (9) Cl.** **14-02**
(52) **U.S. Cl.** **D18/55**
(58) **Field of Classification Search** D18/36-39, D18/50, 54, 54.1, 55; D14/420-425, 462-470; 400/613, 613.1-613.4, 690.1-690.4, 691-694
See application file for complete search history.

(56) **References Cited**

U.S. PATENT DOCUMENTS

4,869,606 A * 9/1989 Lehmann et al. 400/693.1
D319,653 S * 9/1991 Reese D18/54
D325,598 S * 4/1992 Fukuda D18/55
D326,867 S 6/1992 Kwak
D337,609 S * 7/1993 Fukuda D18/55
D359,506 S 6/1995 Lee
D378,218 S 2/1997 Hong et al.
D386,519 S * 11/1997 Meschter et al. D18/55
6,612,763 B1 * 9/2003 Yoshihara 400/692
D520,055 S * 5/2006 Katayama D18/55
D521,060 S * 5/2006 Katayama D18/55
D523,897 S * 6/2006 Iue D18/54
D527,045 S 8/2006 Lim et al.
D530,737 S 10/2006 Lim et al.
D532,043 S 11/2006 Park et al.
D534,209 S * 12/2006 Yamaguchi D18/55
D536,372 S 2/2007 Lim et al.
D544,906 S * 6/2007 Alfonso et al. D18/55
D551,700 S 9/2007 Park et al.
D552,170 S 10/2007 Kim et al.
D554,698 S * 11/2007 Miller et al. D18/55
D555,195 S 11/2007 Park et al.
D555,722 S 11/2007 Bae et al.
D558,266 S * 12/2007 Falk et al. D18/55

* cited by examiner

Primary Examiner—Cathy Anne MacCormac
(74) *Attorney, Agent, or Firm*—Flynn, Thiel, Boutell & Tanis, P.C.

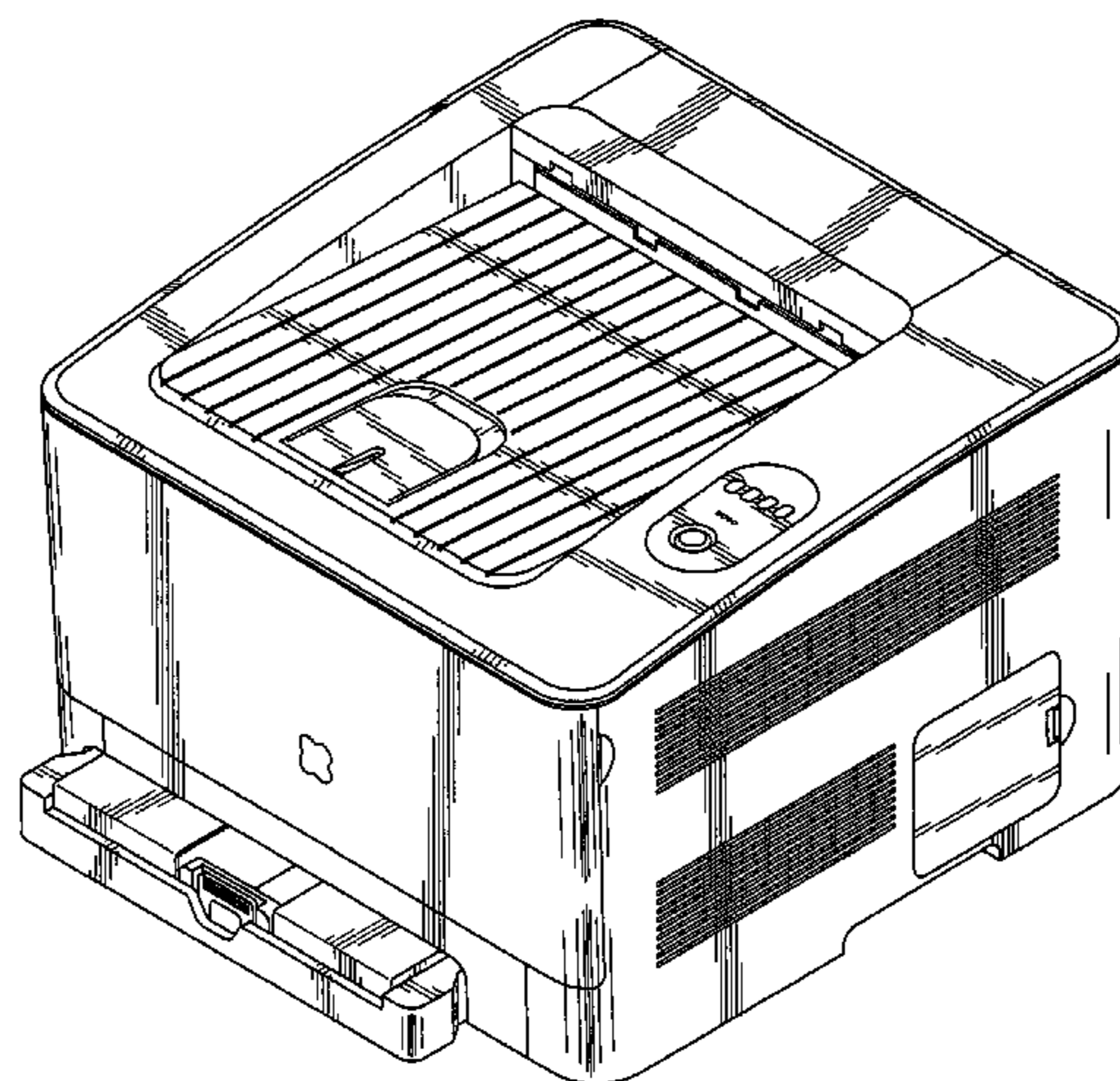
(57) **CLAIM**

The ornamental design for a color laser printer, as shown and described.

DESCRIPTION

FIG. 1 is a top front perspective view of a color laser printer showing our new design;
FIG. 2 is a front elevational view thereof;
FIG. 3 is a rear elevational view thereof;
FIG. 4 is a left side elevational view thereof;
FIG. 5 is a right side elevational view thereof;
FIG. 6 is a top plan view thereof; and,
FIG. 7 is a bottom plan view thereof.

1 Claim, 5 Drawing Sheets



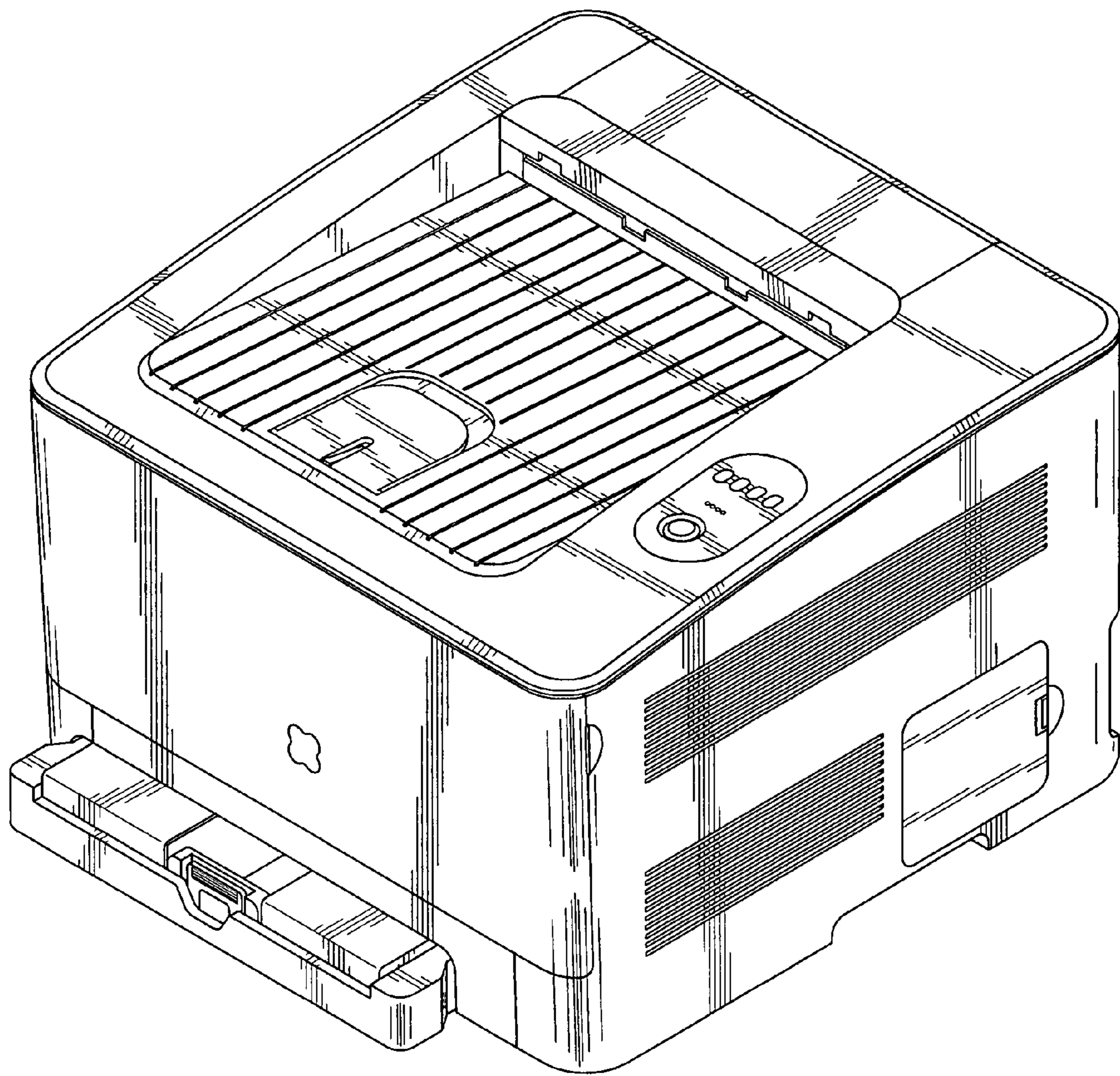


FIG. 1

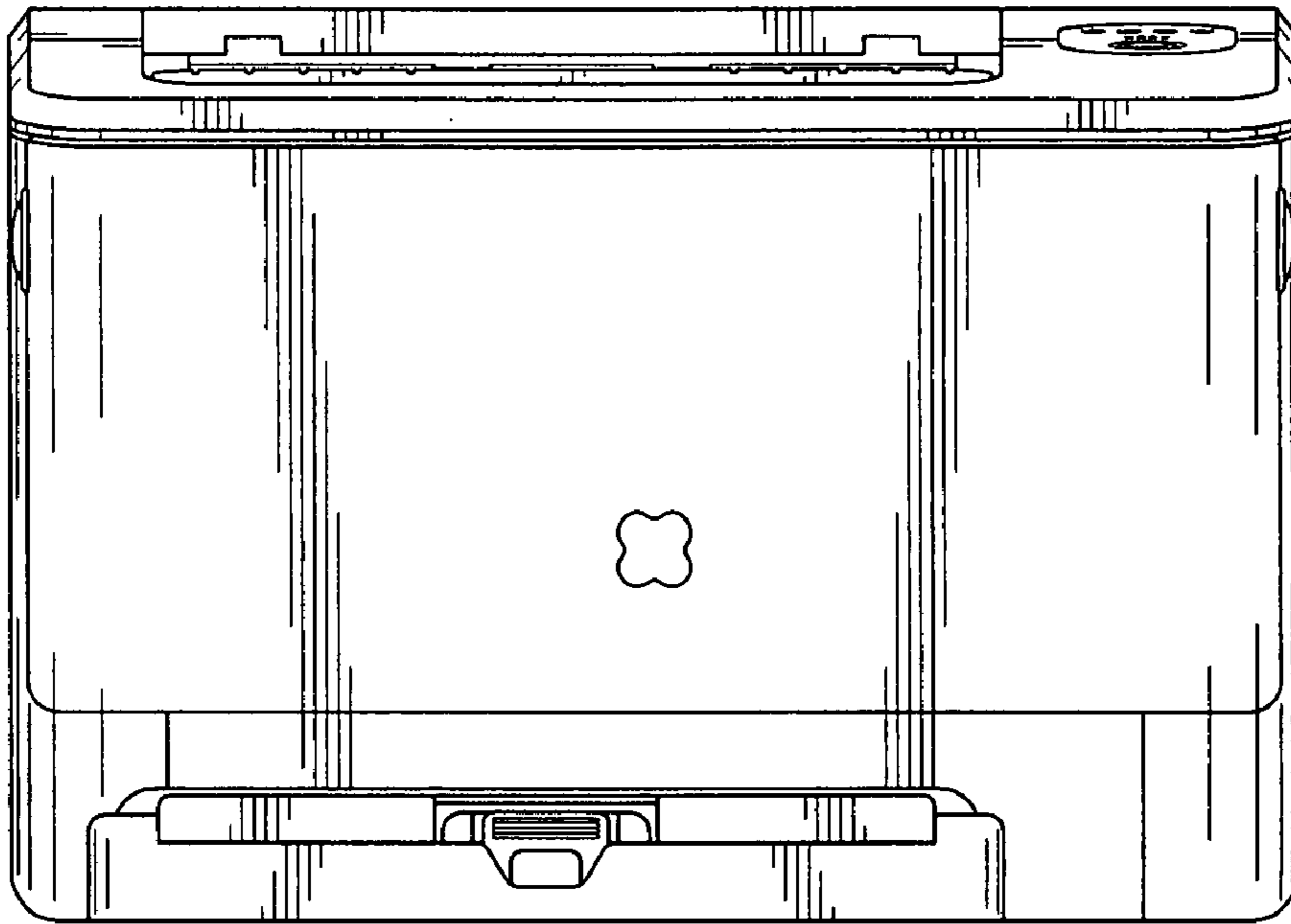


FIG. 2

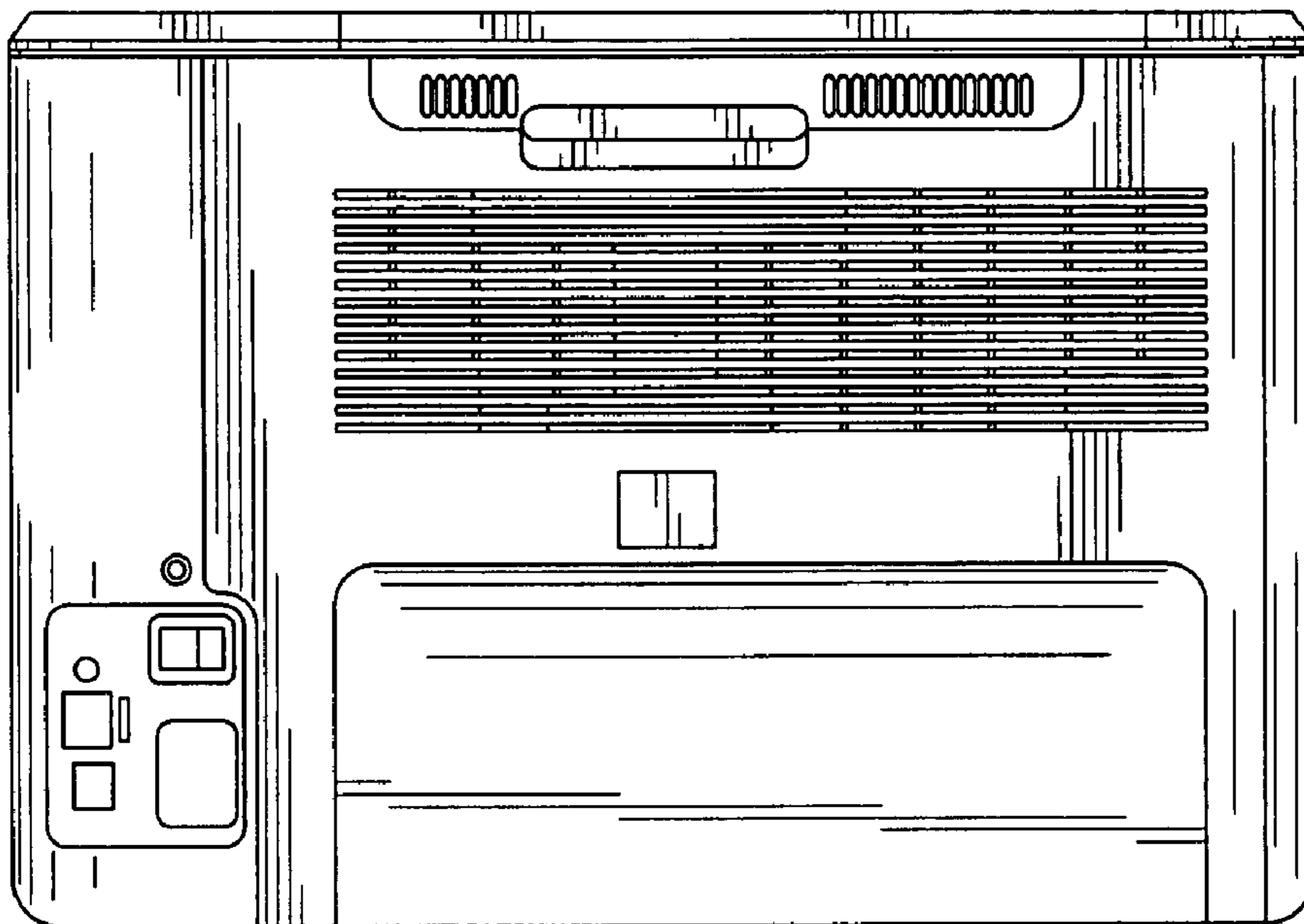


FIG. 3

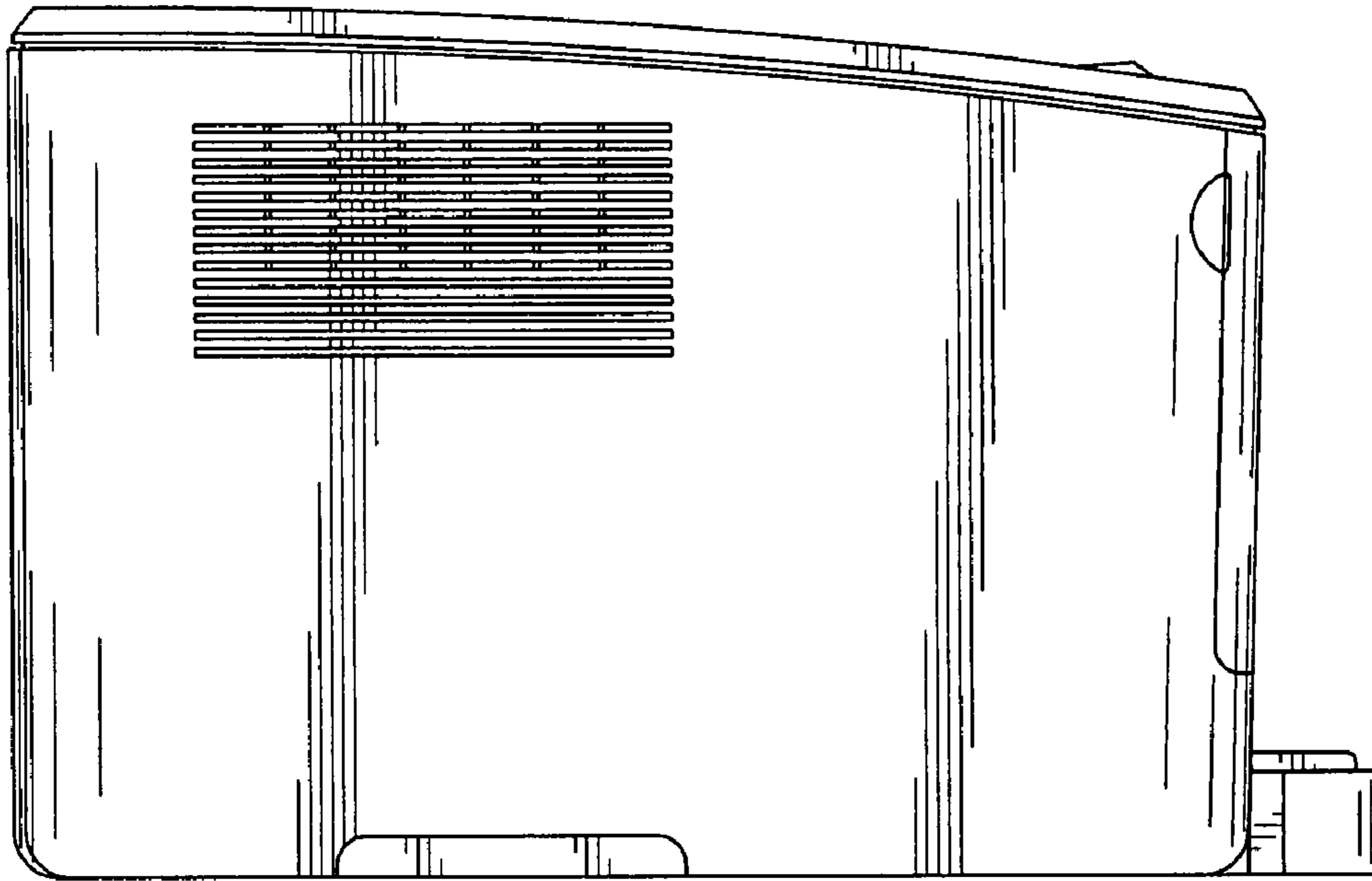


FIG. 4

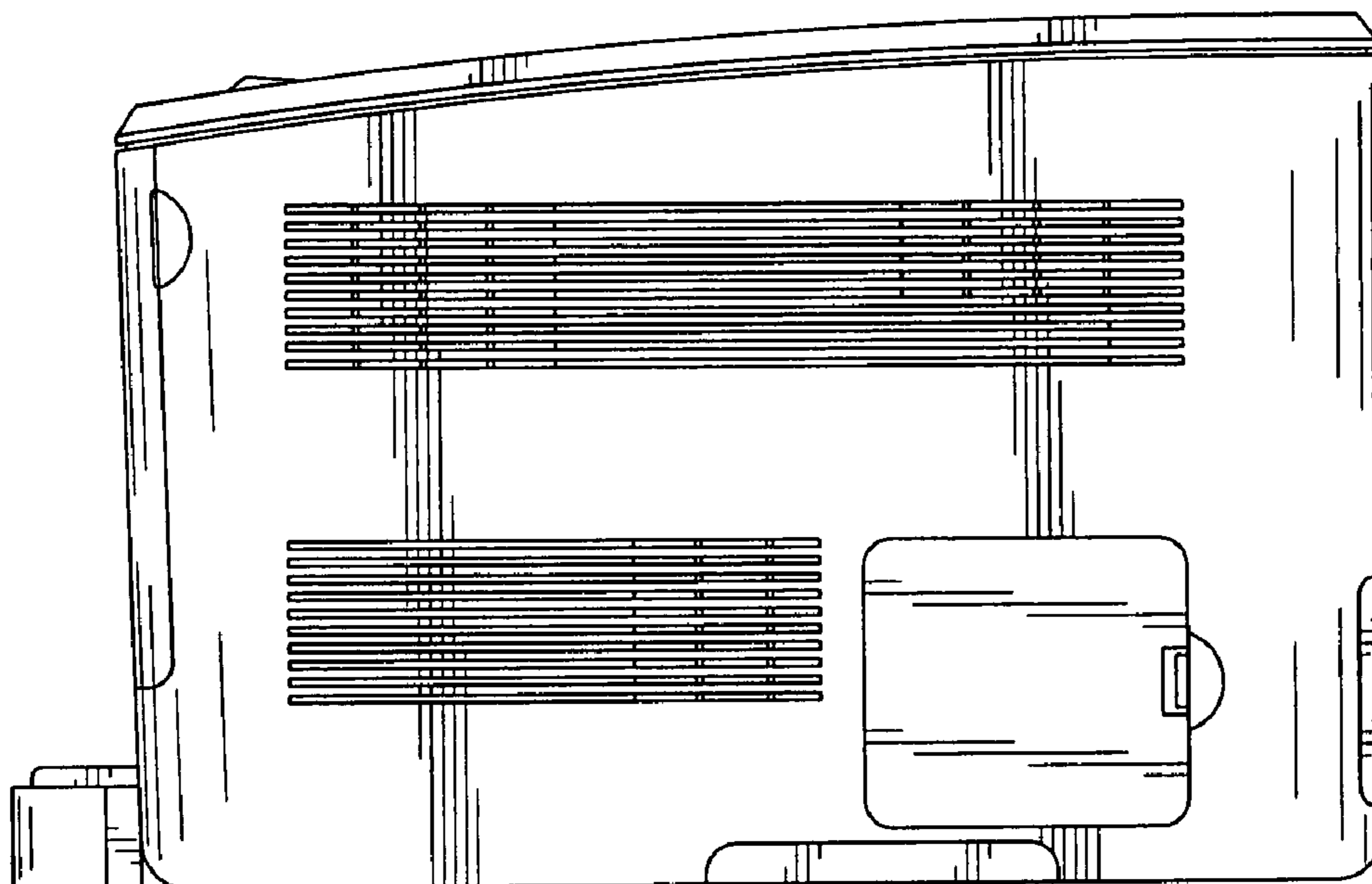


FIG. 5

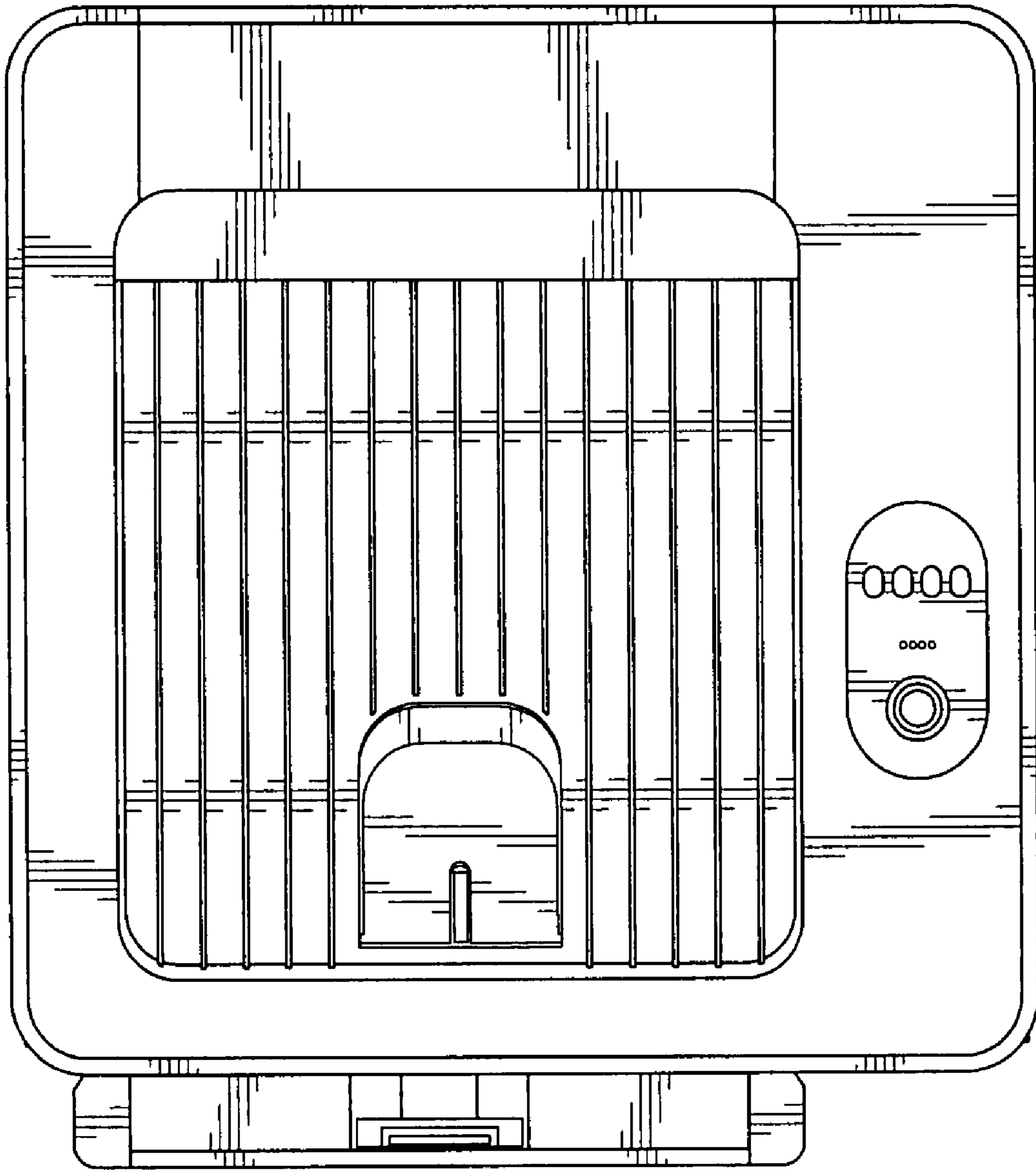


FIG. 6

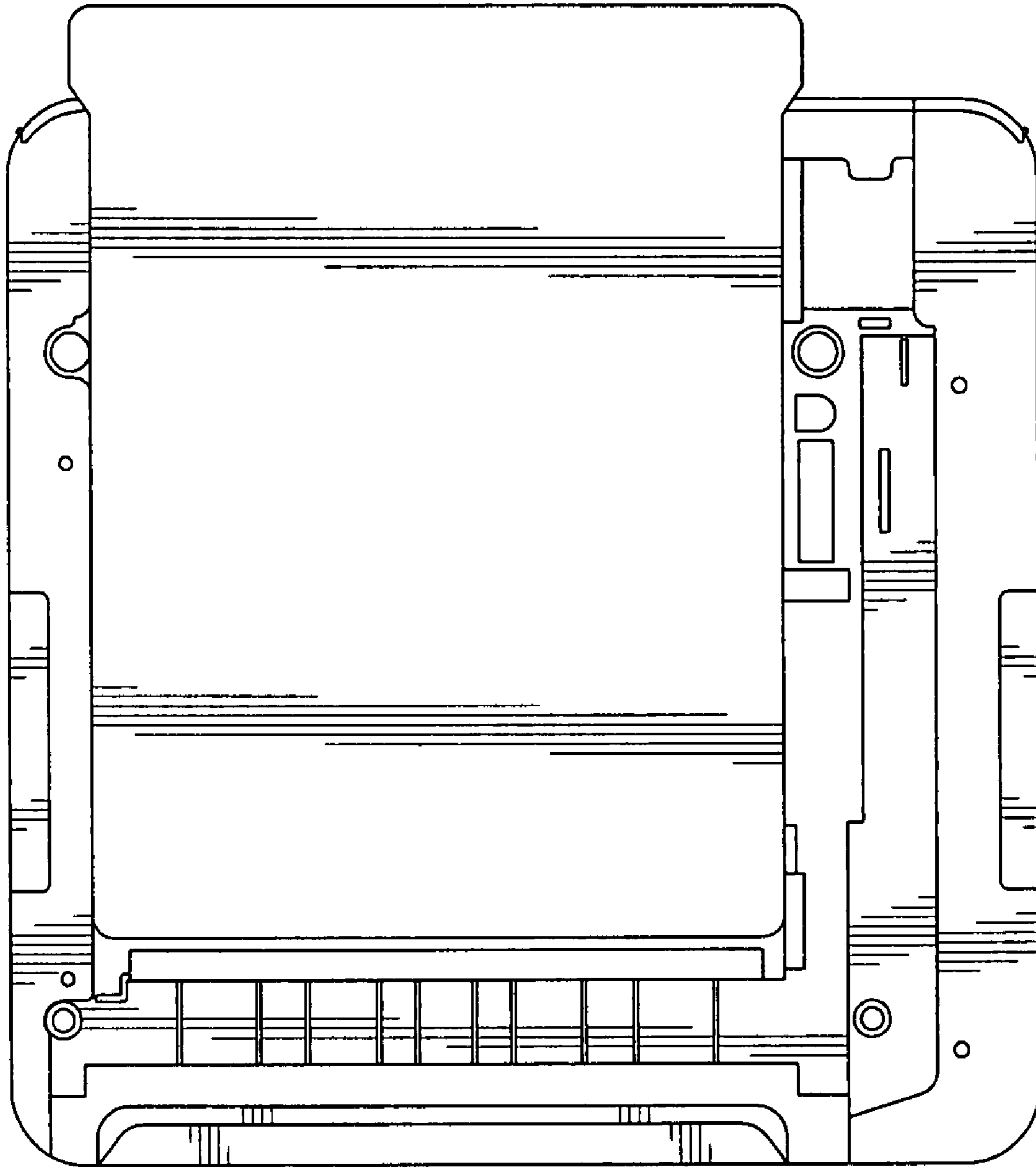


FIG. 7