



US00D584346S

(12) **United States Design Patent**
Sumi

(10) **Patent No.:** **US D584,346 S**
(45) **Date of Patent:** **** Jan. 6, 2009**

(54) **PRINTER**

(75) Inventor: **Hiroyuki Sumi**, Kadoma (JP)

(73) Assignee: **Panasonic Corporation**, Osaka (JP)

(**) Term: **14 Years**

(21) Appl. No.: **29/298,518**

(22) Filed: **Dec. 6, 2007**

(51) **LOC (9) Cl.** **14-02**

(52) **U.S. Cl.** **D18/50**

(58) **Field of Classification Search** D18/36-39,
D18/50, 54, 54.1, 55; D14/420-425, 462-470;
400/613, 613.1-613.4, 690.1-690.4, 691-694
See application file for complete search history.

(56) **References Cited**

U.S. PATENT DOCUMENTS

D290,959 S *	7/1987	Ooie	D14/462
D323,344 S *	1/1992	Umino et al.	D18/54
D332,258 S *	1/1993	Urushihara et al.	D14/464
D338,271 S *	8/1993	Yoshikawa et al.	D18/50
D339,157 S *	9/1993	Miyamoto et al.	D18/50
D353,154 S *	12/1994	Suzuki	D18/50
D374,888 S *	10/1996	Udagawa	D18/50
D444,811 S	7/2001	Yamamoto		
D456,443 S *	4/2002	Igarashi	D18/50
D466,551 S	12/2002	Nagai		
D514,574 S *	2/2006	Yanagisawa et al.	D14/420
D519,549 S	4/2006	Tanio		
D533,585 S	12/2006	Park et al.		
D535,324 S	1/2007	Park et al.		
D540,852 S	4/2007	Huang et al.		

D541,332 S	4/2007	Tsuchiya		
D548,777 S *	8/2007	Matsumoto et al.	D18/55
D558,821 S *	1/2008	Smith et al.	D18/55
D558,822 S *	1/2008	Smith et al.	D18/55
2002/0181030 A1 *	12/2002	Khovaylo et al.	358/494

* cited by examiner

Primary Examiner—Cathy Anne MacCormac

(74) *Attorney, Agent, or Firm*—Brinks Hofer Gilson & Lione

(57) **CLAIM**

I claim the ornamental design for a printer, as shown and described.

DESCRIPTION

FIG. 1 is a front perspective view of a printer of the present invention;

FIG. 2 is a front view thereof;

FIG. 3 is a top view thereof;

FIG. 4 is a first side view thereof;

FIG. 5 is a second side view thereof;

FIG. 6 is a rear view thereof;

FIG. 7 is a bottom view thereof;

FIG. 8 is a rear perspective view thereof; and,

FIG. 9 is a front perspective view thereof shown in an opened position.

The broken line showing of printer is included for the purpose of illustrating environment and forms no part of the claimed design.

1 Claim, 9 Drawing Sheets

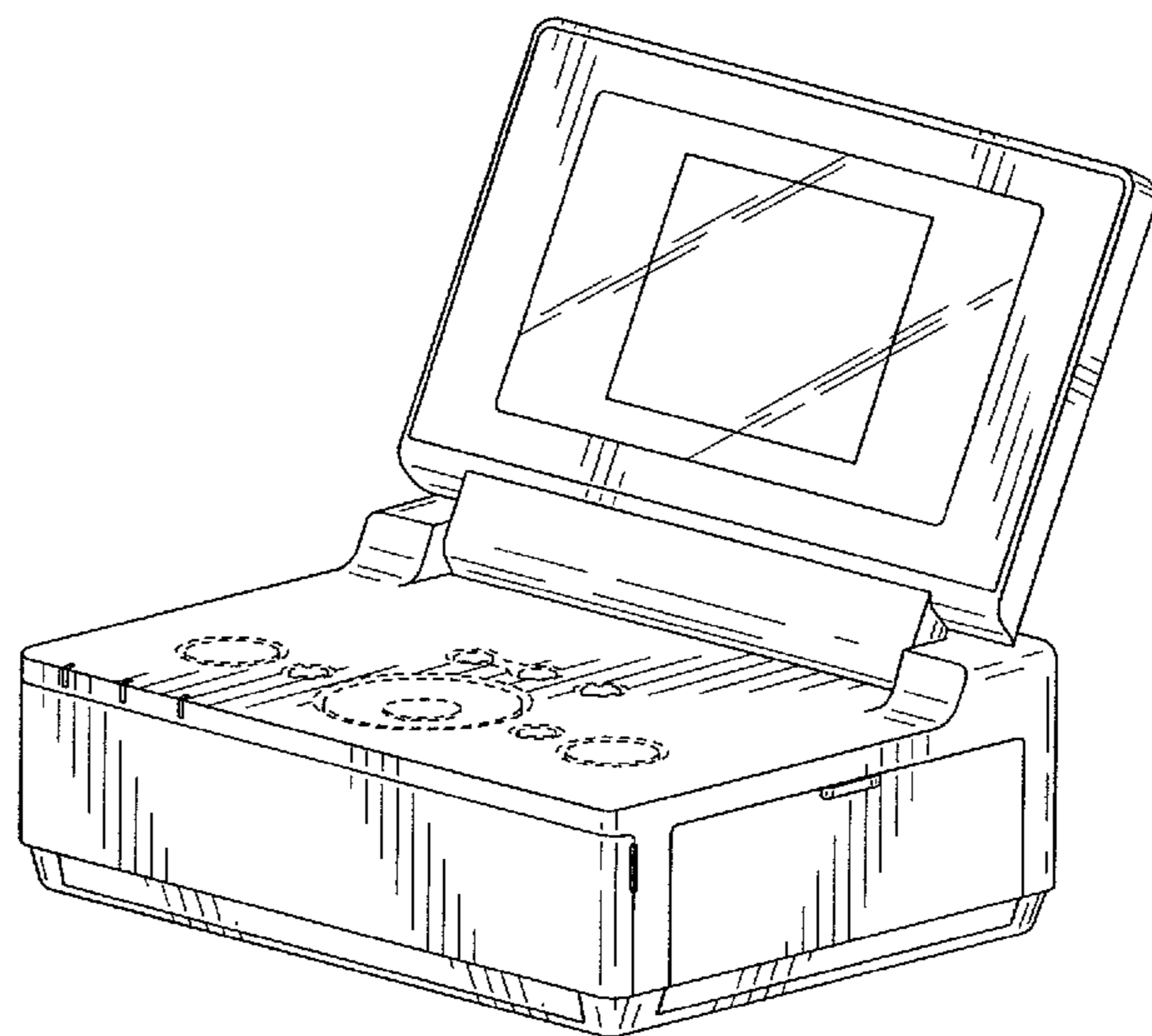
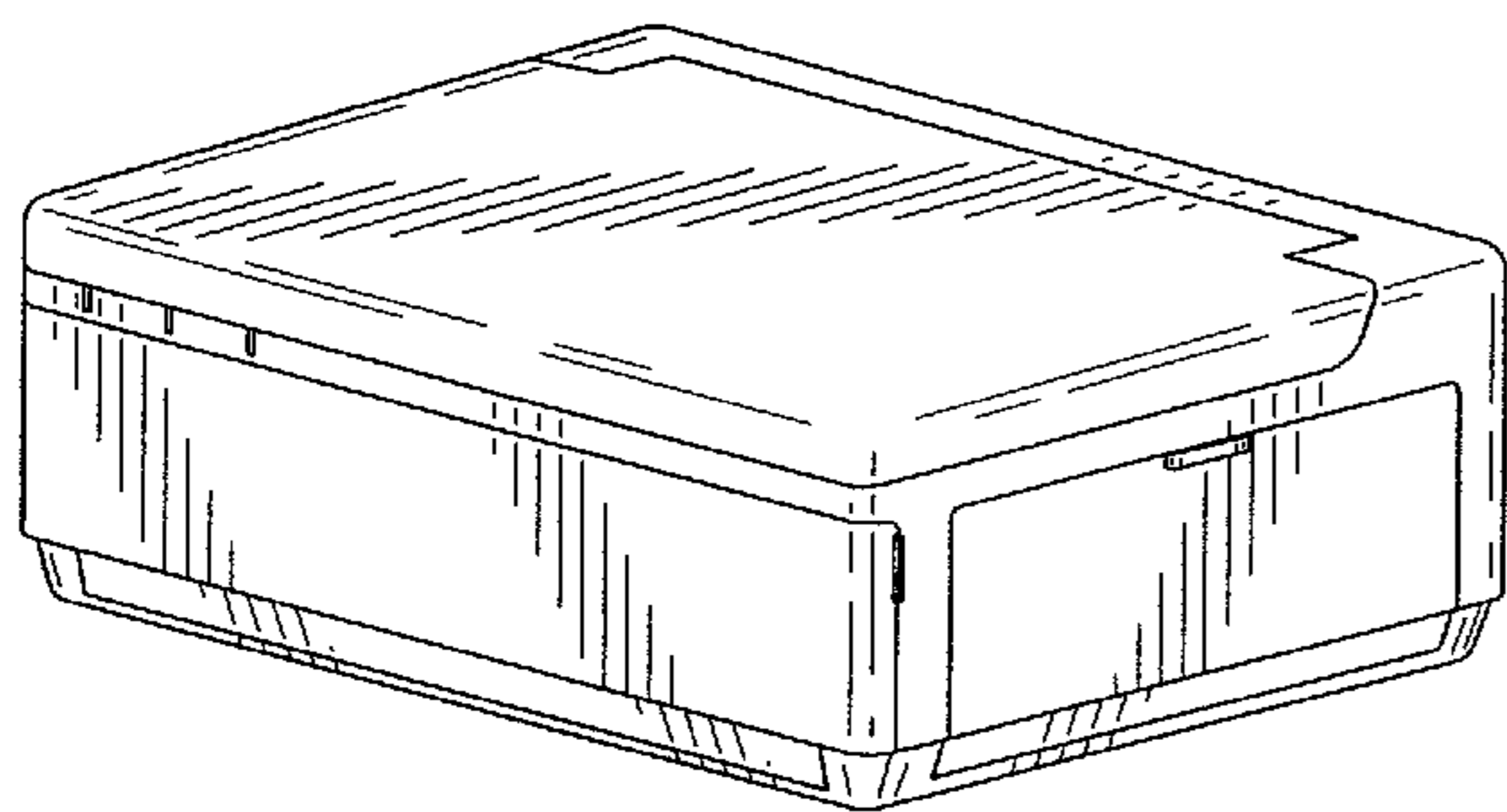


FIG.1

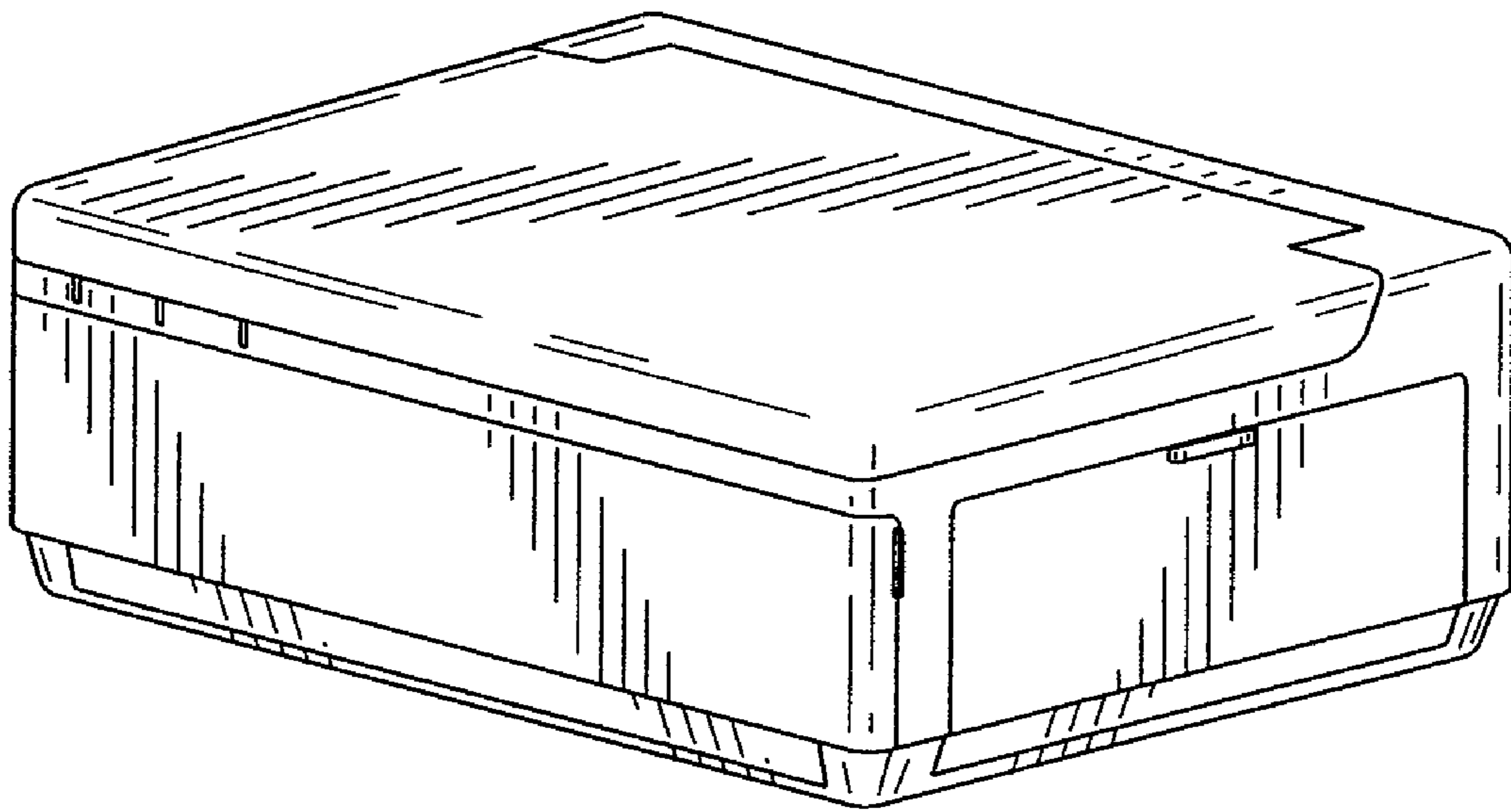


FIG. 2

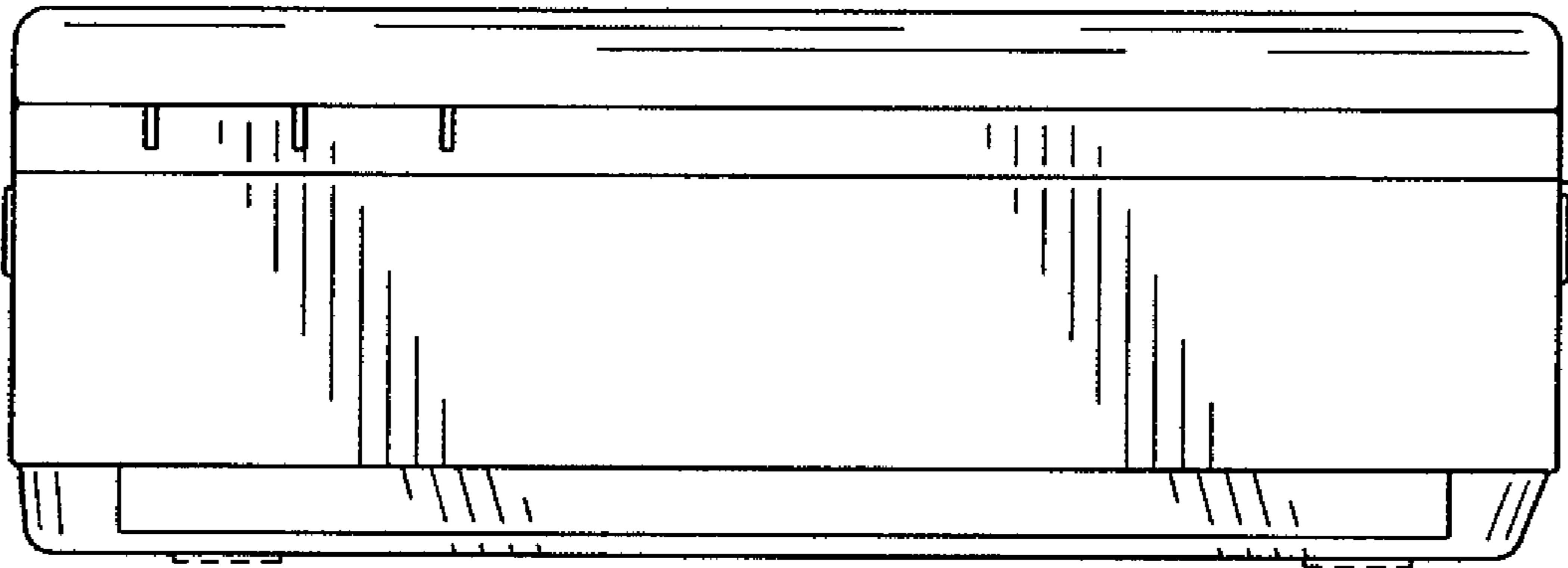


FIG. 3

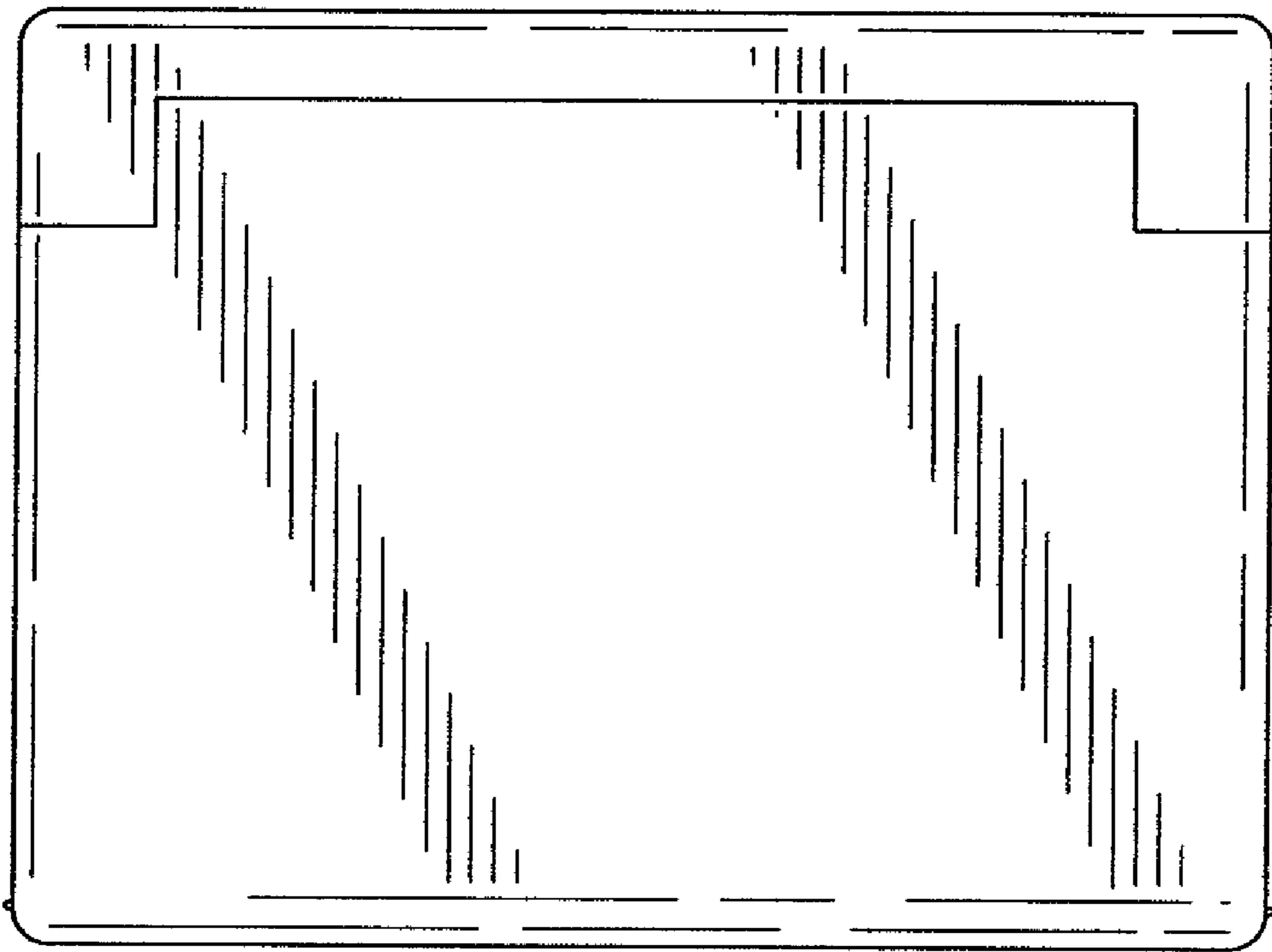


FIG. 4

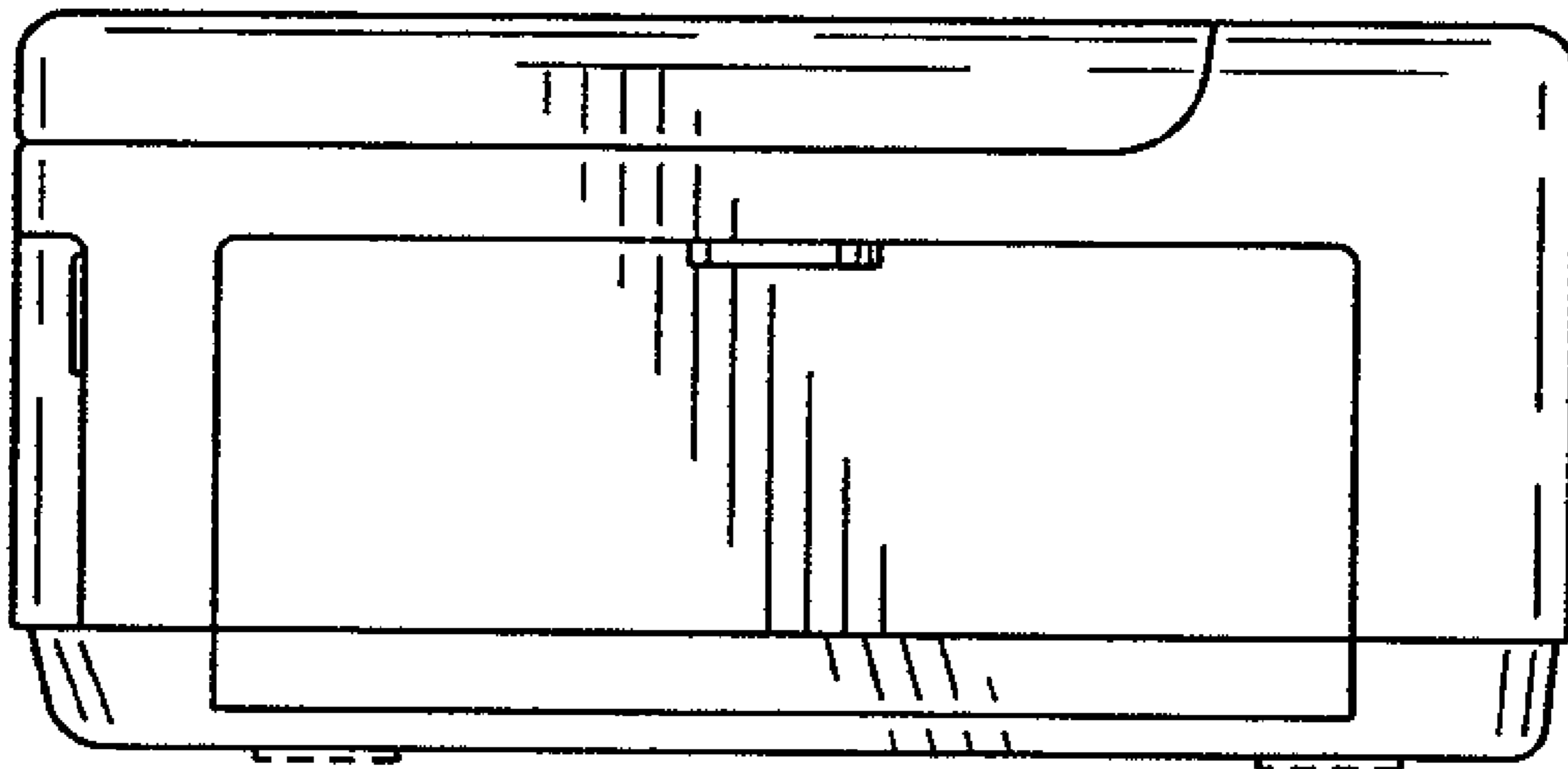


FIG. 5

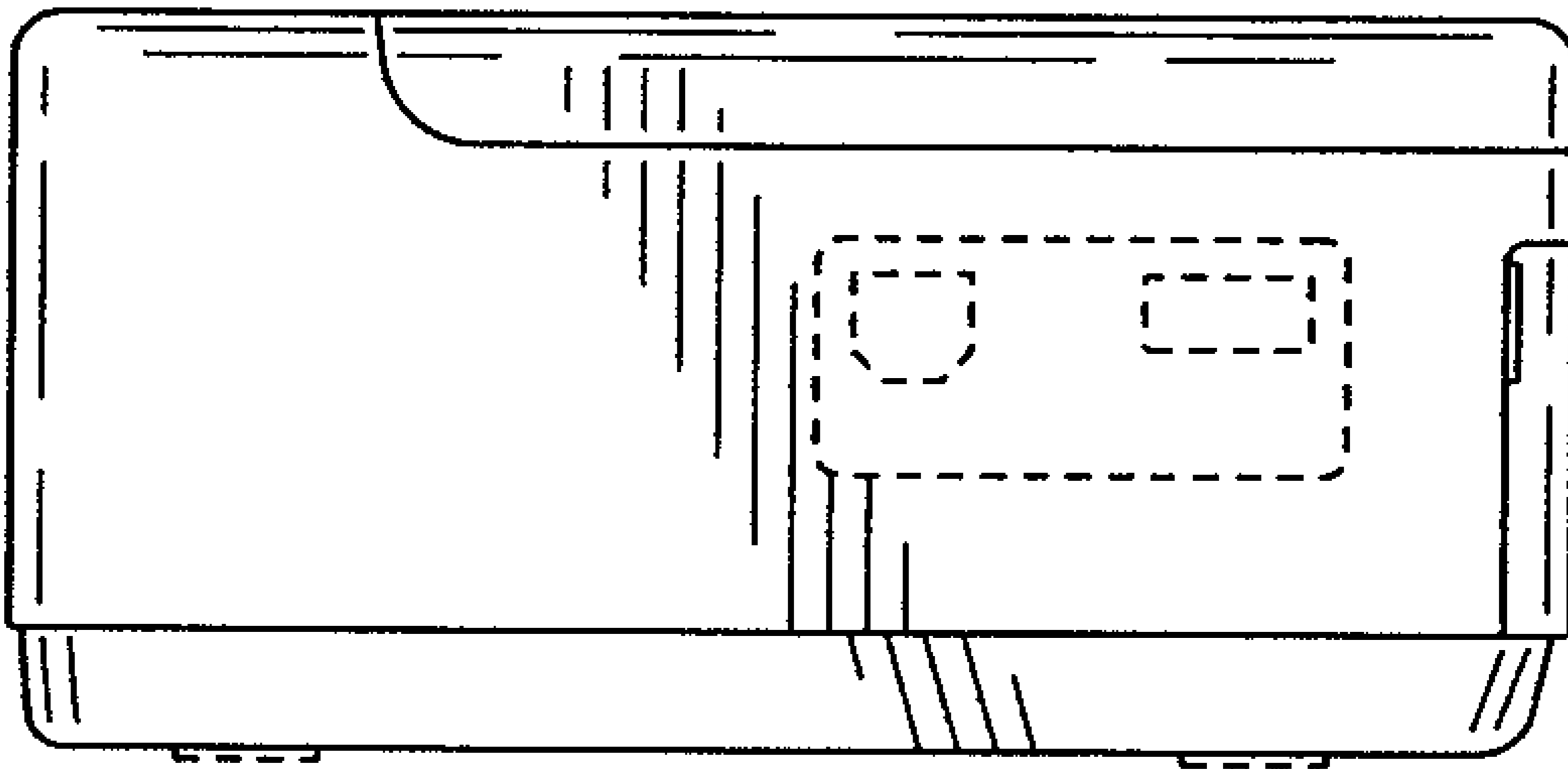


FIG. 6

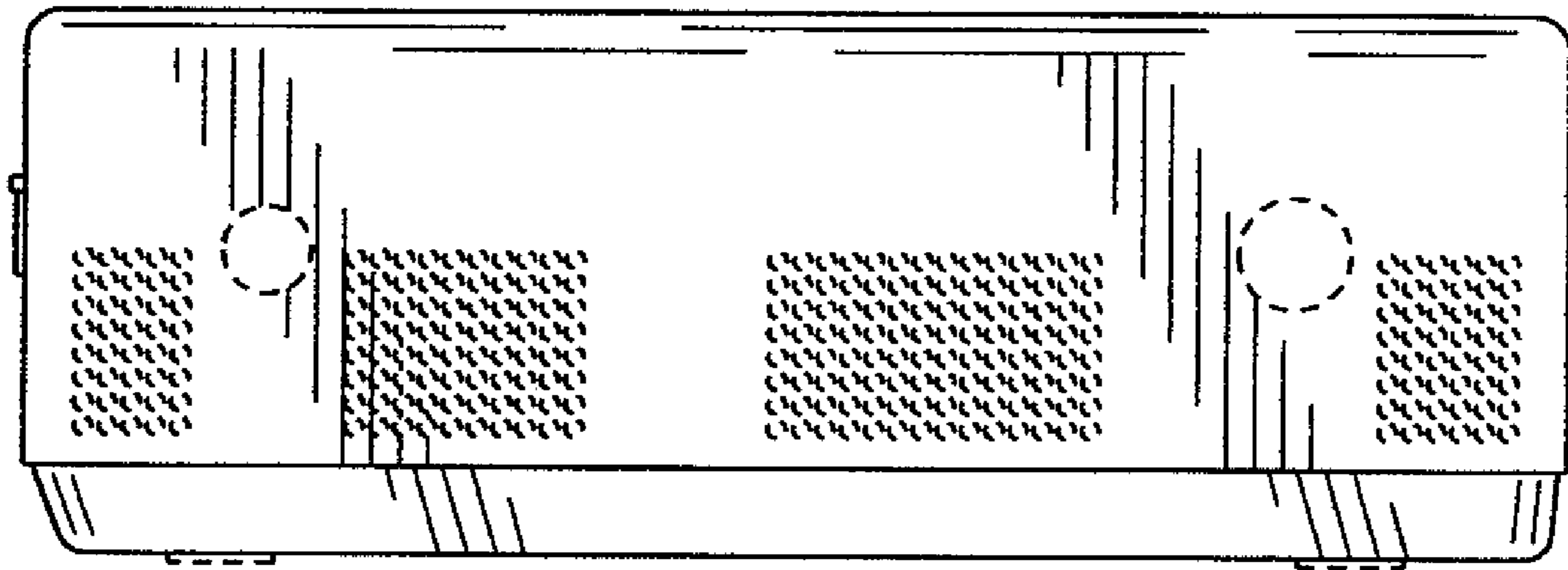


FIG. 7

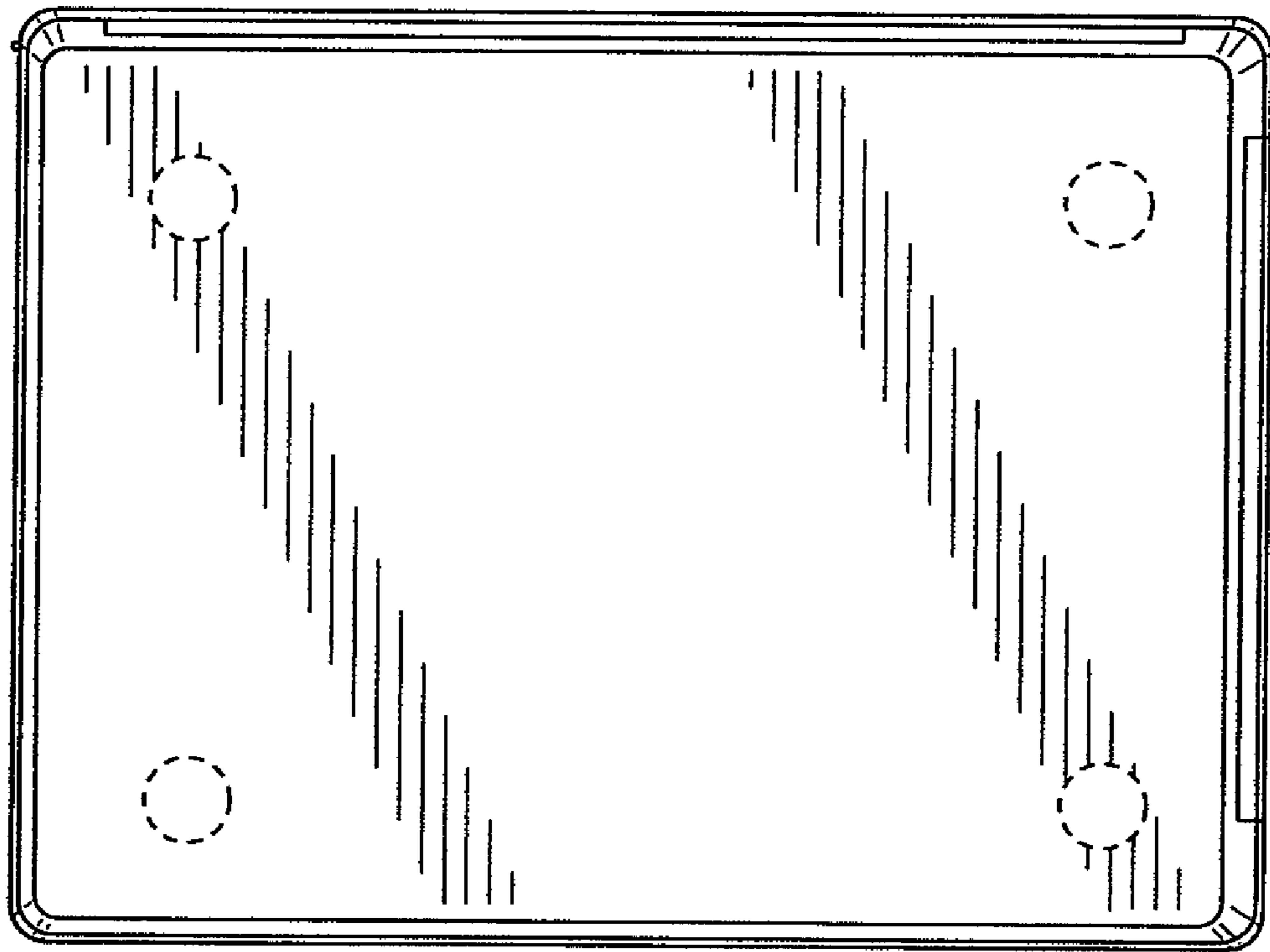


FIG. 8

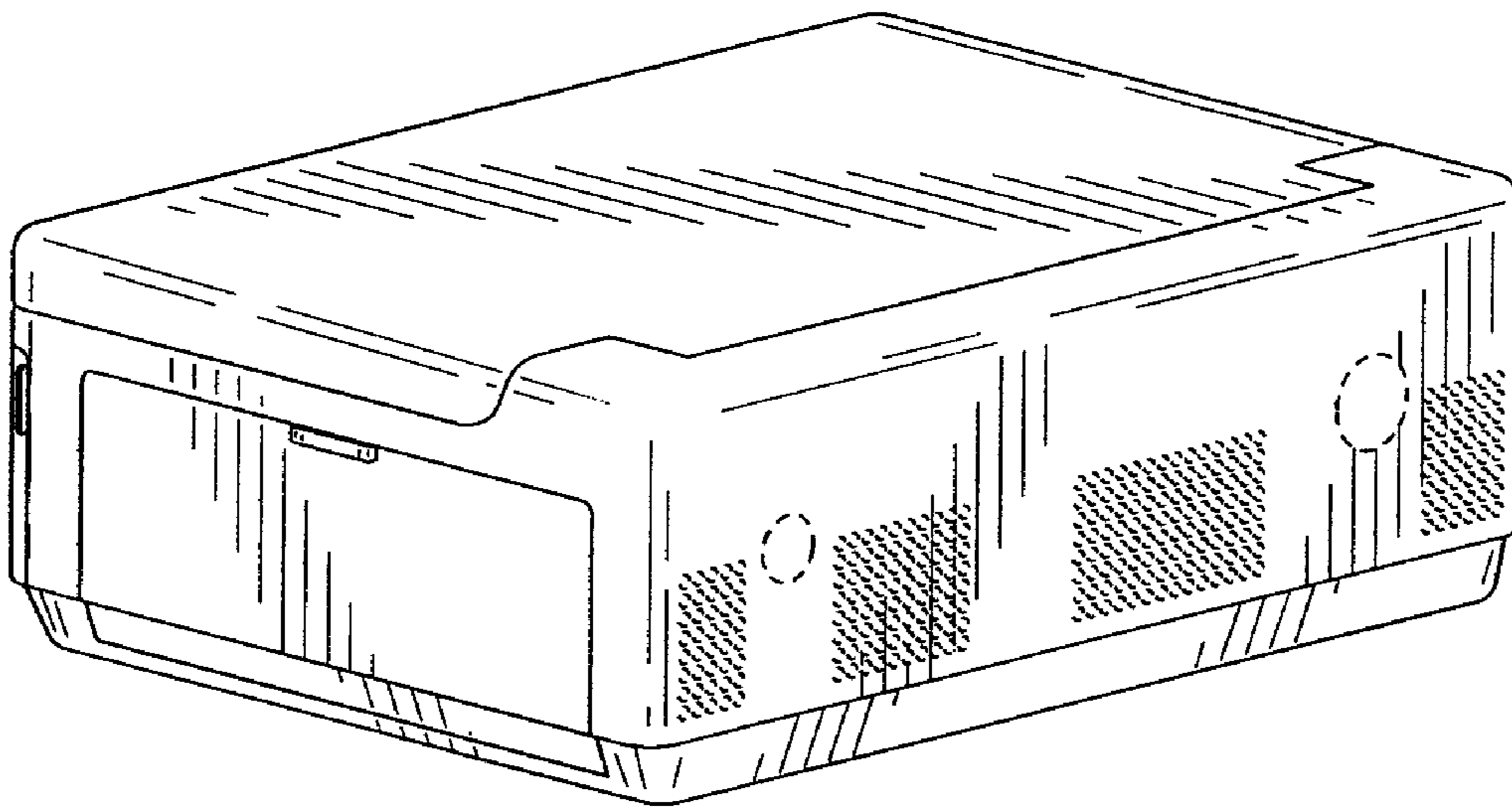


FIG.9

