



US00D584345S

(12) **United States Design Patent**
Choi et al.

(10) **Patent No.:** **US D584,345 S**
(45) **Date of Patent:** **** Jan. 6, 2009**

(54) **DEVELOPING DEVICE FOR LASER PRINTER**

(75) Inventors: **Jai-II Choi**, Kyunggi-do (KR);
Sang-Hun Lee, Kyunggi-do (KR)

(73) Assignee: **Samsung Electronics Co., Ltd.**, Suwon,
Kyunggi-Do (KR)

(**) Term: **14 Years**

(21) Appl. No.: **29/294,095**

(22) Filed: **Dec. 21, 2007**

(51) **LOC (9) Cl.** **16-03**

(52) **U.S. Cl.** **D18/43**

(58) **Field of Classification Search** D14/471;
D18/12, 36-40, 43, 44, 46-49, 56; 222/DIG. 1;
347/197, 222; 399/24-28, 107-112, 119,
399/121, 122, 222-224

See application file for complete search history.

(56) **References Cited**

U.S. PATENT DOCUMENTS

D362,677 S *	9/1995	Ishibashi et al.	D18/43
D378,830 S	4/1997	Kim	
D433,441 S *	11/2000	Yonekawa et al.	D18/43
D460,980 S *	7/2002	Matsuzaki et al.	D18/40
D539,335 S *	3/2007	Jeon et al.	D18/43
D544,528 S	6/2007	Kim	
D546,382 S	7/2007	Noh et al.	
D547,368 S	7/2007	Han	
D551,286 S	9/2007	Han	
D555,193 S	11/2007	Choi	
D555,717 S *	11/2007	Batori et al.	D18/43
D565,094 S *	3/2008	Sasaki et al.	D18/43
7,346,291 B2 *	3/2008	Kim et al.	399/103

OTHER PUBLICATIONS

U.S. Appl. No. 29/270,054, Applicant: Se-II Kwon, filed Dec. 13, 2006 entitled Cartridge for Laser Compound Device.

U.S. Appl. No. 29/270,051, Applicant: Jong-Hyun Park, filed Dec. 13, 2006 entitled Toner Cartridge.

U.S. Appl. No. 29/291,994, Applicant: Min-Su Han, filed Sep. 25, 2007 entitled Development Device for Laser Printer.

U.S. Appl. No. 29/292,077, Applicant: Gyeong-Sun Park, et al., filed Sep. 27, 2007 entitled Development Device for Laser Printer.

U.S. Appl. No. 29/292,095, Applicant: Gyeong-Sun Park, et al., filed Sep. 27, 2007 entitled Toner Cartridge.

U.S. Appl. No. 29/292,073, Applicant: Gyeong-Sun Park, et al., filed Sep. 27, 2007 entitled Toner Cartridge.

U.S. Appl. No. 29/292,075, Applicant: Gyeong-Sun Park, et al., filed Sep. 27, 2007 entitled Toner Cartridge.

U.S. Appl. No. 29/294,096, Applicant: Myoung-Su Baek, et al., filed Dec. 21, 2007 entitled Cartridge for Image Developing Device.

* cited by examiner

Primary Examiner—Caron Veynar

Assistant Examiner—Garth Rademaker

(74) *Attorney, Agent, or Firm*—Flynn, Thiel, Boutell & Tanis, P.C.

(57) **CLAIM**

The ornamental design for a developing device for laser printer, as shown and described.

DESCRIPTION

FIG. 1 is a top front perspective view of a developing device for laser printer showing our new design;

FIG. 2 is a front elevational view thereof;

FIG. 3 is a rear elevational view thereof;

FIG. 4 is a left side elevational view thereof;

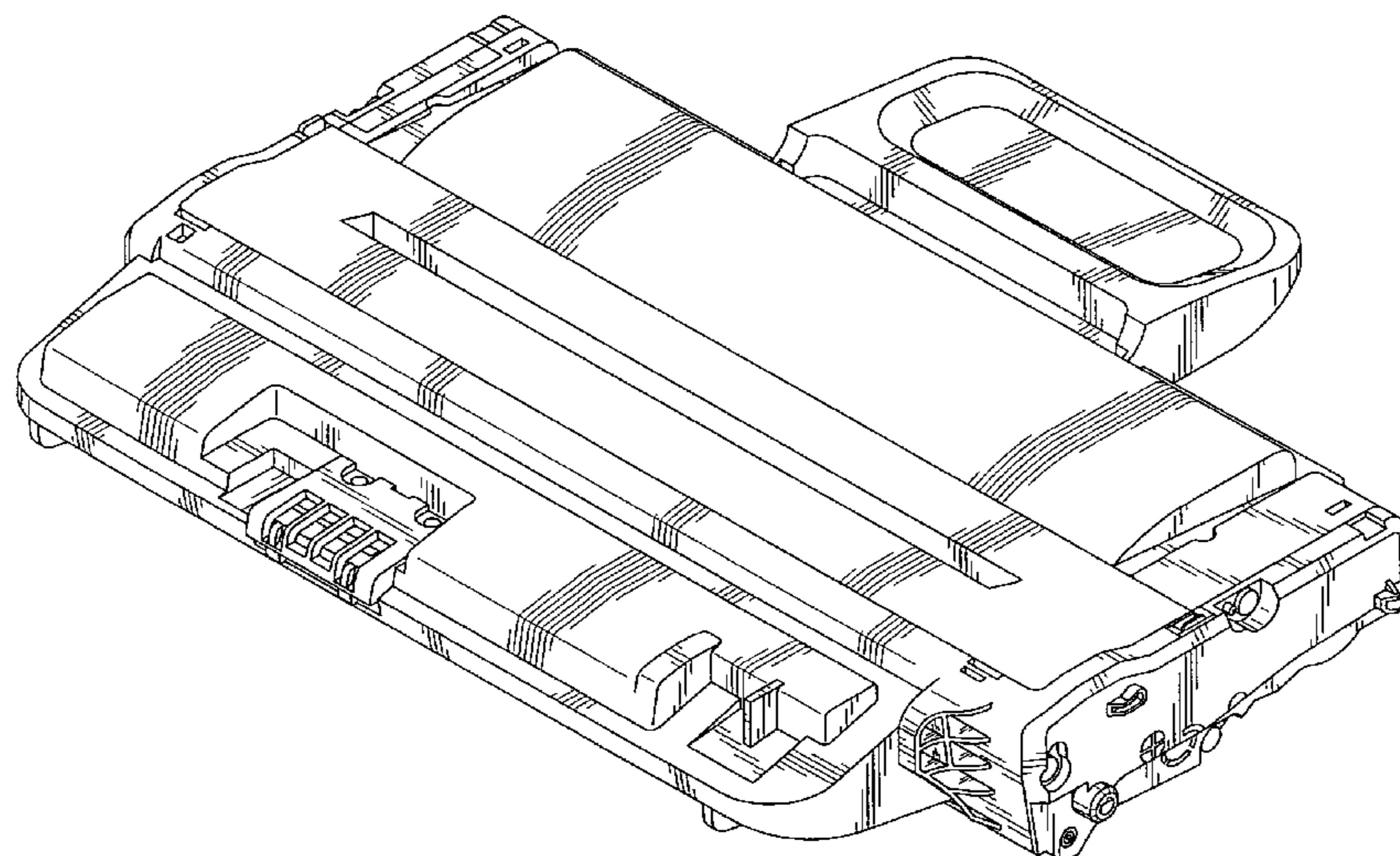
FIG. 5 is a right side elevational view thereof;

FIG. 6 is a top plan view thereof; and,

FIG. 7 is a bottom plan view thereof.

The broken lines depict environmental subject matter only and form no part of the claimed design.

1 Claim, 5 Drawing Sheets



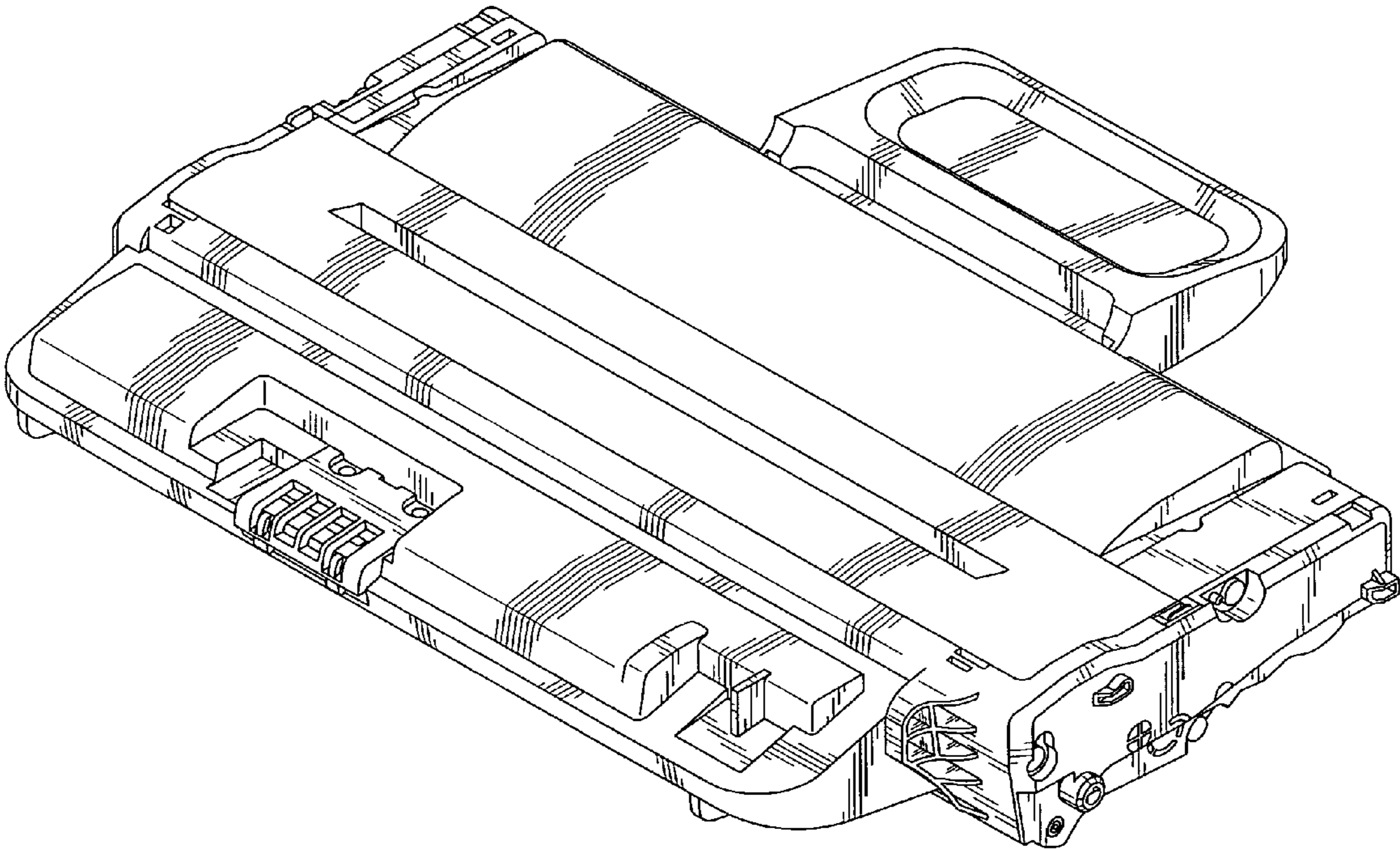


FIG. 1

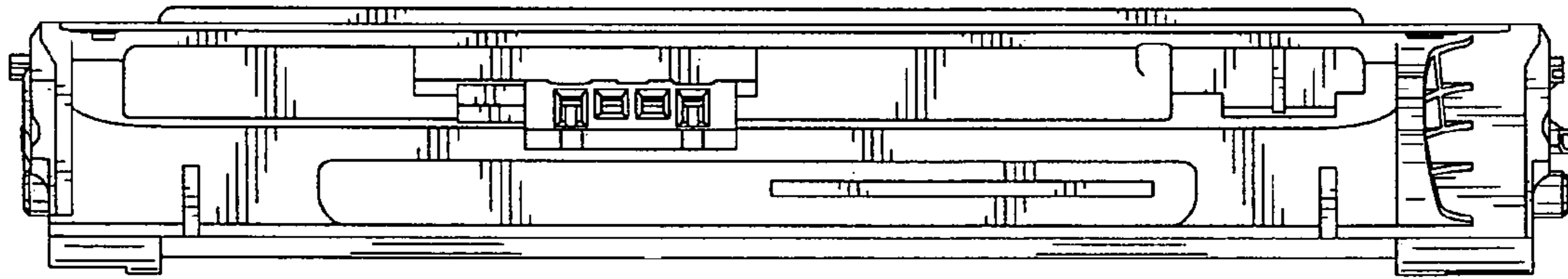


FIG. 2

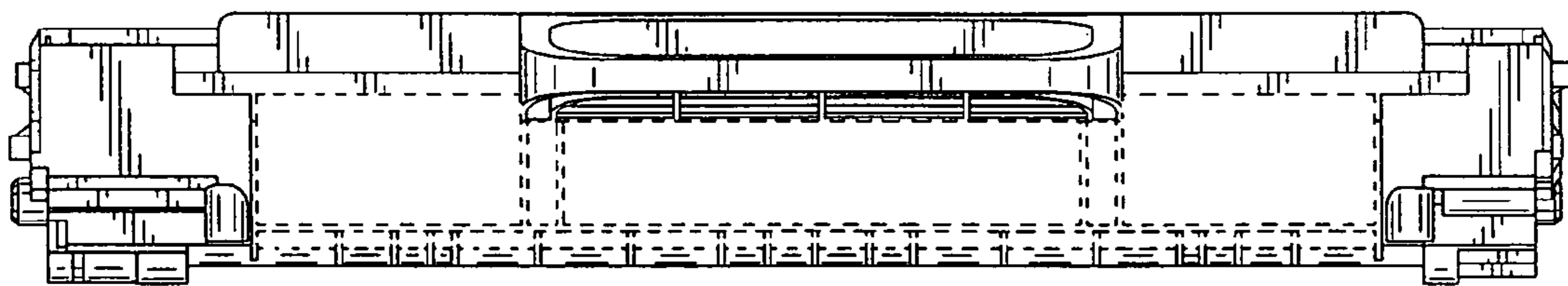


FIG. 3

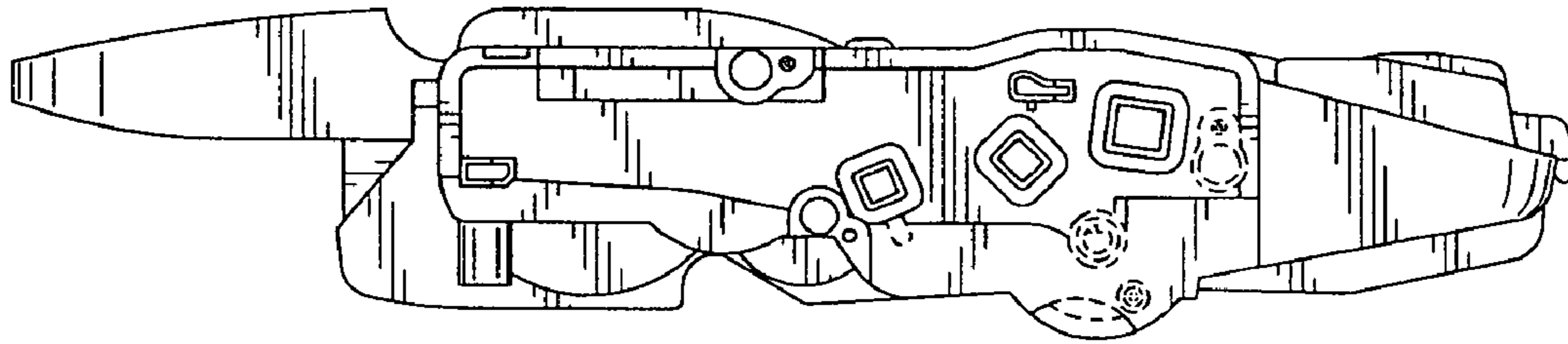


FIG. 4

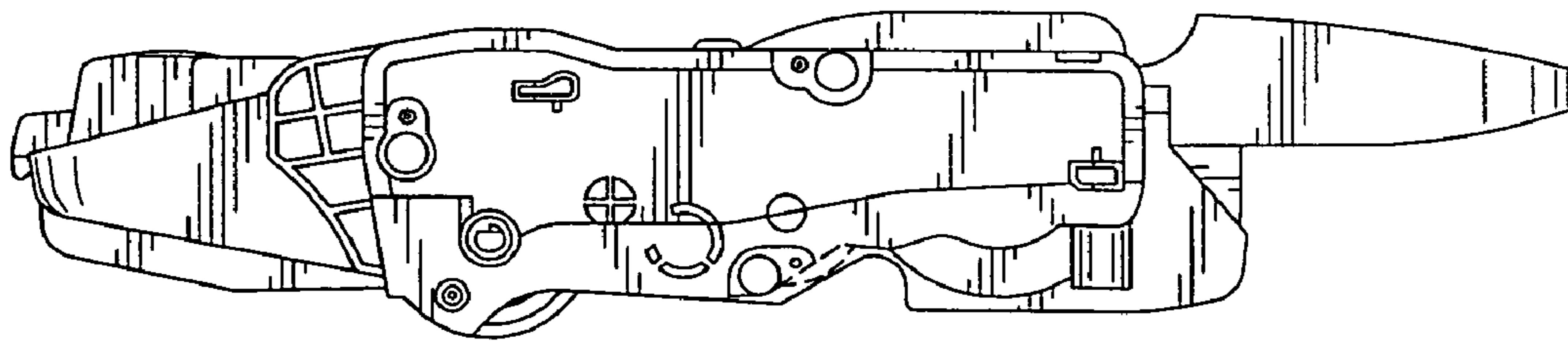


FIG. 5

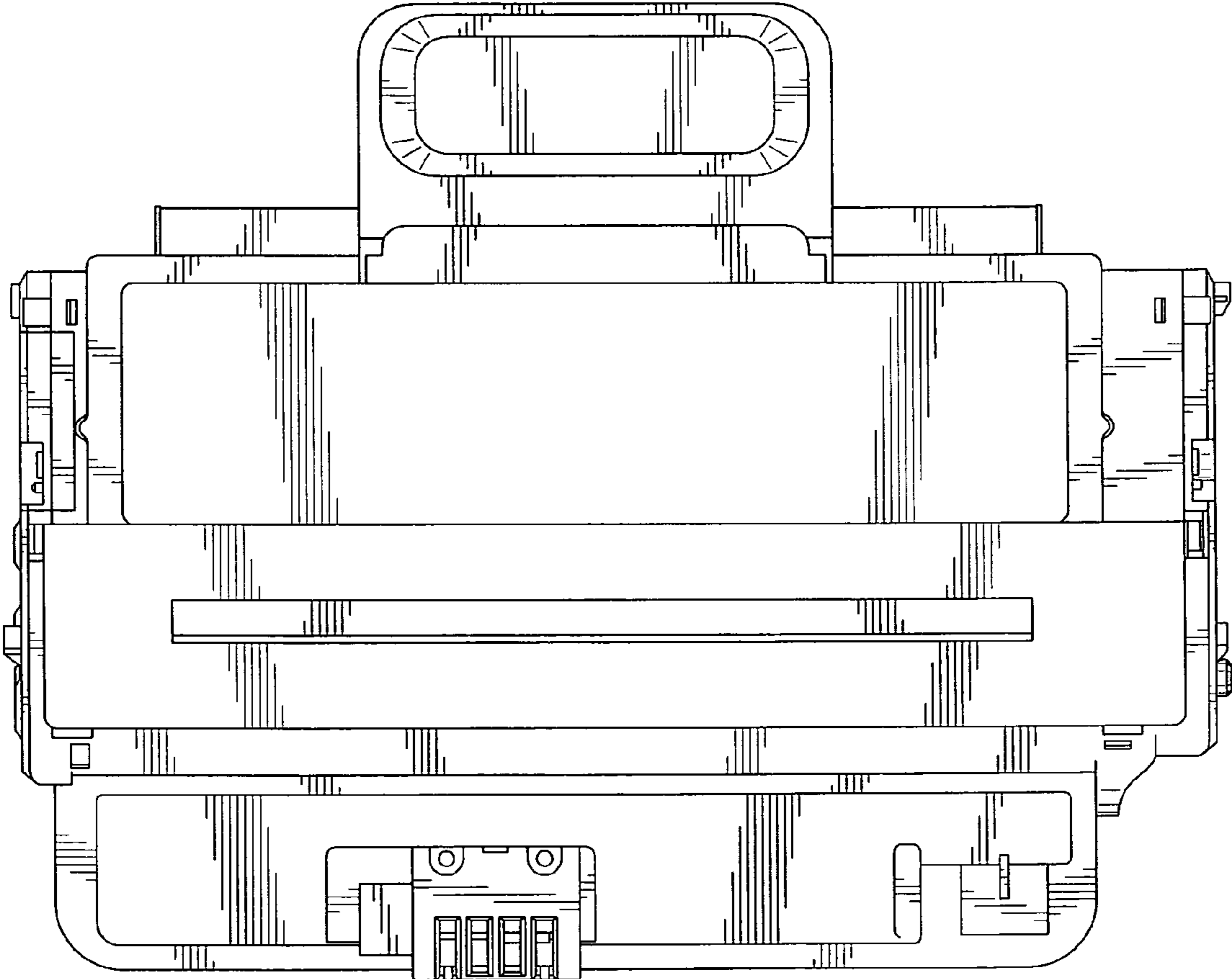


FIG.6

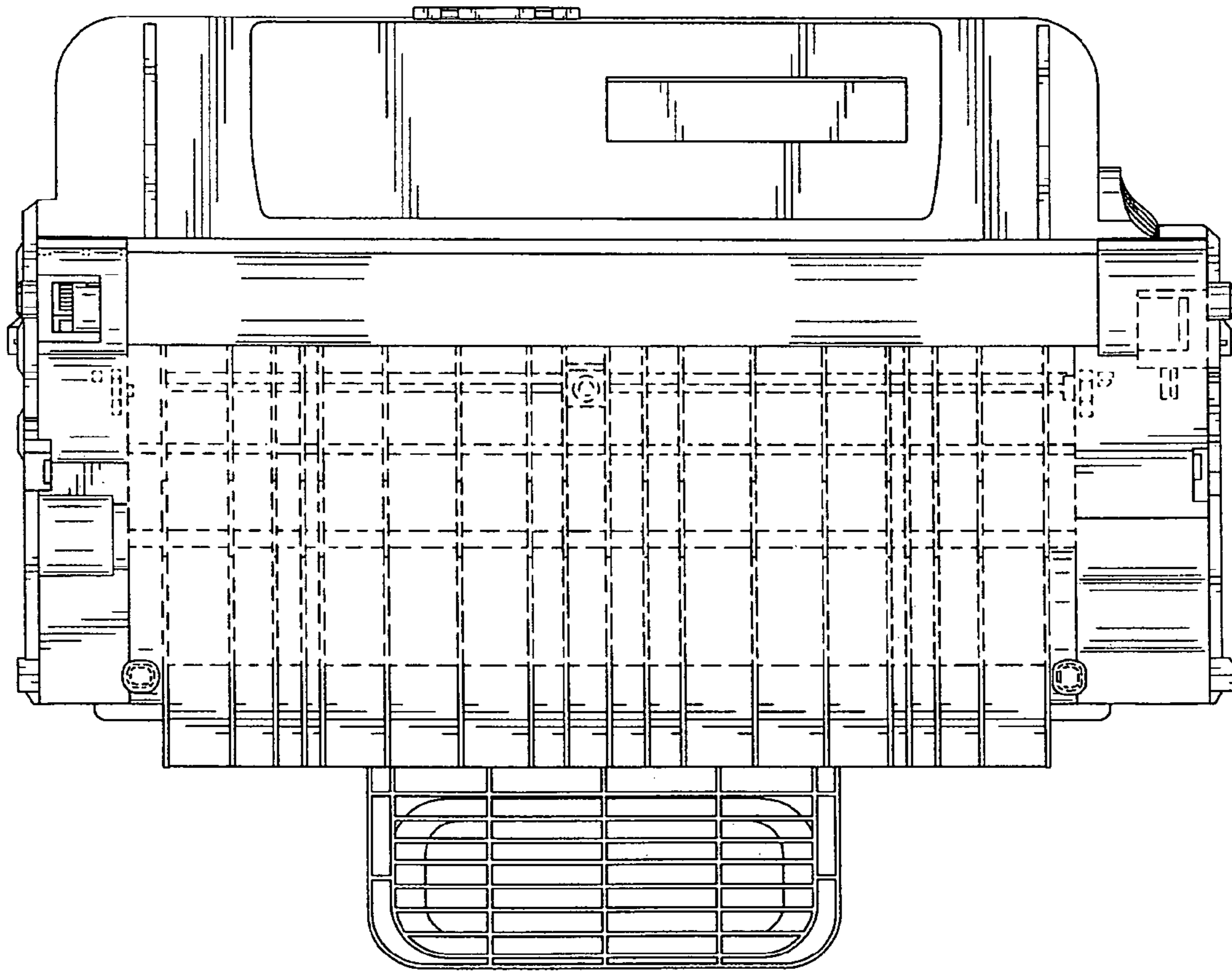


FIG. 7