



US00D584343S

(12) **United States Design Patent**
Kwon

(10) **Patent No.:** **US D584,343 S**
(45) **Date of Patent:** **** Jan. 6, 2009**

(54) **CARTRIDGE FOR LASER COMPOUND
DEVICE**

D555,193 S * 11/2007 Choi D18/43
2005/0265748 A1 * 12/2005 Noh 399/119

(75) Inventor: **Se-Il Kwon**, Seoul (KR)

(73) Assignee: **Samsung Electronics Co., Ltd.**,
Kyunggi-do (KR)

(**) Term: **14 Years**

(21) Appl. No.: **29/270,054**

(22) Filed: **Dec. 13, 2006**

(51) **LOC (9) Cl.** **16-03**

(52) **U.S. Cl.** **D18/43**

(58) **Field of Classification Search** D14/471;
D18/12, 36, 40, 43, 44, 56; 222/DIG. 1;
347/197, 222; 399/24-28, 107-112, 119,
399/121, 122, 222-224

See application file for complete search history.

(56) **References Cited**

U.S. PATENT DOCUMENTS

D286,542 S *	11/1986	Saito	D18/43
D322,279 S *	12/1991	Tsutsui	D18/43
D378,830 S *	4/1997	Kim	D18/43
D383,159 S *	9/1997	Yoshikado	D18/56
D398,633 S *	9/1998	Hashizume et al.	D18/40
5,809,377 A *	9/1998	Chiesa et al.	399/111
D410,676 S *	6/1999	Kurabayashi et al.	D18/40
D451,125 S *	11/2001	Sugiyama et al.	D18/40
D489,752 S *	5/2004	Yamaguchi et al.	D18/40
D501,020 S *	1/2005	Otani et al.	D18/40
7,062,201 B2 *	6/2006	Mizoguchi	399/107
7,079,793 B2 *	7/2006	Amano et al.	399/119
D529,076 S *	9/2006	Kobayashi et al.	D18/43
7,209,680 B2 *	4/2007	Kweon	399/111
D546,382 S *	7/2007	Noh et al.	D18/43
D547,368 S *	7/2007	Han	D18/43
D551,286 S *	9/2007	Han	D18/43

OTHER PUBLICATIONS

U.S. Appl. No. 29/261,032, Applicant: Min-Su Han, filed Jun. 6, 2006 entitled Development Device for Laser Printer.

U.S. Appl. No. 29/261,033, Applicant: Min-Su Han filed Jun. 6, 2006 entitled Development Device for Laser Printer.

U.S. Appl. No. 29/261,034, Applicant: Jai-Il Choi filed Jun. 6, 2006 entitled Development Device for Laser Printer.

U.S. Appl. No. 29/231,239, Applicant: Joo-Hwan Noh, et al., filed Jun. 2, 2005 entitled Toner Cartridge for Printer.

U.S. Appl. No. 29/270,051, Applicant: Jong-Hyun Park, filed Dec. 13, 2006 entitled Toner Cartridge.

* cited by examiner

Primary Examiner—Caron Veynar

Assistant Examiner—Garth Rademaker

(74) *Attorney, Agent, or Firm*—Flynn, Thiel, Boutell & Tanis, P.C.

(57) **CLAIM**

The ornamental design for a cartridge for laser compound device, as shown and described.

DESCRIPTION

FIG. 1 is a top front perspective view of a cartridge for laser compound device showing my new design;

FIG. 2 is a front elevational view thereof;

FIG. 3 is a rear elevational view thereof;

FIG. 4 is a left side elevational view thereof;

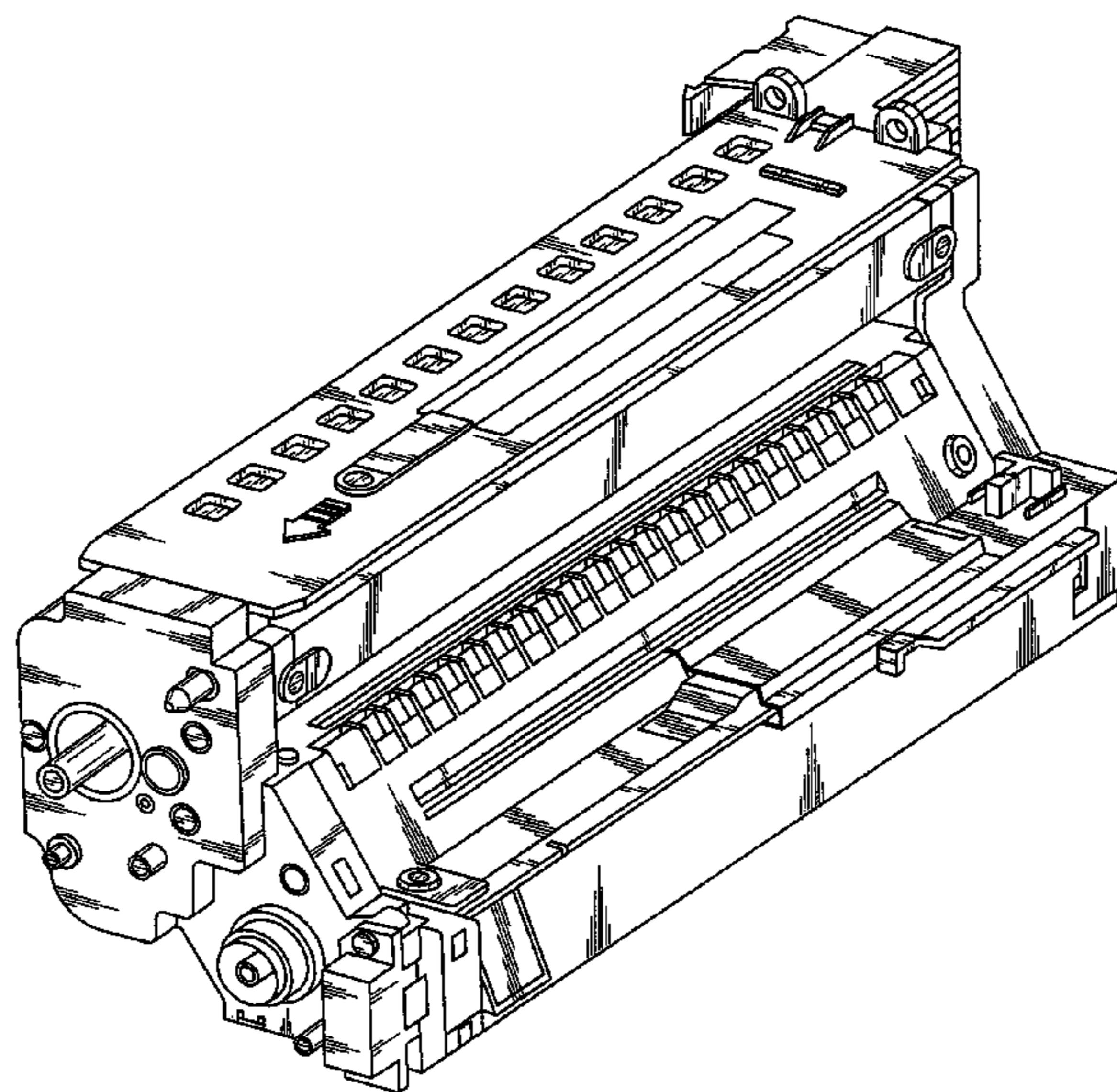
FIG. 5 is a right side elevational view thereof;

FIG. 6 is a top plan view thereof; and,

FIG. 7 is a bottom plan view thereof.

The broken lines depict environmental subject matter only and form no part of the claimed design.

1 Claim, 4 Drawing Sheets



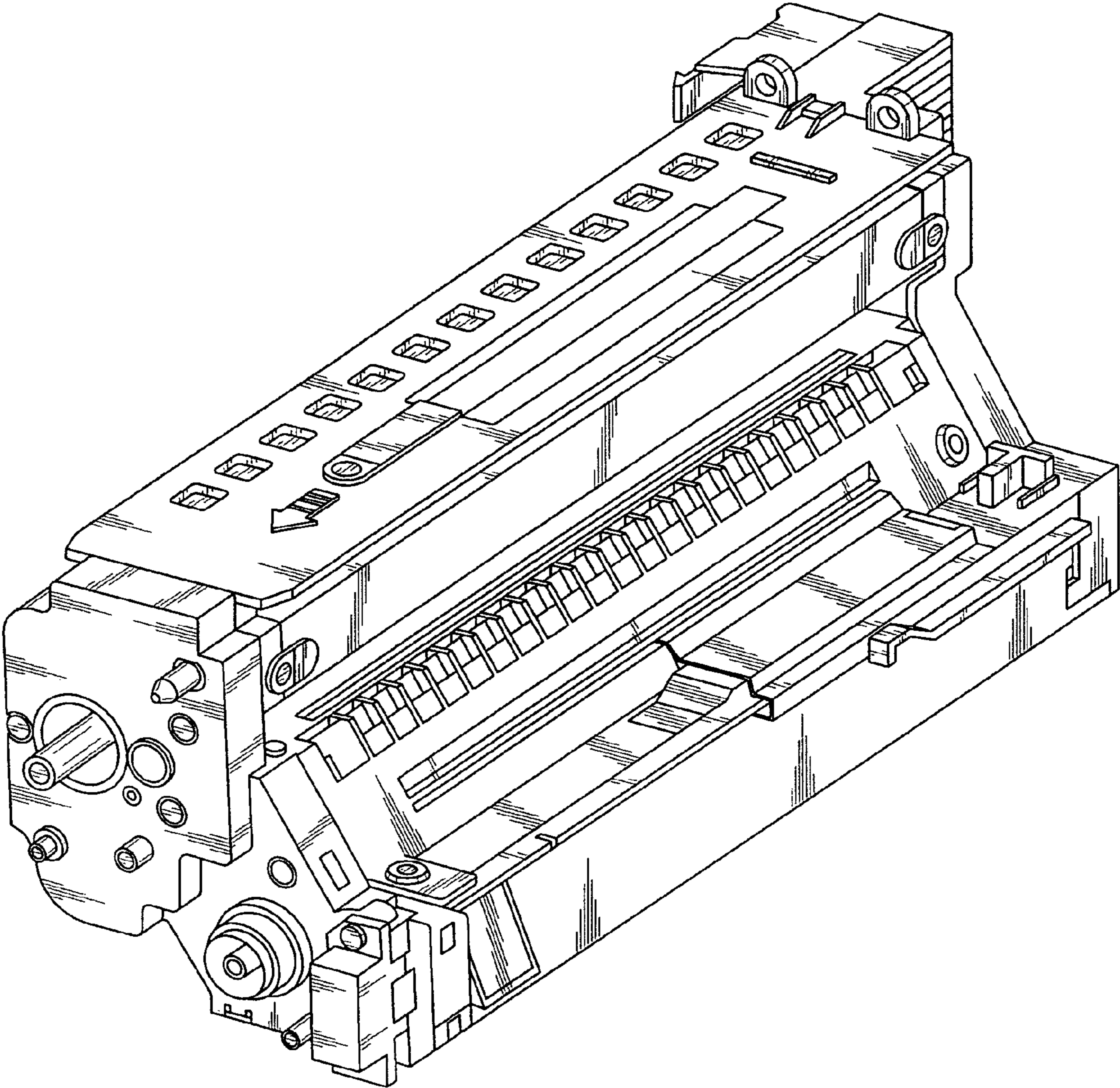


FIG. 1

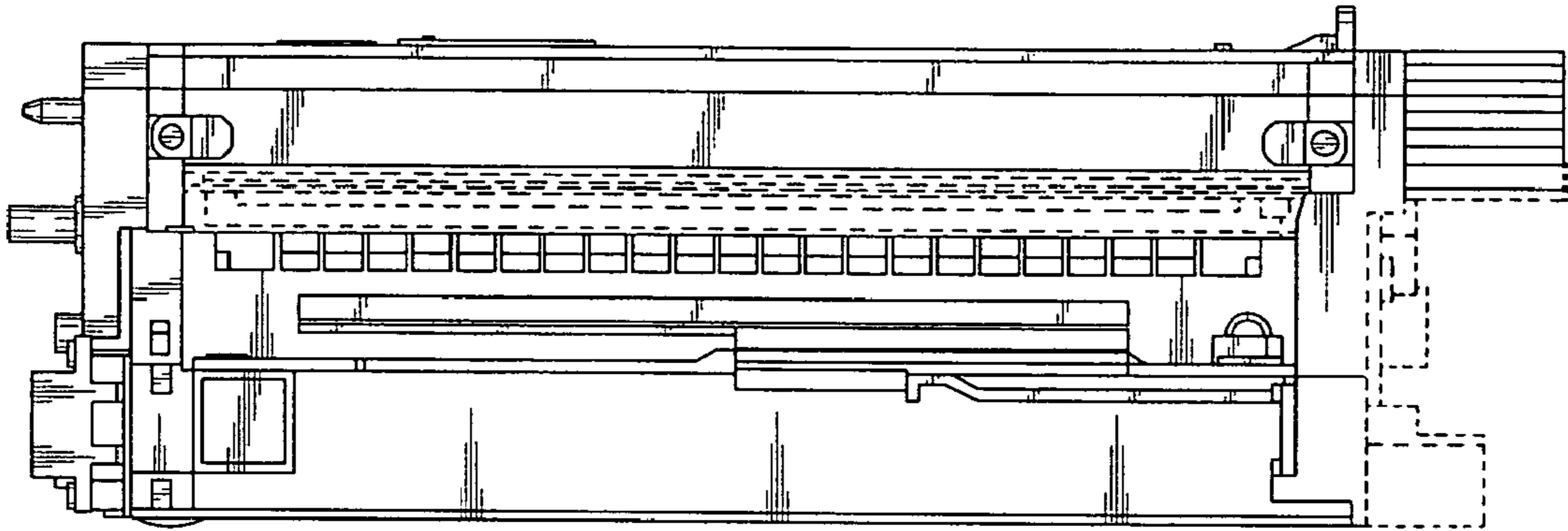


FIG. 2

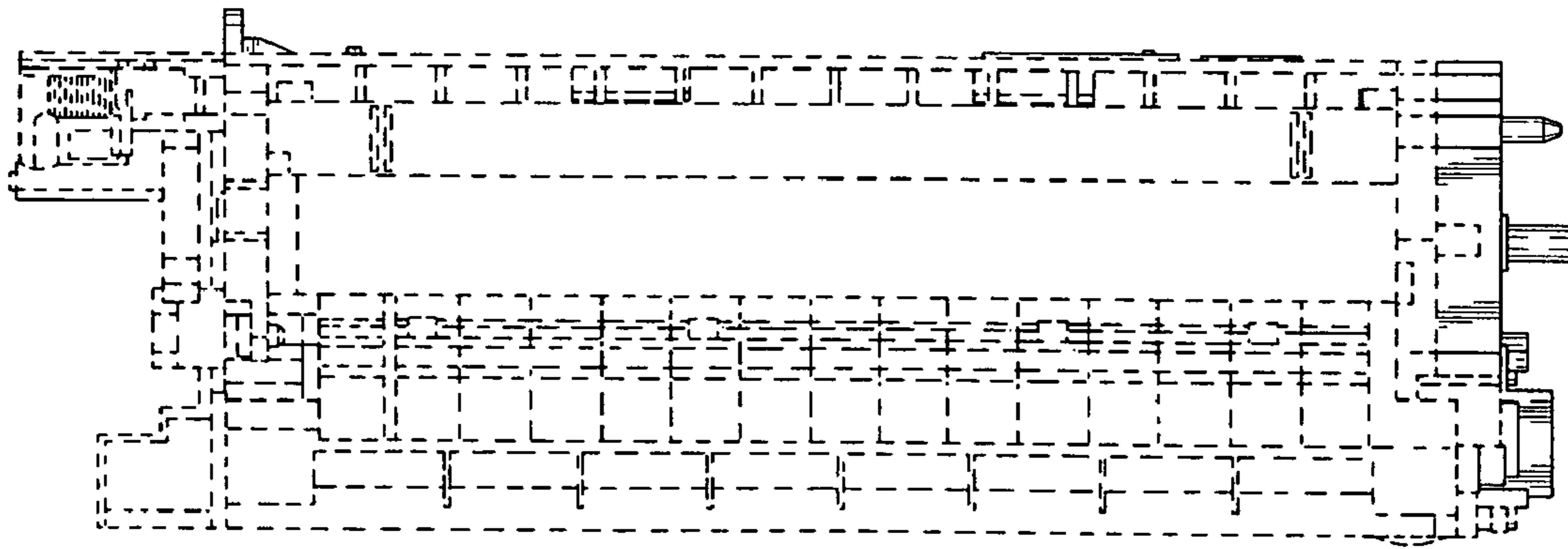


FIG. 3

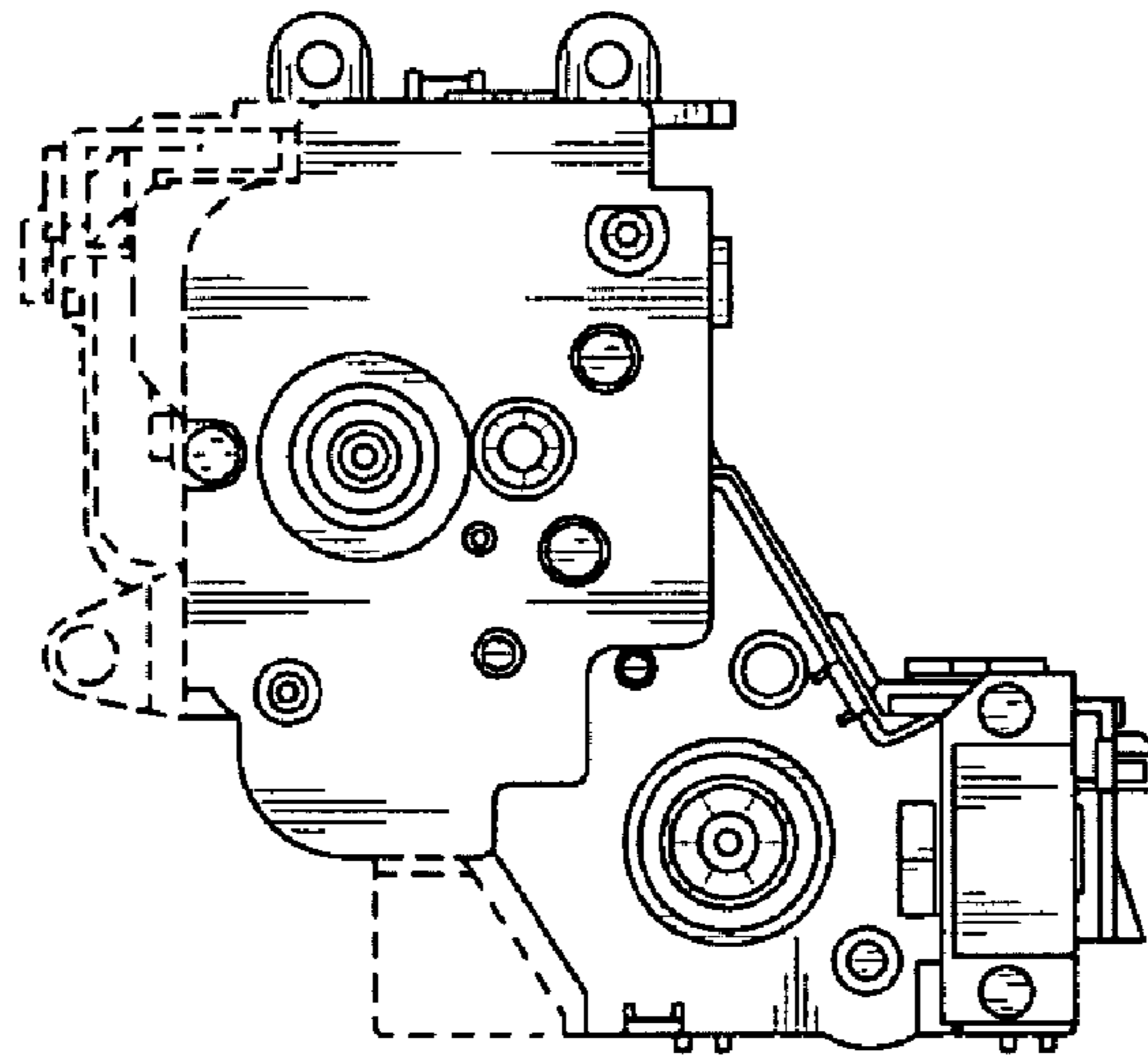


FIG. 4

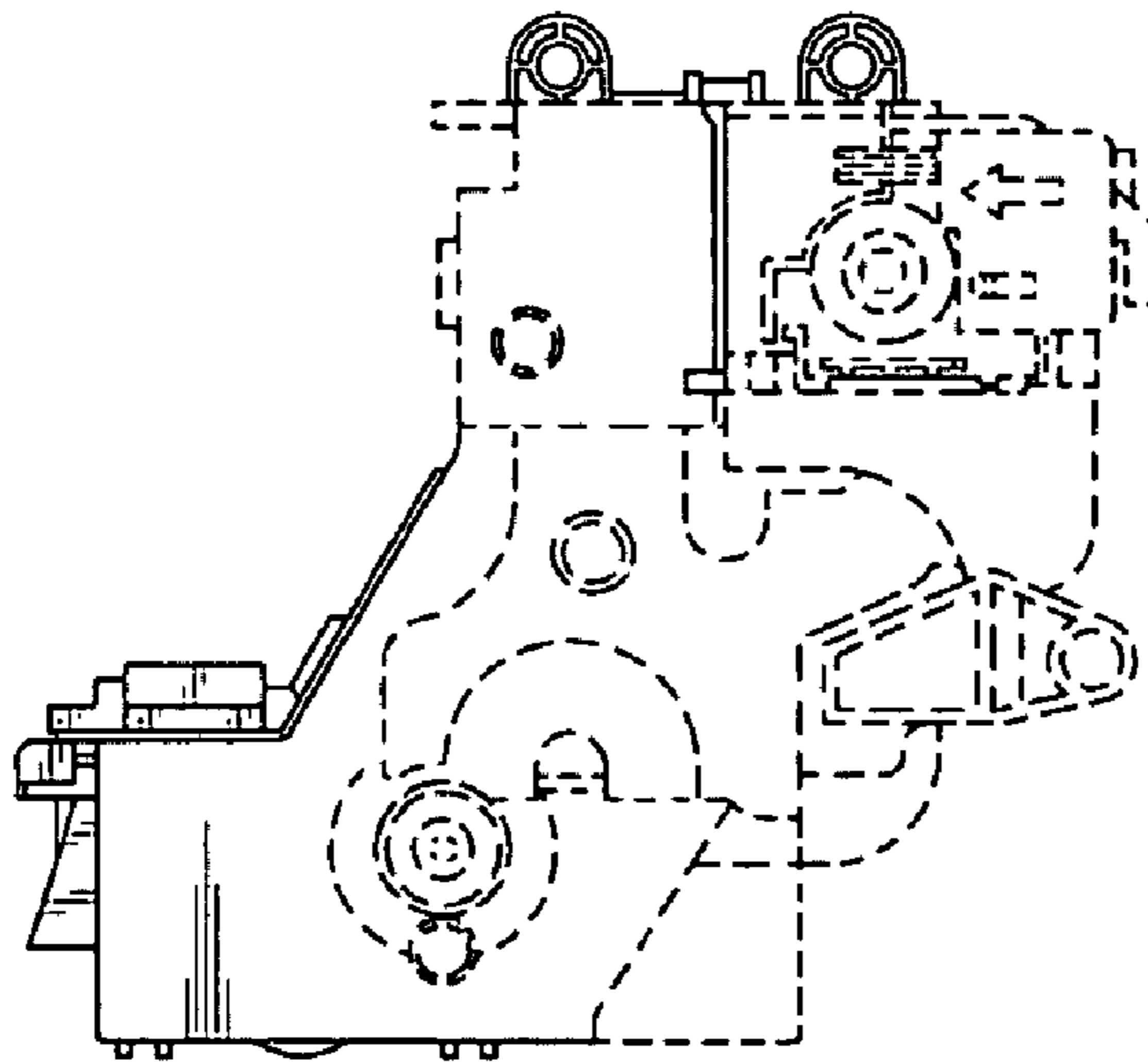


FIG. 5

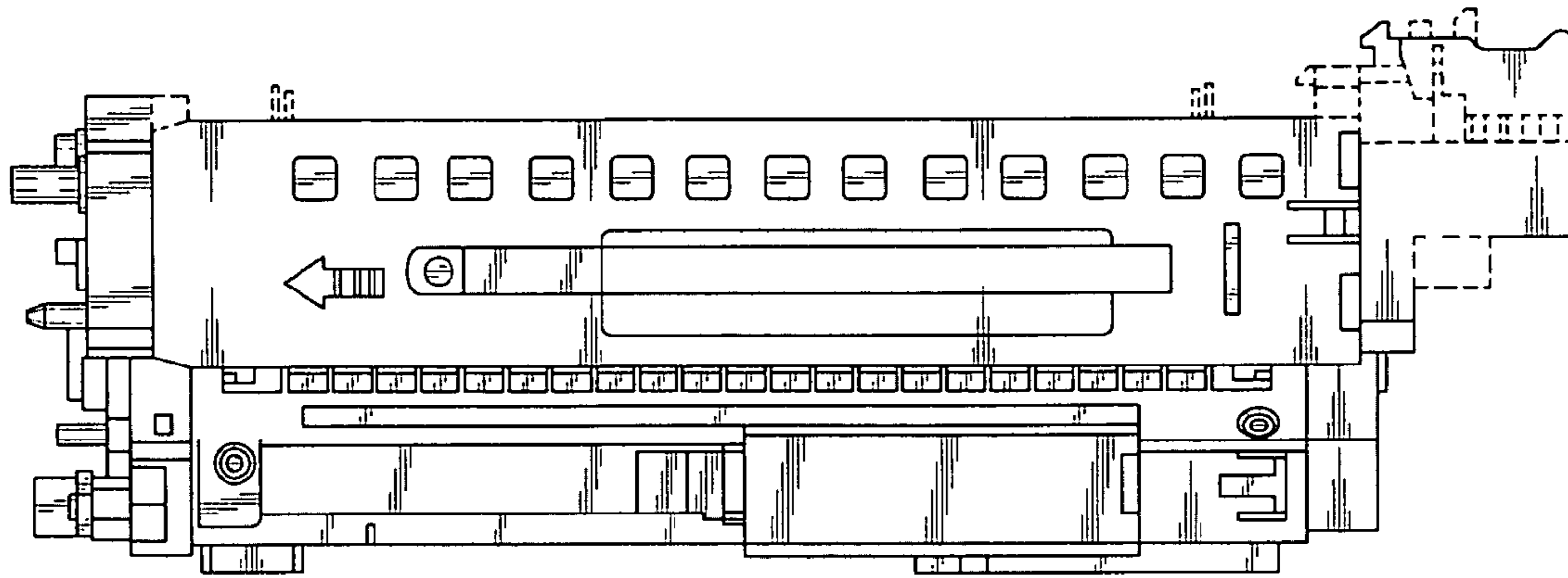


FIG. 6

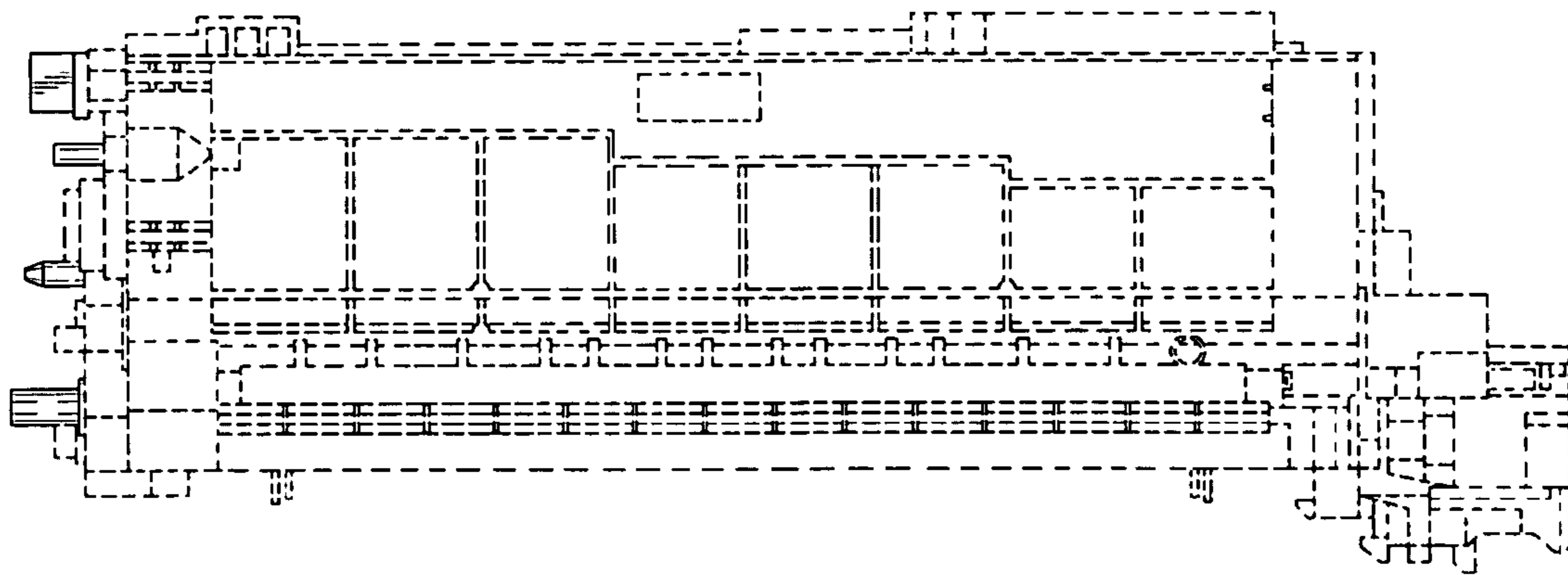


FIG. 7