



US00D584341S

(12) **United States Design Patent**
Watanabe et al.

(10) **Patent No.:** **US D584,341 S**

(45) **Date of Patent:** **** Jan. 6, 2009**

(54) **STAMP**

(75) Inventors: **Toshio Watanabe**, Nisshin (JP); **Shoichi Inaguma**, Nagoya (JP)

(73) Assignee: **Shachihata, Inc.**, Aichi (JP)

(**) Term: **14 Years**

(21) Appl. No.: **29/300,782**

(22) Filed: **May 12, 2008**

(30) **Foreign Application Priority Data**

Nov. 14, 2007 (JP) D2007-031460

(51) **LOC (9) Cl.** **19-02**

(52) **U.S. Cl.** **D18/15**

(58) **Field of Classification Search** D18/15,
D18/16, 17, 18, 50; 101/333, 334, 327, 328,
101/352.07, 405, 406; 118/264, 268
See application file for complete search history.

(56) **References Cited**

U.S. PATENT DOCUMENTS

D101,469	S *	10/1936	Melind	D18/15
D158,186	S *	4/1950	Fleming	D18/15
D240,966	S *	8/1976	Funahashi	D18/15
D275,687	S *	9/1984	Funahashi	D18/15
D377,660	S *	1/1997	Kida et al.	D18/15
D400,566	S *	11/1998	Schreiberhuber	D18/15
D441,009	S *	4/2001	Hayashi	D18/15
D446,805	S *	8/2001	Suto	D18/15
D452,261	S *	12/2001	Hayashi	D18/15
D478,930	S *	8/2003	Zambelli et al.	D18/15
D495,733	S *	9/2004	Sculler	D18/18
D507,805	S *	7/2005	Shih	D18/15
D516,117	S *	2/2006	Shih	D18/15
7,021,211	B1 *	4/2006	Shih	101/405
D542,835	S *	5/2007	Faber	D18/15
D545,884	S *	7/2007	Faber	D18/15

FOREIGN PATENT DOCUMENTS

JP	976262	3/1997
JP	976263	3/1997

JP 976264 3/1997

* cited by examiner

Primary Examiner—Charles A Rademaker

(74) *Attorney, Agent, or Firm*—Jacobson Holman PLLC

(57) **CLAIM**

The ornamental design for a stamp, as shown and described.

DESCRIPTION

FIG. 1 is a top perspective view of a stamp showing our new design;

FIG. 2 is a front elevation thereof;

FIG. 3 is a rear elevation thereof;

FIG. 4 is a right side elevation thereof;

FIG. 5 is a left side elevation thereof;

FIG. 6 is a top plan view thereof;

FIG. 7 is a bottom plan thereof;

FIG. 8 is a cross-section view thereof taken along line 8—8 in FIG. 4;

FIG. 9 is a cross-section view thereof taken along line 9—9 in FIG. 9;

FIG. 10 is a front elevation of the body portion showing the cap removed;

FIG. 11 is a rear elevation thereof;

FIG. 12 is a right side elevation thereof;

FIG. 13 is a left side elevation thereof;

FIG. 14 is a top plan view thereof;

FIG. 15 is a bottom plan view thereof;

FIG. 16 is a front elevation of the cap portion only;

FIG. 17 is a rear elevation thereof;

FIG. 18 is a right side elevation thereof;

FIG. 19 is a left side elevation thereof;

FIG. 20 is a top plan view thereof; and,

FIG. 21 is a bottom plan view thereof.

1 Claim, 4 Drawing Sheets

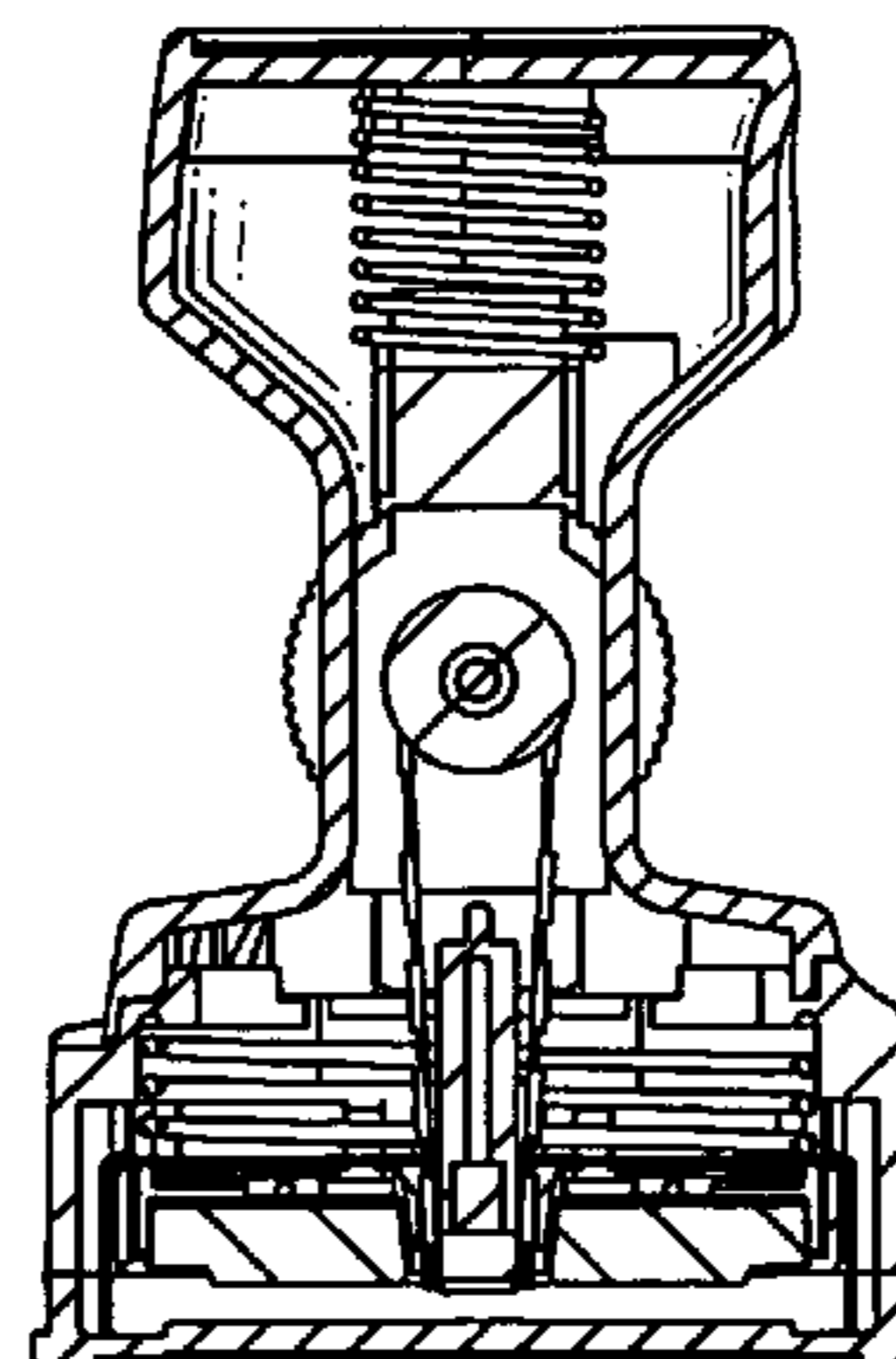
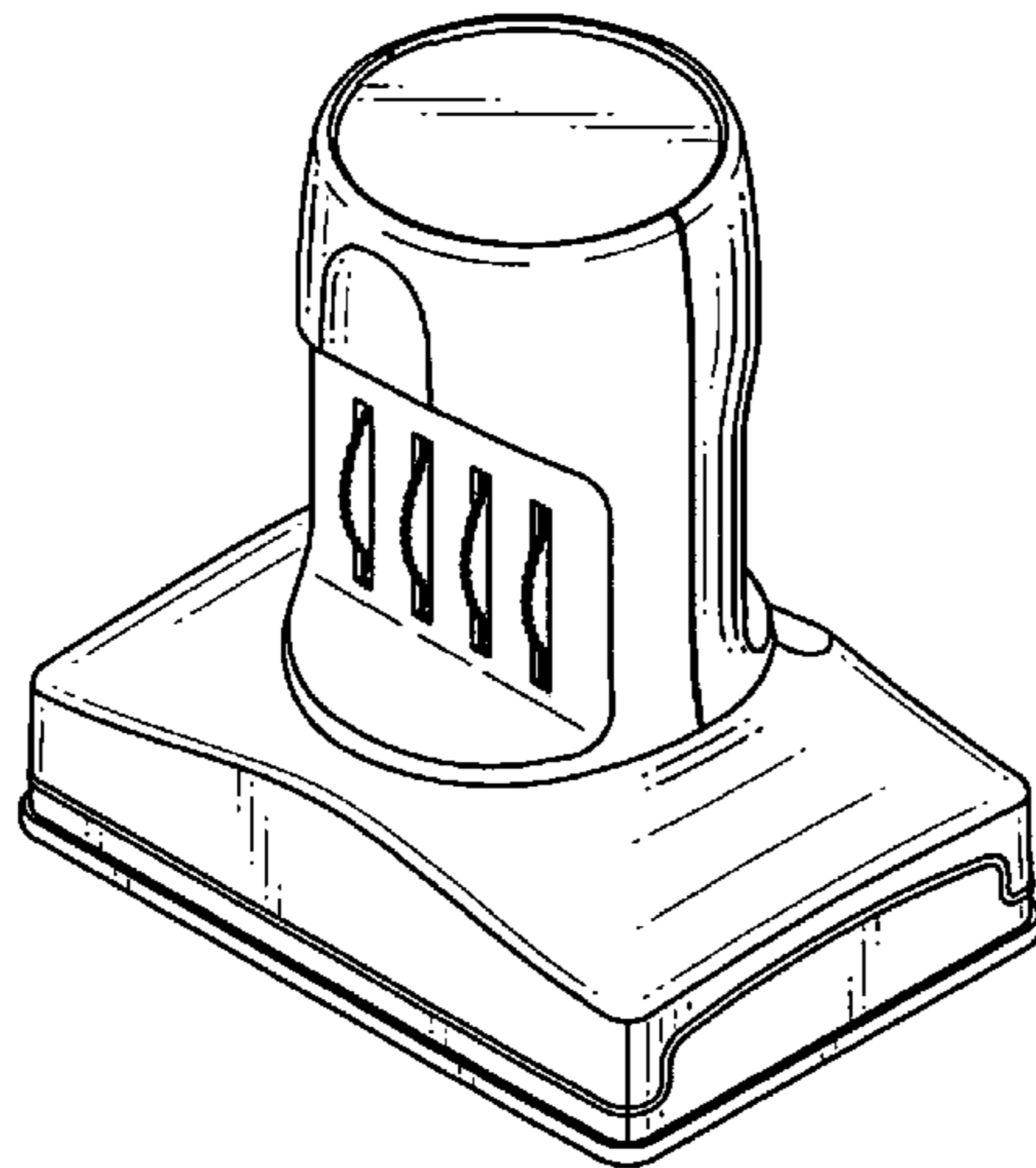


FIG.1

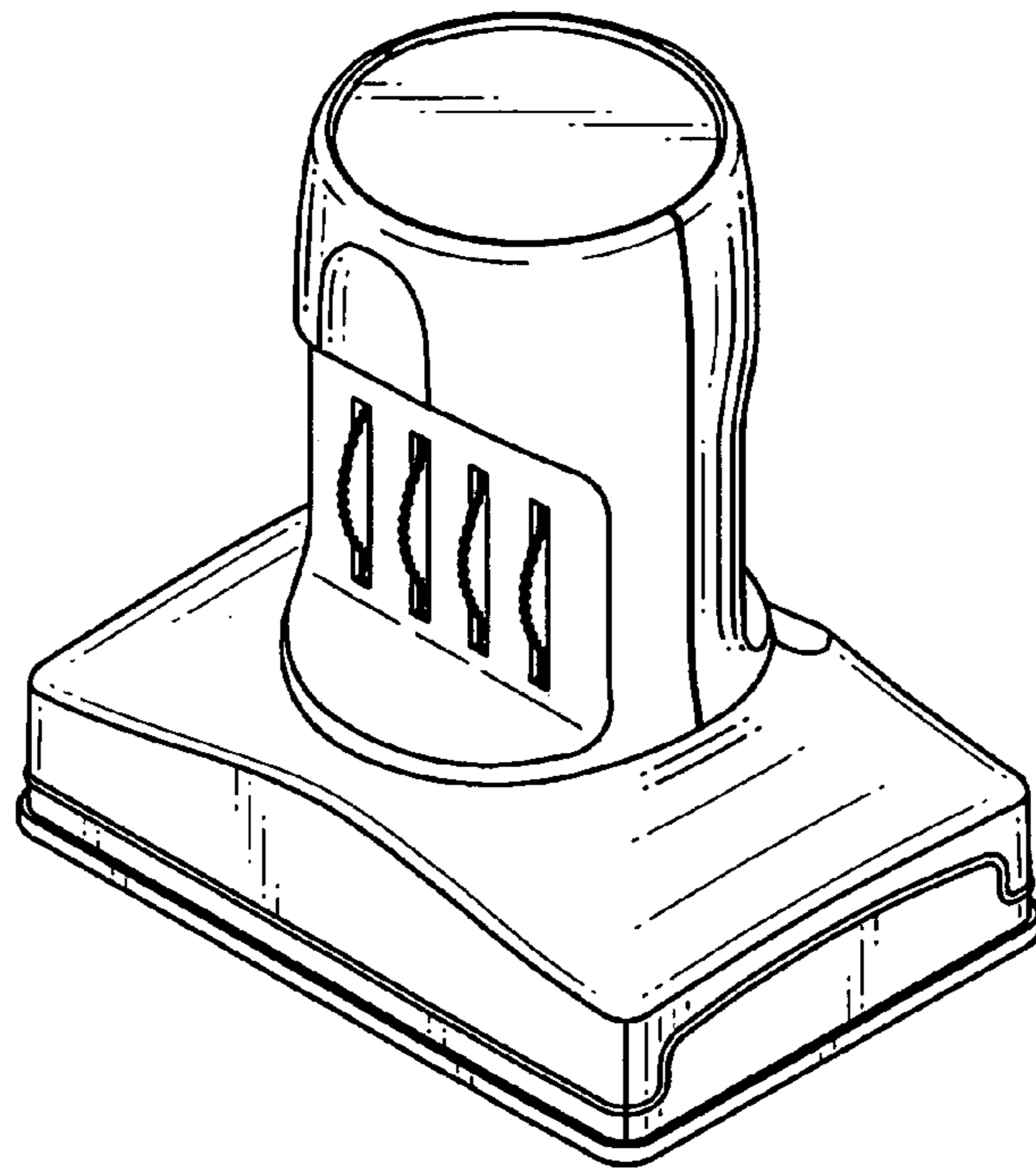


FIG.2

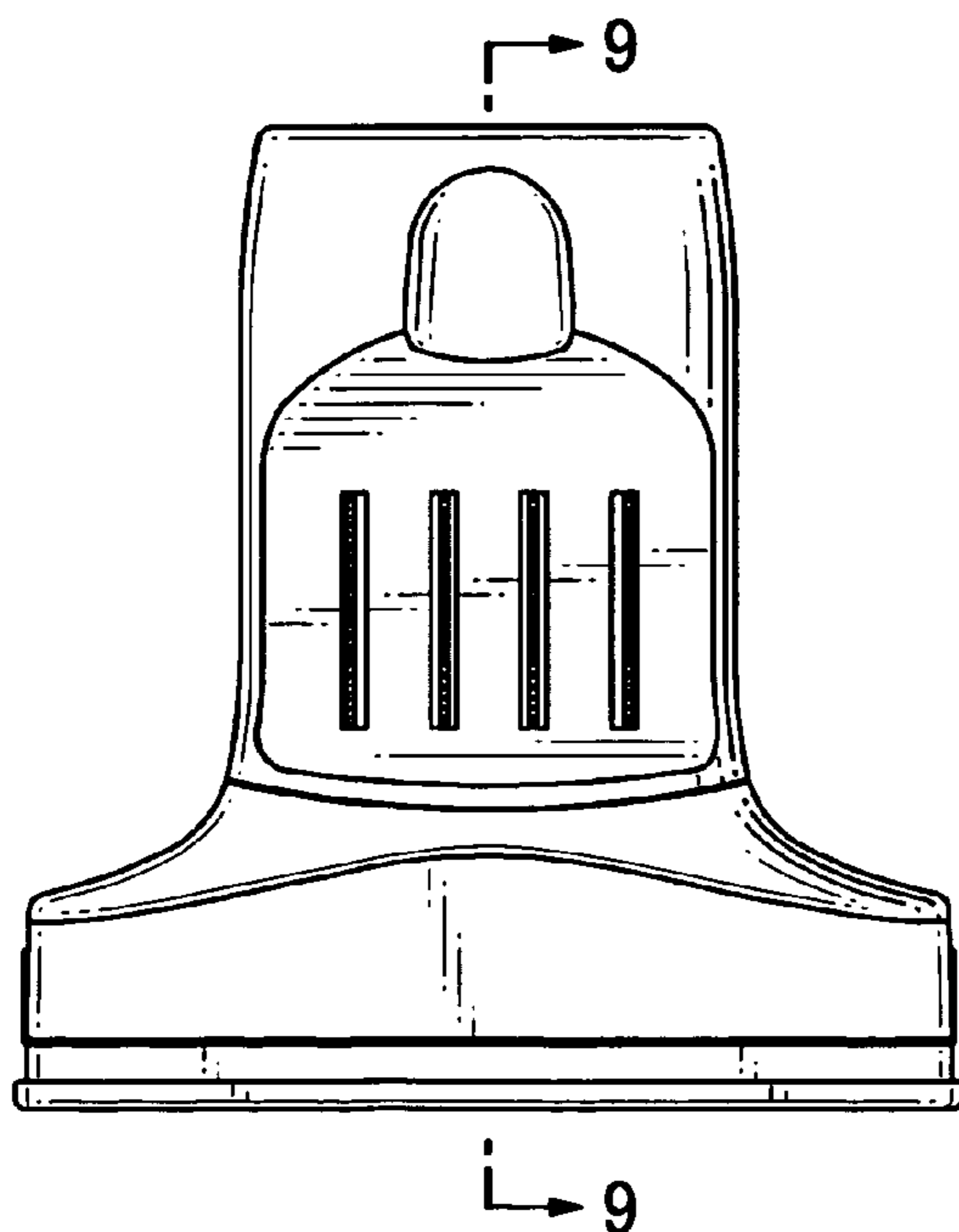


FIG.3

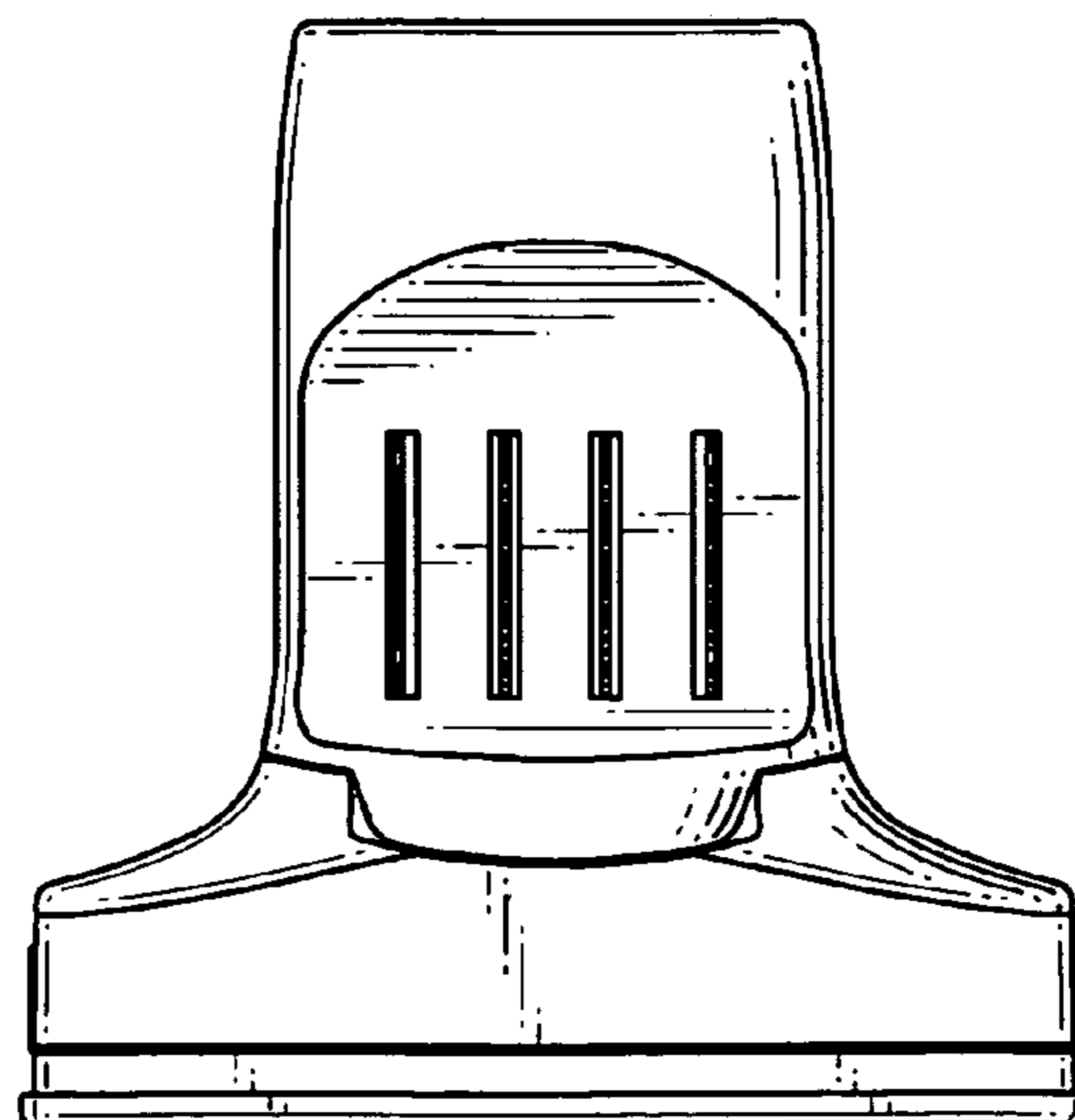


FIG.4

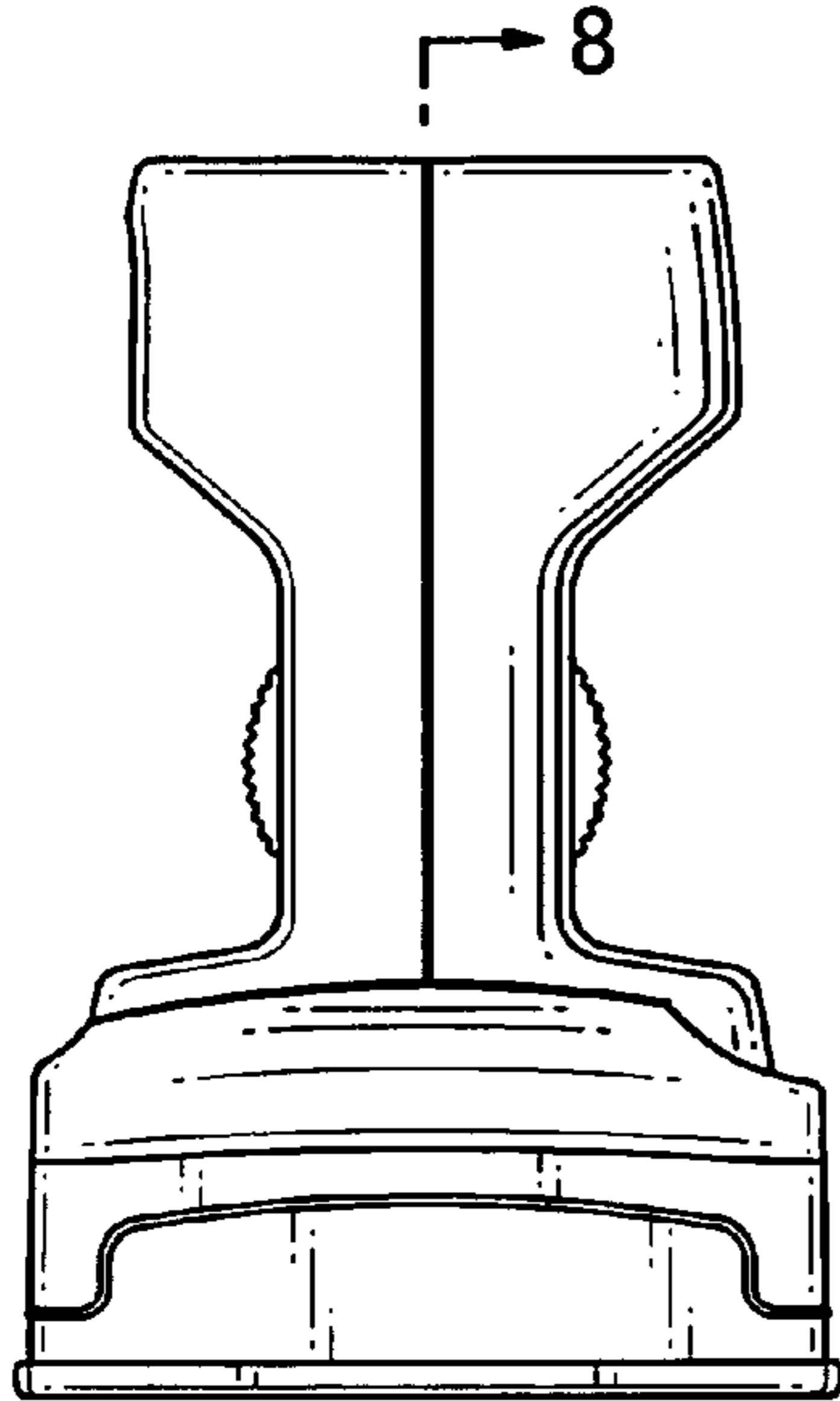
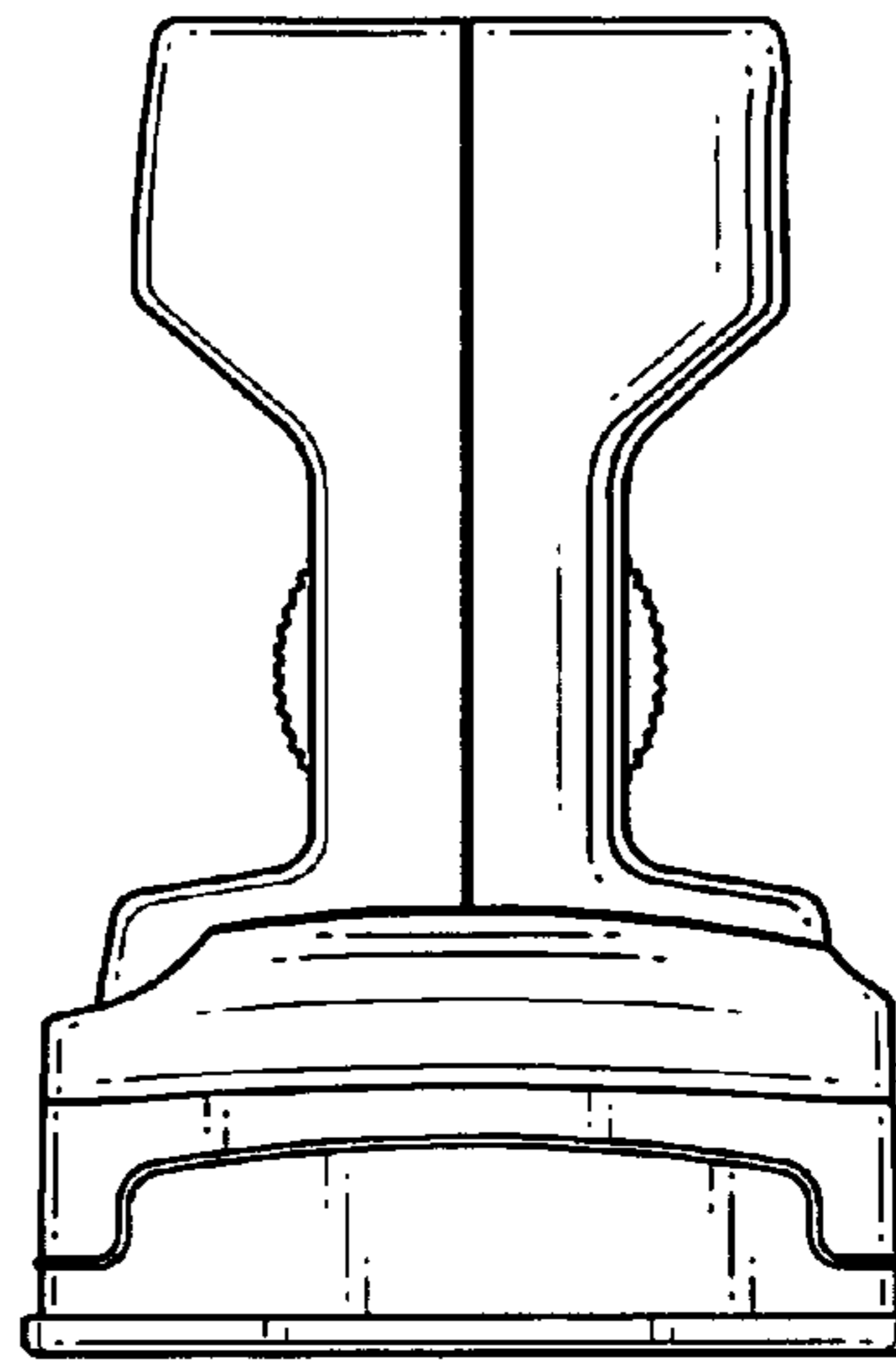


FIG.5



8

FIG.6

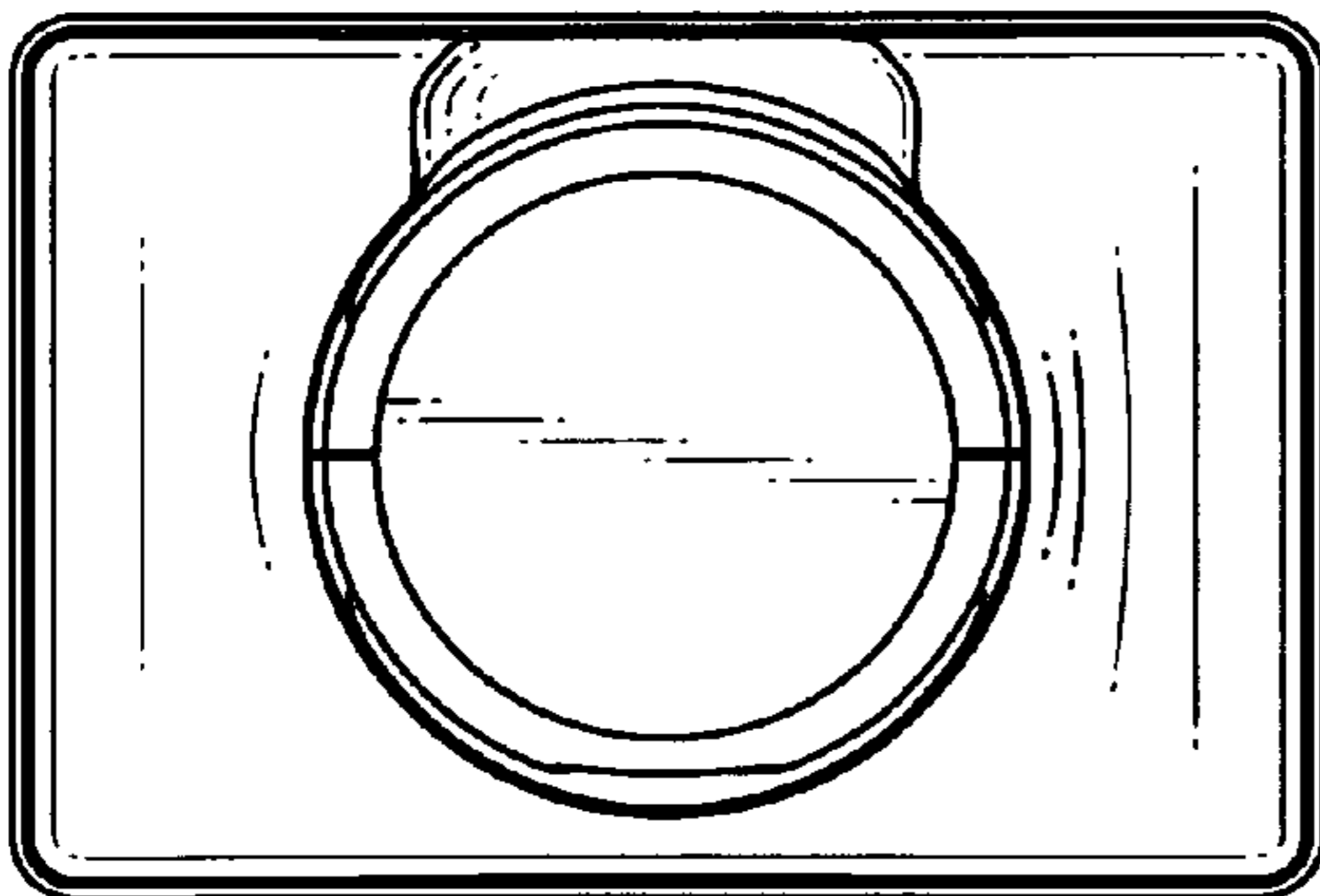


FIG.7

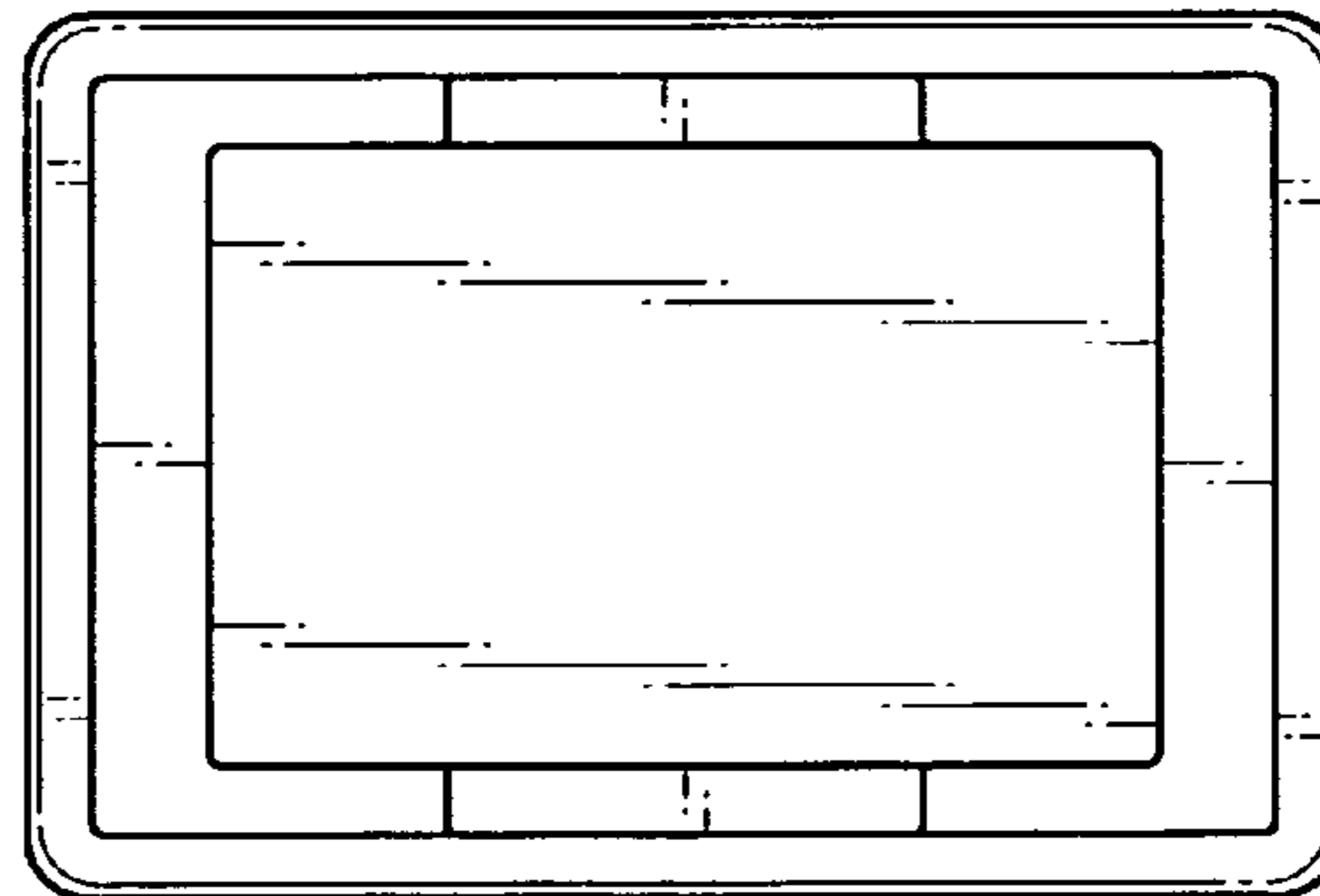


FIG.8

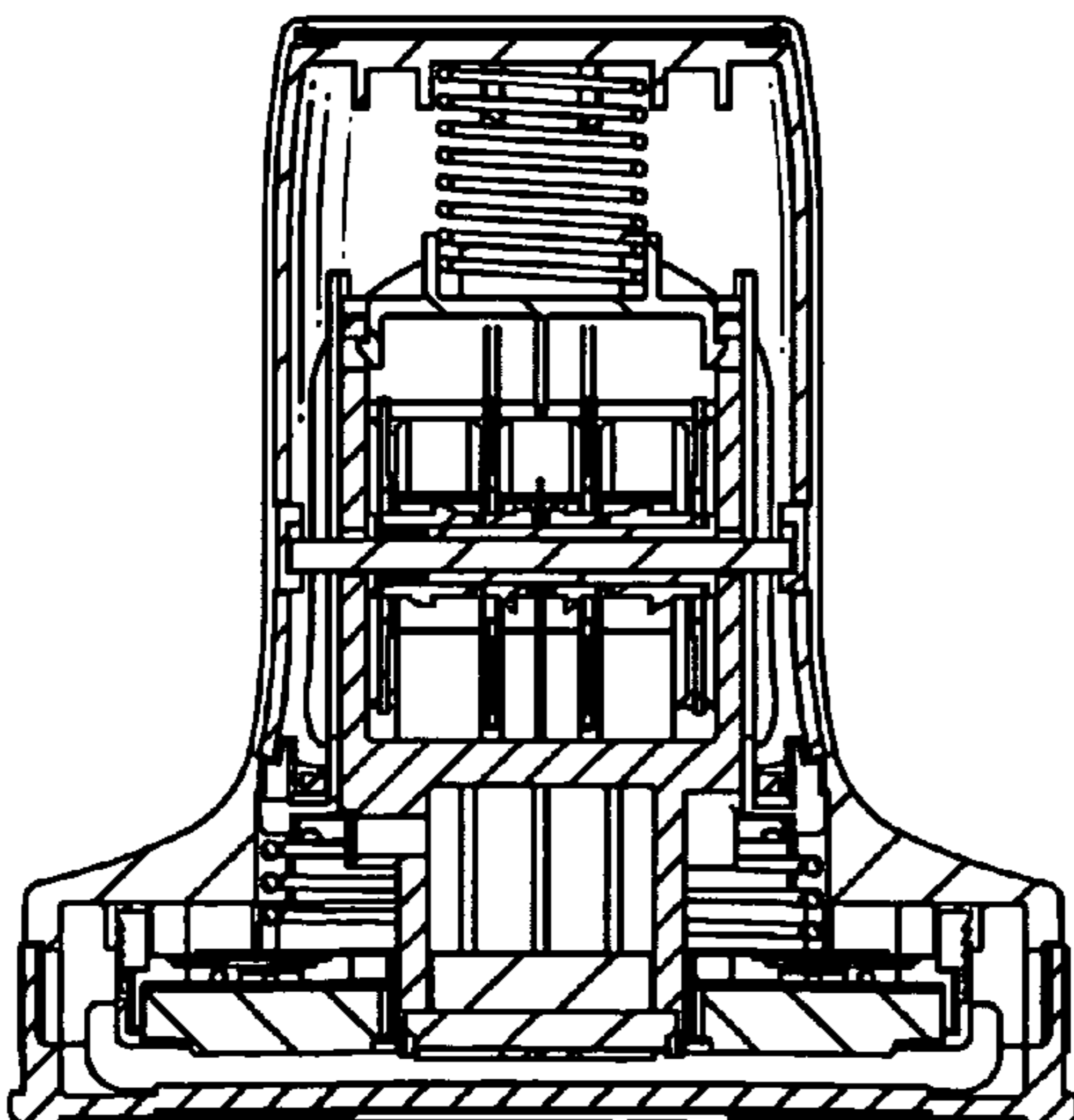


FIG.9

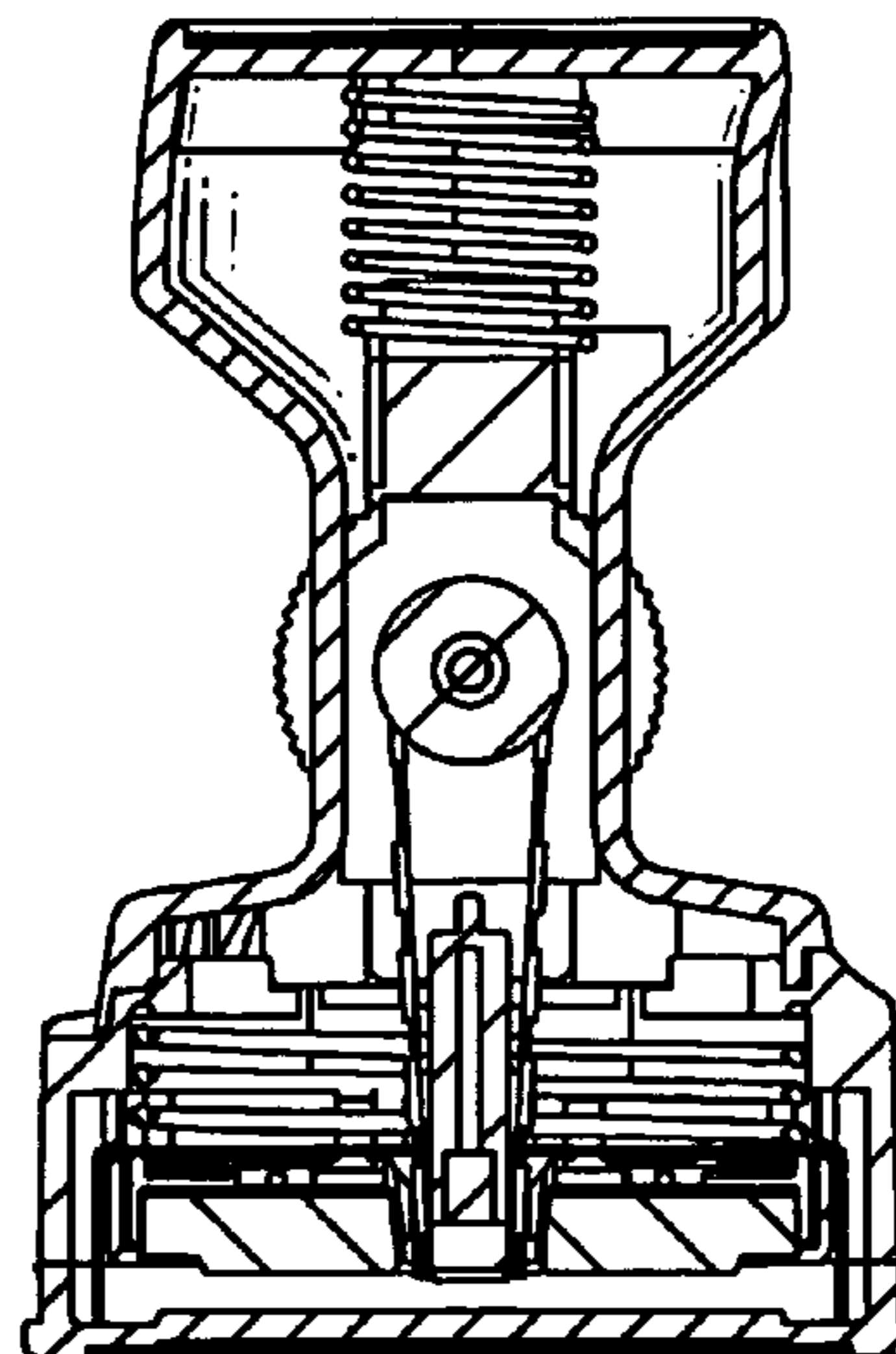


FIG.10

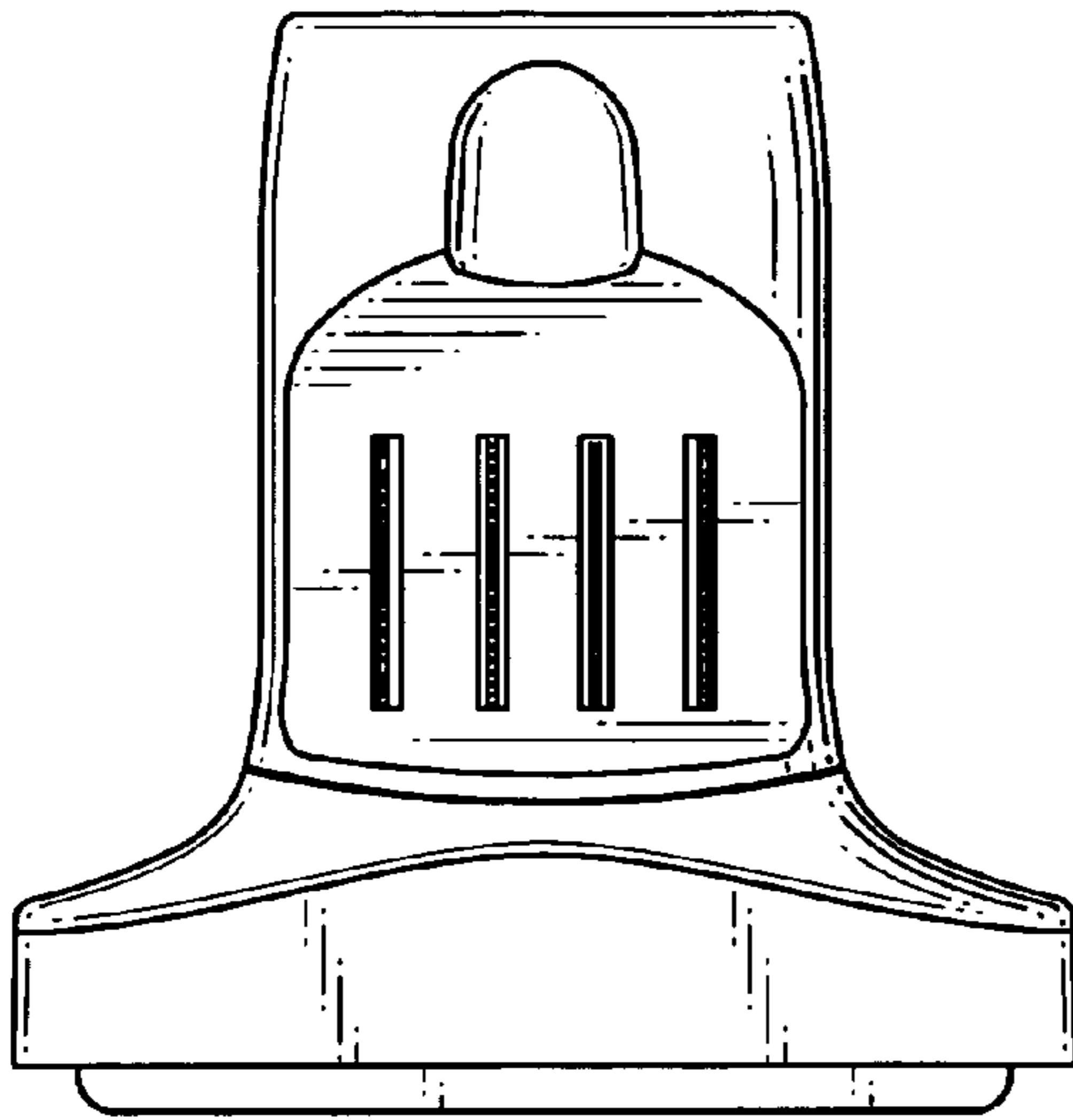


FIG.11

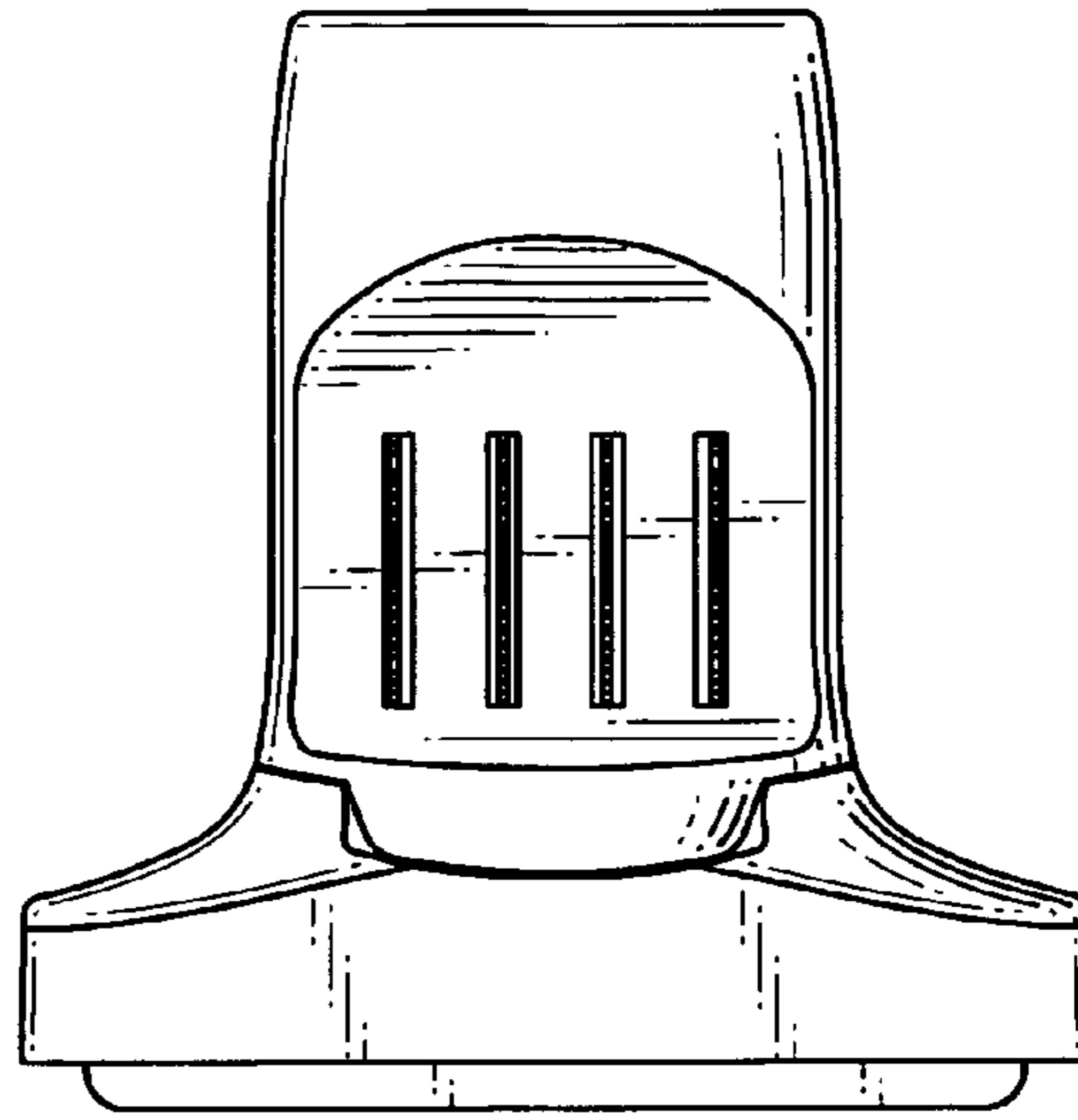


FIG.12

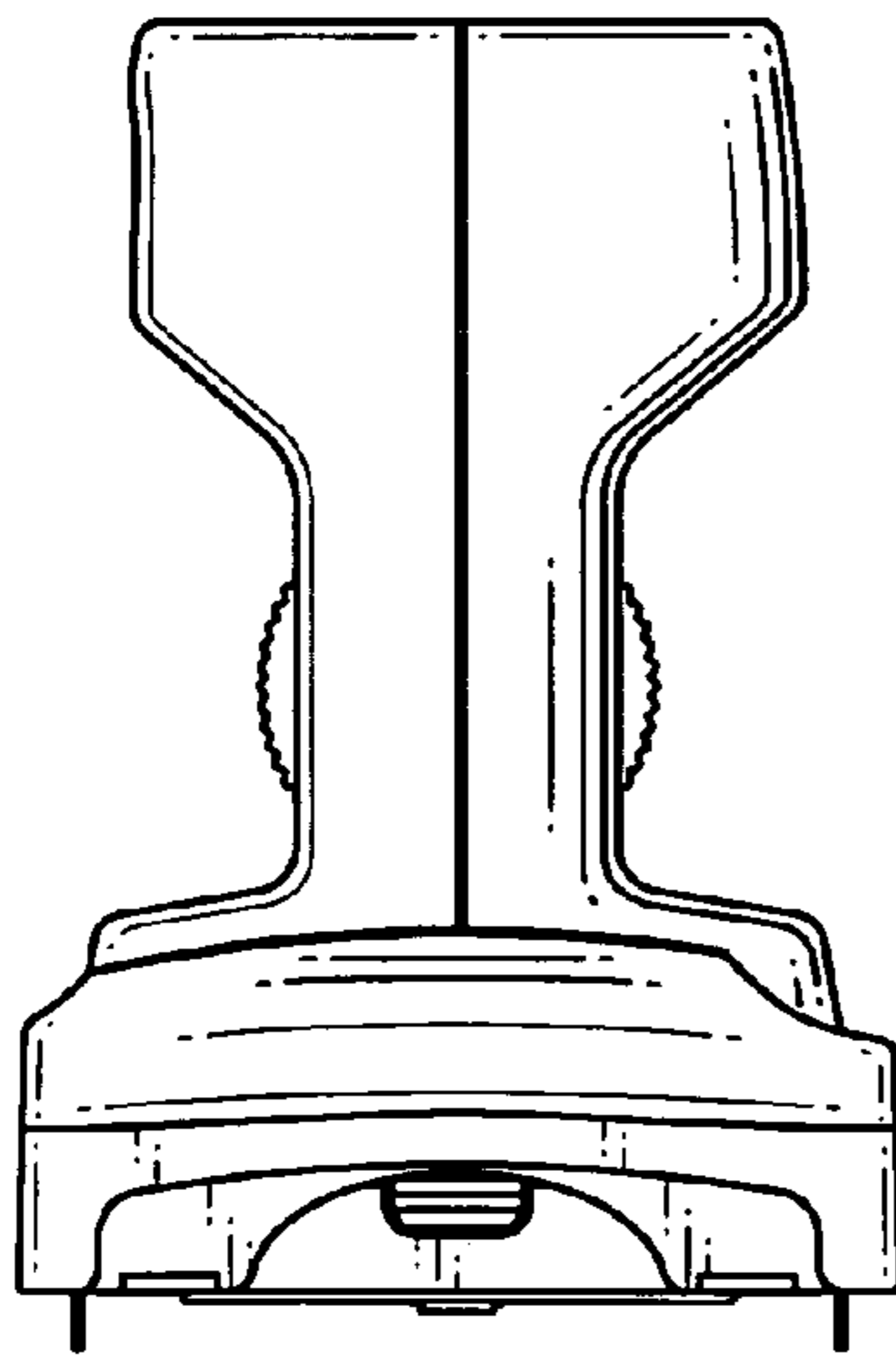


FIG.13

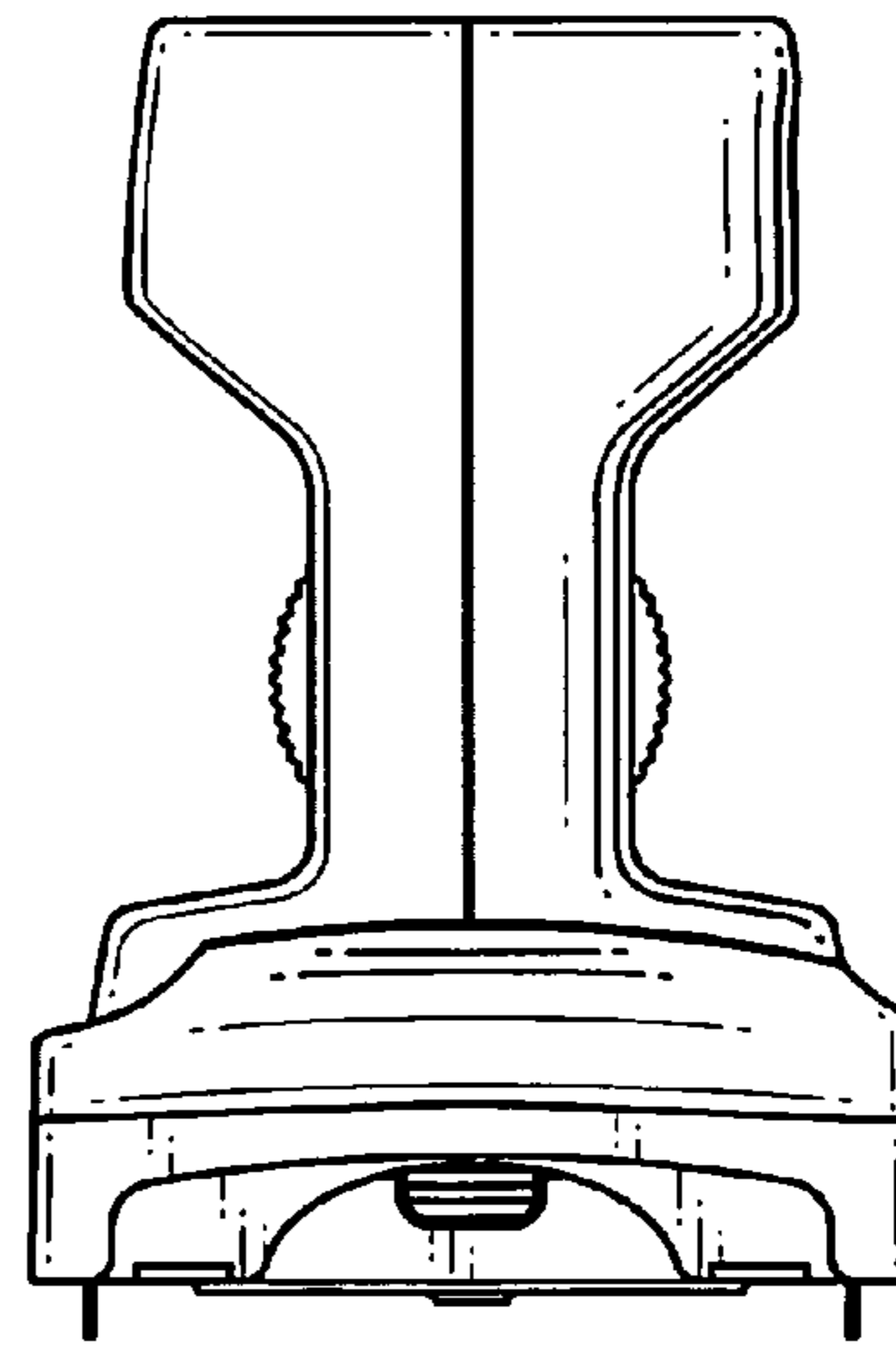


FIG.14

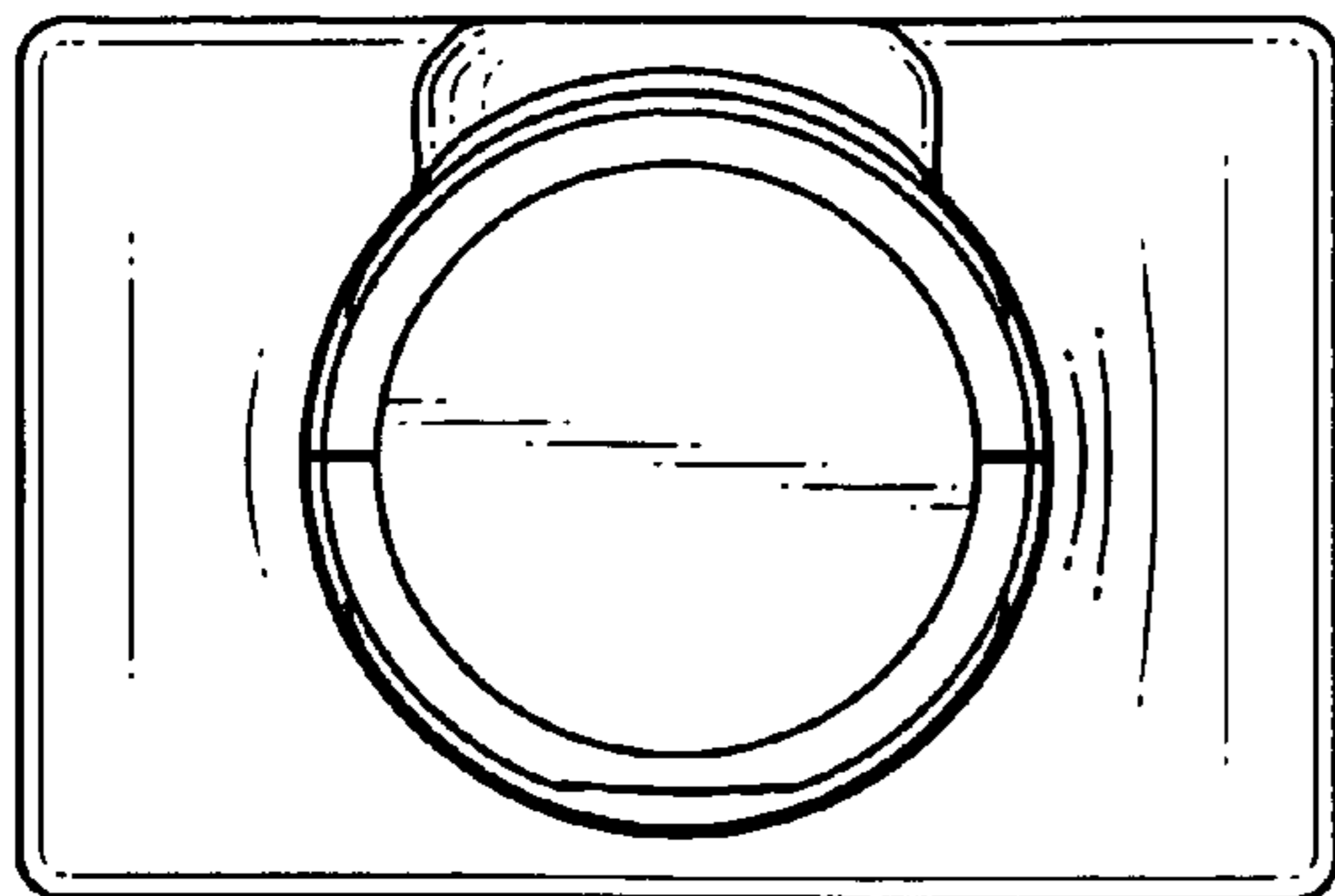


FIG.15

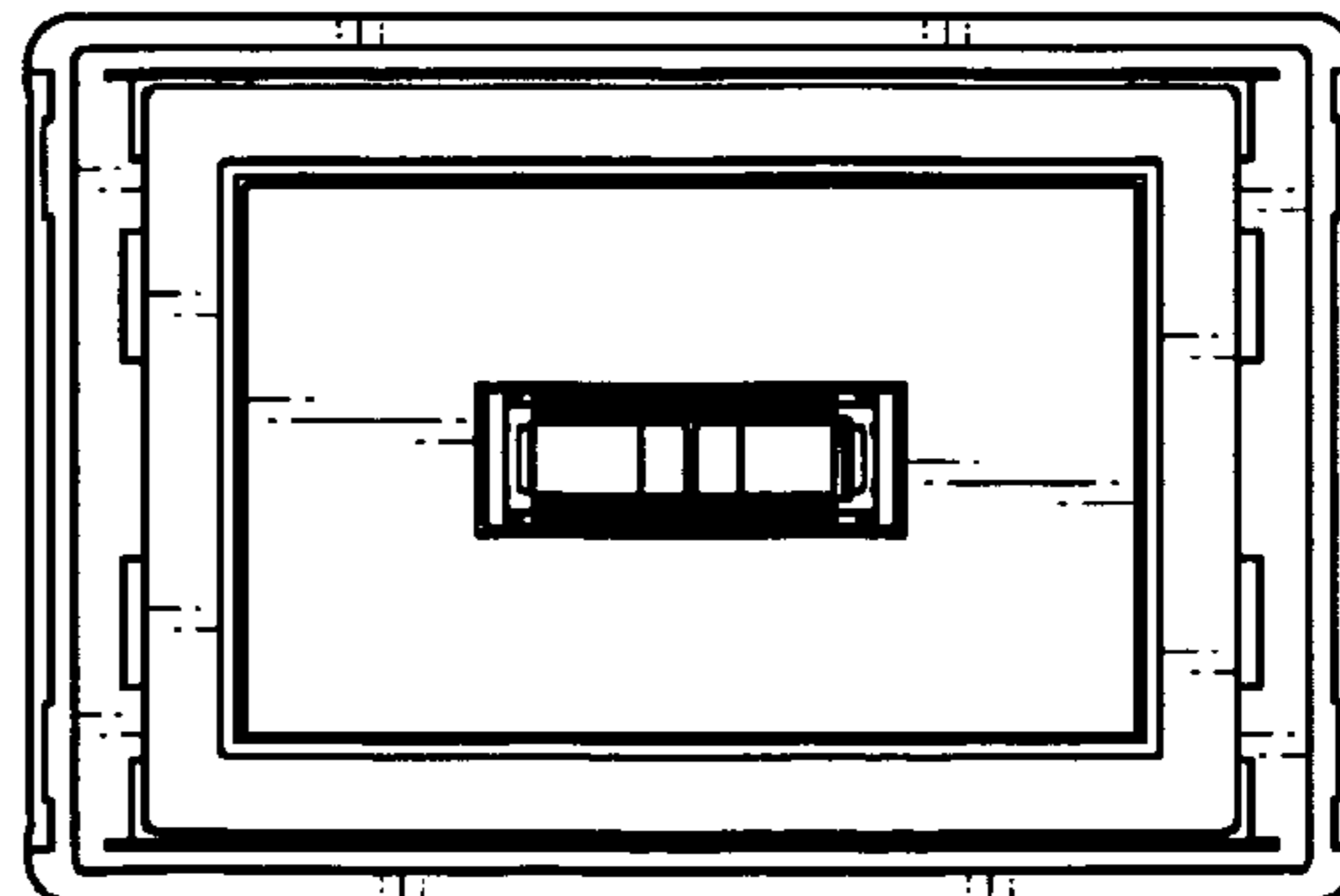


FIG.16

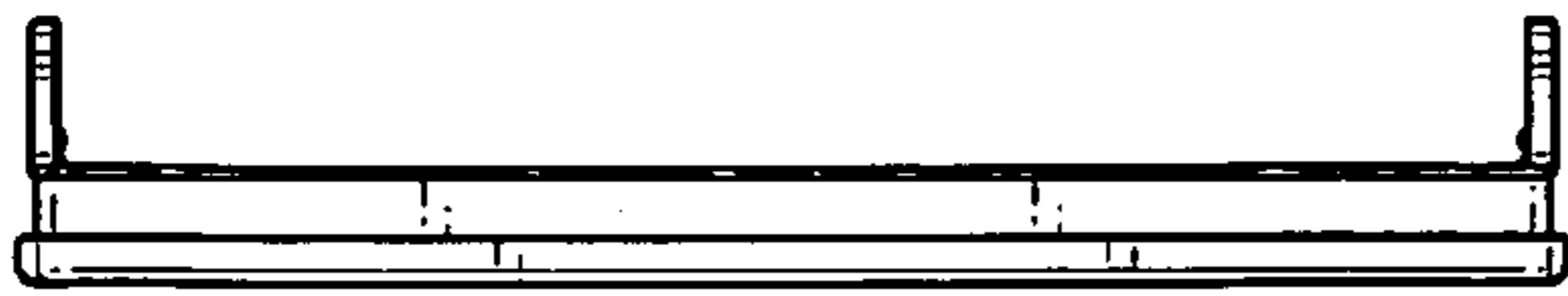


FIG.17

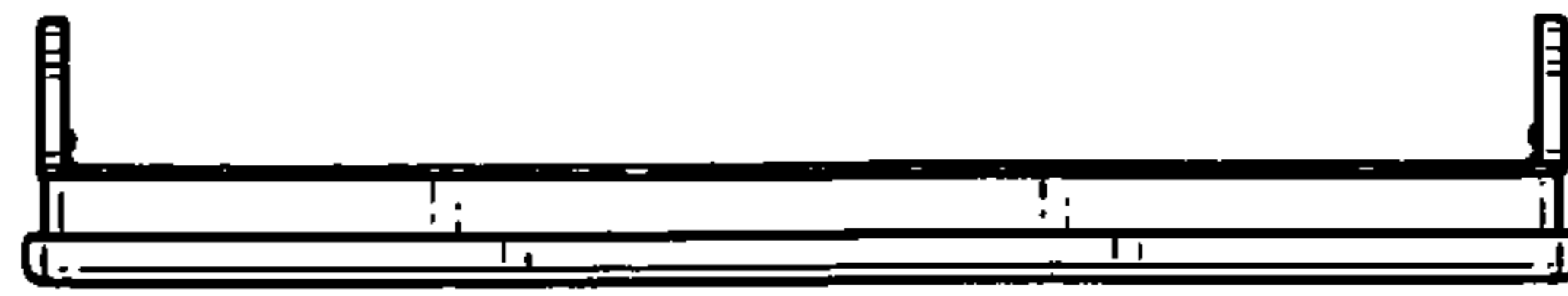


FIG.18



FIG.19

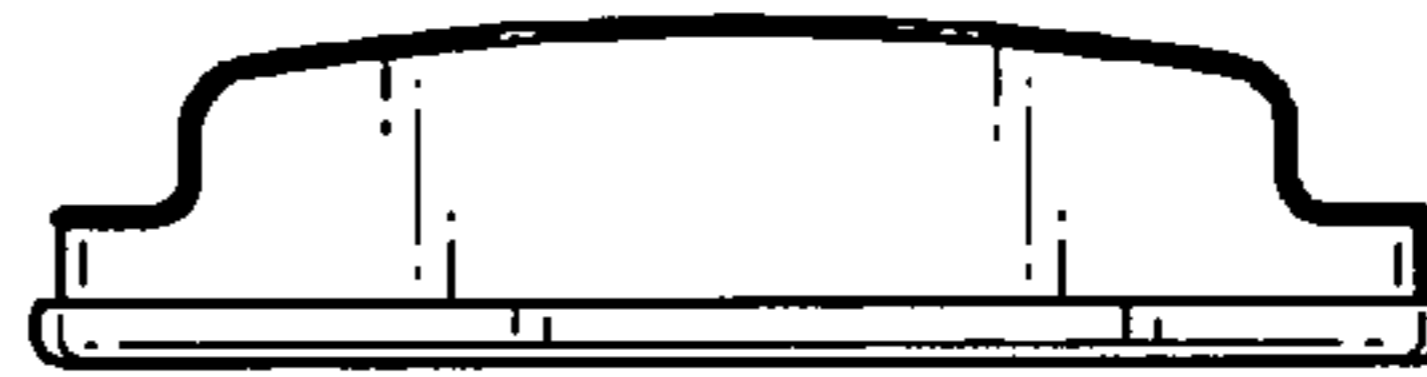


FIG.20

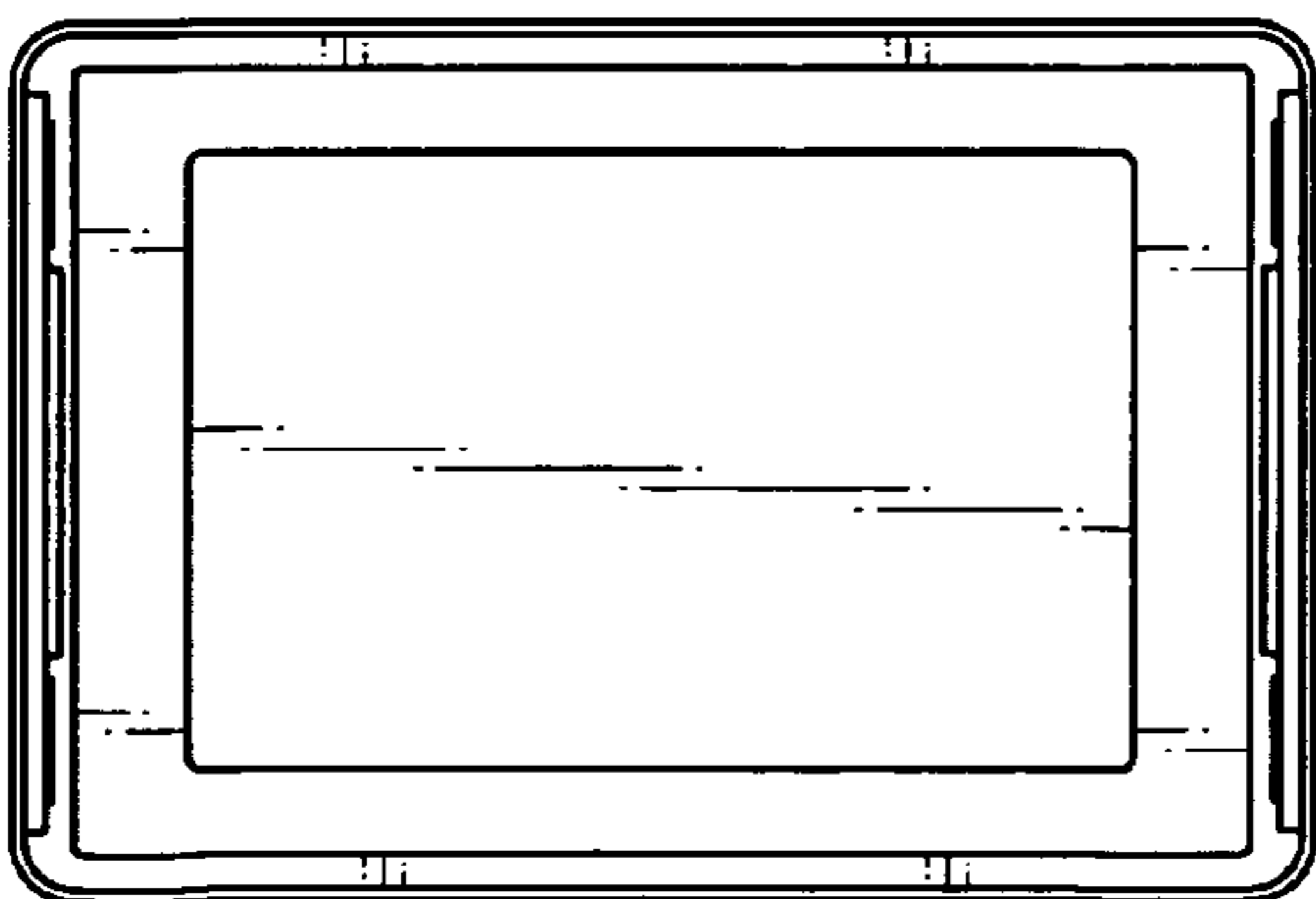


FIG.21

