



US00D584338S

(12) **United States Design Patent**  
**Lyng**

(10) **Patent No.:** **US D584,338 S**  
(45) **Date of Patent:** **\*\* Jan. 6, 2009**

(54) **COVER SHEET FOR GUITAR**

(76) Inventor: **Steen Lyng**, Kigutaarnat 9, GL-3905,  
Nuussuaq (GL)

(\*\*) Term: **14 Years**

(21) Appl. No.: **29/270,185**

(22) Filed: **Dec. 18, 2006**

(30) **Foreign Application Priority Data**

Jun. 19, 2006 (DK) ..... DA 2006 00159

(51) **LOC (9) Cl.** ..... **17-03**

(52) **U.S. Cl.** ..... **D17/20**

(58) **Field of Classification Search** ..... D17/14,  
D17/18, 19, 20; 84/7, 11, 173, 267-269,  
84/290-293, 453, 718, DIG. 24

See application file for complete search history.

(56) **References Cited**

**U.S. PATENT DOCUMENTS**

|           |      |         |               |       |        |
|-----------|------|---------|---------------|-------|--------|
| 4,829,870 | A *  | 5/1989  | Ralston       | ..... | 84/291 |
| 5,171,616 | A *  | 12/1992 | Dejima        | ..... | 428/22 |
| D359,647  | S *  | 6/1995  | Dardashti     | ..... | D6/629 |
| 5,517,891 | A *  | 5/1996  | Sica          | ..... | 84/453 |
| 5,889,221 | A *  | 3/1999  | Dejima        | ..... | 84/291 |
| 6,191,350 | B1 * | 2/2001  | Okulov et al. | ..... | 84/646 |

|              |      |         |                       |       |          |
|--------------|------|---------|-----------------------|-------|----------|
| 6,255,567    | B1 * | 7/2001  | Minakuchi             | ..... | 84/291   |
| 6,410,834    | B1 * | 6/2002  | Hearfield             | ..... | 84/453   |
| 2001/0052281 | A1 * | 12/2001 | Minakuchi             | ..... | 84/291   |
| 2005/0172785 | A1 * | 8/2005  | Fisher-Robbins et al. | ..... | 84/464 R |
| 2007/0163420 | A1 * | 7/2007  | Reiss et al.          | ..... | 84/329   |

**FOREIGN PATENT DOCUMENTS**

|    |            |     |        |
|----|------------|-----|--------|
| JP | 10124058   | A * | 5/1998 |
| JP | 2003255931 | A * | 9/2003 |

\* cited by examiner

*Primary Examiner*—Ian Simmons

*Assistant Examiner*—R. Johnson

(74) *Attorney, Agent, or Firm*—Cantor Colburn LLP

(57) **CLAIM**

I claim, the ornamental design for a cover sheet for guitar, as shown and described.

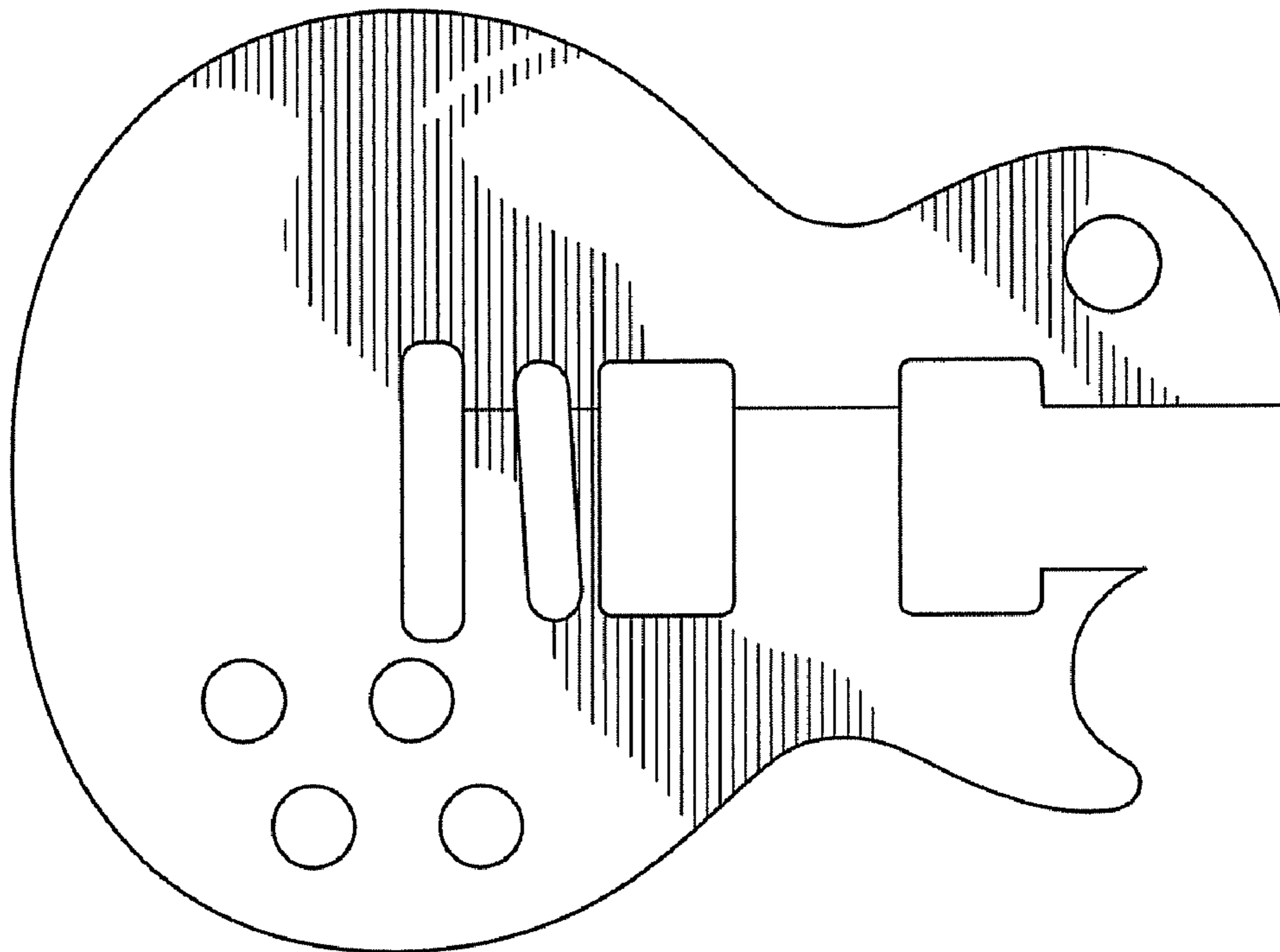
**DESCRIPTION**

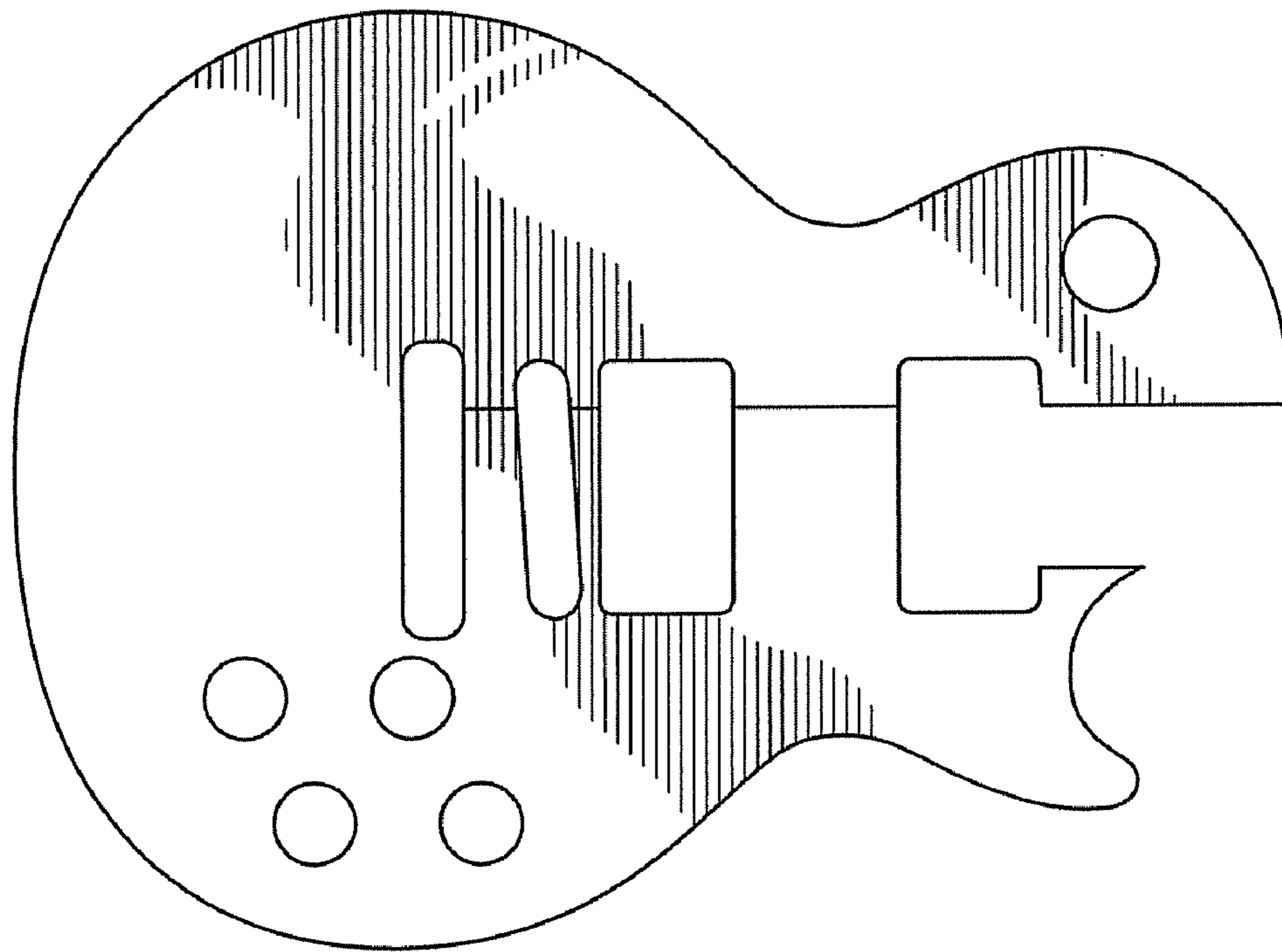
FIG. 1 is a front view of a cover sheet for guitar, showing my new design;

FIG. 2 is a perspective view thereof; and,

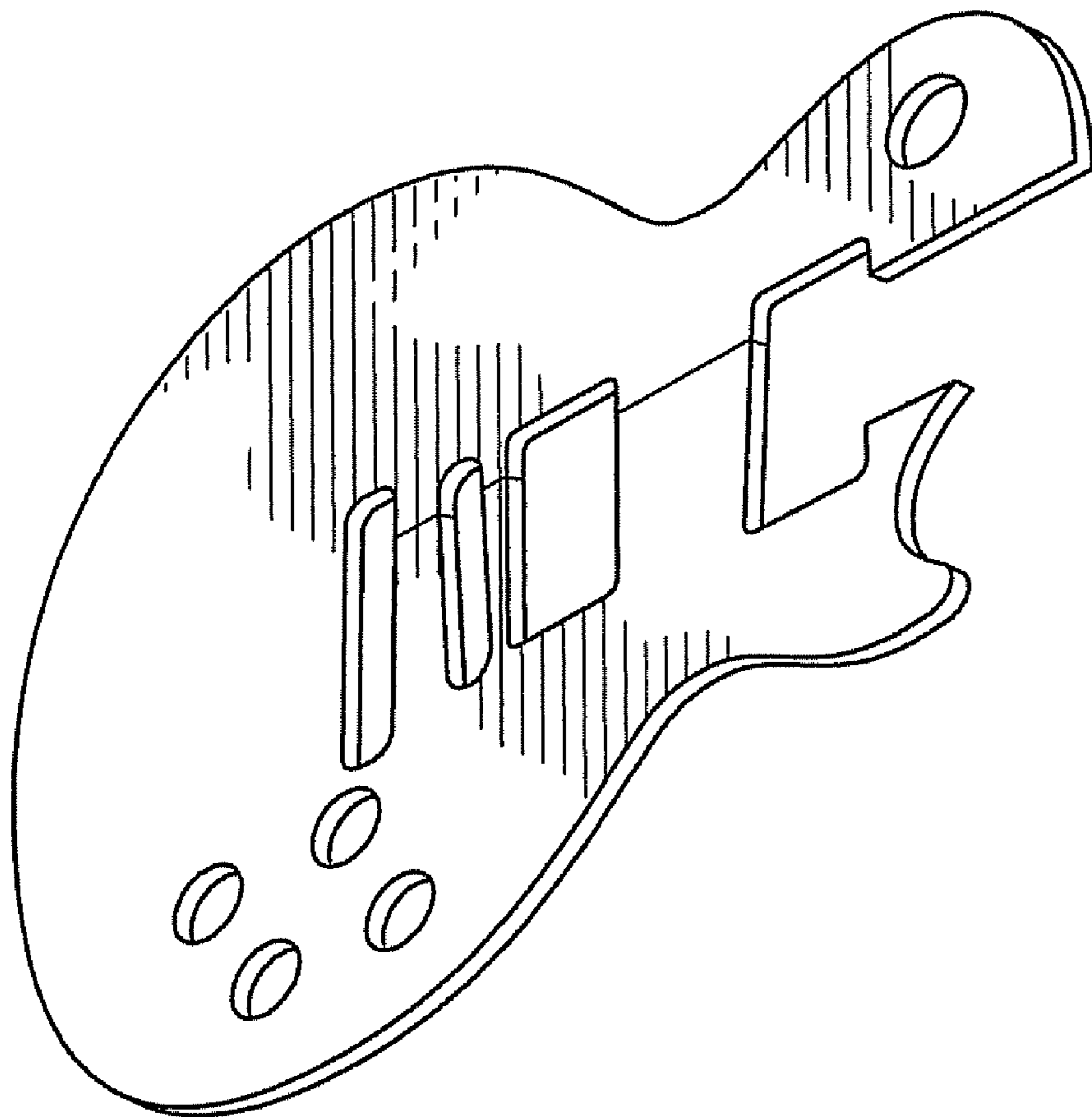
FIG. 3 is a front view thereof; the broken lines representing the remaining portions of the guitar form no part of the claimed design.

**1 Claim, 3 Drawing Sheets**





*FIG. 1*



**FIG. 2**

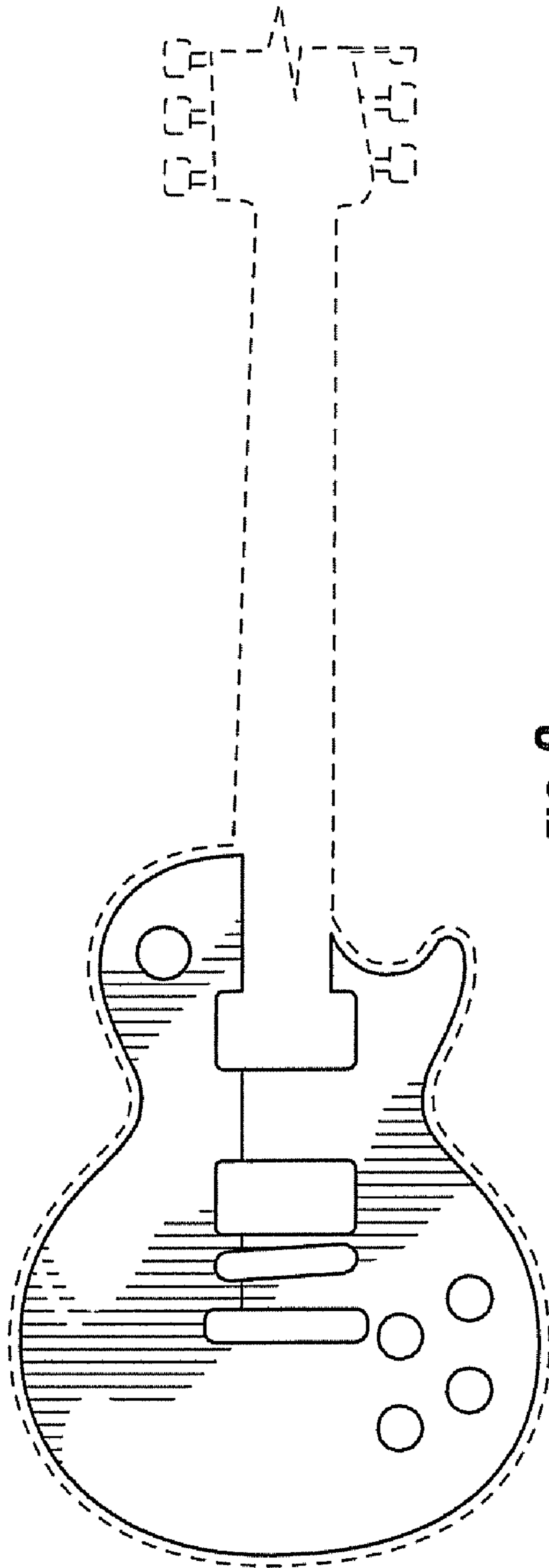


FIG. 3