



US00D584328S

(12) **United States Design Patent**
Sasaki

(10) **Patent No.:** **US D584,328 S**
(45) **Date of Patent:** **** Jan. 6, 2009**

(54) **LAMP FOR PROJECTOR**

(75) Inventor: **Fumihide Sasaki**, Matsumoto (JP)

(73) Assignee: **Seiko Epson Corporation**, Tokyo (JP)

(**) Term: **14 Years**

(21) Appl. No.: **29/304,700**

(22) Filed: **Mar. 6, 2008**

(30) **Foreign Application Priority Data**

Dec. 26, 2007 (JP) 2007-035569

(51) **LOC (9) Cl.** **16-02**

(52) **U.S. Cl.** **D16/235**

(58) **Field of Classification Search** D16/221,
D16/237, 225, 235-236; D26/1, 28, 24,
D26/36; 353/85, 87, 97-98, 119; 352/198,
352/203; 362/294, 368, 430, 227, 242, 362
See application file for complete search history.

(56) **References Cited**

U.S. PATENT DOCUMENTS

D420,455 S * 2/2000 Habu et al. D26/1
D424,089 S * 5/2000 Takizawa D16/221
6,461,025 B1 * 10/2002 Payne 362/374
7,052,147 B2 * 5/2006 Katsuma et al. 353/119
7,104,654 B2 * 9/2006 Tamaru et al. 353/85
D558,252 S * 12/2007 Matsumiya et al. D16/221

D561,232 S * 2/2008 Nishizawa et al. D16/235
D574,408 S * 8/2008 Kobayashi et al. D16/235
2007/0121083 A1 * 5/2007 Iinuma et al. 353/85

* cited by examiner

Primary Examiner—Ian Simmons
Assistant Examiner—Wan Laymon

(74) *Attorney, Agent, or Firm*—Oliff & Berridge, PLC

(57) **CLAIM**

The ornamental design for a lamp for projector, as shown and described.

DESCRIPTION

FIG. 1 is a front and top perspective view of a lamp for projector;

FIG. 2 is a rear and bottom perspective view thereof;

FIG. 3 is a front view thereof;

FIG. 4 is a rear view thereof;

FIG. 5 is a left-side view thereof;

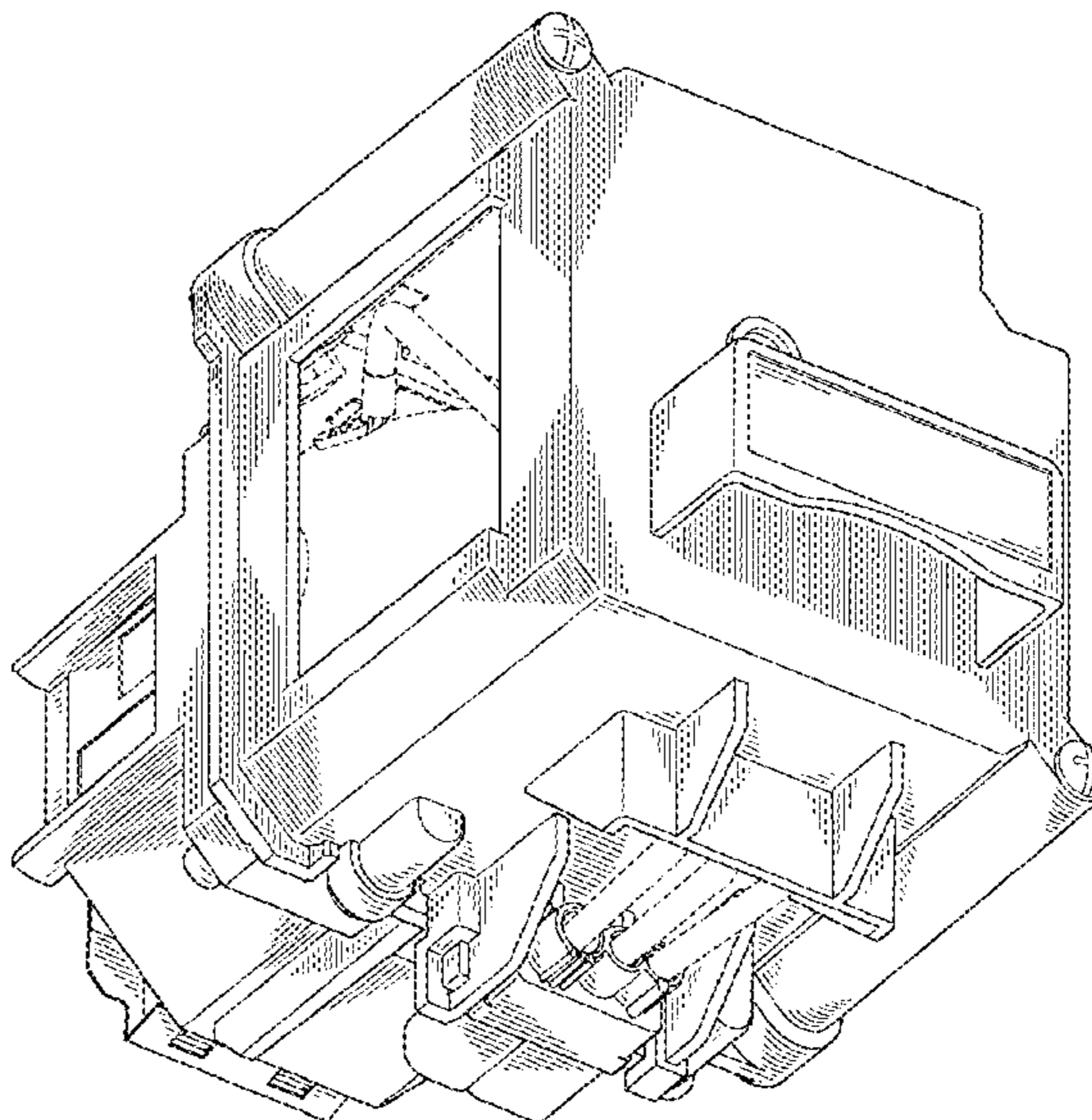
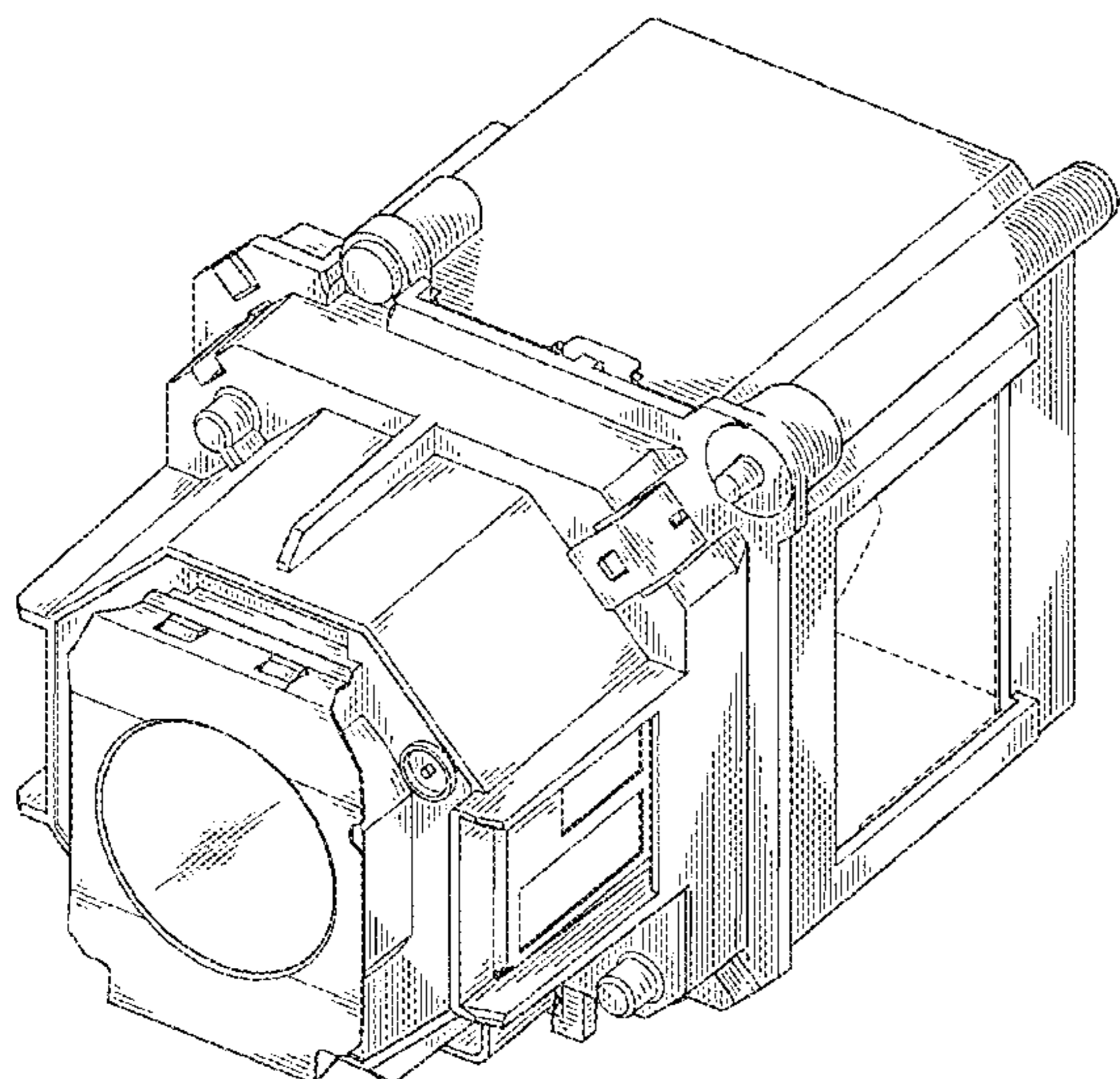
FIG. 6 is a right-side view thereof;

FIG. 7 is a top view thereof; and,

FIG. 8 is a bottom view thereof.

The broken lines depict environmental subject matter only and form no part of the claimed design.

1 Claim, 6 Drawing Sheets



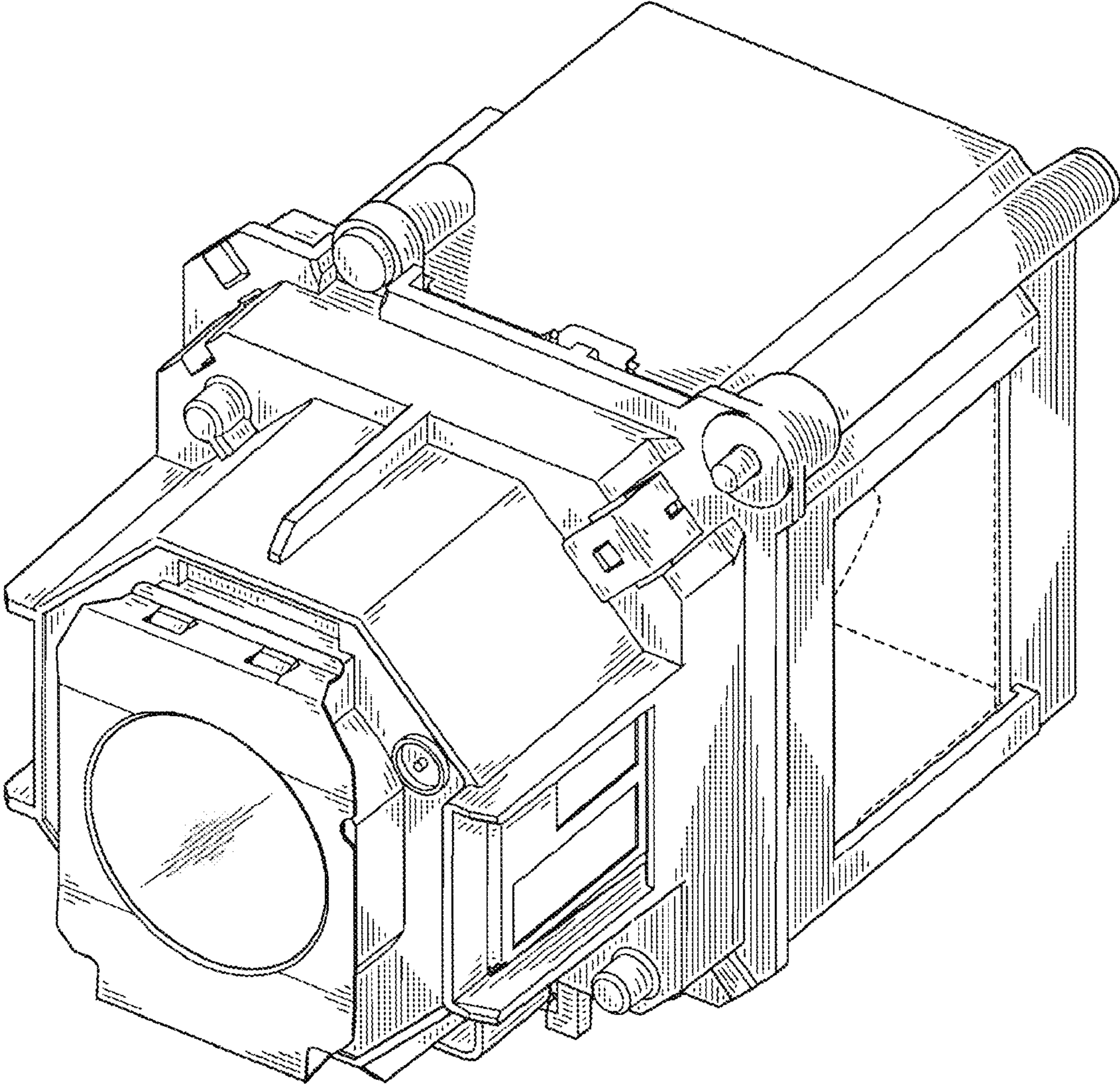


FIG. 1

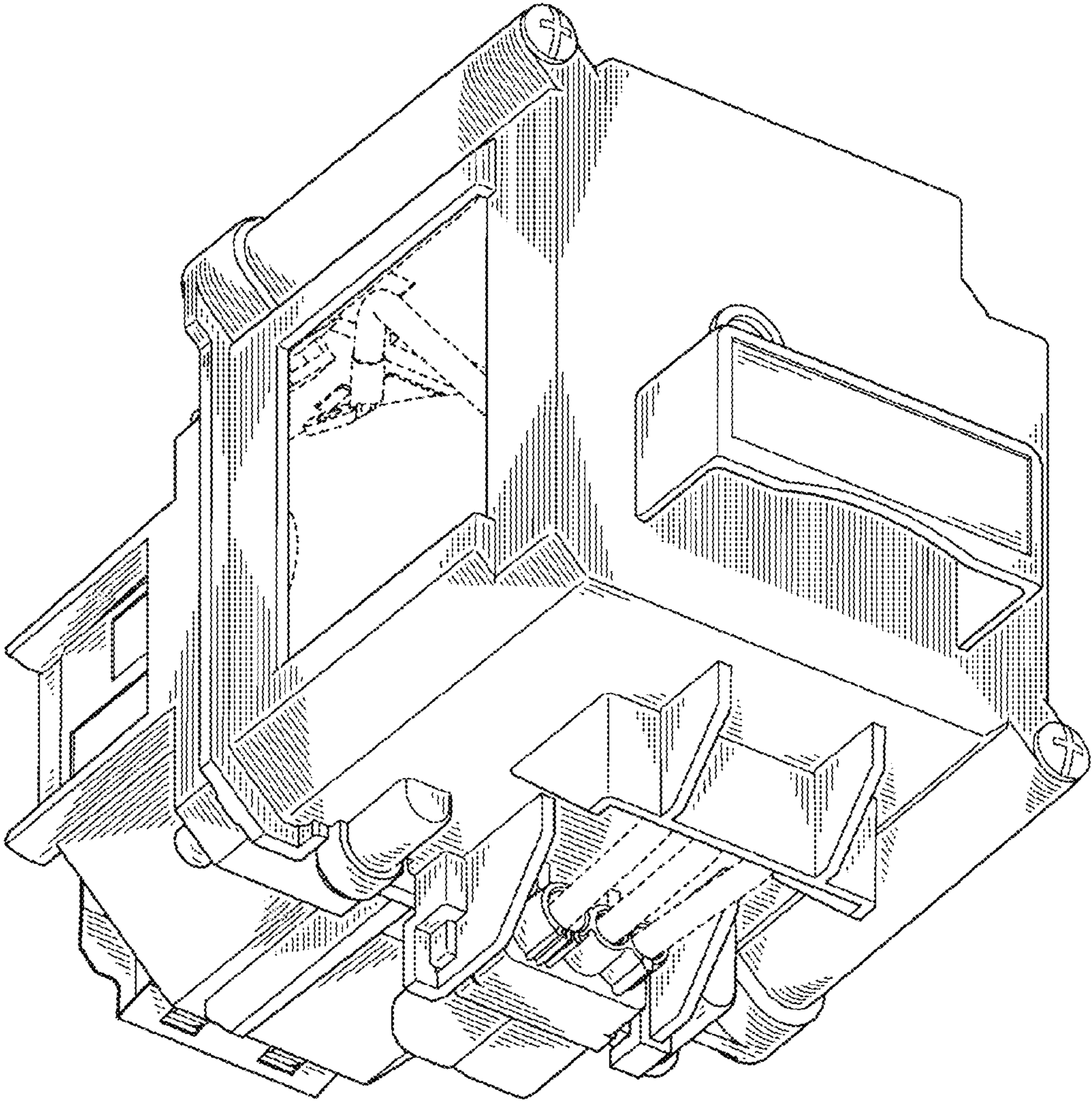


FIG. 2

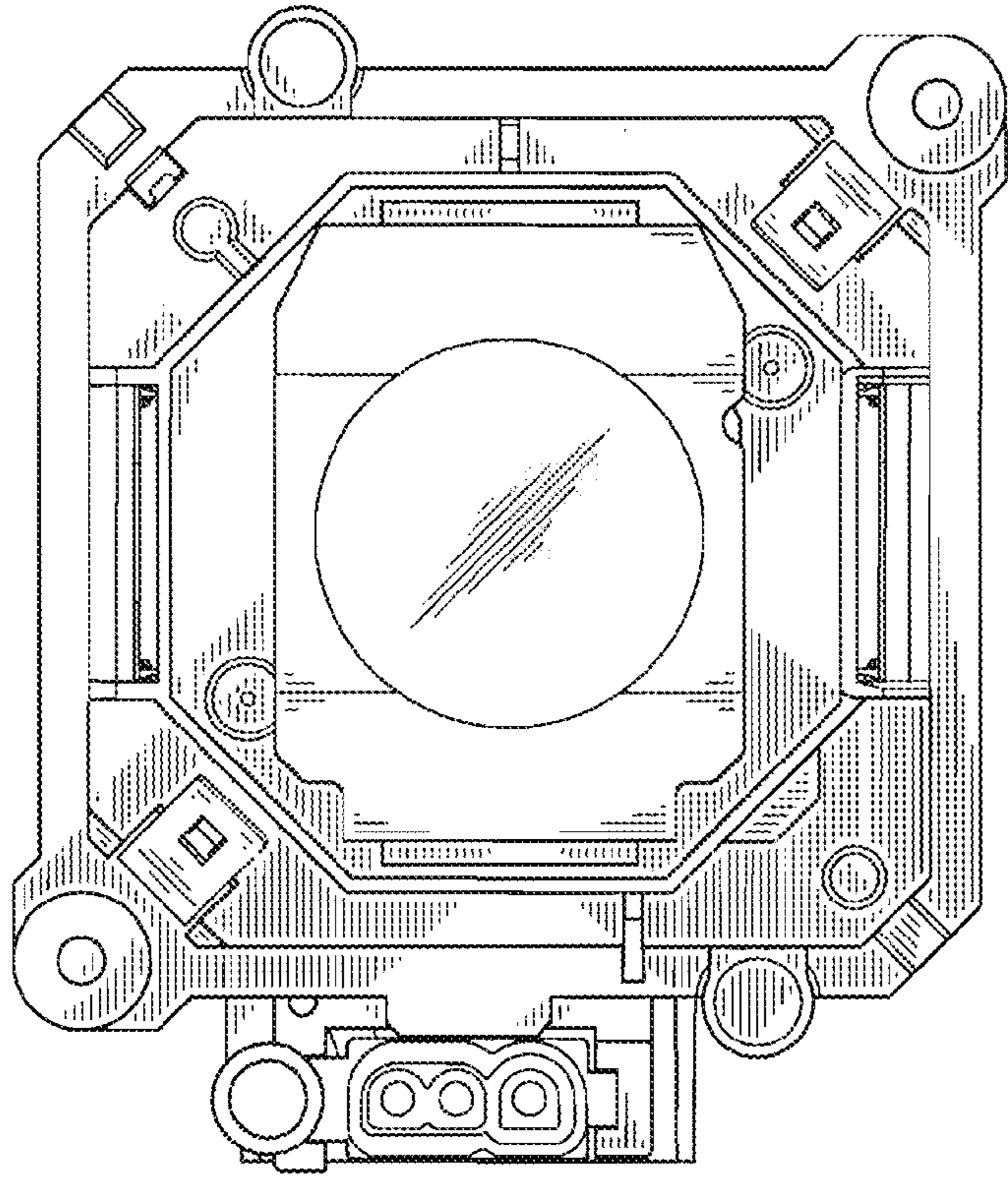


FIG. 3

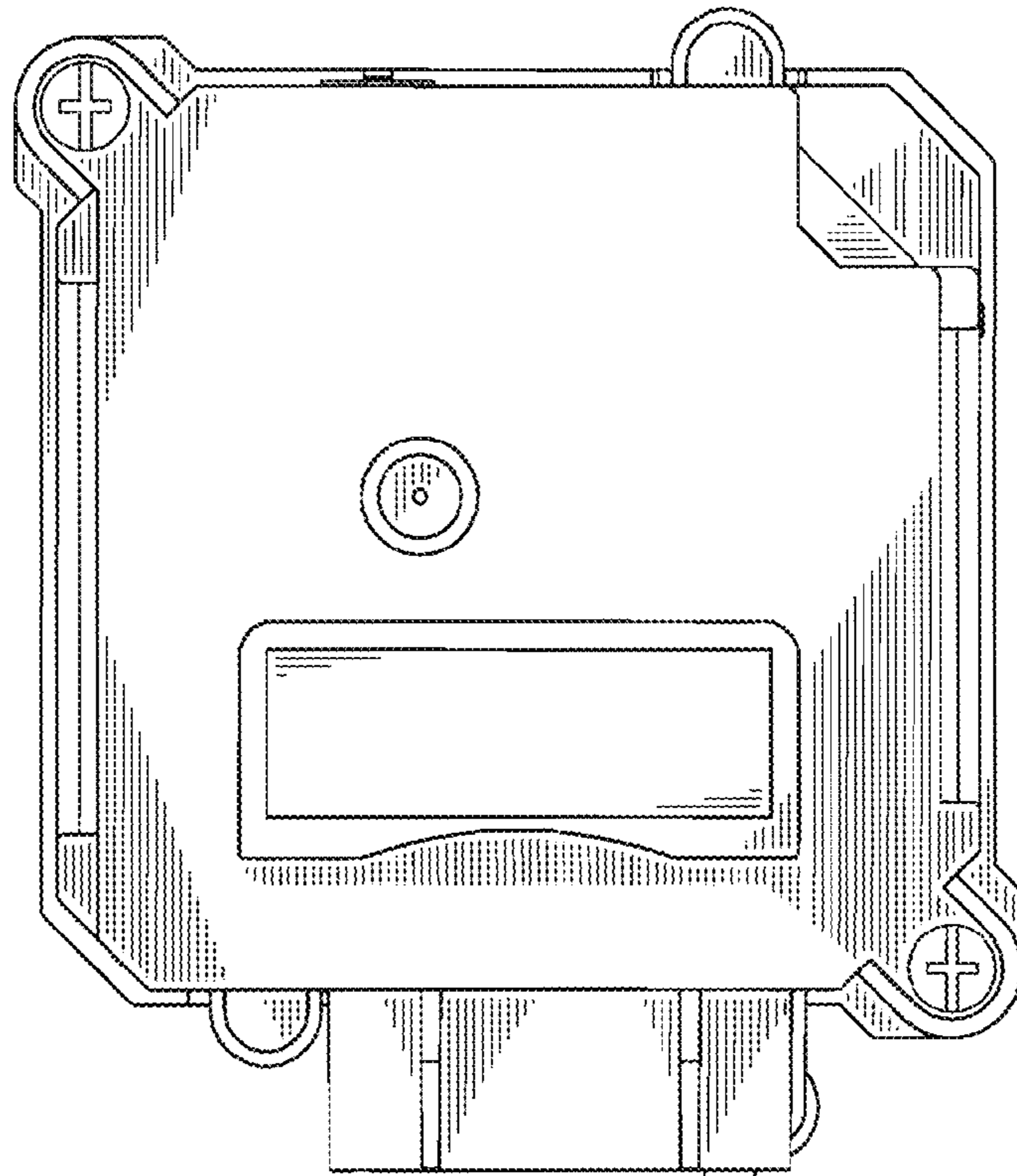
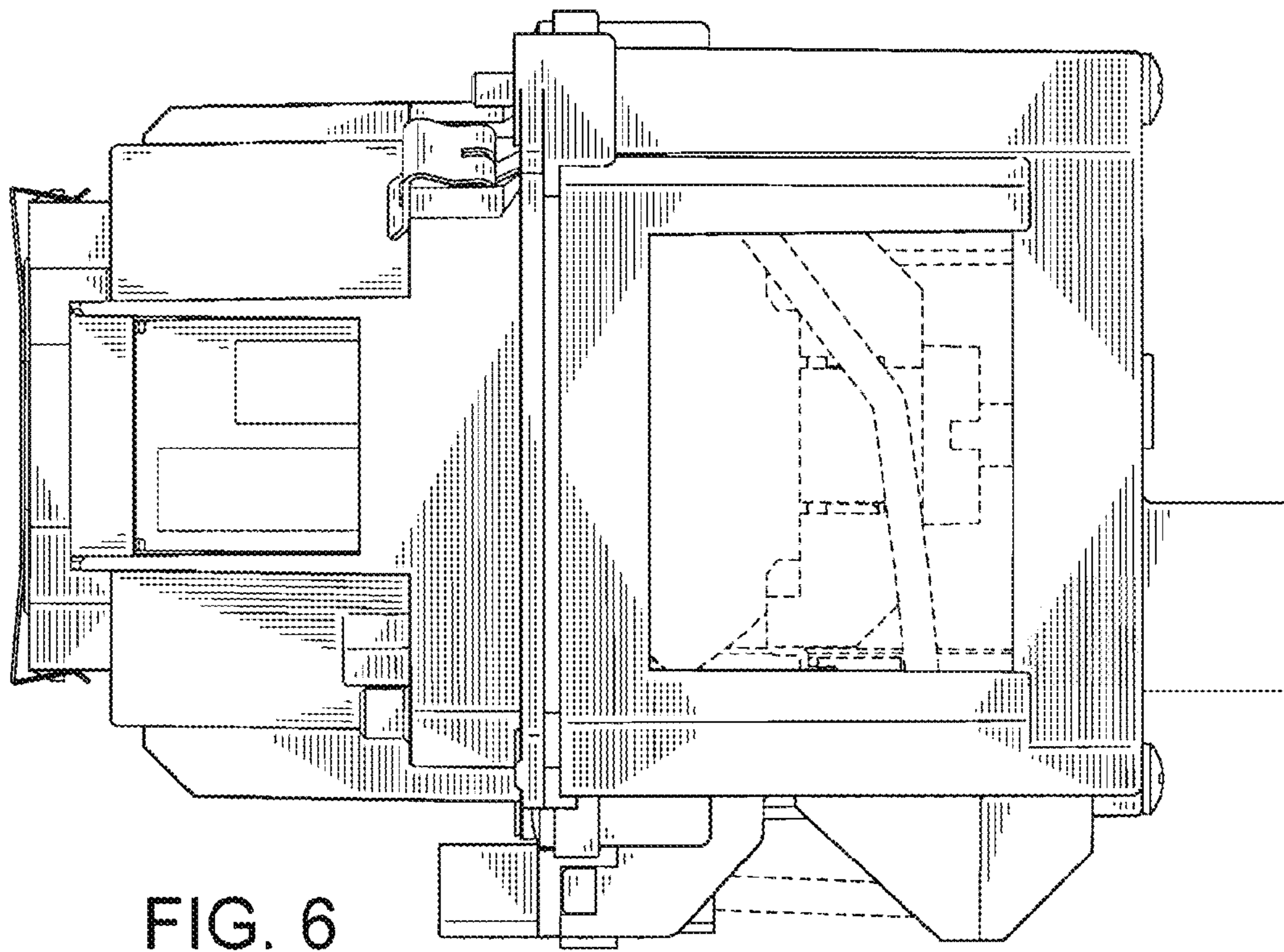
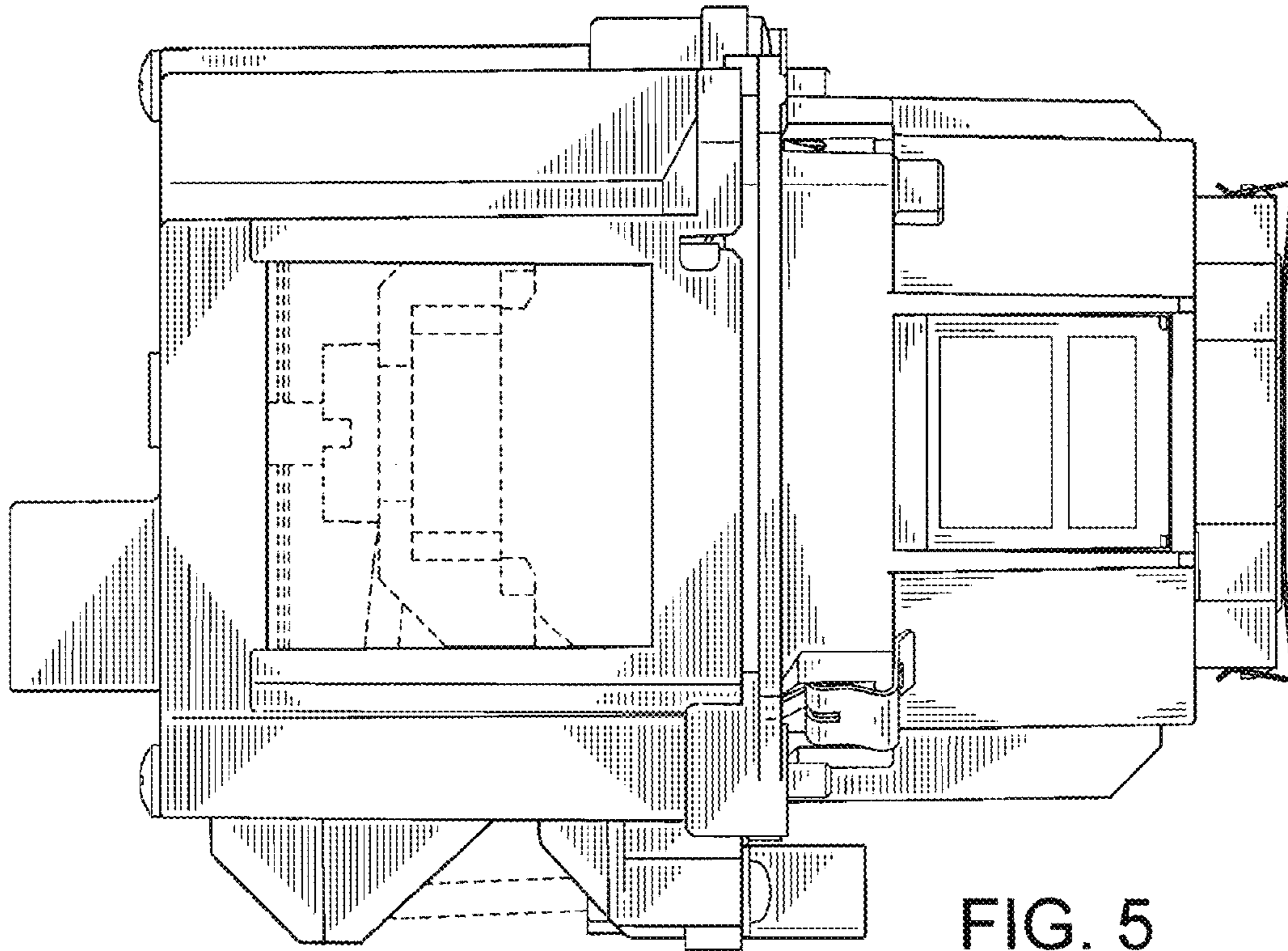


FIG. 4



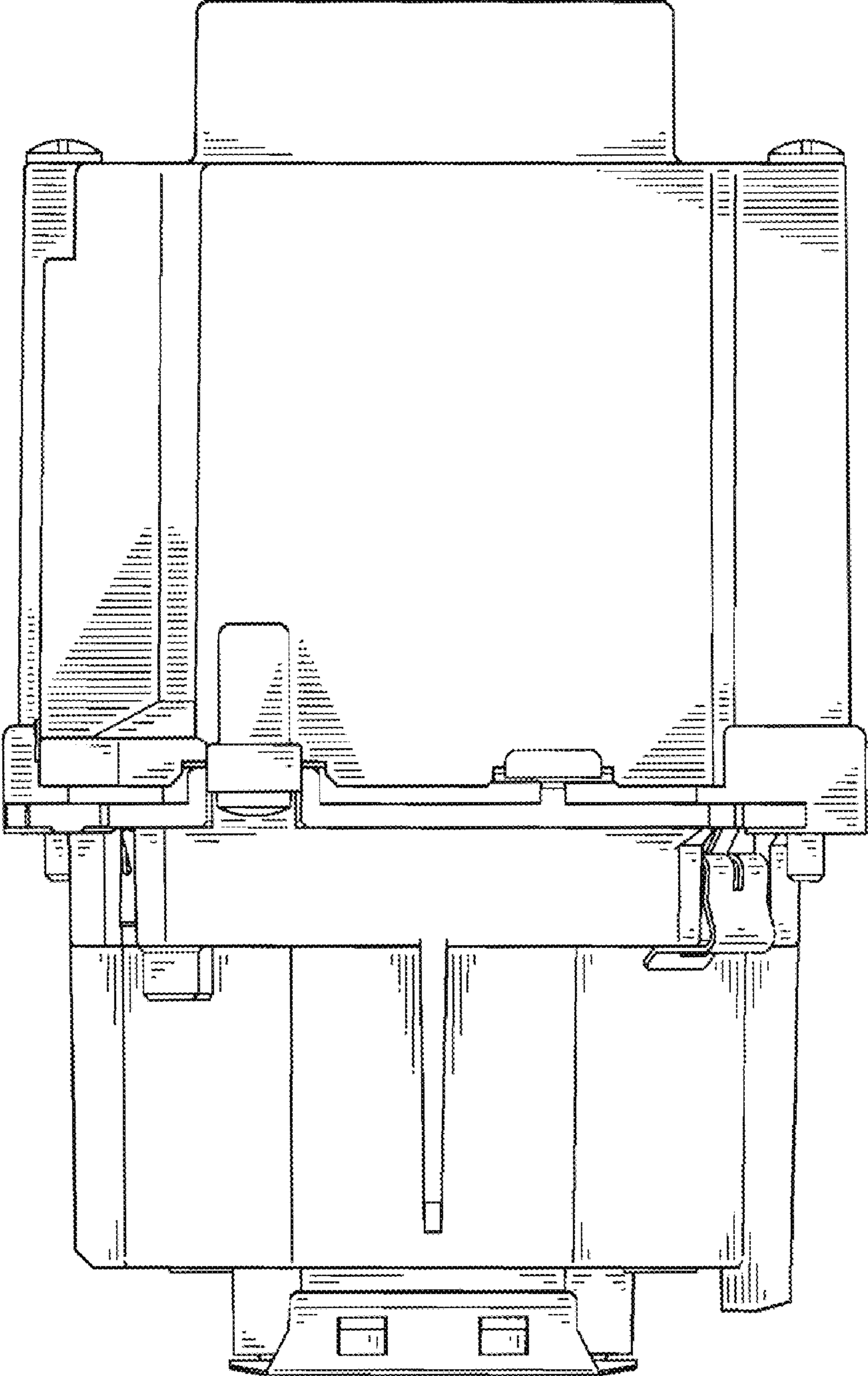


FIG. 7

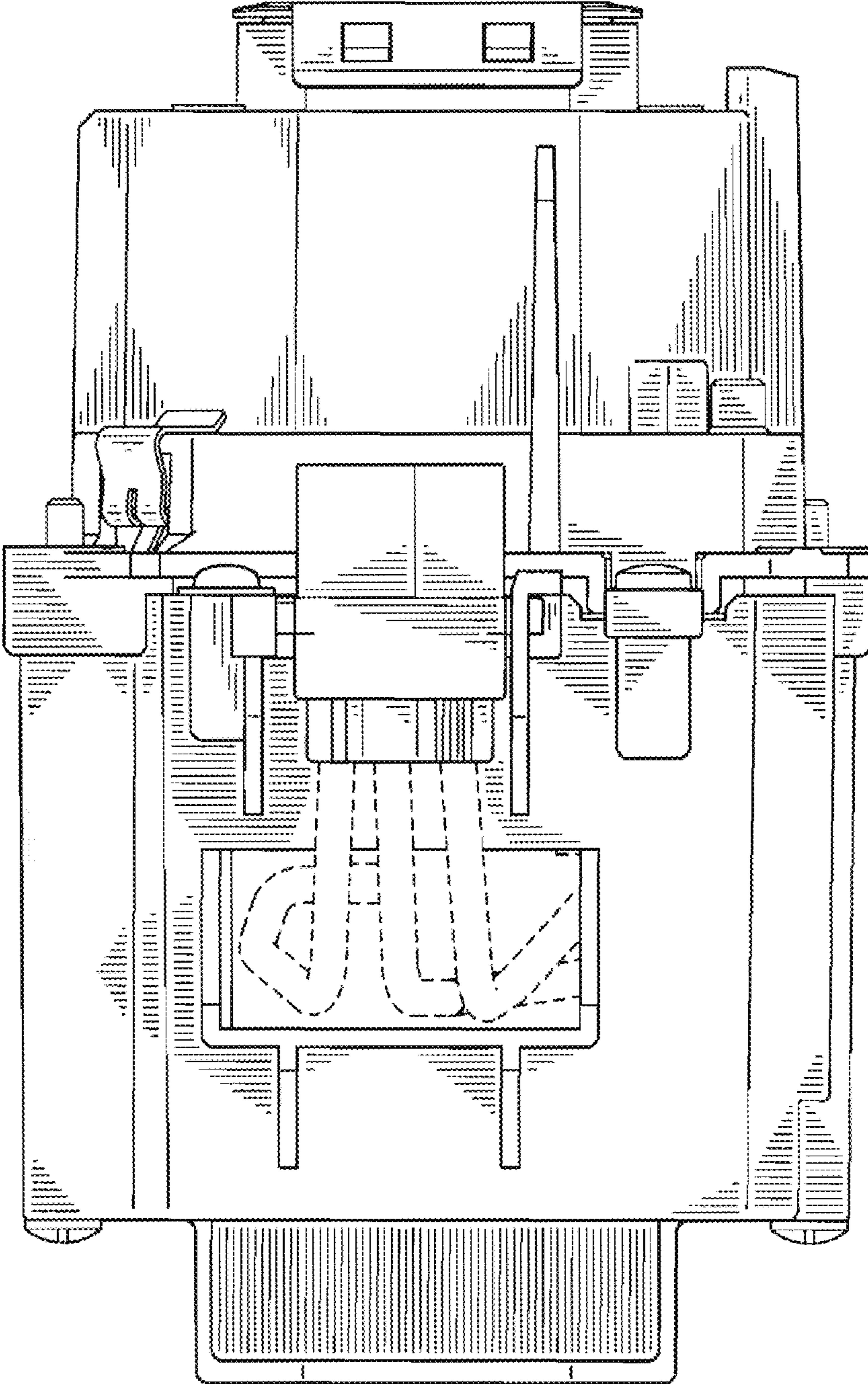


FIG. 8