



US00D584327S

(12) **United States Design Patent**
Kang et al.

(10) **Patent No.:** **US D584,327 S**
(45) **Date of Patent:** **** Jan. 6, 2009**

(54) **PROJECTOR**

D555,184 S * 11/2007 Rodriguez et al. D16/230

(75) Inventors: **Yun-Je Kang**, Seoul (KR); **Young-Sun Shin**, Seoul (KR); **Jae-Seung Song**, Seoul (KR)

OTHER PUBLICATIONS

U.S. Appl. No. 29/289,227, Applicant: Yun-Je Kang, et al., filed Jul. 12, 2007, entitled Projector.

(73) Assignee: **Samsung Electronics Co., Ltd.**, Suwon, Kyunggi-Do (KR)

* cited by examiner

(**) Term: **14 Years**

Primary Examiner—Ian Simmons

Assistant Examiner—Wan Laymon

(21) Appl. No.: **29/289,224**

(74) *Attorney, Agent, or Firm*—Flynn, Thiel, Boutell & Tanis, P.C.

(22) Filed: **Jul. 12, 2007**

(57) **CLAIM**

(51) **LOC (9) Cl.** **16-02**

The ornamental design for a projector, as shown and described.

(52) **U.S. Cl.** **D16/230; D16/225**

(58) **Field of Classification Search** D16/205, D16/208, 221, 225, 229, 230–231, 234–235; D24/514; D14/168, 188; 353/115, 119, 353/122; 352/242–243

DESCRIPTION

See application file for complete search history.

FIG. 1 is a top front perspective view of a projector showing our new design;

FIG. 2 is a front elevational view thereof;

FIG. 3 is a rear elevational view thereof;

FIG. 4 is a left side elevational view thereof;

FIG. 5 is a right side elevational view thereof;

FIG. 6 is a top plan view thereof; and,

FIG. 7 is a bottom plan view thereof.

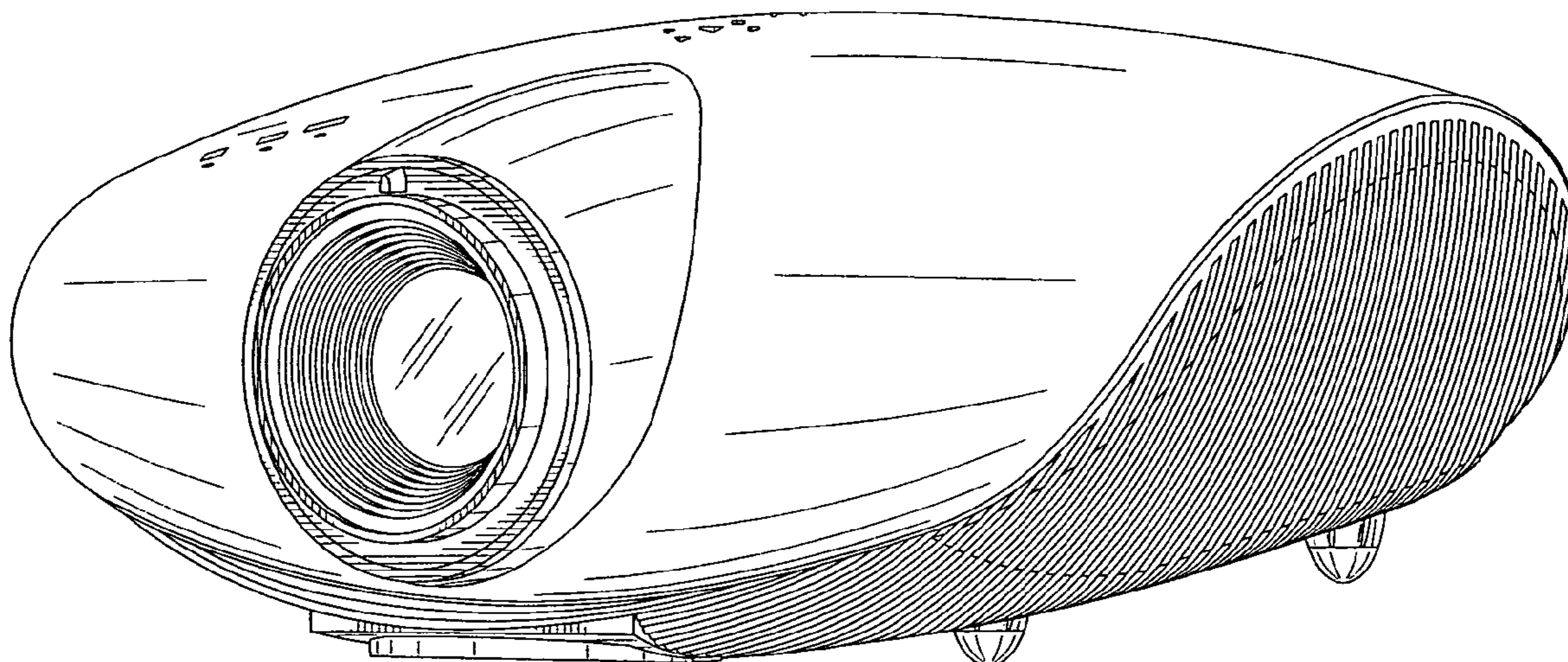
The broken lines are for illustrative purposes only and form no part of the claimed design.

(56) **References Cited**

U.S. PATENT DOCUMENTS

D457,179 S	*	5/2002	Saeki et al.	D16/230
D476,024 S	*	6/2003	Shimamoto	D16/230
D499,083 S	*	11/2004	Tanaka	D14/168
D502,486 S	*	3/2005	Kawasaki et al.	D16/230
D539,326 S	*	3/2007	Schoenert et al.	D16/230
D540,775 S	*	4/2007	Zhang	D14/168
D546,864 S		7/2007	Kim		
D552,150 S	*	10/2007	Salvatori et al.	D16/230

1 Claim, 7 Drawing Sheets



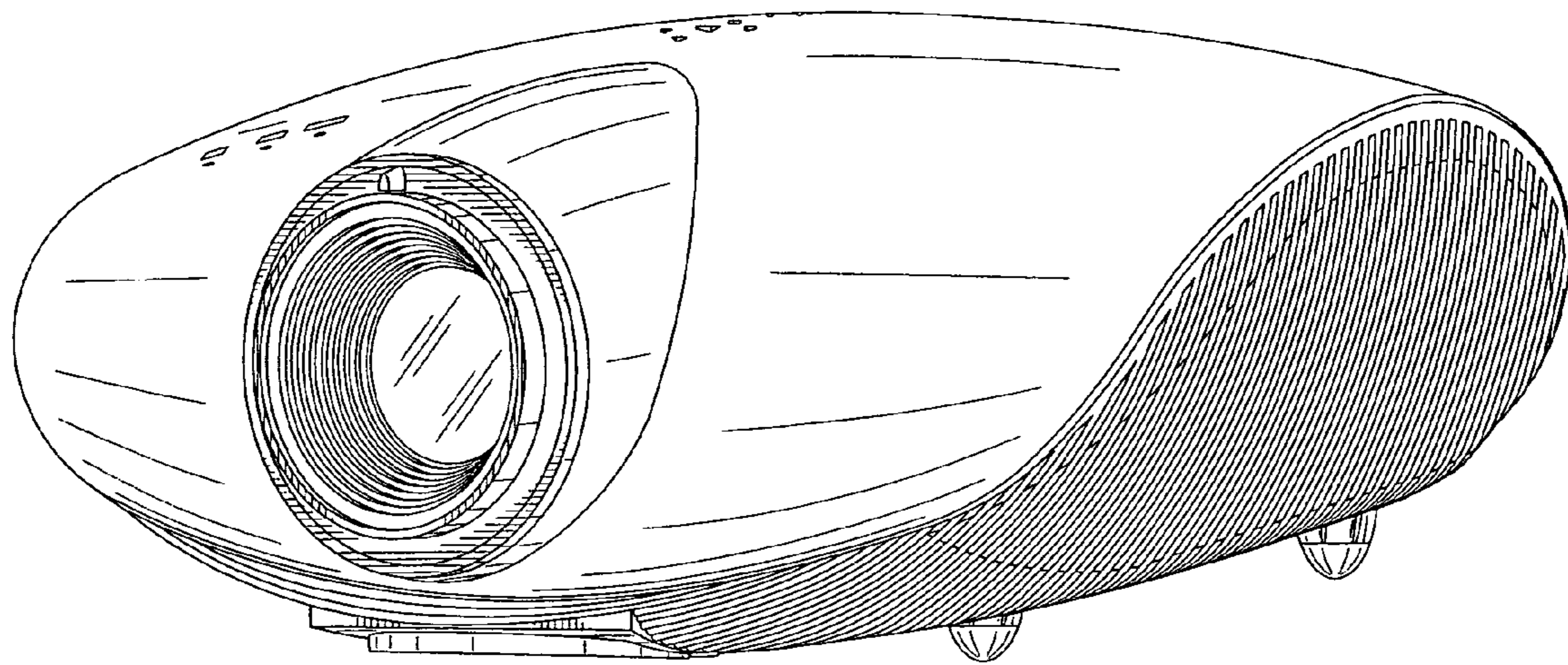


FIG. 1

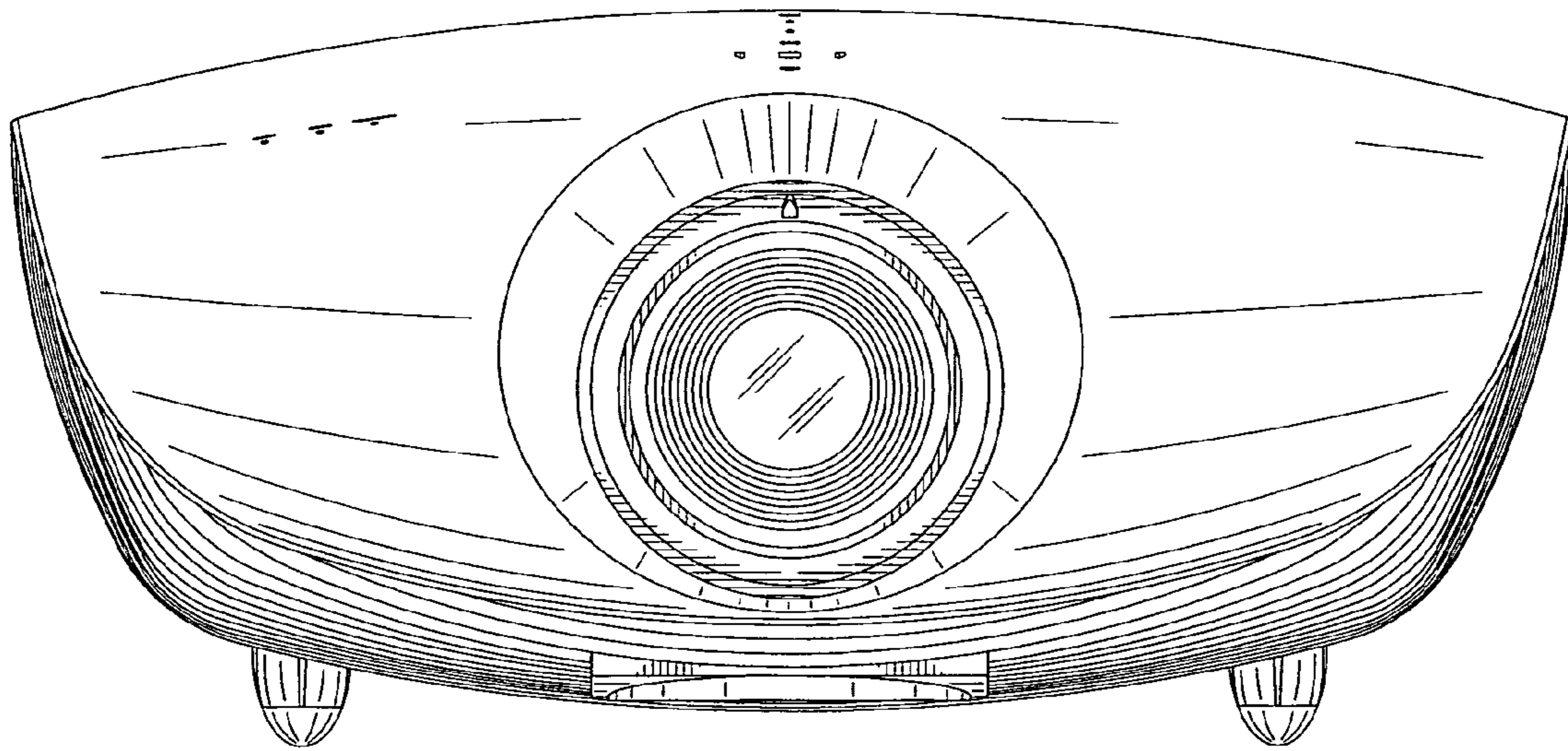


FIG. 2

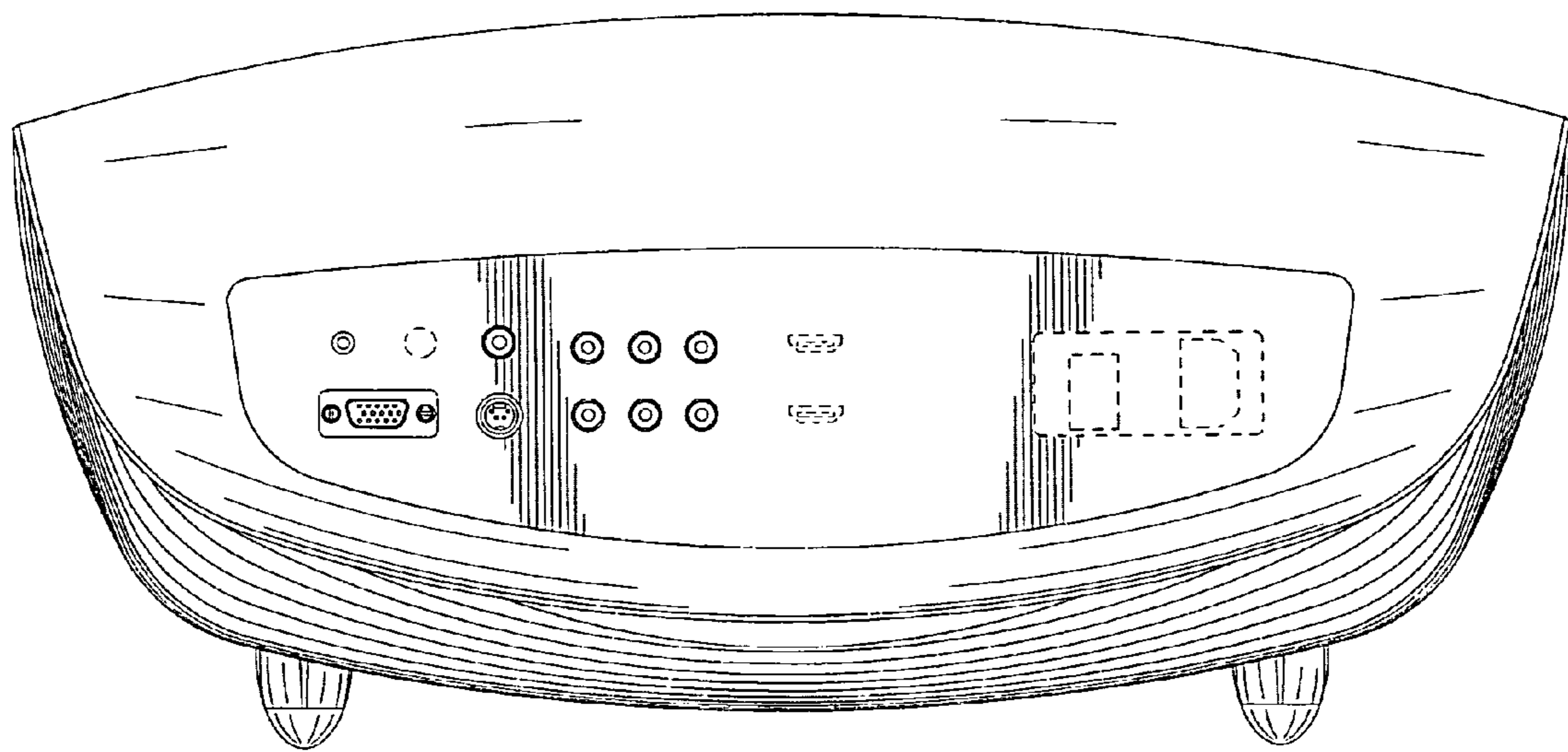


FIG.3

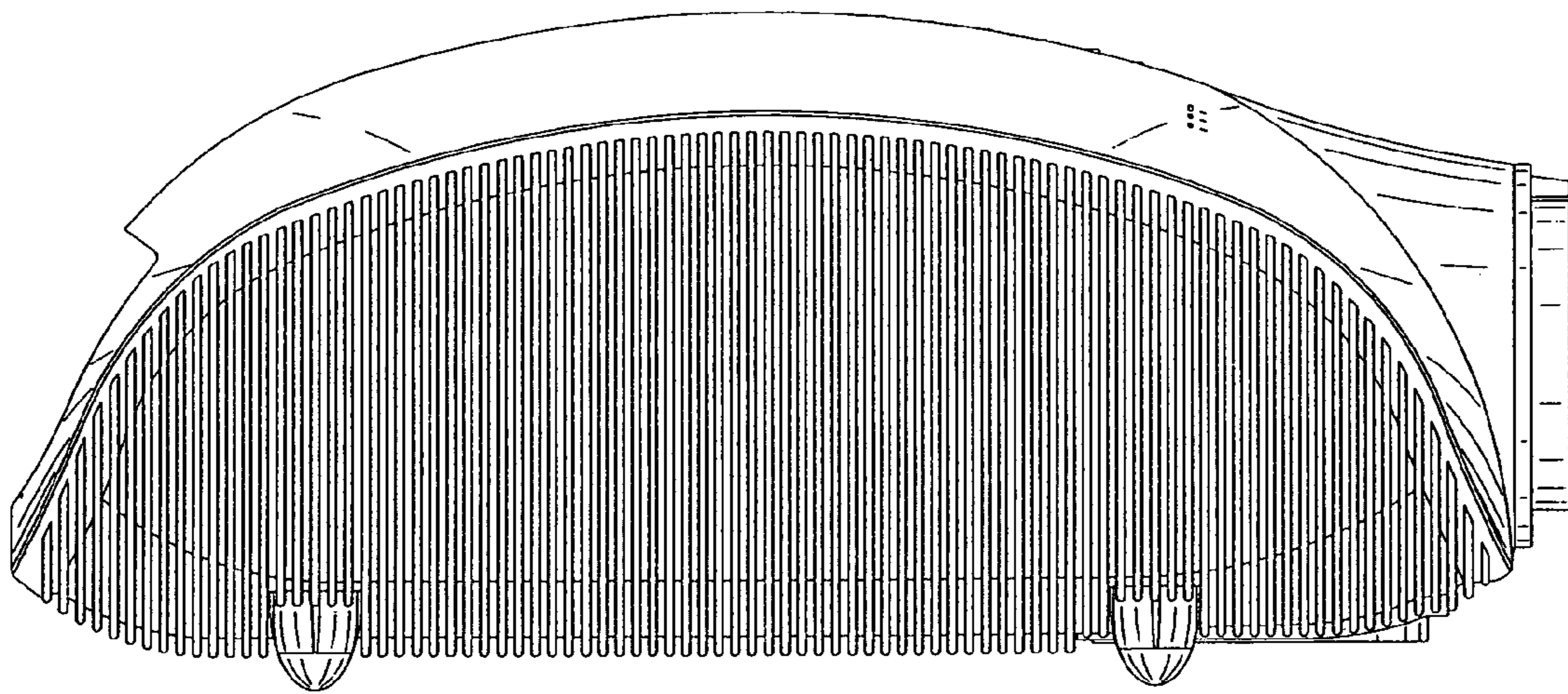


FIG. 4

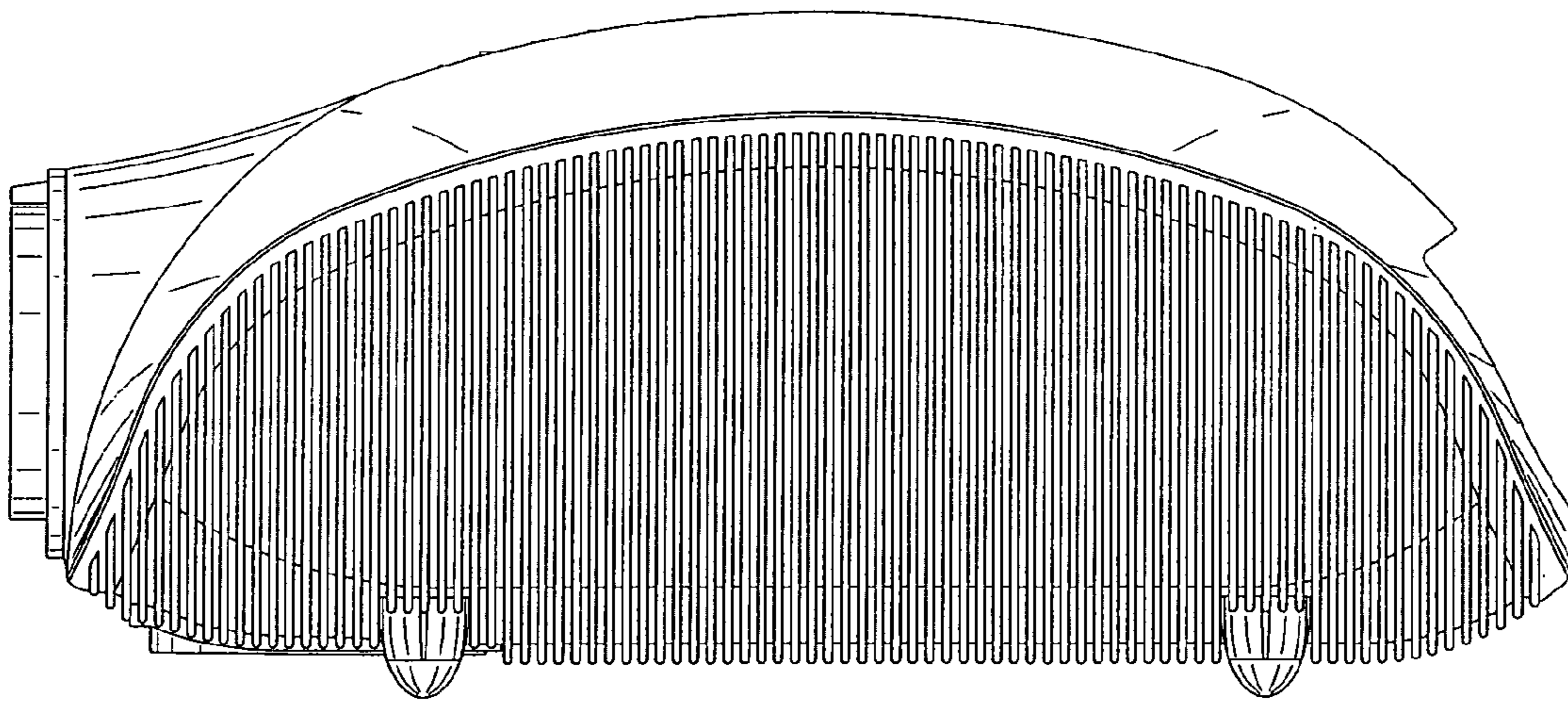


FIG. 5

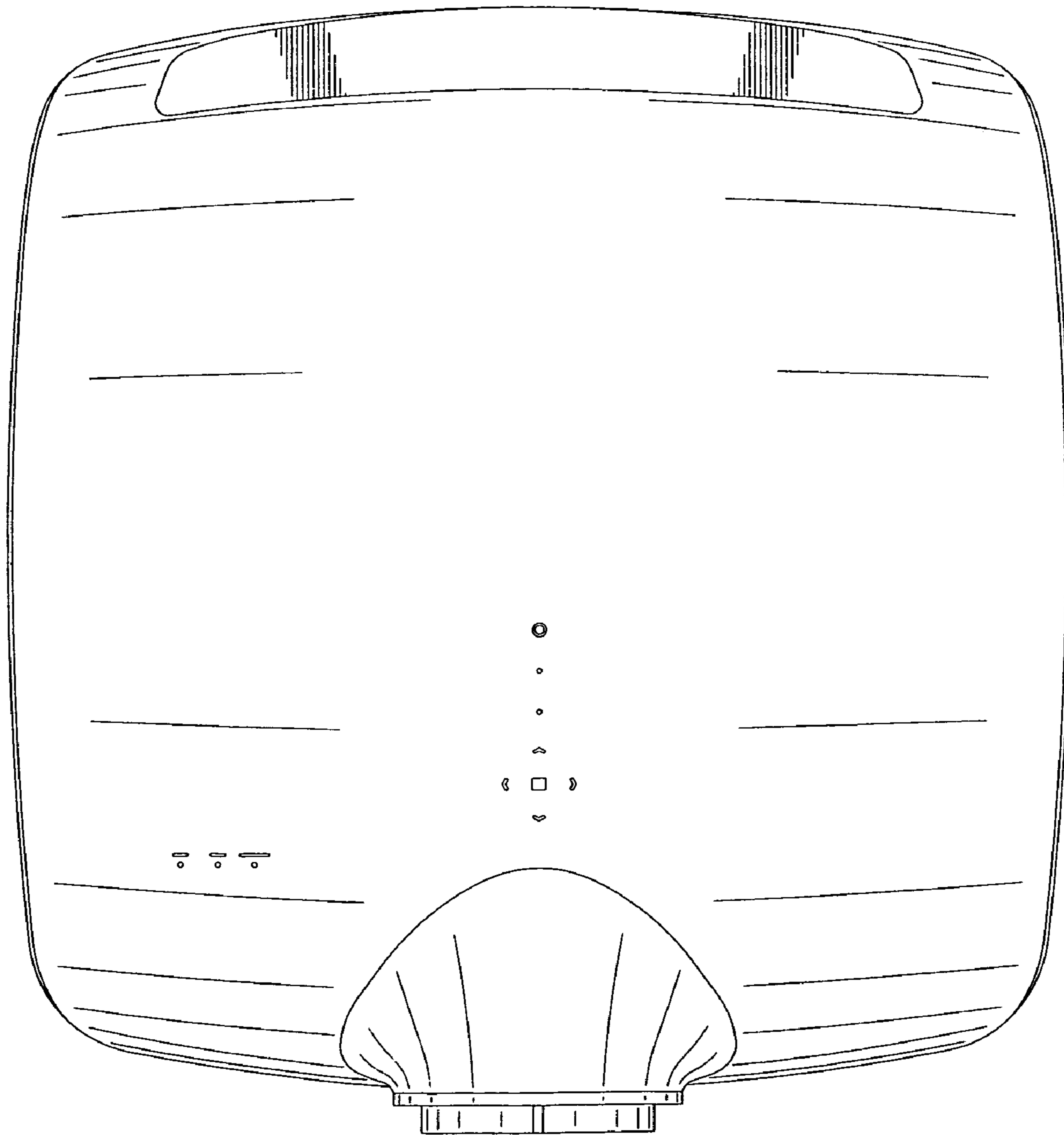


FIG. 6

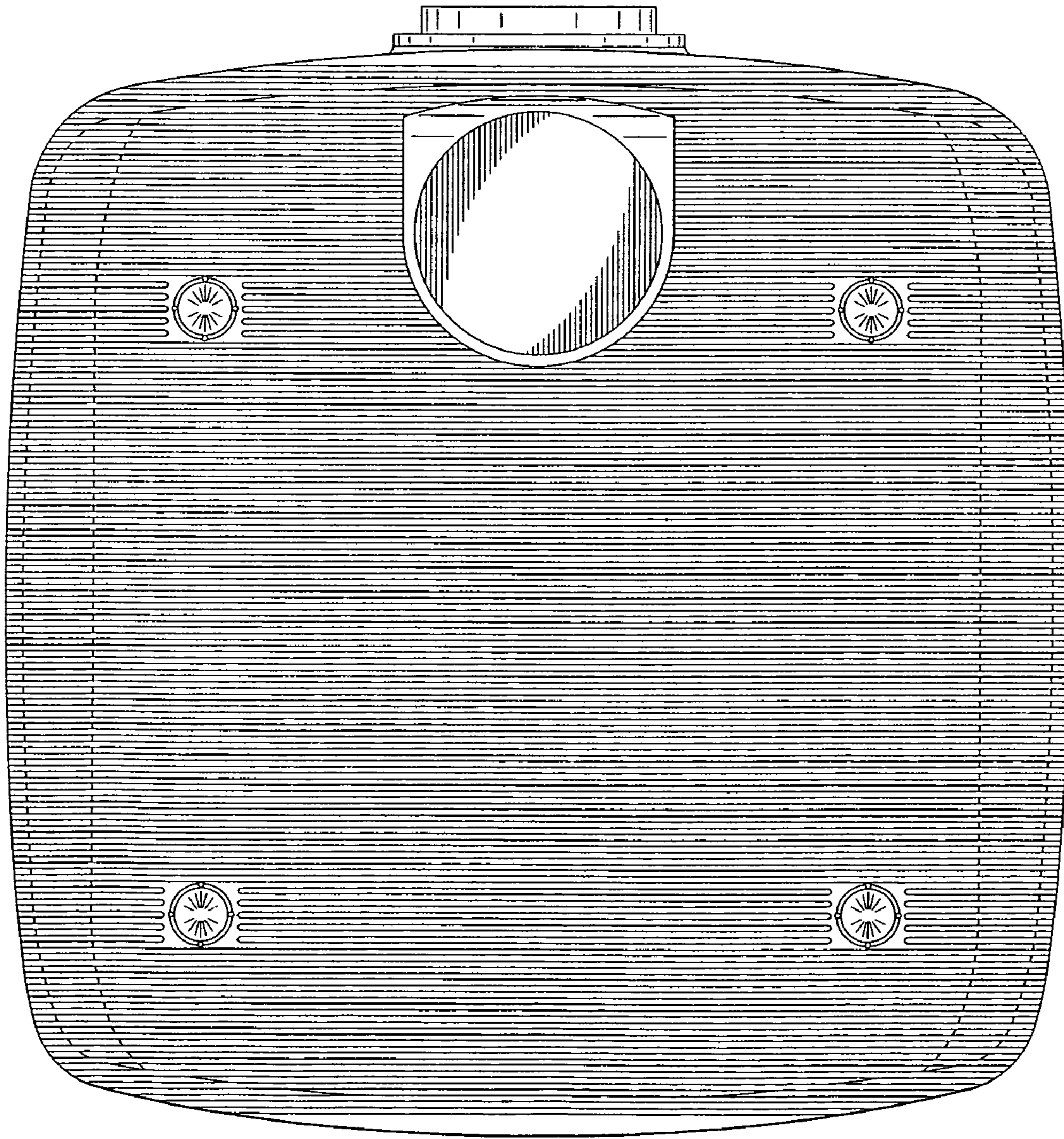


FIG. 7