



US00D584326S

(12) **United States Design Patent**
Hayashi

(10) **Patent No.:** **US D584,326 S**
(45) **Date of Patent:** **** Jan. 6, 2009**

(54) **DIGITAL CAMERA**

(75) Inventor: **Tatsuyuki Hayashi**, Tokyo (JP)

(73) Assignee: **PENTAX Corporation**, Tokyo (JP)

(**) Term: **14 Years**

(21) Appl. No.: **29/299,113**

(22) Filed: **Dec. 19, 2007**

(30) **Foreign Application Priority Data**

Jul. 11, 2007 (JP) 2007-018804

(51) **LOC (9) Cl.** **16-05**

(52) **U.S. Cl.** **D16/219**

(58) **Field of Classification Search** D16/200–204,
D16/208, 218, 219; 348/373–376; 358/909.1;
396/535–541

See application file for complete search history.

(56) **References Cited**

U.S. PATENT DOCUMENTS

D484,166 S	*	12/2003	Senda	D16/219
D508,512 S	*	8/2005	Suzuki	D16/219
D521,038 S	*	5/2006	Takagi	D16/202
D531,653 S	*	11/2006	Lee	D16/219
D532,810 S	*	11/2006	Kim	D16/219
D557,724 S	*	12/2007	Katayama	D16/219

OTHER PUBLICATIONS

U.S. Appl. No. 29/299,096, Tatsuyuki Hayashi, filed Dec. 19, 2007.

U.S. Appl. No. 29/299,151, Tatsuyuki Hayashi, filed Dec. 20, 2007.

Panasonic, DMC-FX30-K, <http://prodb.matsushita.co.jp/product/image.do?pg=10&vhb=DMC-FX30-K&ghj=1>, Feb. 7, 2008.

Panasonic, DMC-FX8-K, <http://prodb.matsushita.co.jp/product/image.do?pg=10&vhb=DMC-FX8-K&ghj=321>, Feb. 7, 2008.

Panasonic, DMC-FX01-K, <http://prodb.matsushita.co.jp/product/image.do?pg=10&vhb=DMC-FX01-K&ghj=1>, Feb. 7, 2008.

* cited by examiner

Primary Examiner—Adir Aronovich

(74) *Attorney, Agent, or Firm*—Sughure Mion, PLLC

(57) **CLAIM**

The ornamental design for a digital camera, as shown and described.

DESCRIPTION

FIG. 1 is a perspective view of the top, front and right side of a digital camera showing my new design

FIG. 2 is a perspective view of the bottom, rear and left side thereof;

FIG. 3 is a front elevational view thereof;

FIG. 4 is a rear elevational view thereof;

FIG. 5 is a left side elevational view thereof;

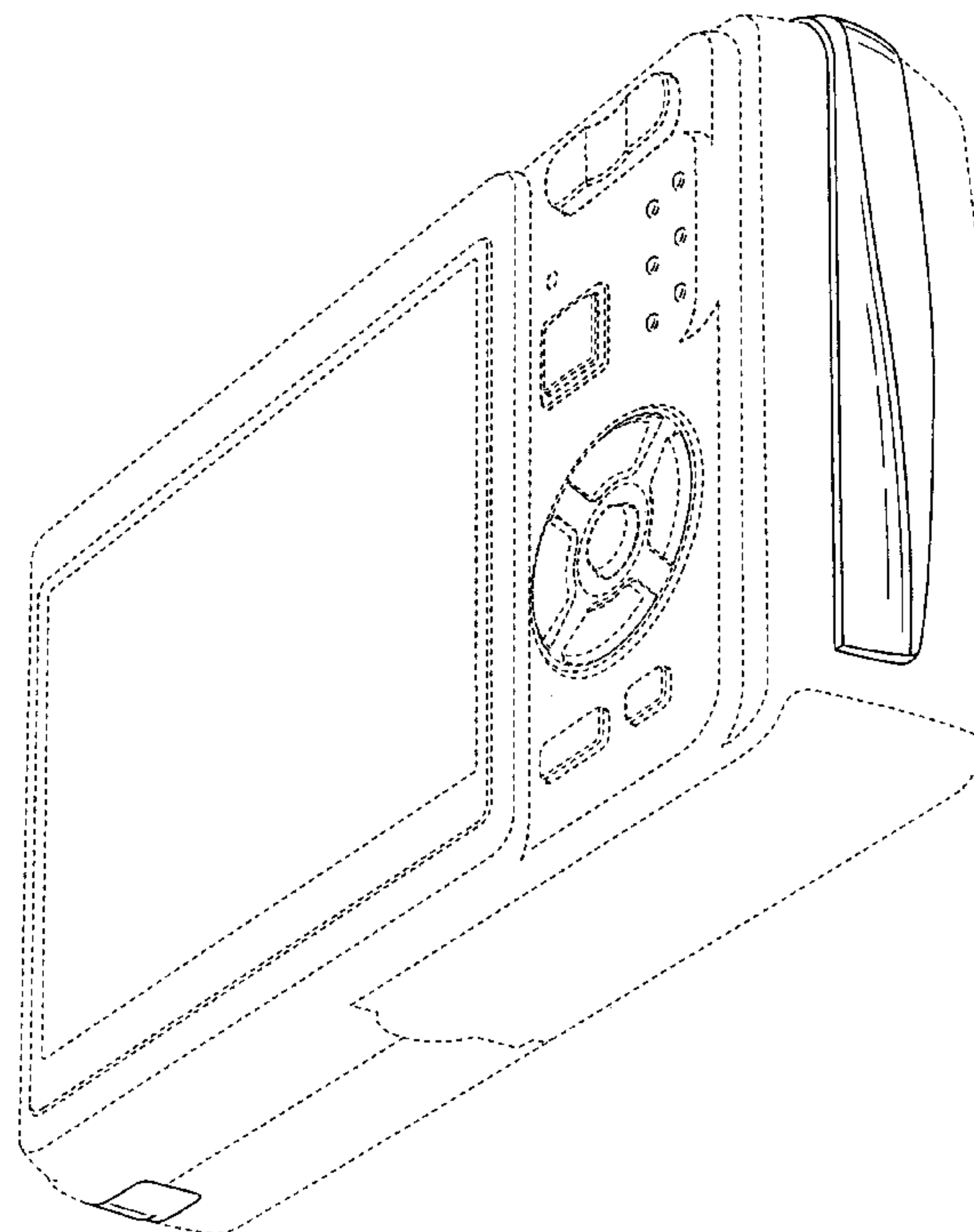
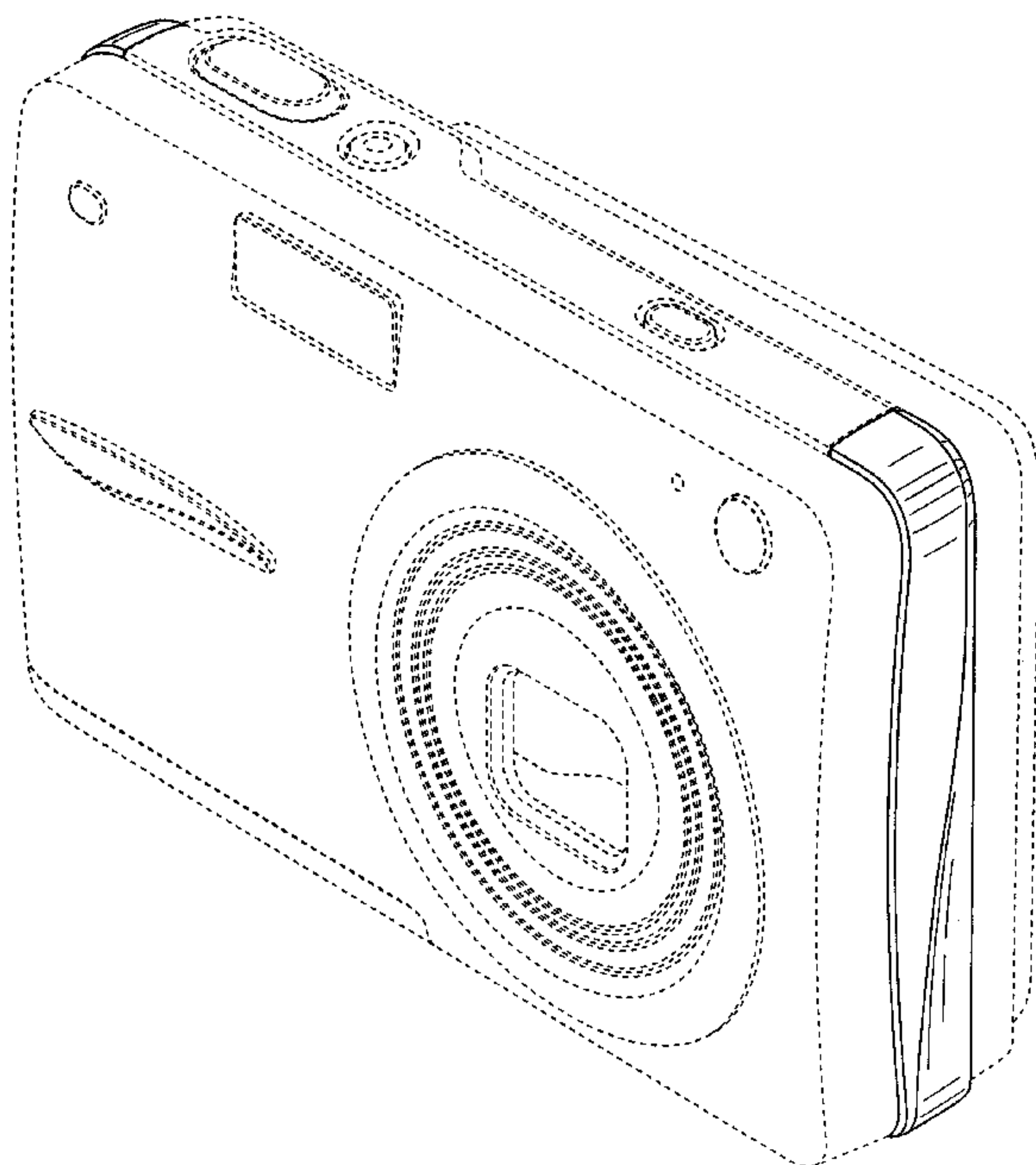
FIG. 6 is a right side elevational view thereof;

FIG. 7 is a top plan view thereof; and,

FIG. 8 is a bottom plan view thereof.

The portions shown in broken lines are for illustrative purposes only and form no part of the claimed design.

1 Claim, 6 Drawing Sheets



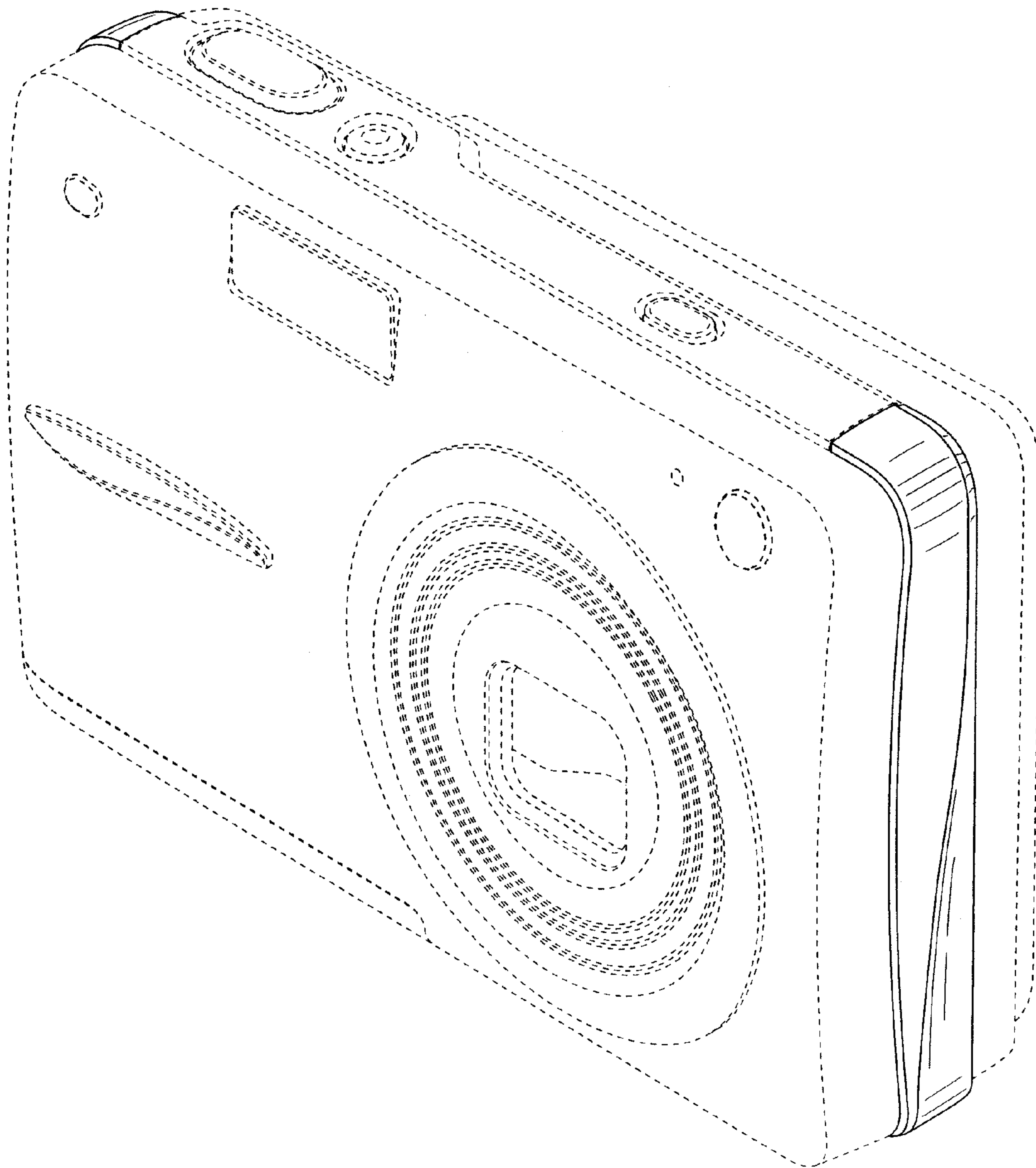


FIG. 1

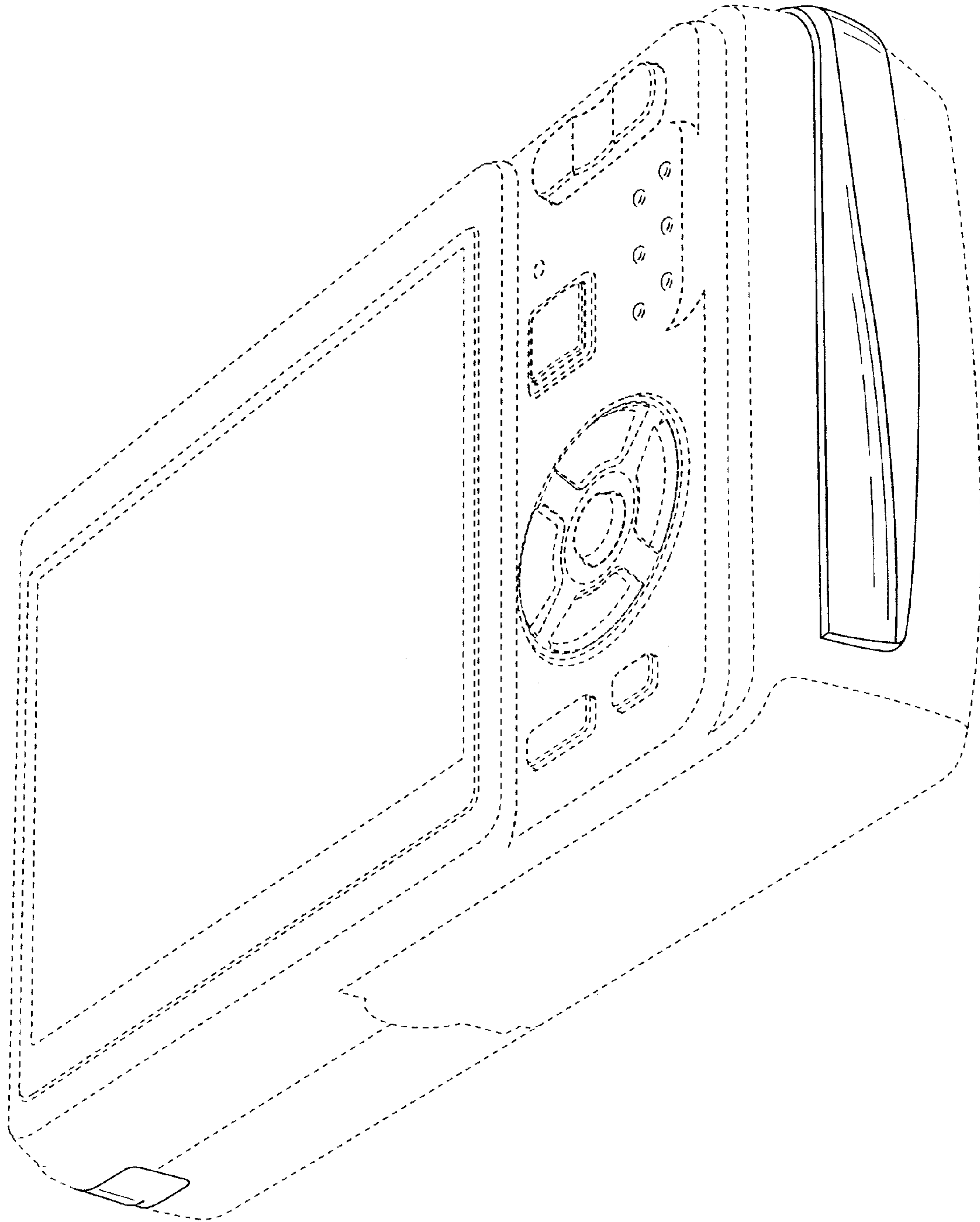


FIG. 2

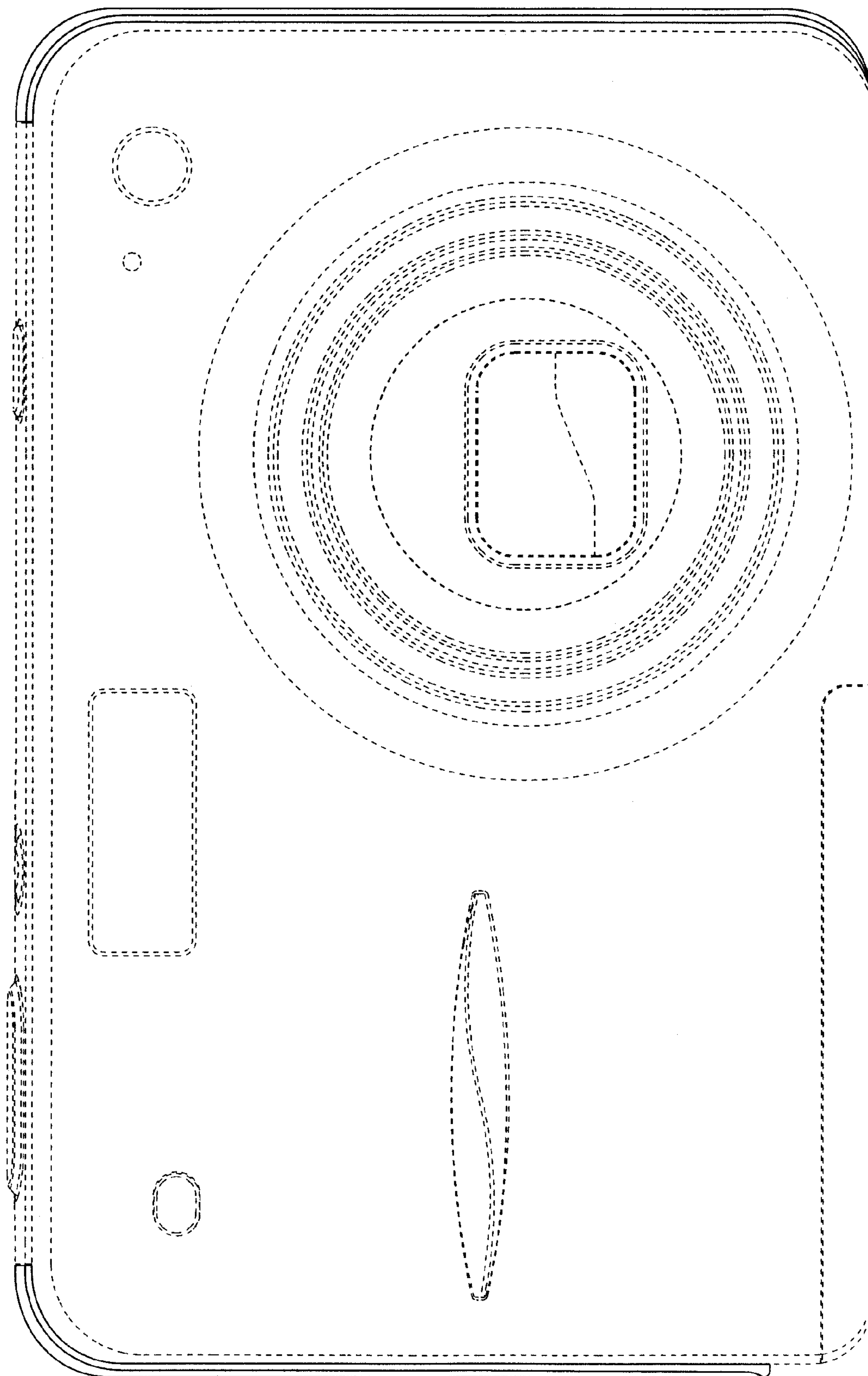


FIG. 3

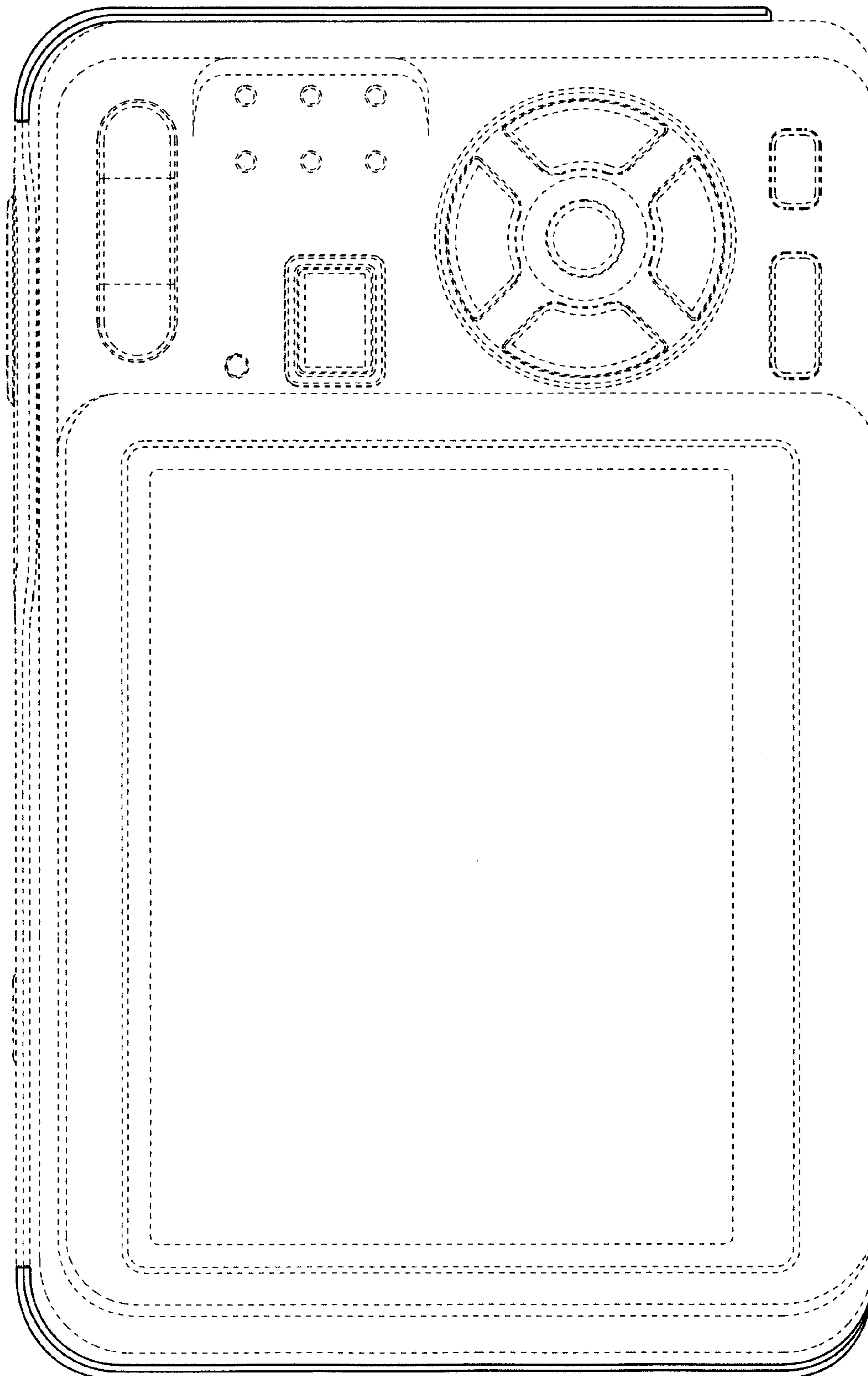


FIG. 4

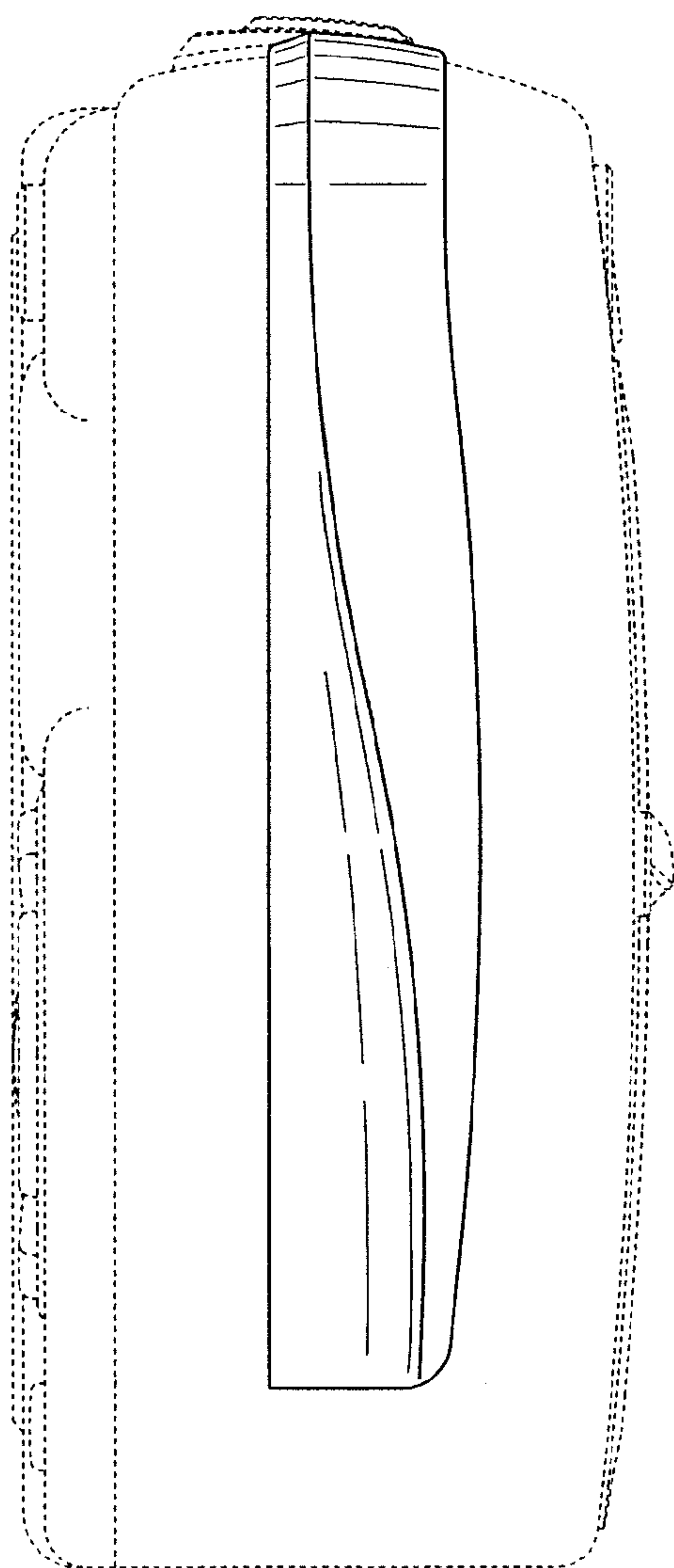


FIG. 5

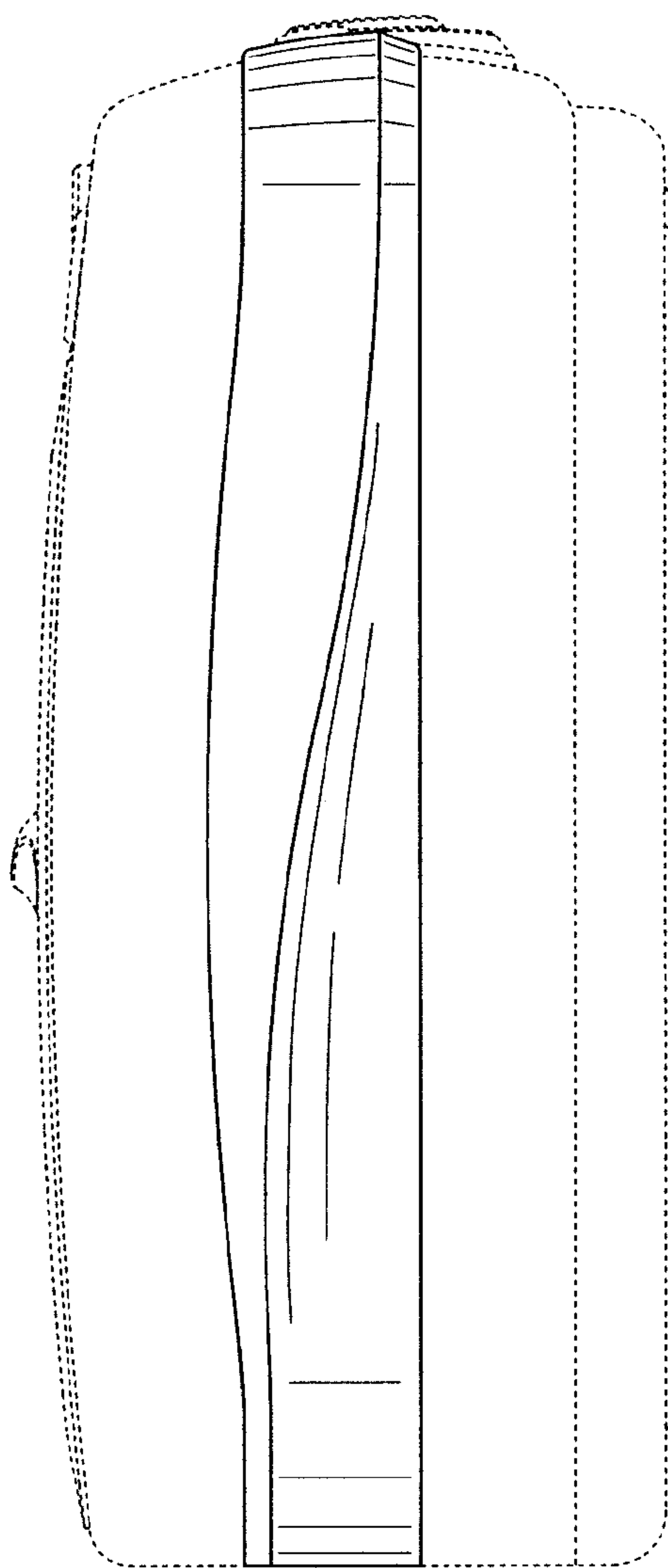


FIG. 6

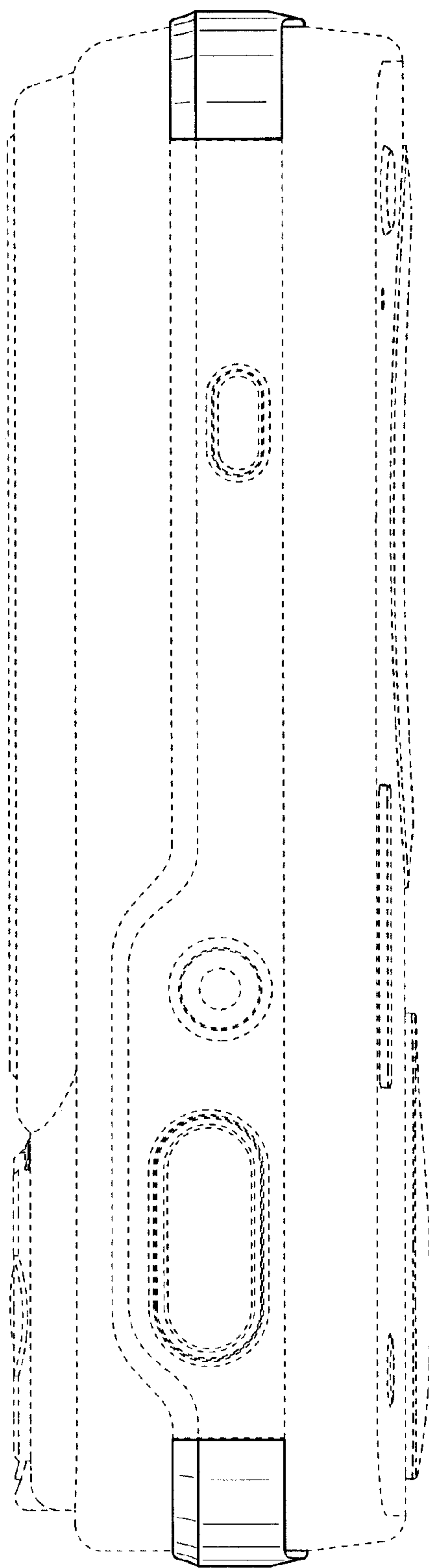


FIG. 7

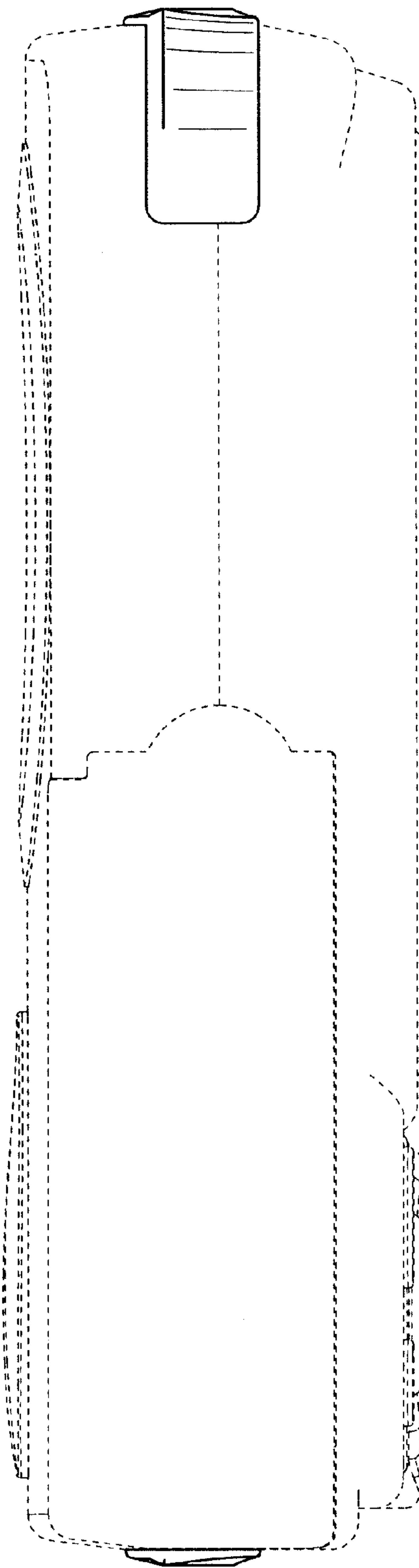


FIG. 8