



US00D584325S

(12) **United States Design Patent**  
**Chung et al.**

(10) **Patent No.:** **US D584,325 S**

(45) **Date of Patent:** **\*\* Jan. 6, 2009**

(54) **DIGITAL CAMCORDER**

(75) Inventors: **Yeon Moo Chung**, Seoul (KR); **Harata Tomohiro**, Seoul (KR); **Mi Ri Lee**, Seoul (KR)

(73) Assignee: **Samsung Electronics Co, Ltd.**, Suwon (KR)

(\*\*) Term: **14 Years**

(21) Appl. No.: **29/289,559**

(22) Filed: **Jul. 25, 2007**

(51) **LOC (9) Cl.** ..... **16-01**

(52) **U.S. Cl.** ..... **D16/202**

(58) **Field of Classification Search** ..... D16/200–206, D16/208, 218; 348/373–376; 358/906; 396/535–541  
See application file for complete search history.

(56) **References Cited**

U.S. PATENT DOCUMENTS

D516,600 S \* 3/2006 Tsuchiya ..... D16/202  
D534,565 S \* 1/2007 Sadatsuki ..... D16/202  
D557,719 S \* 12/2007 Yasutomi ..... D16/202

D565,071 S \* 3/2008 Ishibashi et al. .... D16/202  
D567,834 S \* 4/2008 Nishiwaki et al. .... D16/202  
D570,386 S \* 6/2008 Morita et al. .... D16/202  
2005/0140823 A1 \* 6/2005 Ishikuro ..... 348/375

\* cited by examiner

*Primary Examiner*—Adir Aronovich

(74) *Attorney, Agent, or Firm*—Ladas and Parry LLP

(57) **CLAIM**

The ornamental design for a digital camcorder, as shown.

**DESCRIPTION**

FIG. 1 is a front/left-side/top perspective view of a digital camcorder showing our new design;

FIG. 2 is a front elevational view thereof;

FIG. 3 is a rear elevational view thereof;

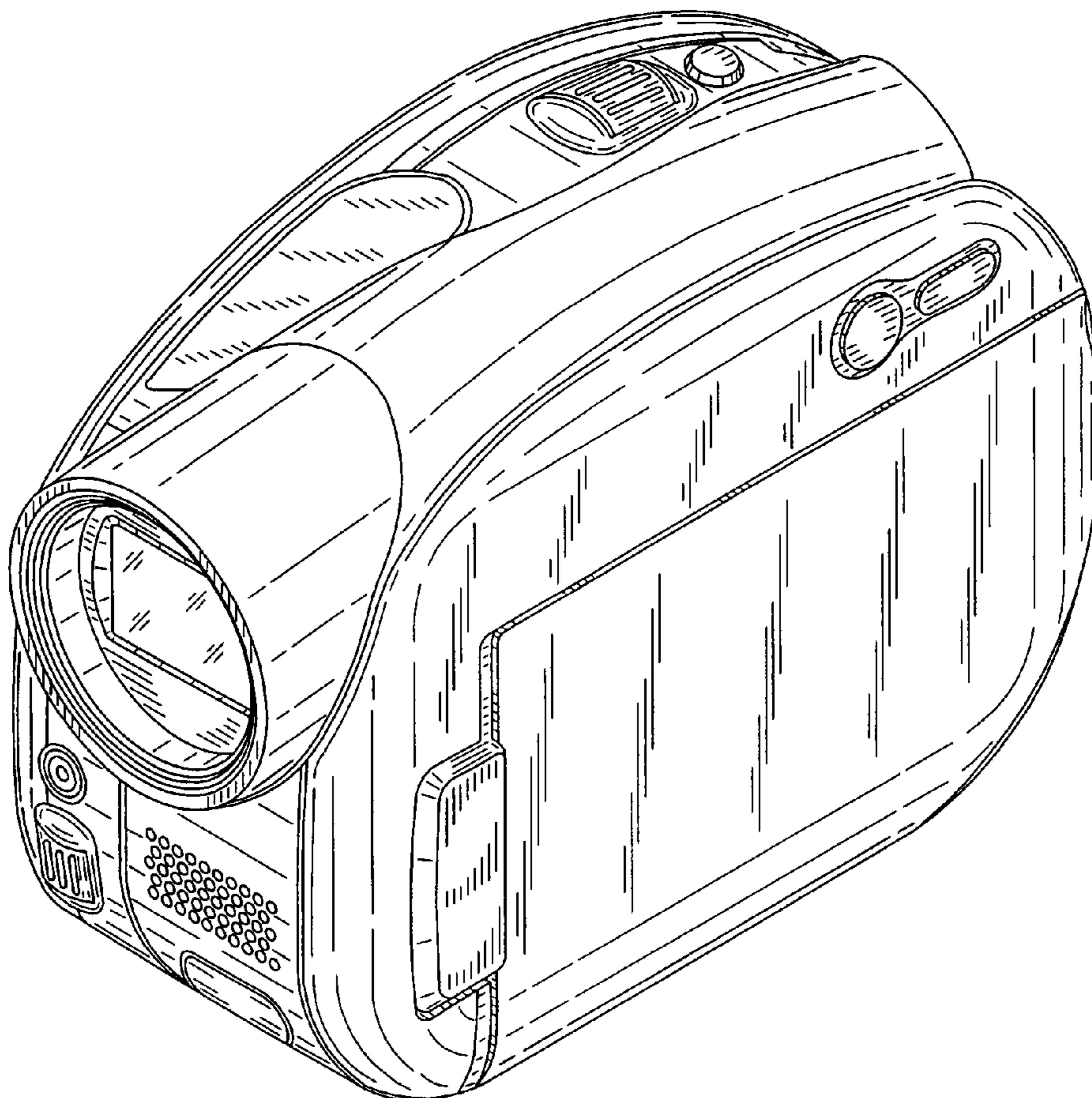
FIG. 4 is a left-side elevational view thereof;

FIG. 5 is a right-side elevational view thereof;

FIG. 6 is a top-side elevational view thereof; and,

FIG. 7 is a bottom-side elevational view thereof.

**1 Claim, 7 Drawing Sheets**



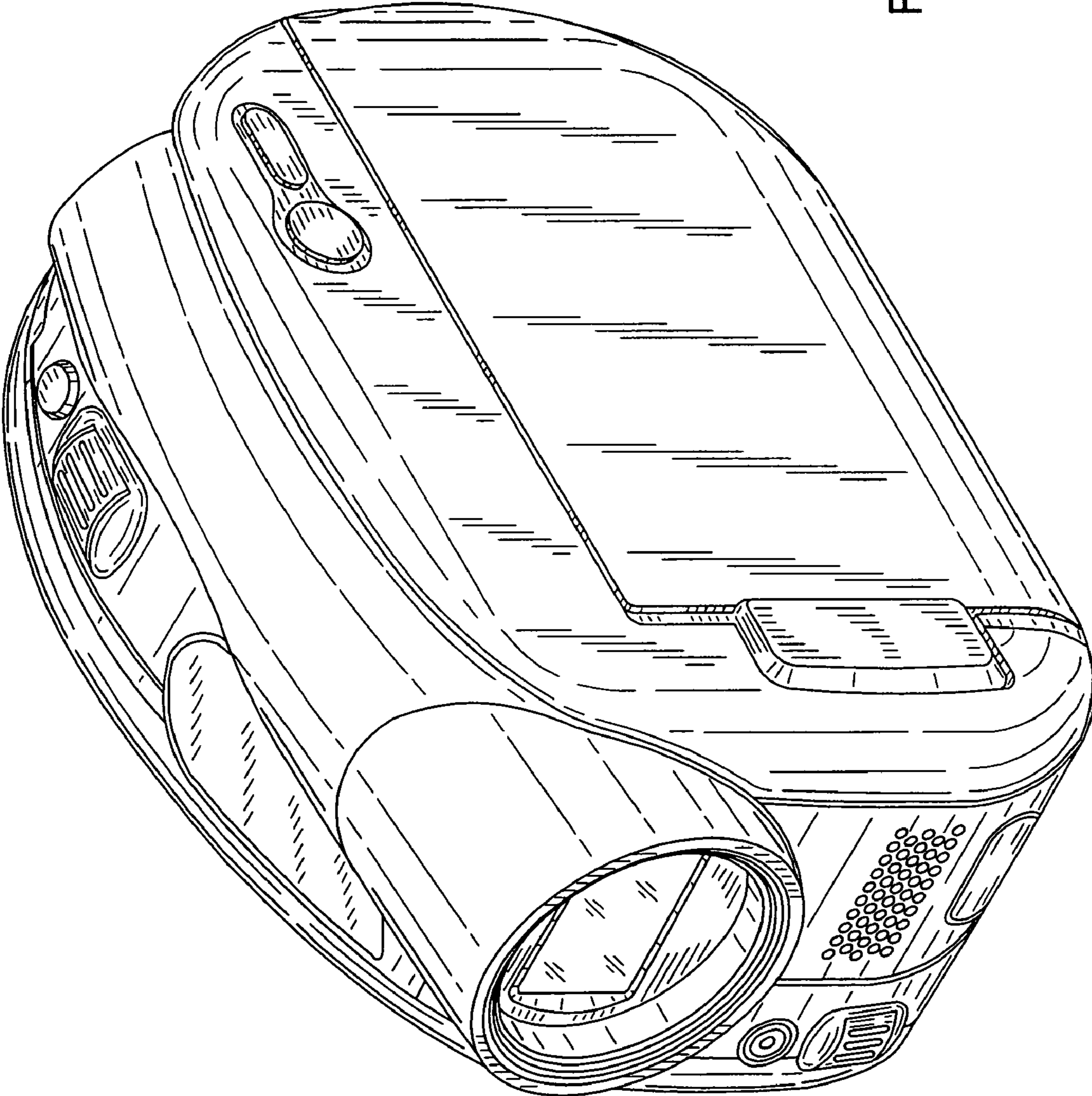


FIG. 1

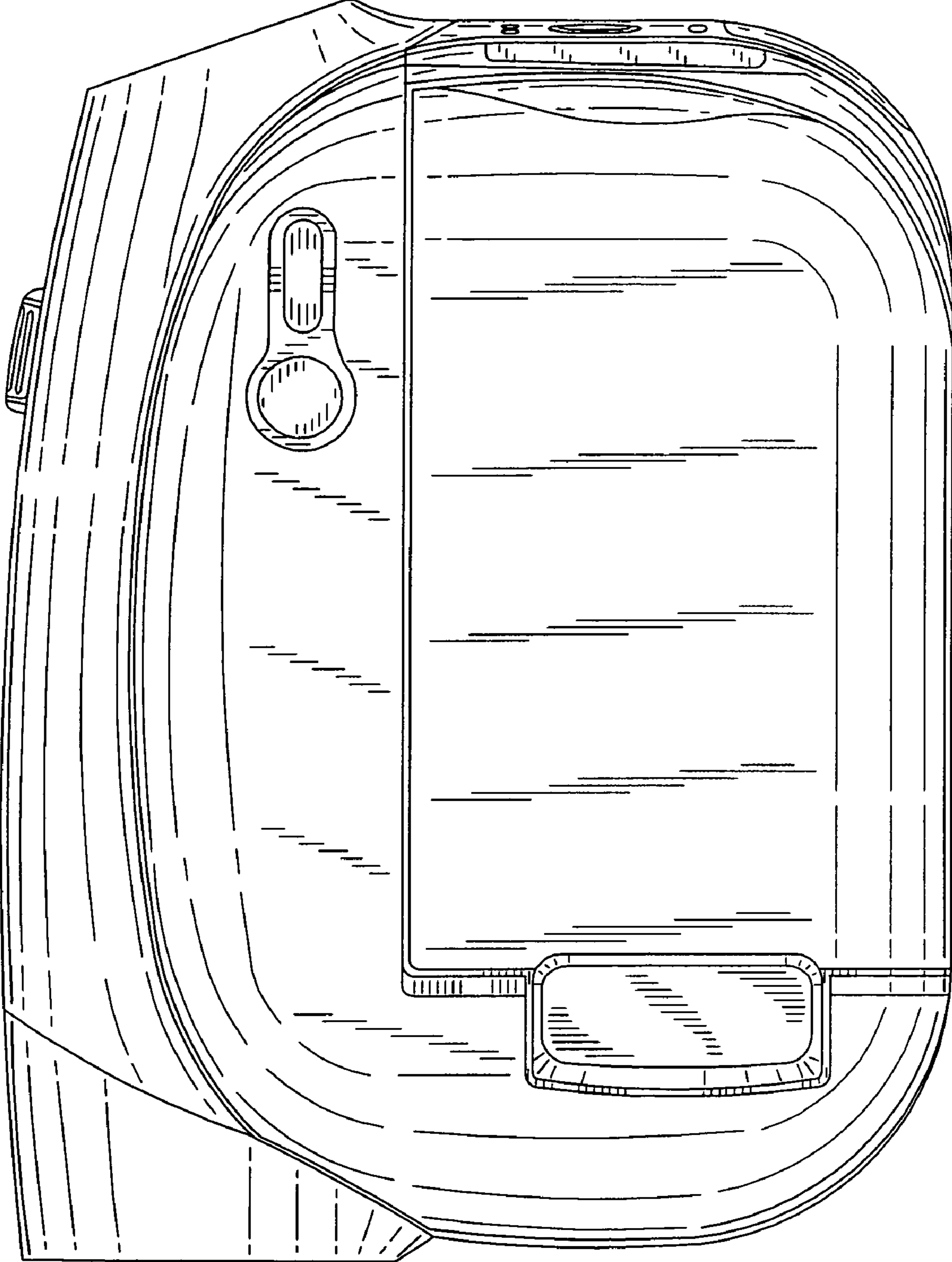


FIG. 2

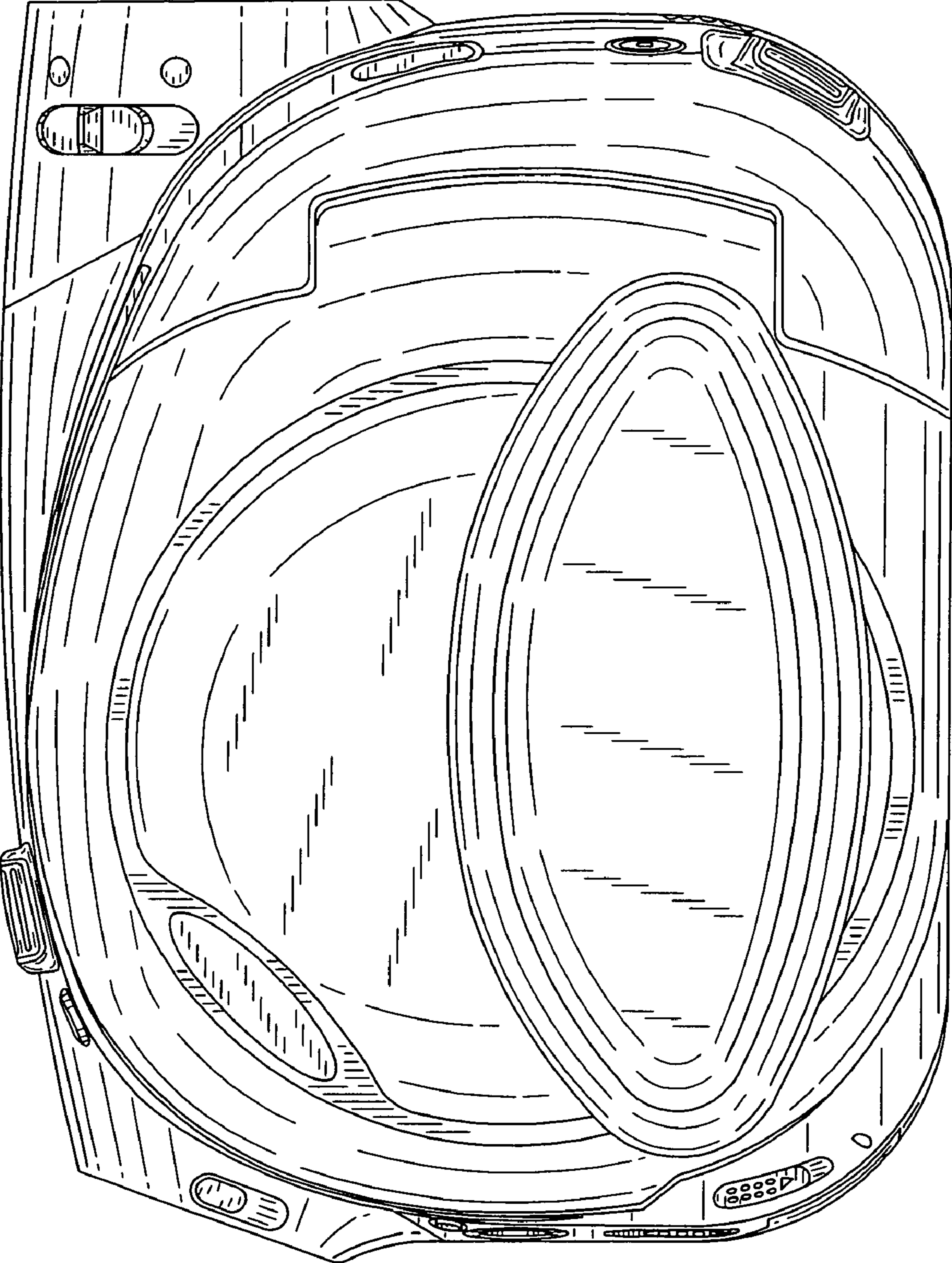


FIG. 3

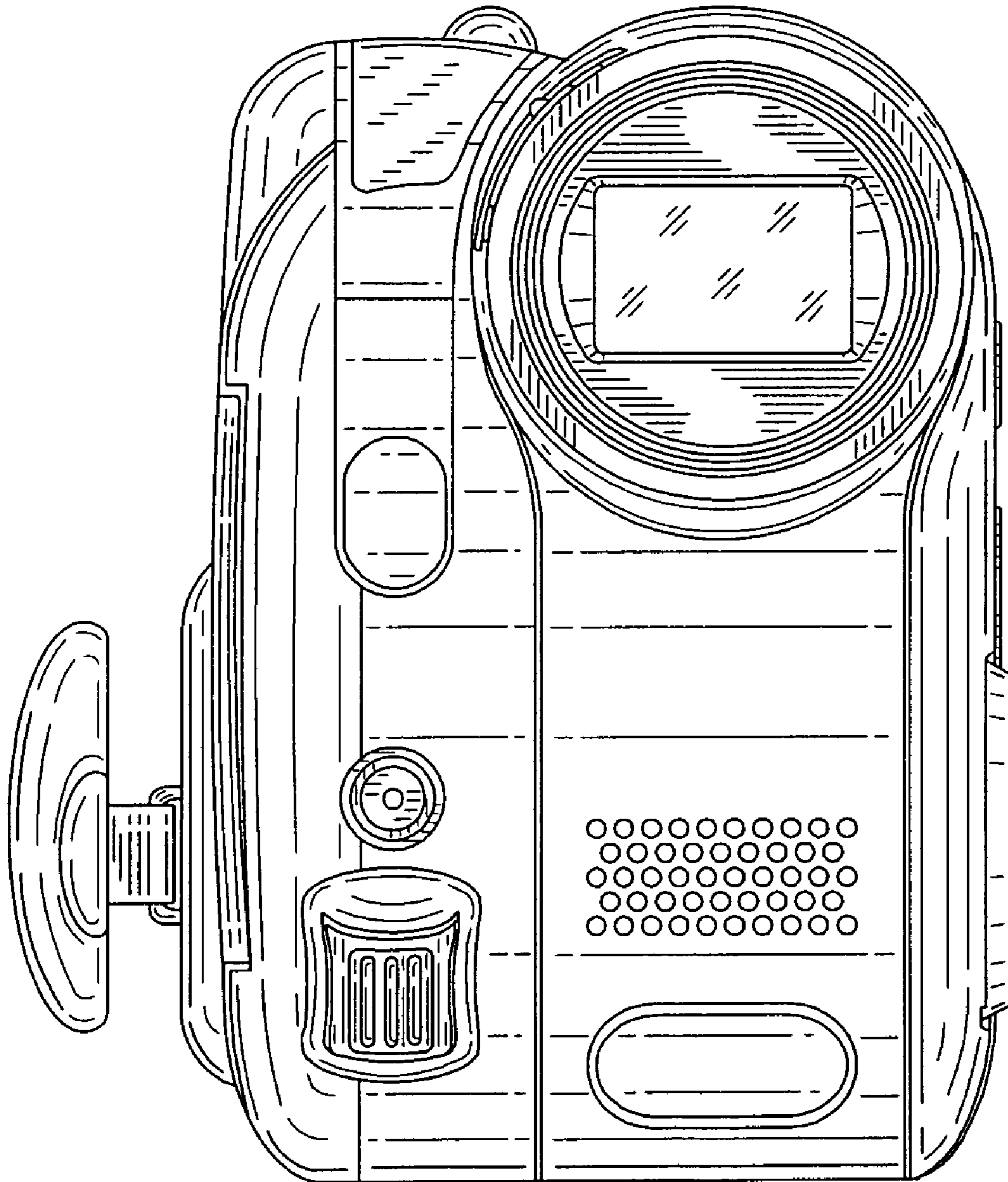


FIG. 4

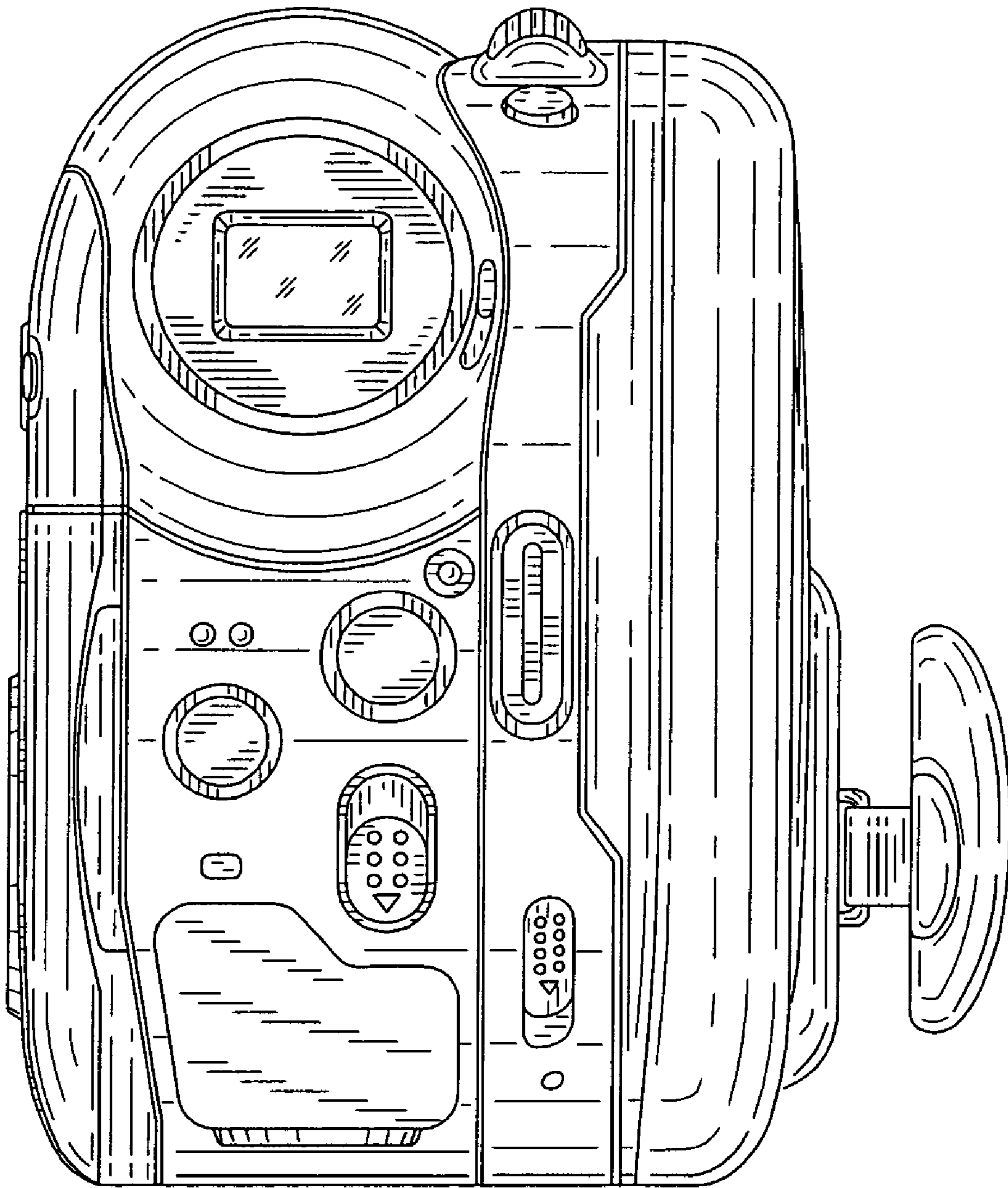


FIG. 5

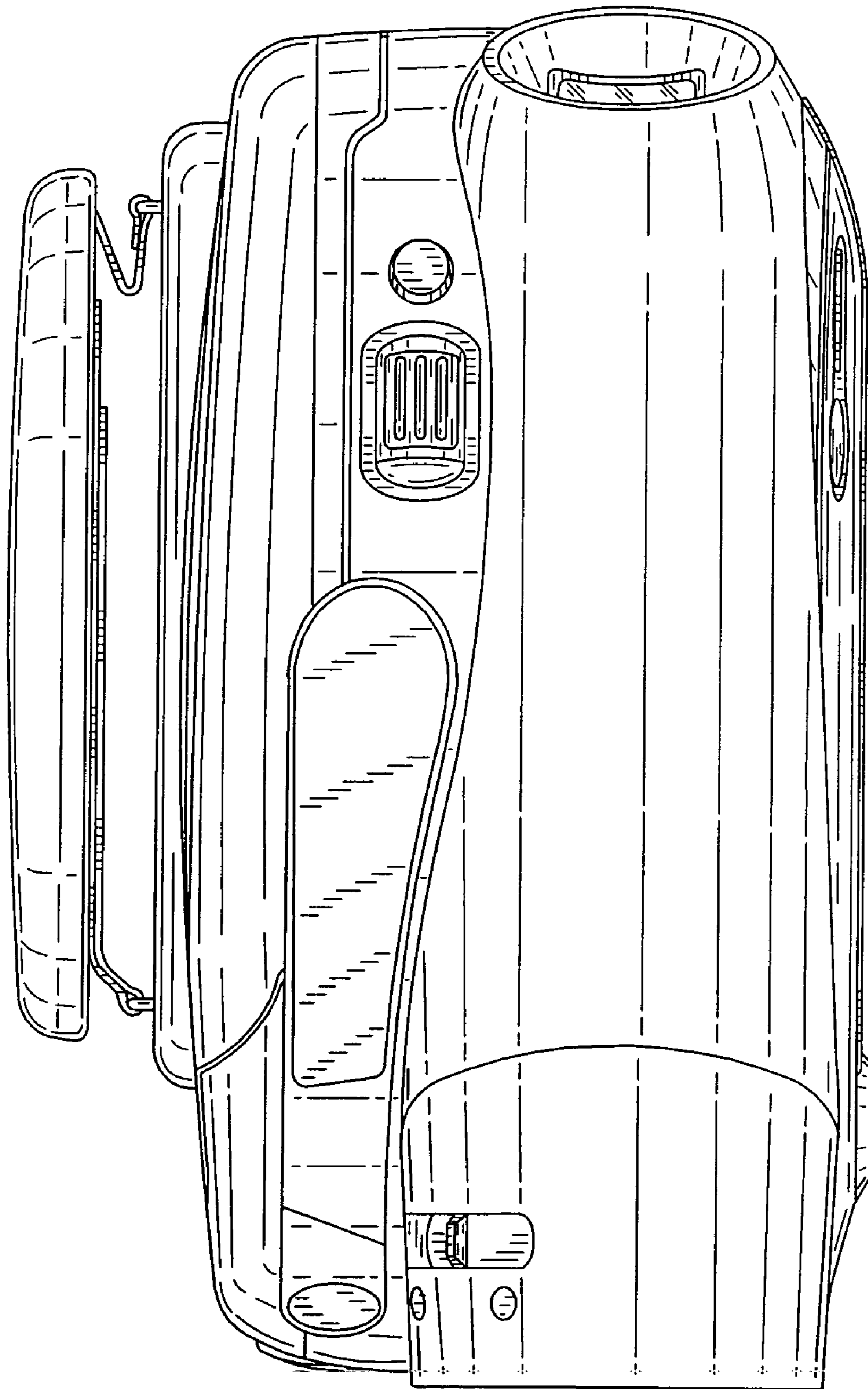


FIG. 6

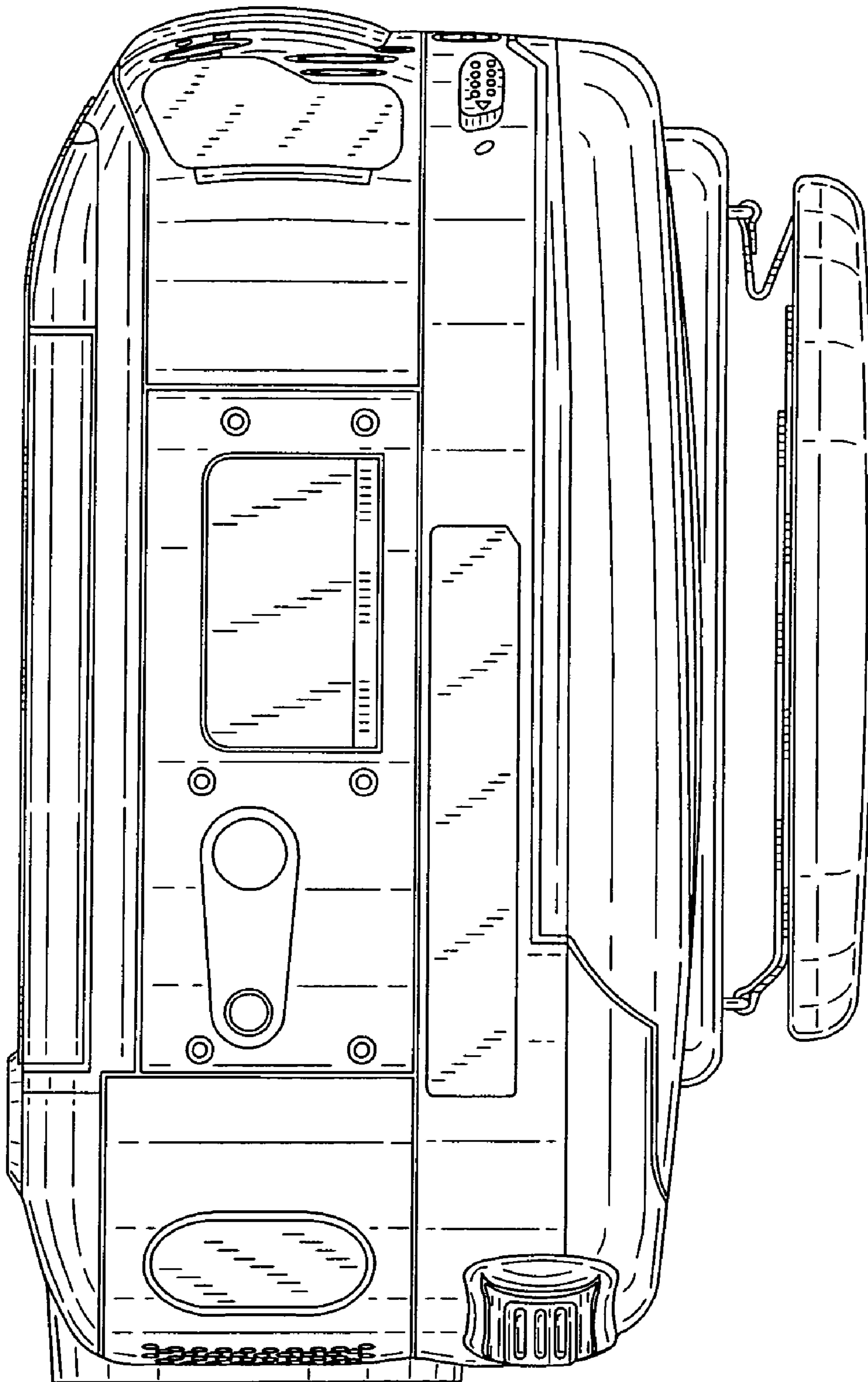


FIG. 7