



US00D584323S

(12) **United States Design Patent**
Chuang

(10) **Patent No.:** **US D584,323 S**

(45) **Date of Patent:** **** Jan. 6, 2009**

(54) **PLANER**

(76) **Inventor:** **Bor-Yann Chuang**, No. 78, Yungfeng Rd., Taiping City, Taichung County (TW)

(**) **Term:** **14 Years**

(21) **Appl. No.:** **29/319,254**

(22) **Filed:** **Jun. 6, 2008**

(51) **LOC (9) Cl.** **15-09**

(52) **U.S. Cl.** **D15/124**

(58) **Field of Classification Search** D15/124, D15/125, 127; 144/112.1, 114 R, 117 R, 144/124, 129, 130, 144.1, 154.5, 218, 225, 144/228, 230, 242.5, 245.1, 246.1, 250.2, 144/252.1, 253.2, 253.8

See application file for complete search history.

(56) **References Cited**

U.S. PATENT DOCUMENTS

2,792,036	A *	5/1957	Buttke	144/114.1
D285,083	S *	8/1986	Miyamoto	D15/127
D311,192	S *	10/1990	Juang	D15/127
D328,080	S *	7/1992	Oka et al.	D15/127
D394,070	S *	5/1998	Garcia et al.	D15/124
D430,175	S *	8/2000	Hayakawa et al.	D15/124

D442,976	S *	5/2001	Chin-Feng	D15/124
D477,002	S *	7/2003	Wang	D15/127
D492,330	S *	6/2004	Liu	D15/125
6,807,991	B2 *	10/2004	Chiang	144/117.1
D562,855	S *	2/2008	Leasure et al.	D15/124
2005/0224140	A1 *	10/2005	Garcia et al.	144/117.1

* cited by examiner

Primary Examiner—Sandra Snapp

Assistant Examiner—Patricia Palasik

(74) *Attorney, Agent, or Firm*—Ming Chow; Sinorica, LLC

(57) **CLAIM**

The ornamental design for a planer, as shown and described.

DESCRIPTION

FIG. 1 is a front perspective view of a planer showing my new design;

FIG. 2 is a front elevational view thereof;

FIG. 3 is a rear elevational view thereof.

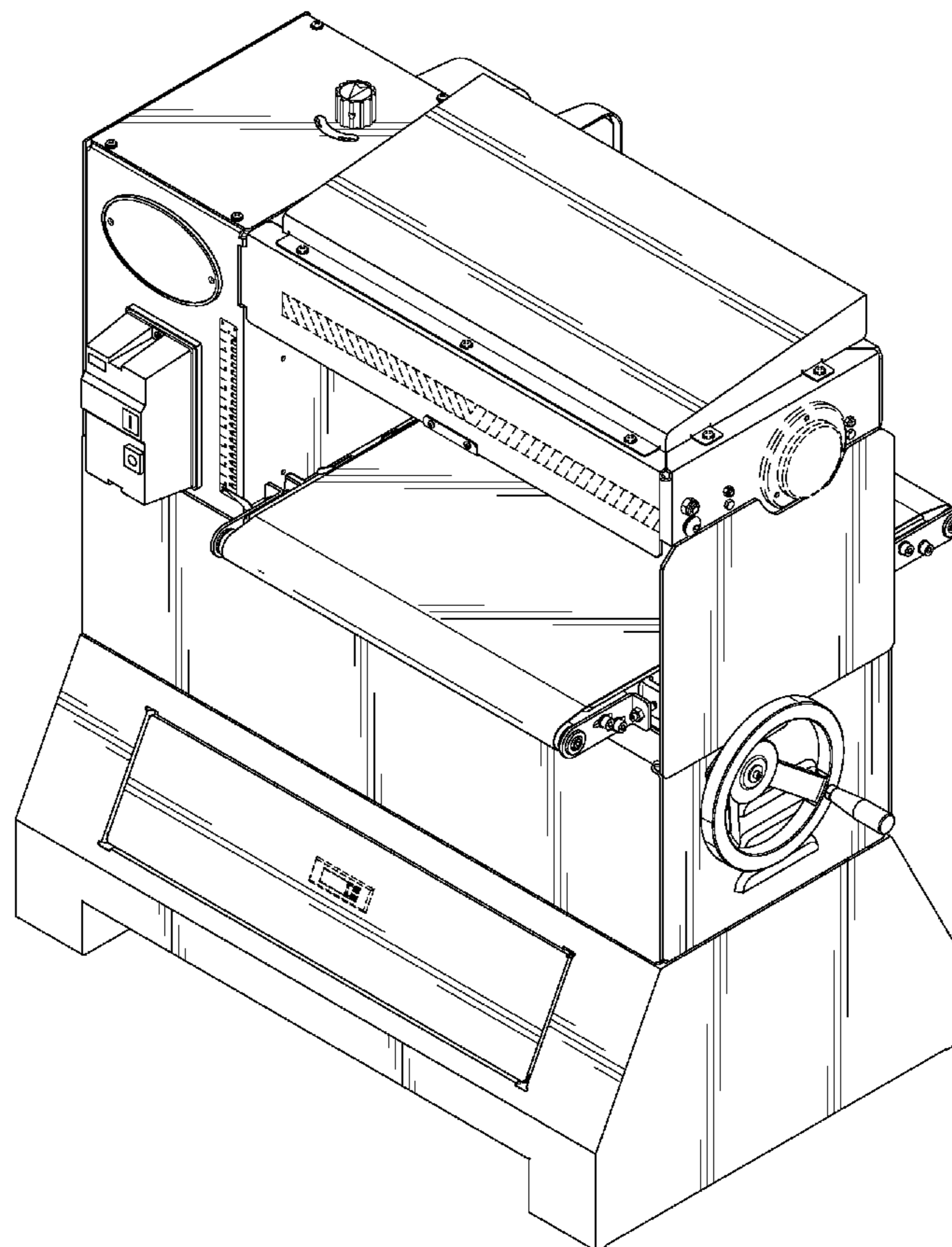
FIG. 4 is a left side elevational view thereof;

FIG. 5 is a right side elevational view thereof;

FIG. 6 is a top plan view thereof; and,

FIG. 7 is a bottom plan view thereof.

1 Claim, 6 Drawing Sheets



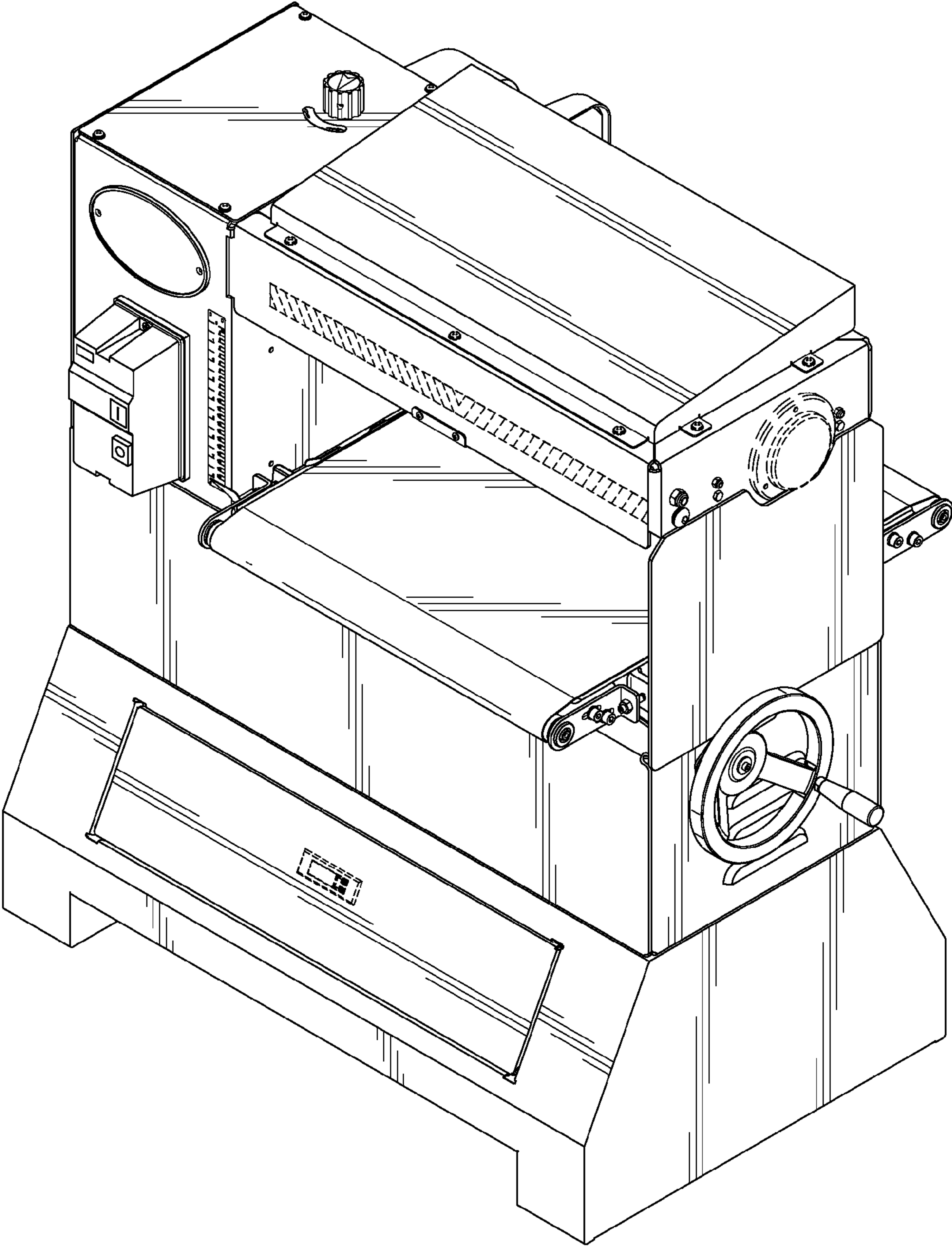


FIG. 1

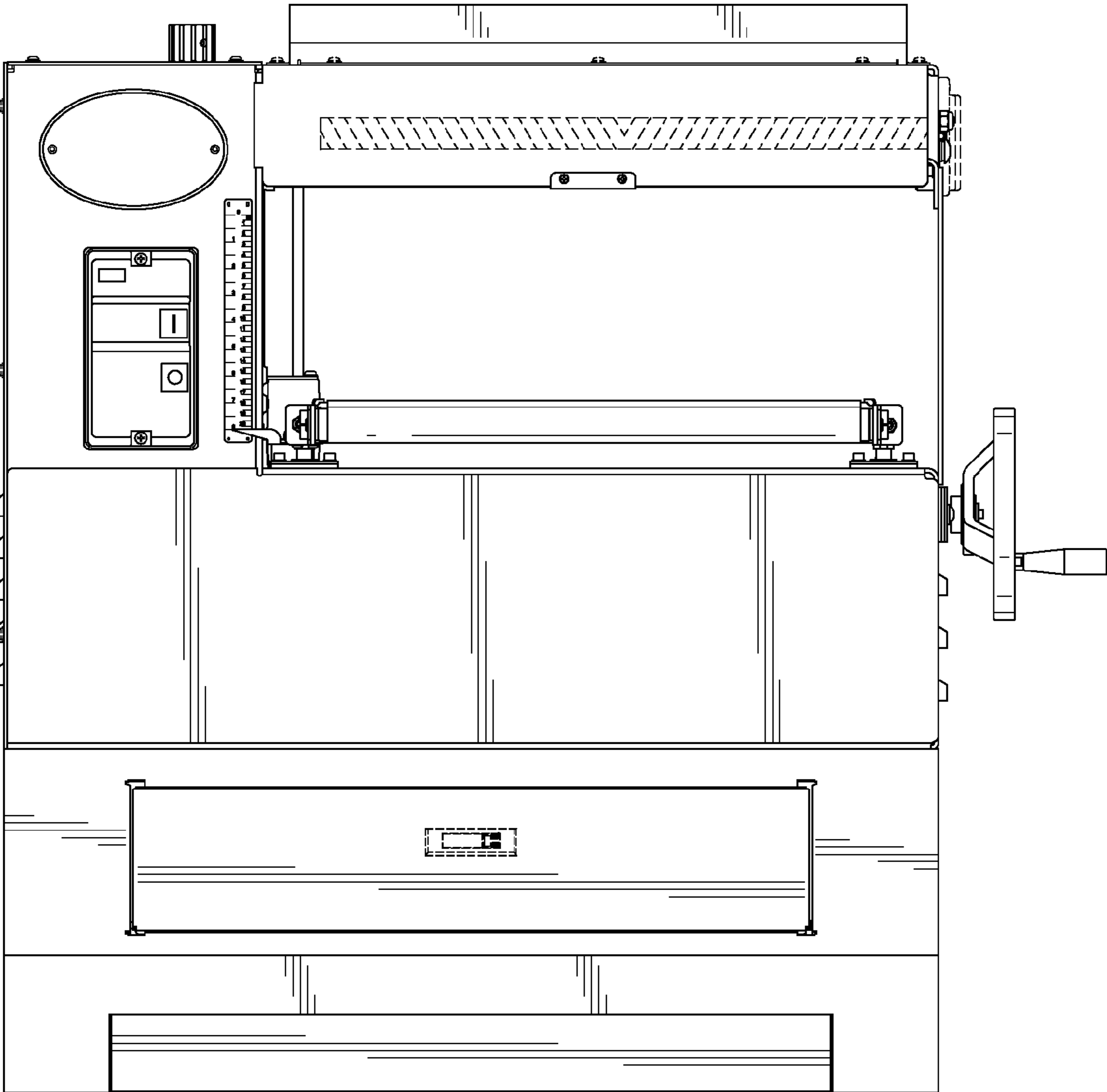


FIG. 2

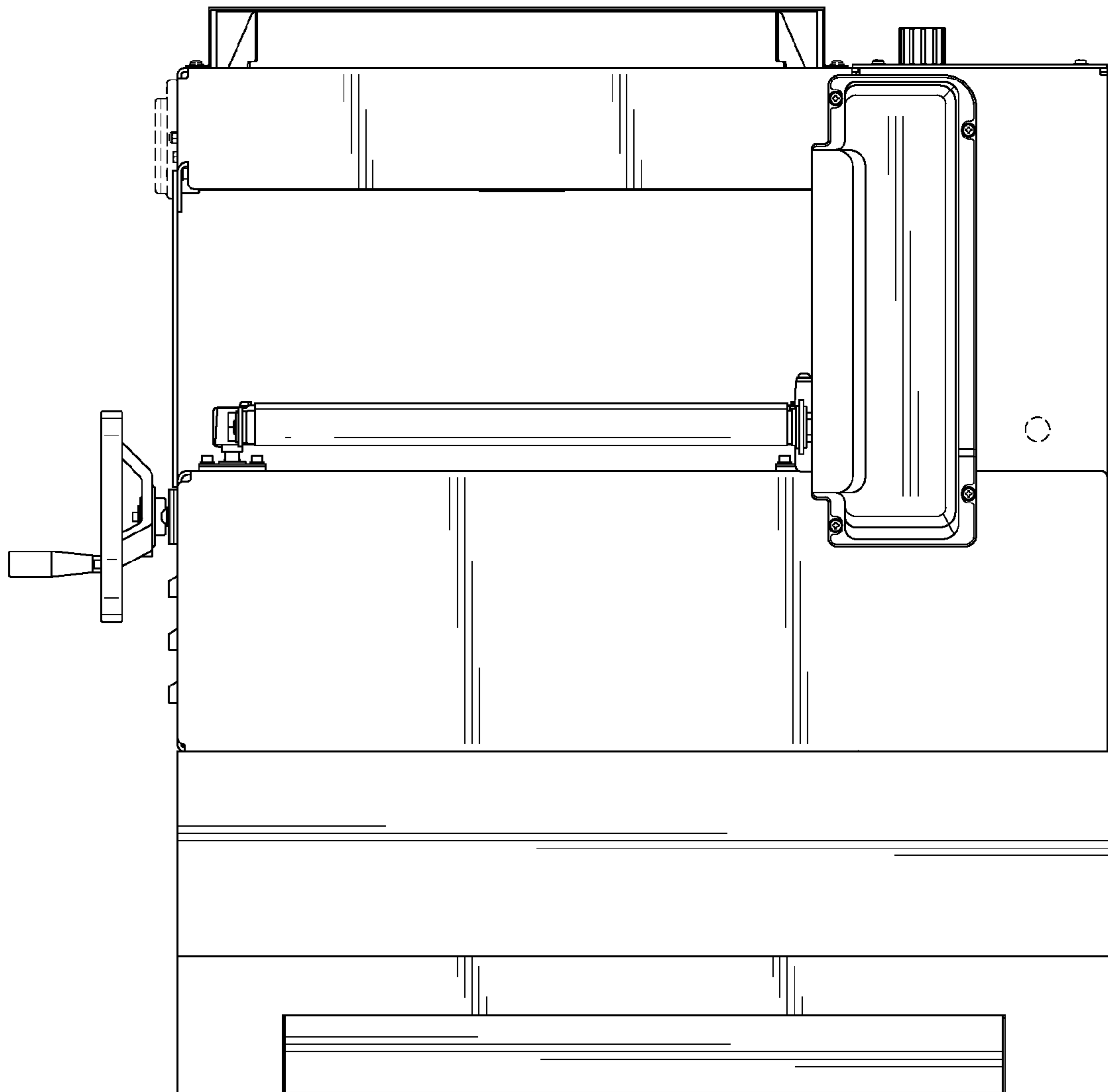


FIG. 3

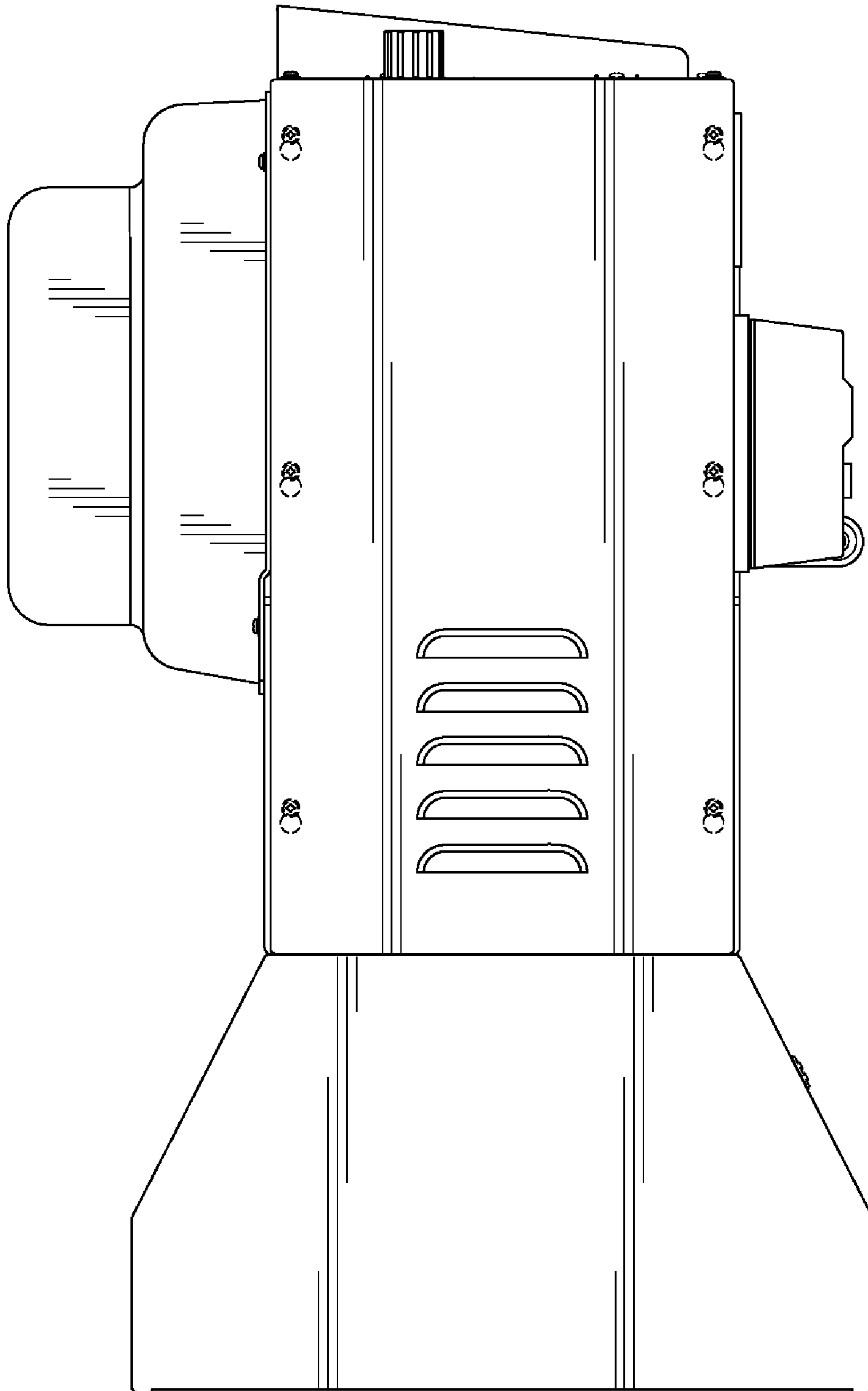


FIG. 4

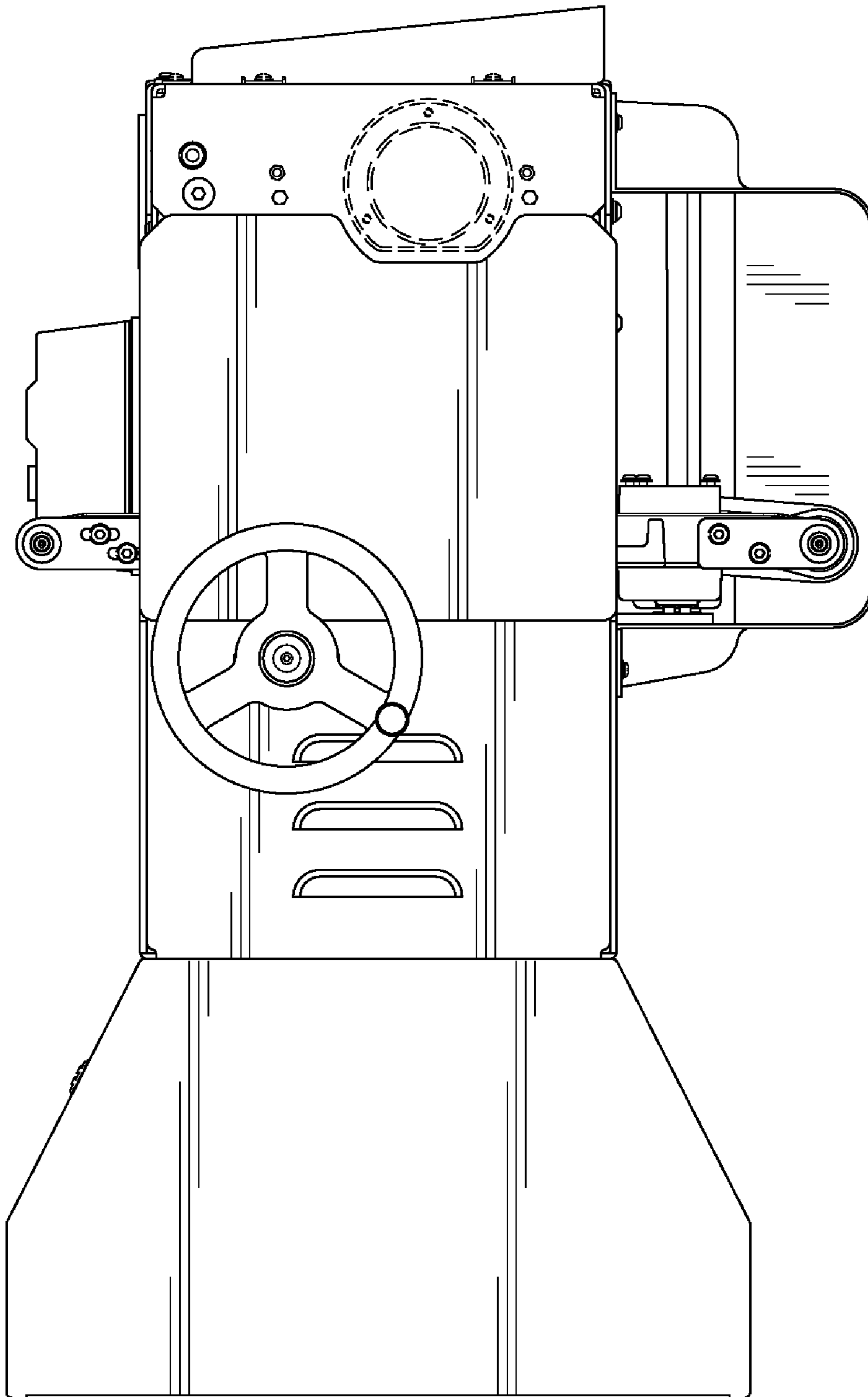


FIG. 5

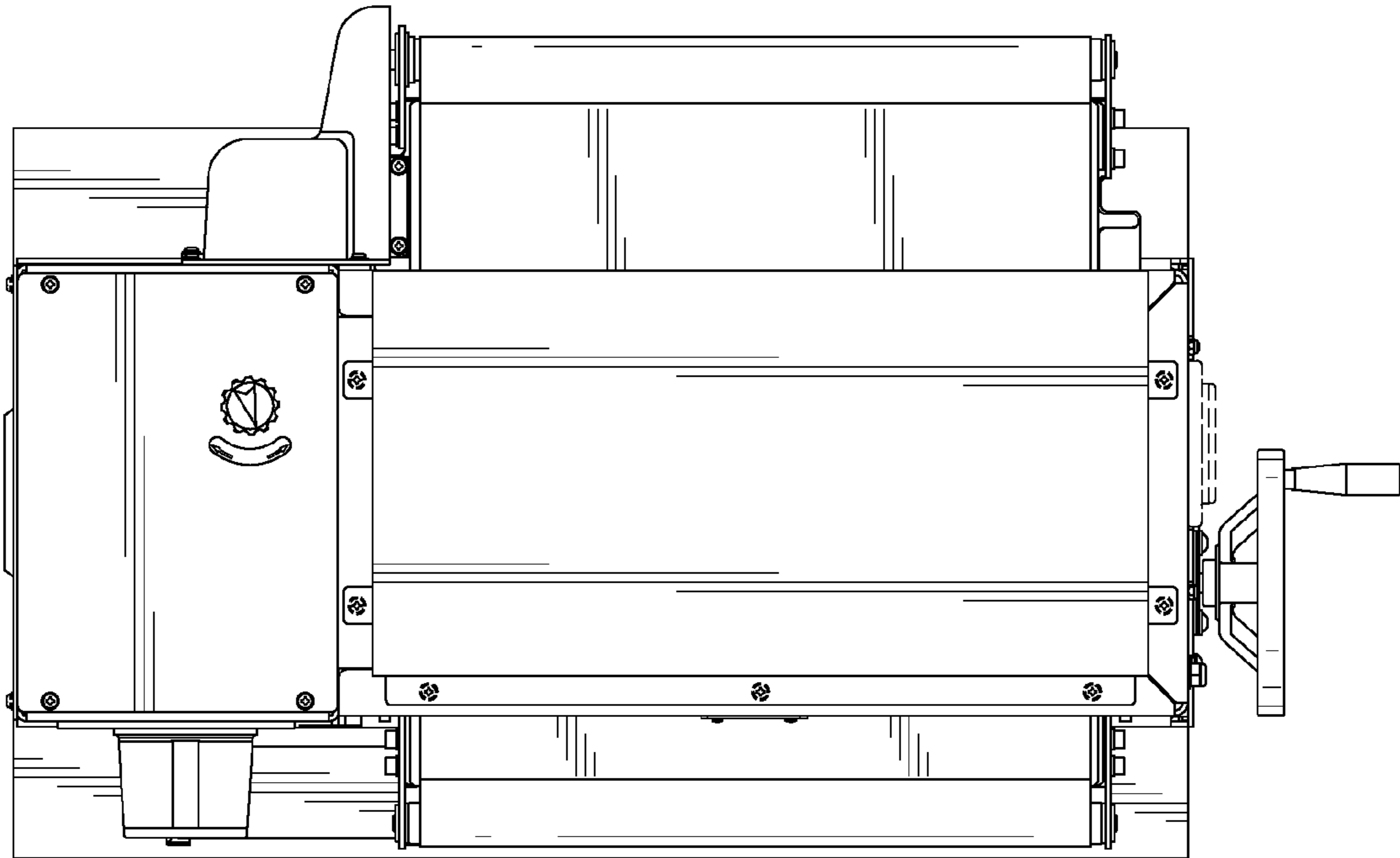


FIG. 6

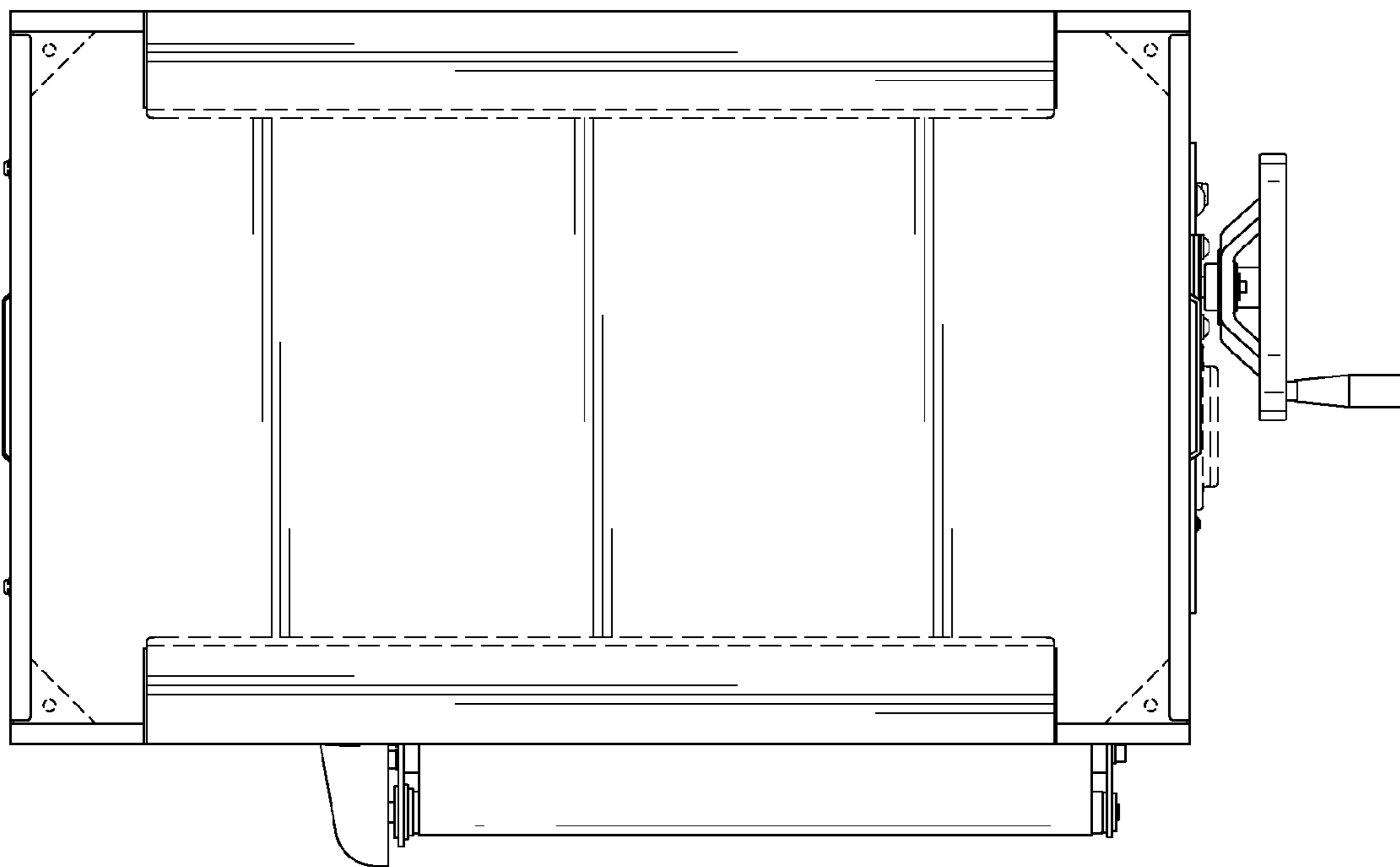


FIG. 7