



US00D584322S

(12) **United States Design Patent**
Arisue et al.

(10) **Patent No.:** **US D584,322 S**
(45) **Date of Patent:** **** Jan. 6, 2009**

(54) **COMBINED TURNING AND MILLING MACHINE**

(75) Inventors: **Kenji Arisue**, Aichi Pref. (JP); **Naokazu Okabe**, Aichi Pref. (JP); **Yasuhiro Goshima**, Aichi Pref. (JP); **Minoru Kitayama**, Aichi Pref. (JP)

(73) Assignee: **Yamazaki Mazak Corporation** (JP)

(**) Term: **14 Years**

(21) Appl. No.: **29/304,444**

(22) Filed: **Feb. 29, 2008**

(30) **Foreign Application Priority Data**

Sep. 6, 2007 (JP) 2007-024381
Sep. 6, 2007 (JP) 2007-024382

(51) **LOC (9) Cl.** **15-09**

(52) **U.S. Cl.** **D15/122; D15/130; D15/131**

(58) **Field of Classification Search** D15/122, D15/124, 127, 128, 130, 131; 29/26 A, 26 R, 29/30, 33 A-33 T, 34 R, 39, 50, 330, 560, 29/563-566, 568; 83/552; 408/38; 409/64, 409/89, 160, 201, 210; 483/17-57
See application file for complete search history.

(56) **References Cited**

U.S. PATENT DOCUMENTS

4,443,929 A * 4/1984 Bayer et al. 483/32
D302,163 S * 7/1989 Itoh et al. D15/122
D319,834 S * 9/1991 Rutschle D15/131
D328,467 S * 8/1992 Maleschew D15/131
D388,103 S * 12/1997 Gotou et al. D15/127
5,782,151 A * 7/1998 Shiramasa 82/124

D398,618 S * 9/1998 Aoyama et al. D15/131
D464,363 S * 10/2002 Saito et al. D15/122
7,226,403 B2 * 6/2007 Konvicka et al. 483/14
D548,754 S * 8/2007 Itabashi et al. D15/122
D548,755 S * 8/2007 Takeshima et al. D15/122
D559,871 S * 1/2008 Kittaka et al. D15/122
D567,263 S * 4/2008 Sugihara et al. D15/122

* cited by examiner

Primary Examiner—Sandra Snapp

Assistant Examiner—Patricia Palasik

(74) *Attorney, Agent, or Firm*—Scott R. Hansen; Fulwider Patton LLP

(57) **CLAIM**

The ornamental design for a combined turning and milling machine, as shown and described.

DESCRIPTION

FIG. 1 is a front perspective view of a combined turning and milling machine showing our new design;

FIG. 2 is a rear perspective view thereof;

FIG. 3 is a front view thereof;

FIG. 4 is a rear view thereof;

FIG. 5 is a top plan view thereof;

FIG. 6 is a bottom plan view thereof;

FIG. 7 is a right side view thereof; and,

FIG. 8 is a left side view thereof.

The broken lines are shown for illustration purposes only and form no part of the claimed design. The present article is a multi-tasking machine having the functions of turning and milling operations.

1 Claim, 8 Drawing Sheets

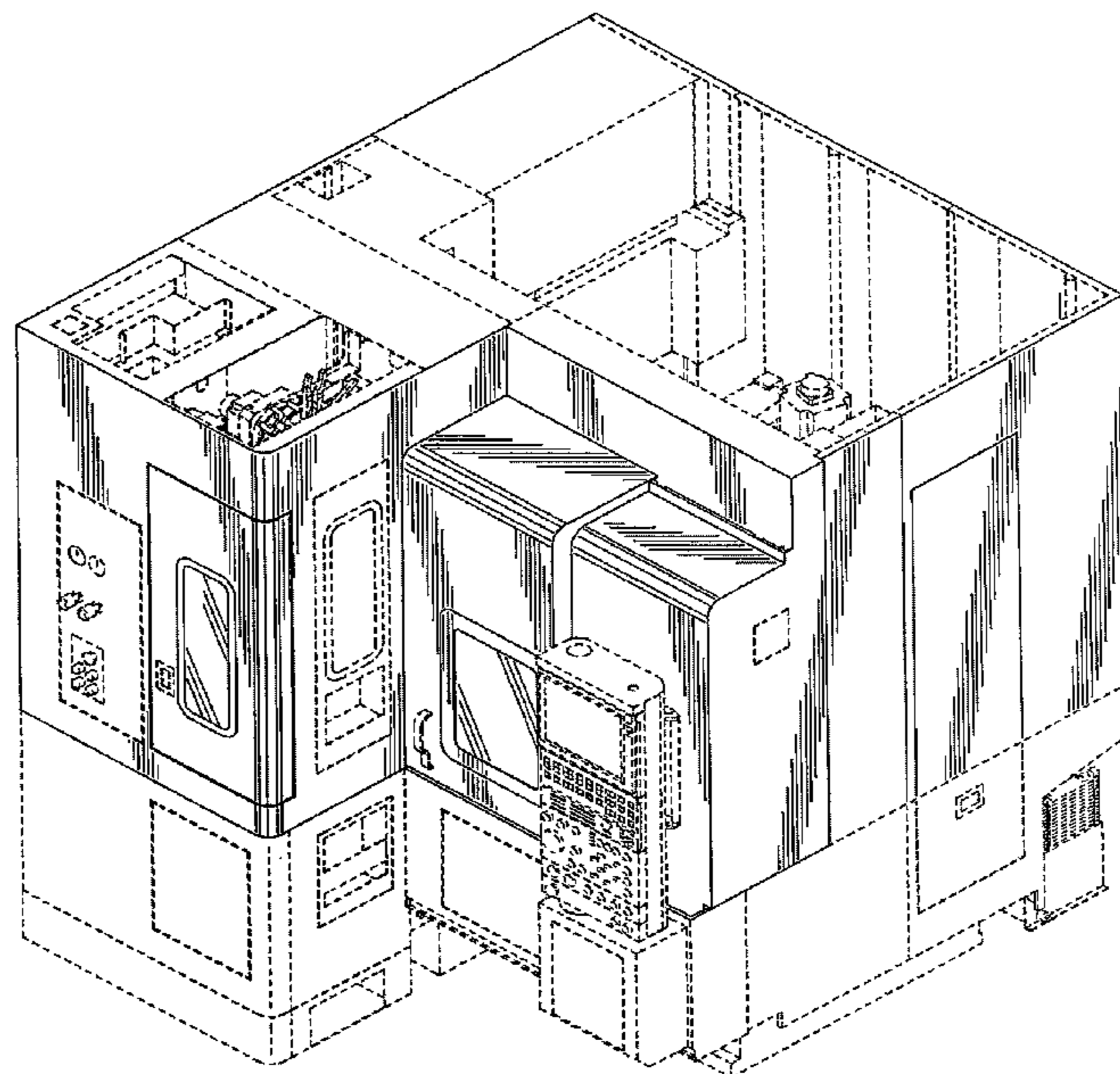


FIG. 1

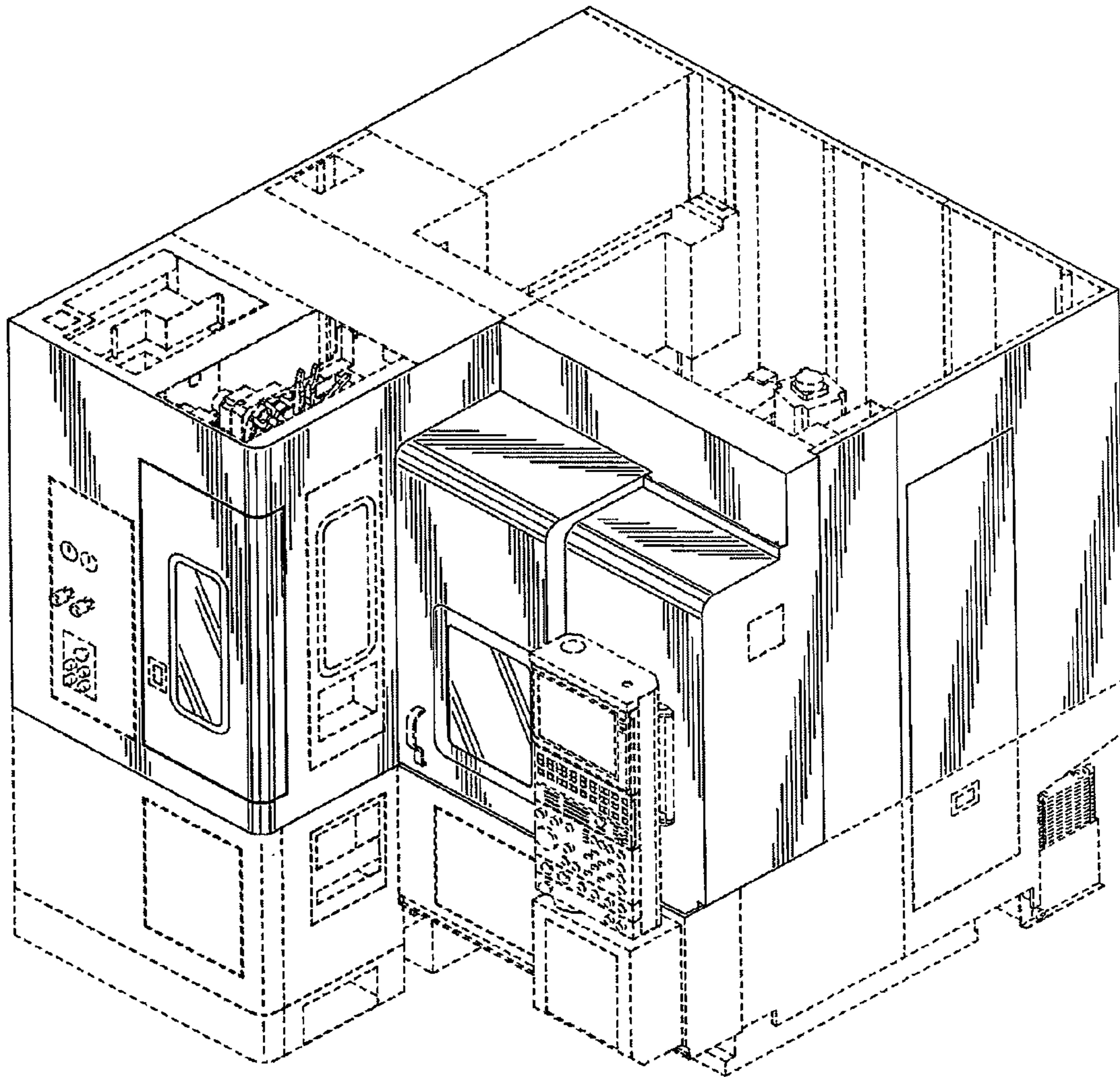


FIG. 2

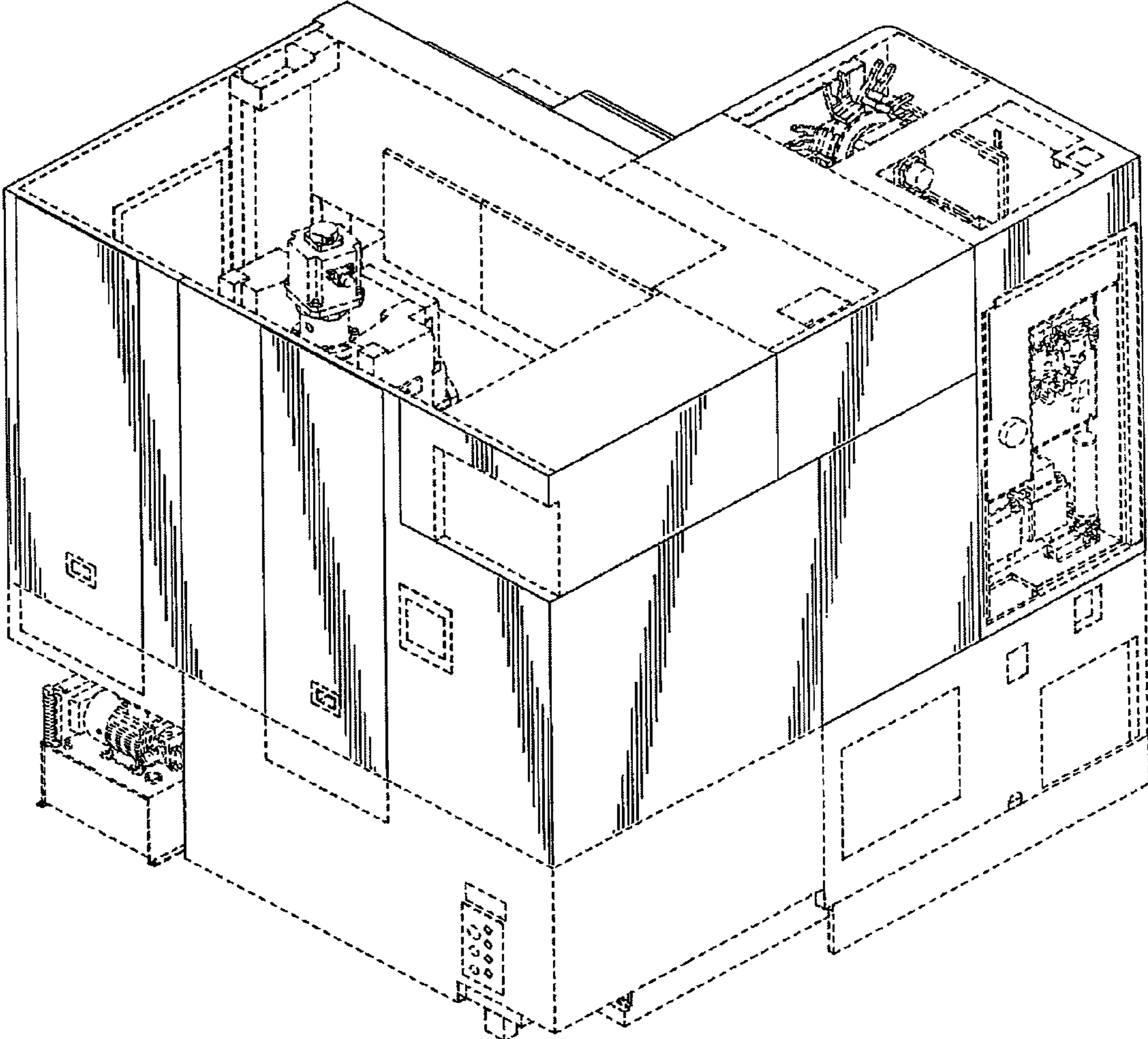


FIG. 3

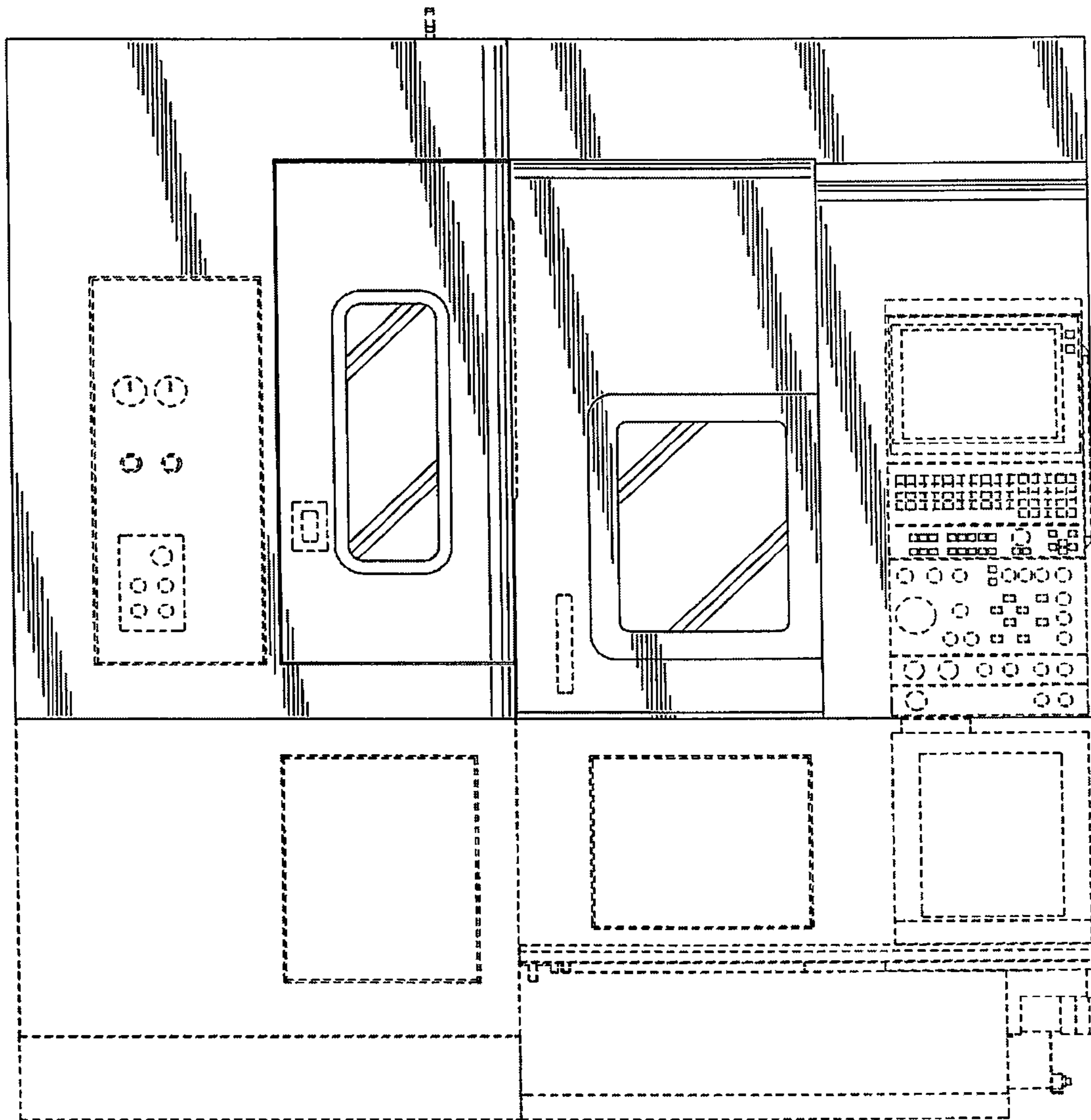


FIG. 4

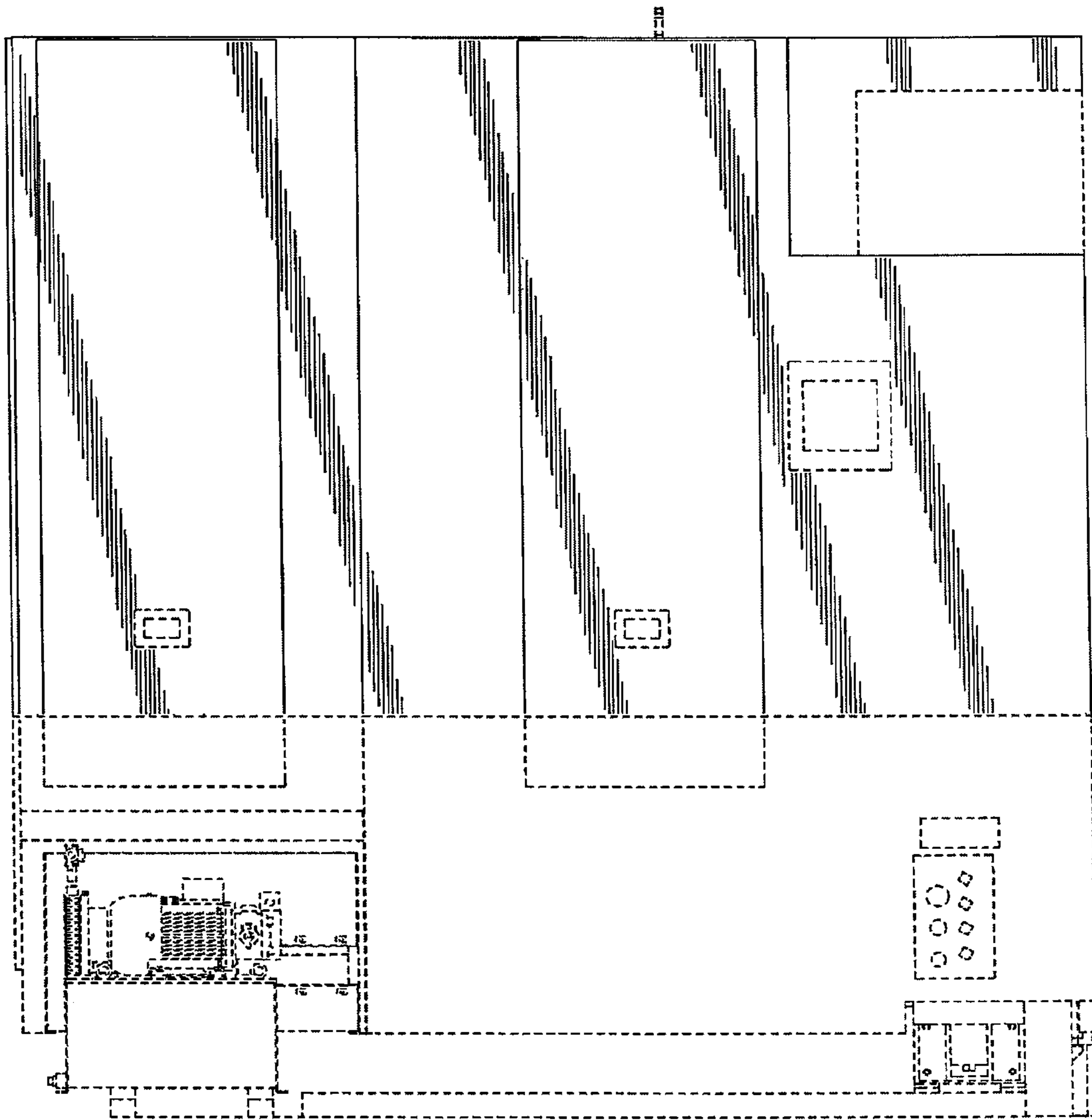


FIG. 5

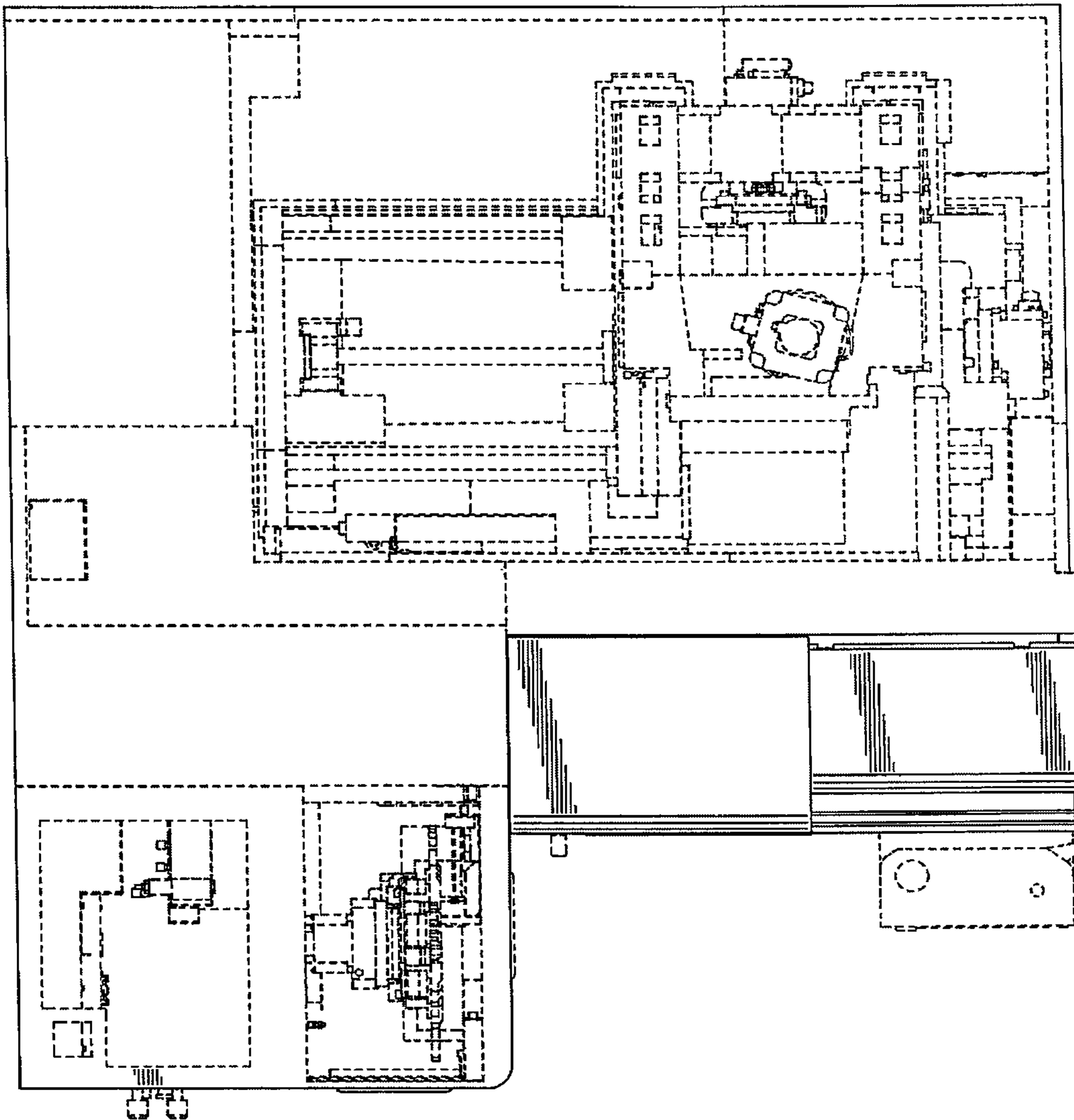


FIG. 6

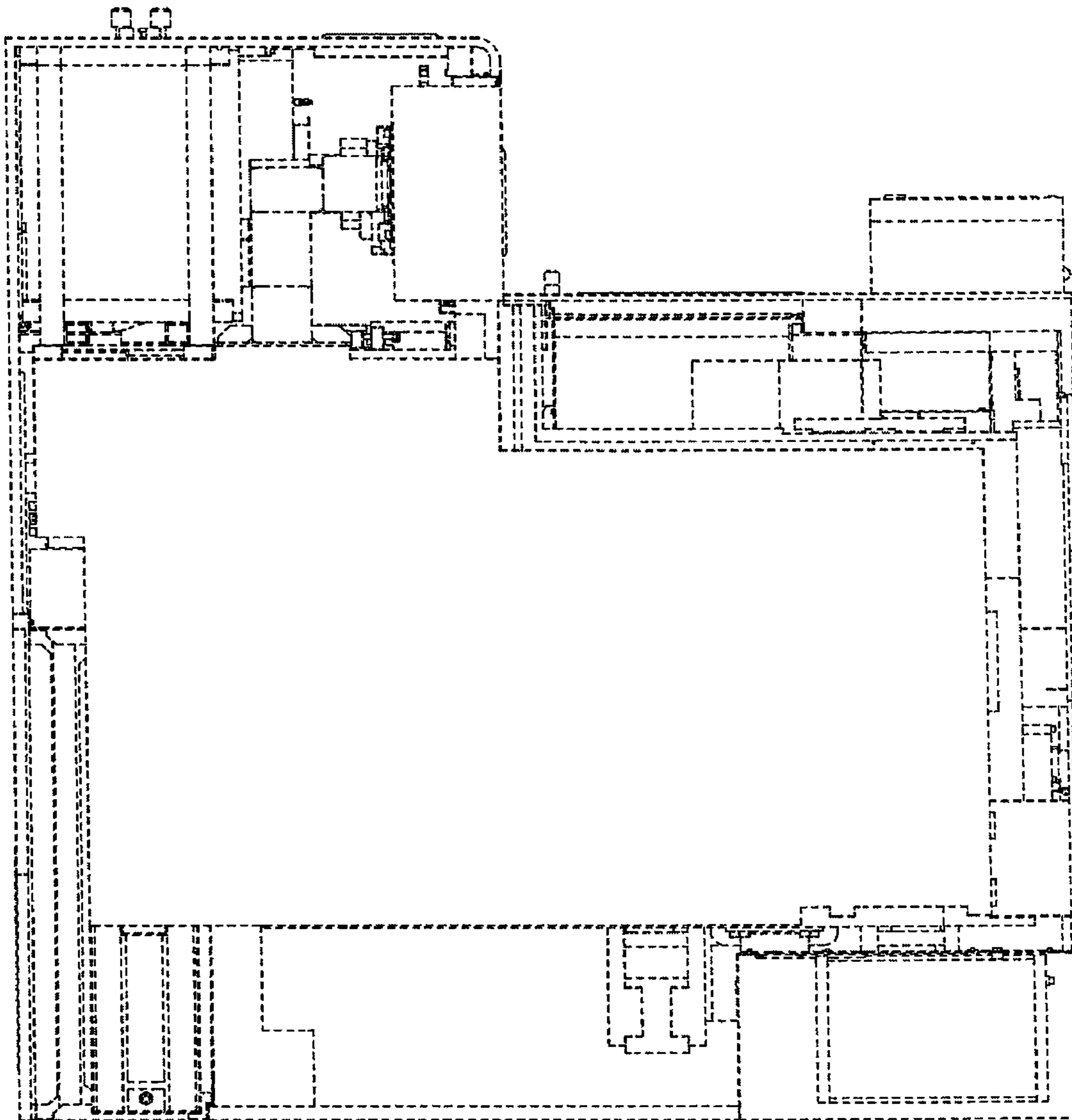


FIG. 7

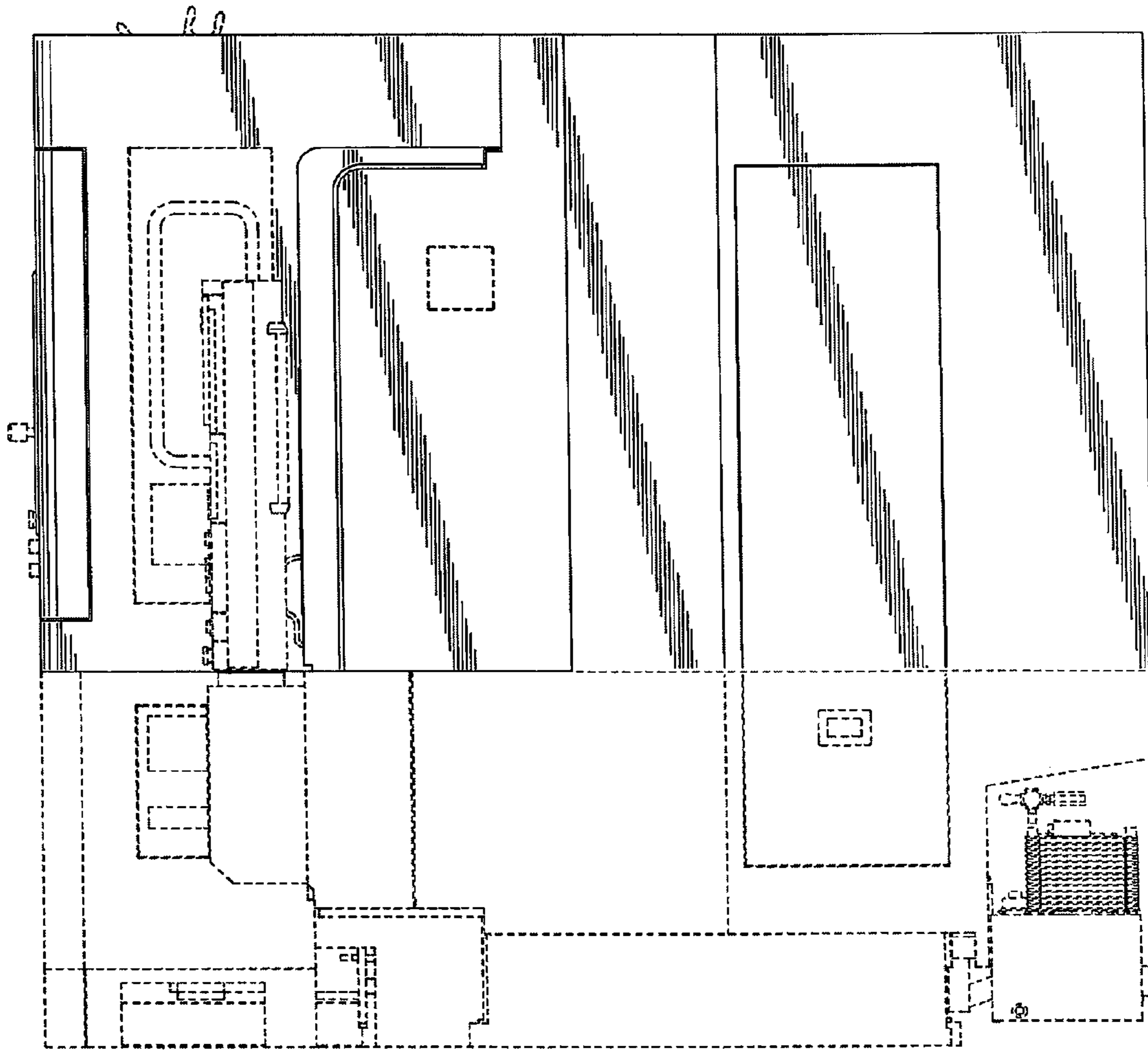


FIG. 8

