



US00D584320S

(12) **United States Design Patent**  
**Huang**

(10) **Patent No.:** **US D584,320 S**

(45) **Date of Patent:** **\*\* Jan. 6, 2009**

(54) **AIR PUMP**

D510,124 S \* 9/2005 Hunt ..... D23/231

(75) Inventor: **Ying-Che Huang**, Chang-Hua (TW)

\* cited by examiner

*Primary Examiner*—R. Seifert

(73) Assignee: **Hewlett-Packard Development Company, L.P.**, Houston, TX (US)

(57) **CLAIM**

(\*\*) Term: **14 Years**

The ornamental design for an air pump, as shown and described.

(21) Appl. No.: **29/305,295**

(22) Filed: **Mar. 17, 2008**

**DESCRIPTION**

(51) **LOC (9) Cl.** ..... **15-02**

(52) **U.S. Cl.** ..... **D15/7**

(58) **Field of Classification Search** ..... D15/7-9;  
D23/231, 232, 225; 417/410.1, 359, 415-416,  
417/234, 321, 265, 405

See application file for complete search history.

FIG. 1 is a perspective view of an air pump showing our new design;

FIG. 2 is a front elevational view thereof;

FIG. 3 is a rear elevational view thereof;

FIG. 4 is a left side elevational view thereof;

FIG. 5 is a right side elevational view thereof;

FIG. 6 is a top view thereof;

FIG. 7 is a bottom view thereof; and,

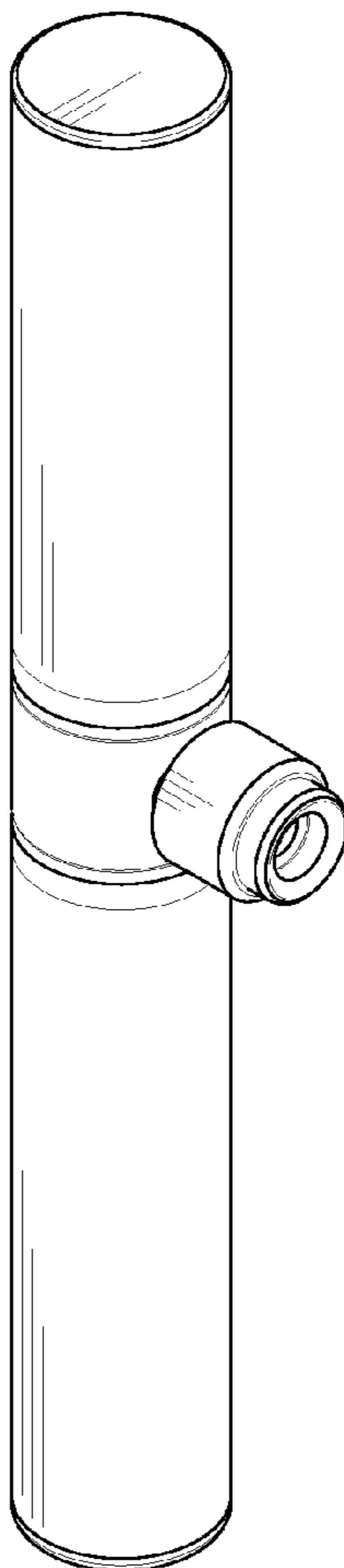
FIG. 8 is a perspective view showing the pump in an alternated position.

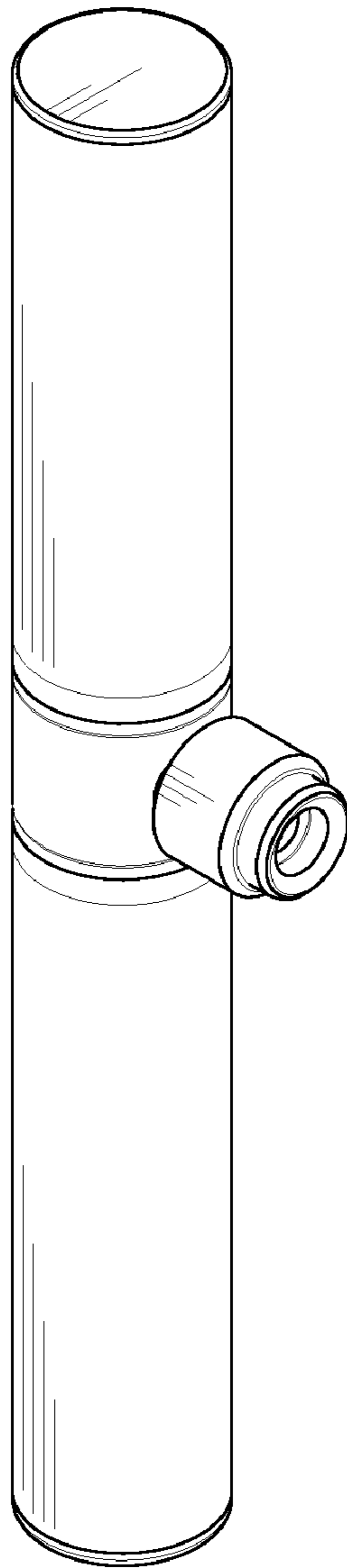
(56) **References Cited**

**U.S. PATENT DOCUMENTS**

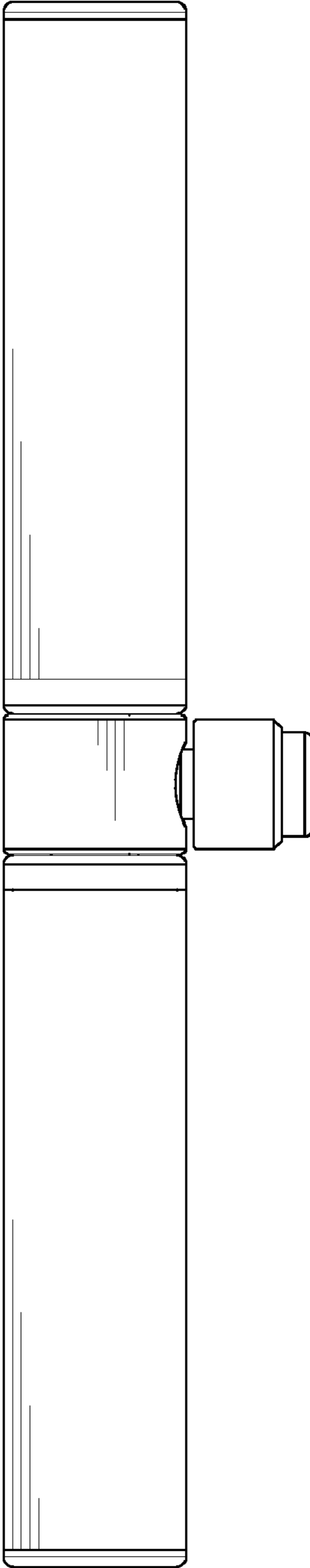
- D304,970 S \* 12/1989 Gibb ..... D23/231
- D351,645 S \* 10/1994 Furusawa ..... D23/231
- D377,139 S \* 1/1997 Bruns ..... D8/14

**1 Claim, 8 Drawing Sheets**





**FIG. 1**



**FIG. 2**

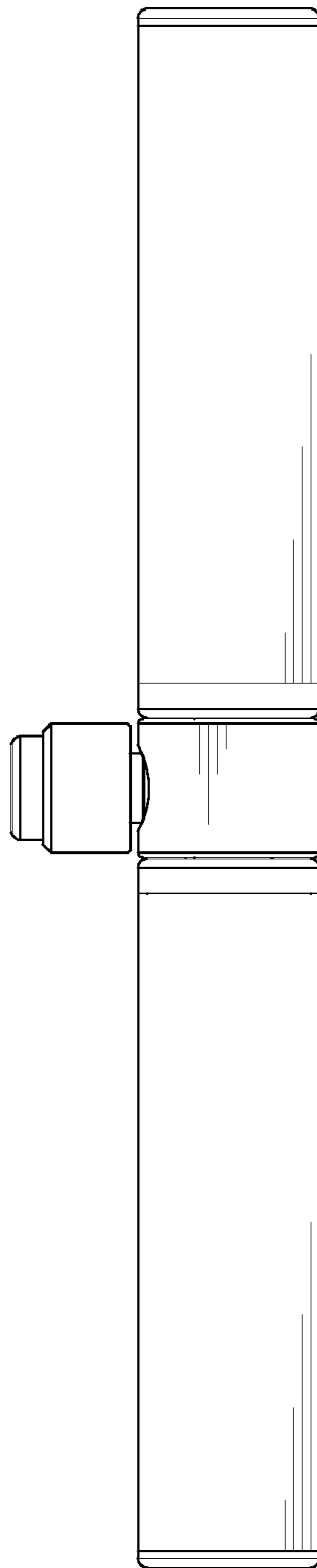
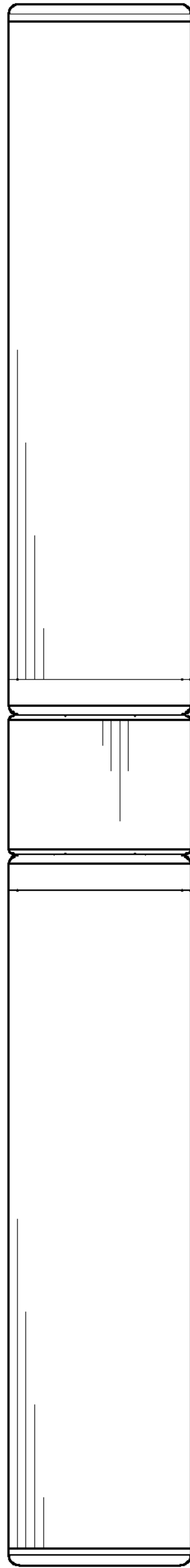
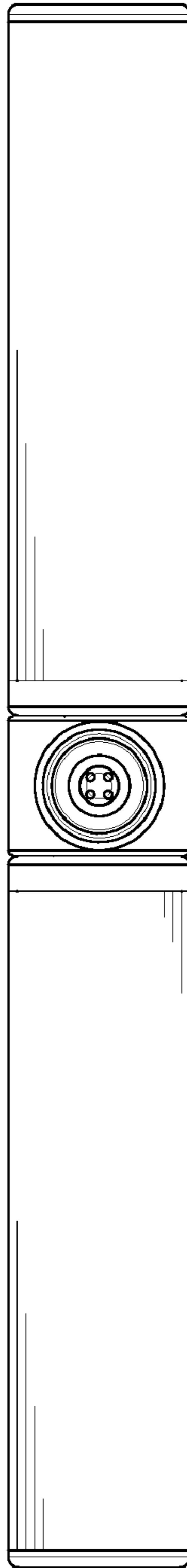


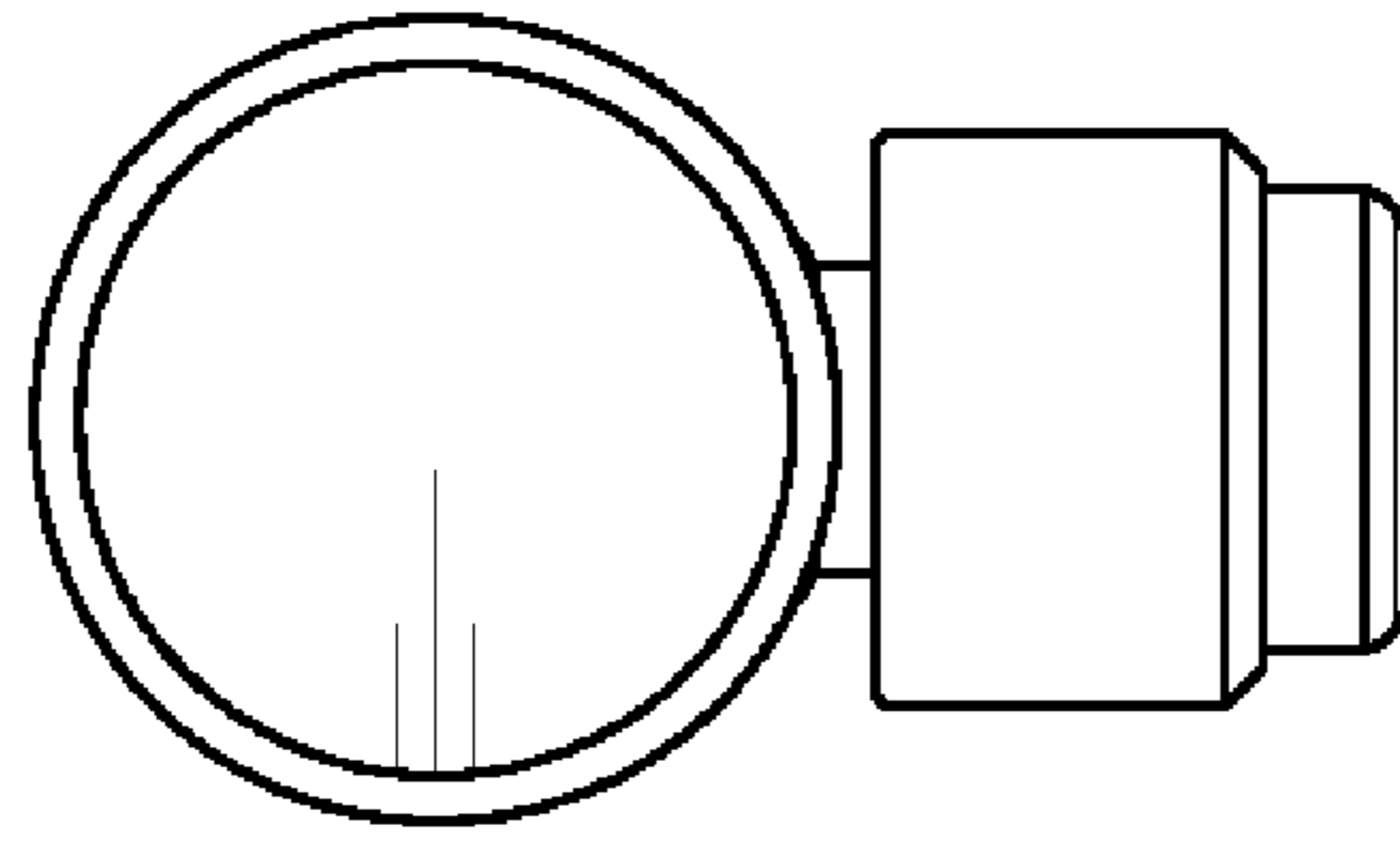
FIG. 3



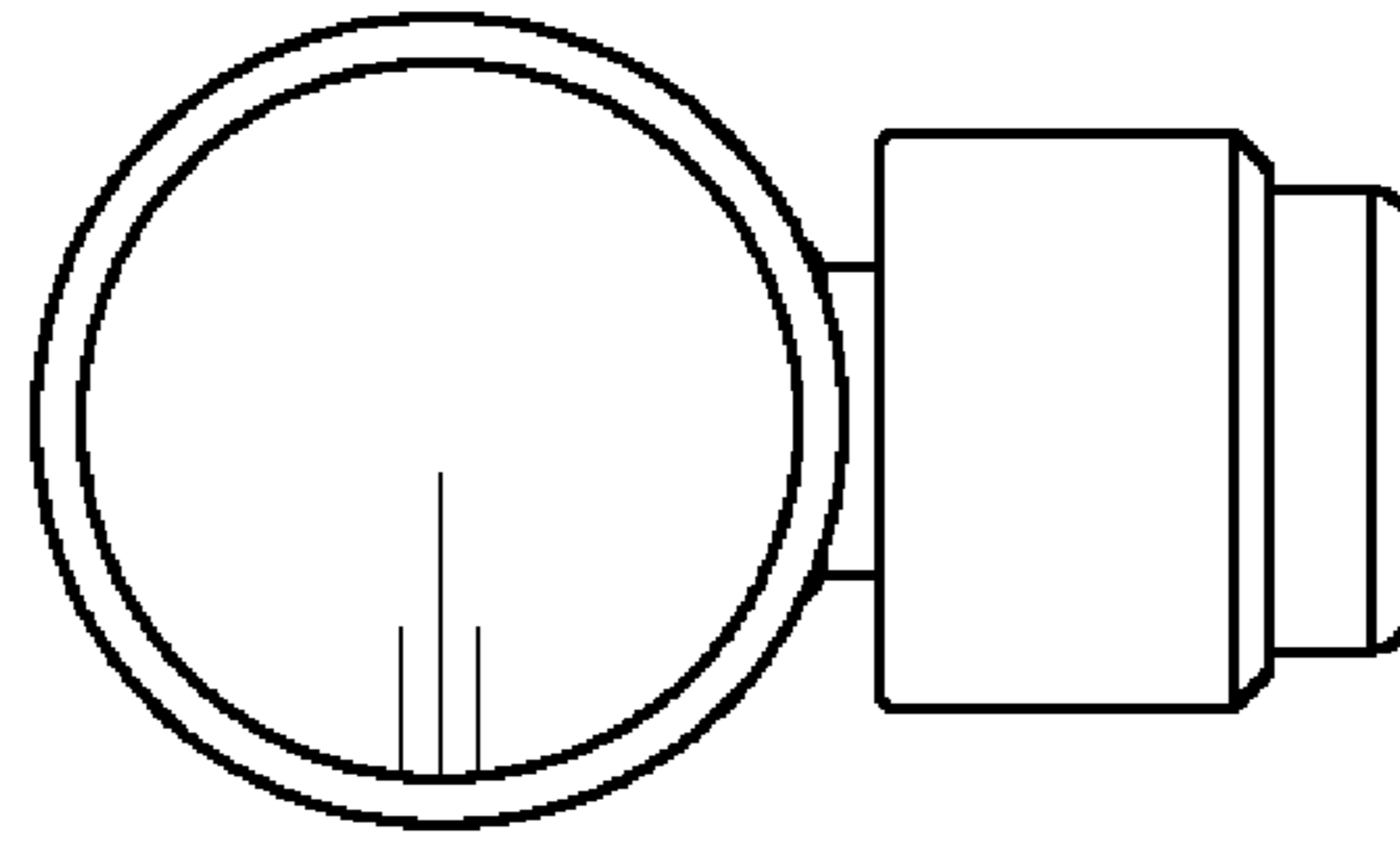
**FIG. 4**



**FIG. 5**

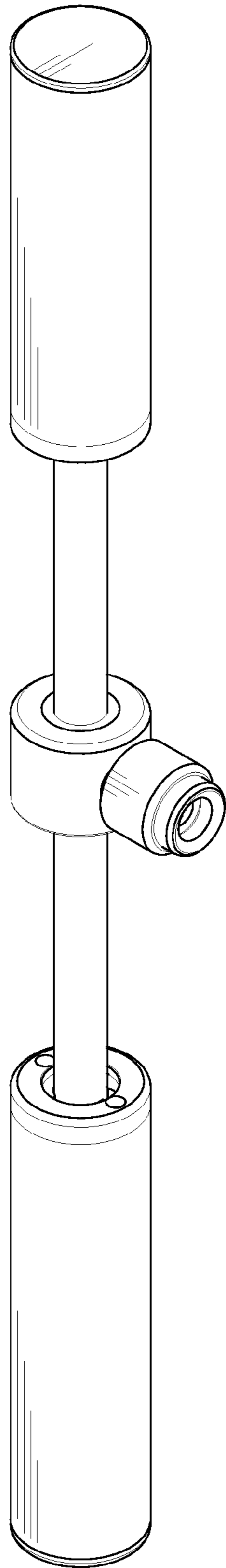


**FIG. 6**



**FIG. 7**





**FIG. 8**

UNITED STATES PATENT AND TRADEMARK OFFICE  
**CERTIFICATE OF CORRECTION**

PATENT NO. : Des. 584,320 S  
APPLICATION NO. : 29/305295  
DATED : January 6, 2009  
INVENTOR(S) : Huang

Page 1 of 2

It is certified that error appears in the above-identified patent and that said Letters Patent is hereby corrected as shown below:

The title page, showing an illustrative figure, should be deleted and substitute therefor the attached title page.

Signed and Sealed this

Seventeenth Day of November, 2009

A handwritten signature in black ink that reads "David J. Kappos". The signature is written in a cursive, slightly slanted style.

David J. Kappos  
*Director of the United States Patent and Trademark Office*

(12) **United States Design Patent**  
**Huang**

(10) **Patent No.:** **US D584,320 S**  
(45) **Date of Patent:** **\*\* Jan. 6, 2009**

(54) **AIR PUMP**

D510,124 S \* 9/2005 Hunt ..... D23/231

(76) Inventor: **Ying-Che Huang, Chang-Hua (TW)**

\* cited by examiner

(\*\*) Term: **14 Years**

*Primary Examiner*—R. Seifert

(21) Appl. No.: **29/305,295**

(57) **CLAIM**

(22) Filed: **Mar. 17, 2008**

The ornamental design for an air pump, as shown and described.

(51) **LOC (9) Cl.** ..... **15-02**

(52) **U.S. Cl.** ..... **D15/7**

(58) **Field of Classification Search** ..... D15/7 9;  
D23/231, 232, 225; 417/410.1, 359, 415-416,  
417/234, 321, 265, 405

**DESCRIPTION**

FIG. 1 is a perspective view of an air pump showing our new design;

FIG. 2 is a front elevational view thereof;

FIG. 3 is a rear elevational view thereof;

FIG. 4 is a left side elevational view thereof;

FIG. 5 is a right side elevational view thereof;

FIG. 6 is a top view thereof;

FIG. 7 is a bottom view thereof; and,

FIG. 8 is a perspective view showing the pump in an alternated position.

See application file for complete search history.

(56) **References Cited**

**U.S. PATENT DOCUMENTS**

- D304,970 S \* 12/1989 Gibb ..... D23/231
- D351,645 S \* 10/1994 Furusawa ..... D23/231
- D377,139 S \* 1/1997 Bruns ..... D8/14

**1 Claim, 8 Drawing Sheets**

