



US00D584316S

(12) **United States Design Patent**
Sheng et al.

(10) **Patent No.:** **US D584,316 S**
(45) **Date of Patent:** **** Jan. 6, 2009**

(54) **MEDIA PLAYER**

(75) Inventors: **Hao Yu Sheng**, Shanghai (CN); **Bin Yu**, Shanghai (CN); **Yan Hui Zha**, Shanghai (CN)

(73) Assignee: **Creative Technology Ltd**, Singapore (SG)

(**) Term: **14 Years**

(21) Appl. No.: **29/318,293**

(22) Filed: **May 16, 2008**

(51) **LOC (9) Cl.** **14-03**

(52) **U.S. Cl.** **D14/496**

(58) **Field of Classification Search** D14/496, D14/401, 435, 474, 483, 217, 137, 138, 160, D14/168, 356; 345/156, 169, 173-179, 905; 715/727-729, 864; 710/1, 5, 8; 713/1, 600; 455/11, 1.7, 73, 93, 95, 3.01-3.06, 550.1, 455/573.1, 344-348; 370/342-344; 369/1, 369/2, 6, 12; 463/43-47; 273/148 B

See application file for complete search history.

(56) **References Cited**

U.S. PATENT DOCUMENTS

6,591,085 B1 * 7/2003 Grady 455/42
D513,265 S * 12/2005 Chan D14/136

D514,588 S * 2/2006 Sassano D14/496
D542,752 S * 5/2007 Liang et al. D14/136
D558,225 S * 12/2007 Gifford et al. D14/496
7,345,671 B2 * 3/2008 Robbin et al. 345/156
D570,876 S * 6/2008 Lee D14/496
D574,849 S * 8/2008 Chen D14/496

* cited by examiner

Primary Examiner—Prabhakar Deshmukh

(74) *Attorney, Agent, or Firm*—Kennedy Koblin

(57) **CLAIM**

The ornamental design for a media player, substantially as shown and described.

DESCRIPTION

FIG. 1 is a front perspective view of a media player showing our new design;

FIG. 2 is a rear perspective view thereof;

FIG. 3 is a front elevational view thereof;

FIG. 4 is a rear elevational view thereof;

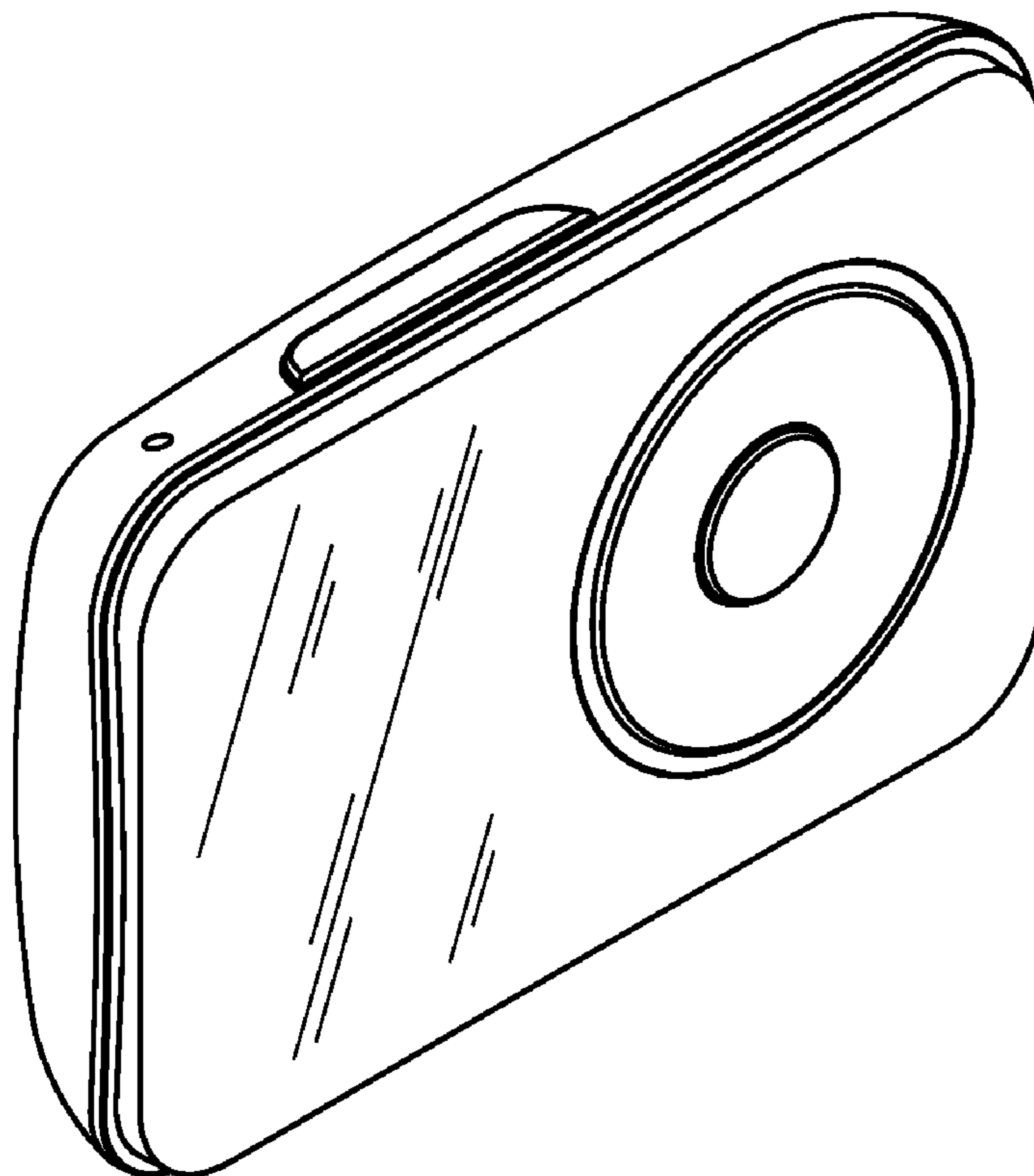
FIG. 5 is a left side elevational view thereof;

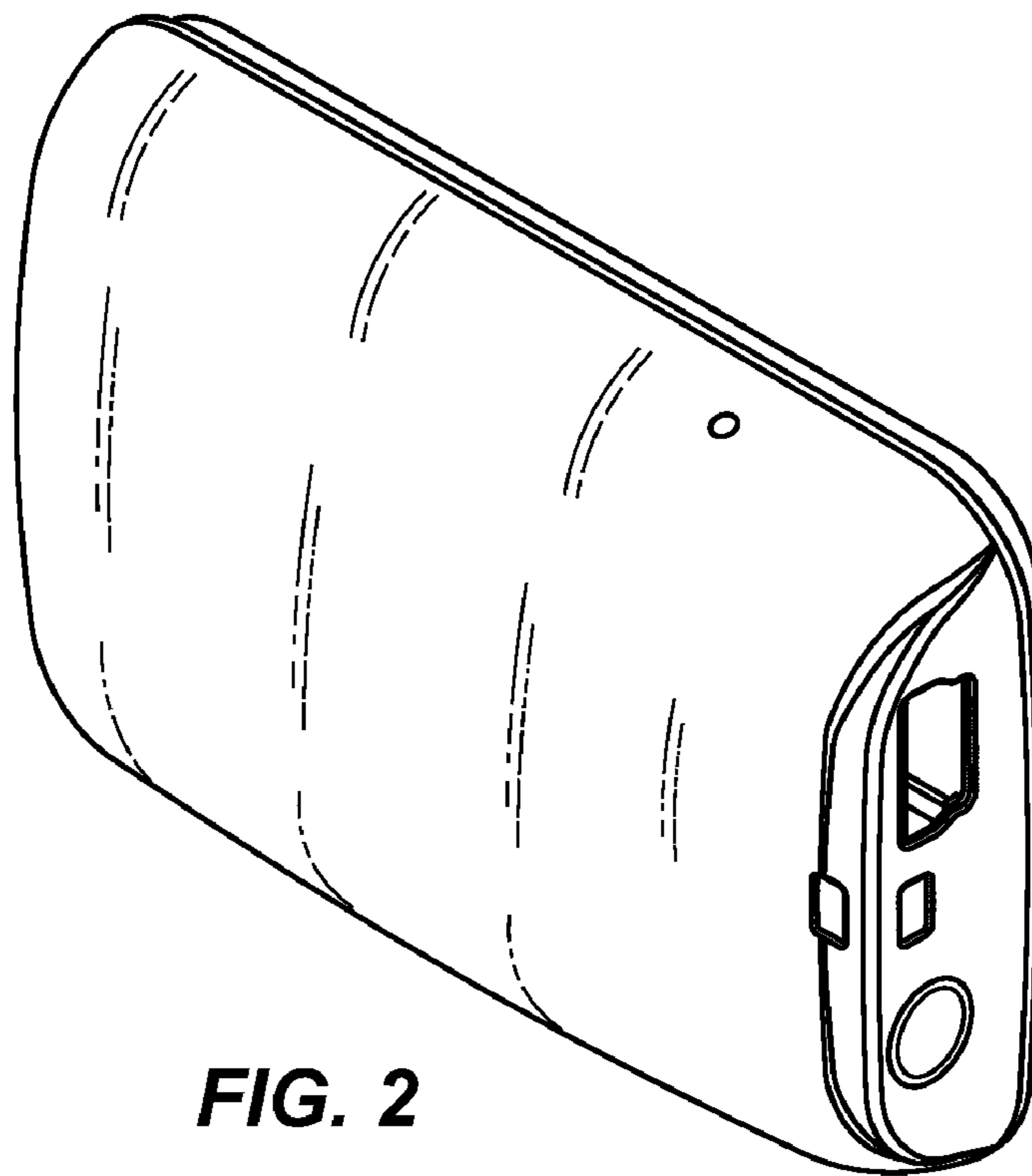
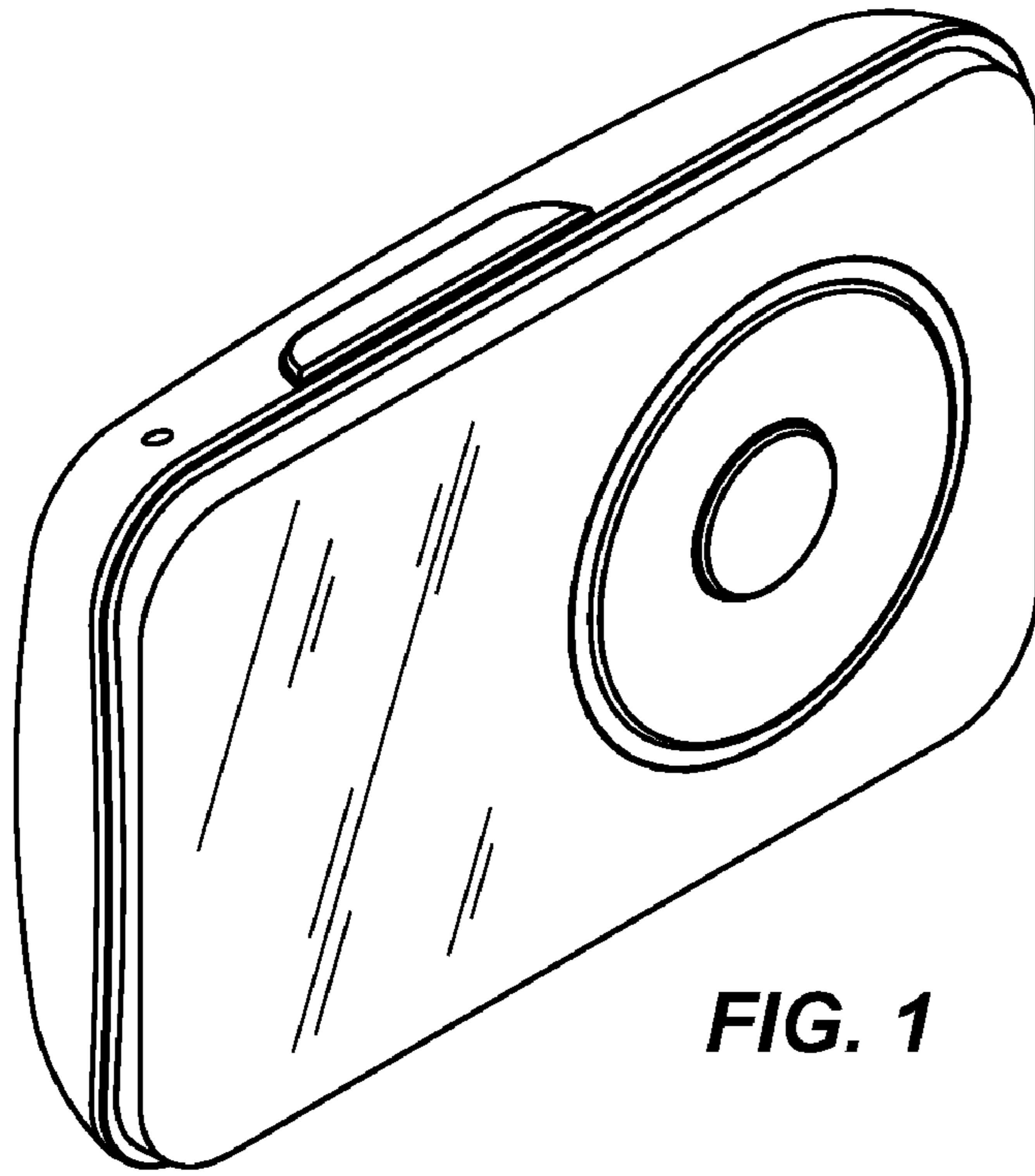
FIG. 6 is a right side elevational view thereof;

FIG. 7 is a top plan view thereof; and,

FIG. 8 is a bottom plan view thereof.

1 Claim, 4 Drawing Sheets





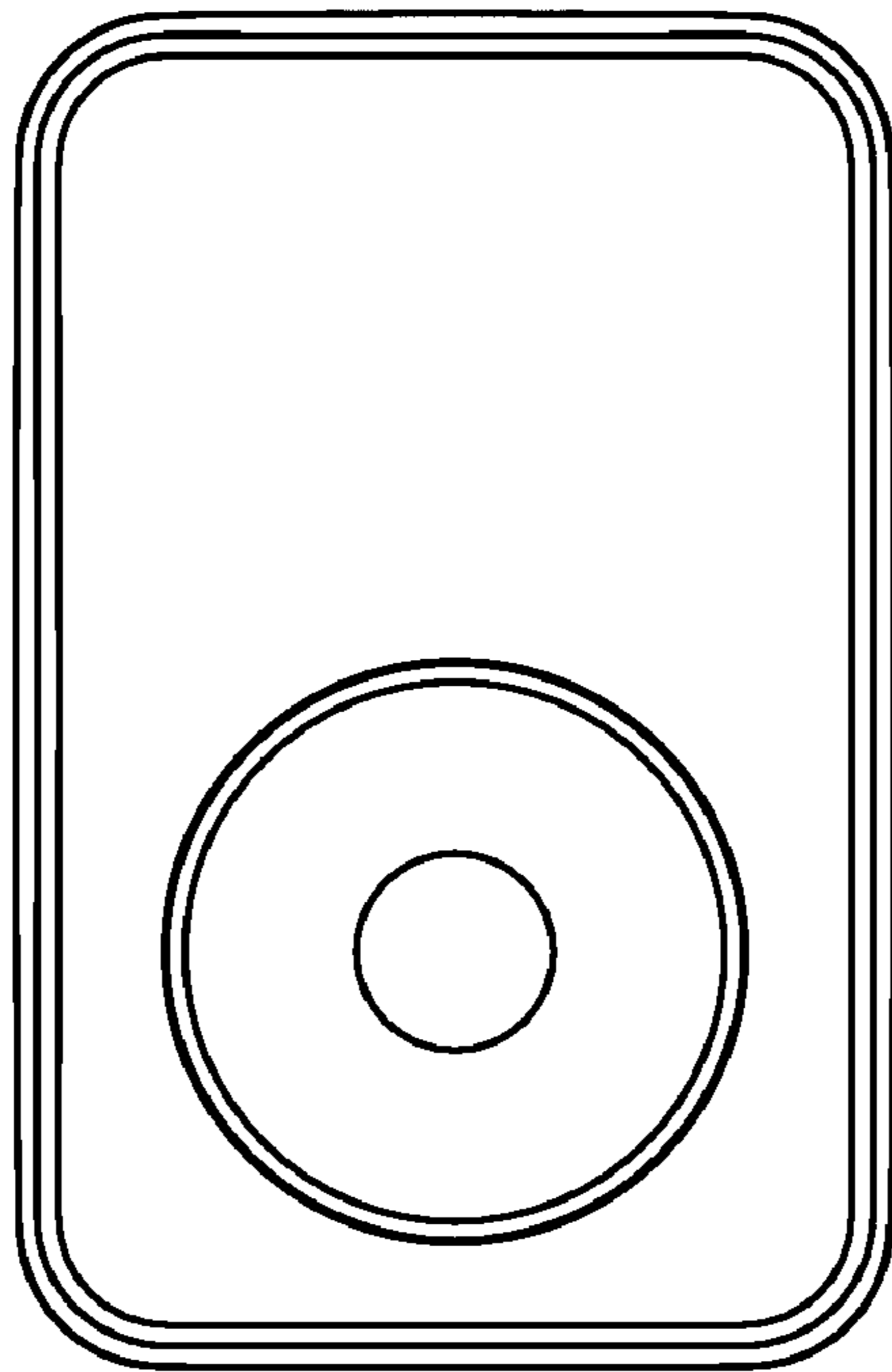


FIG. 3

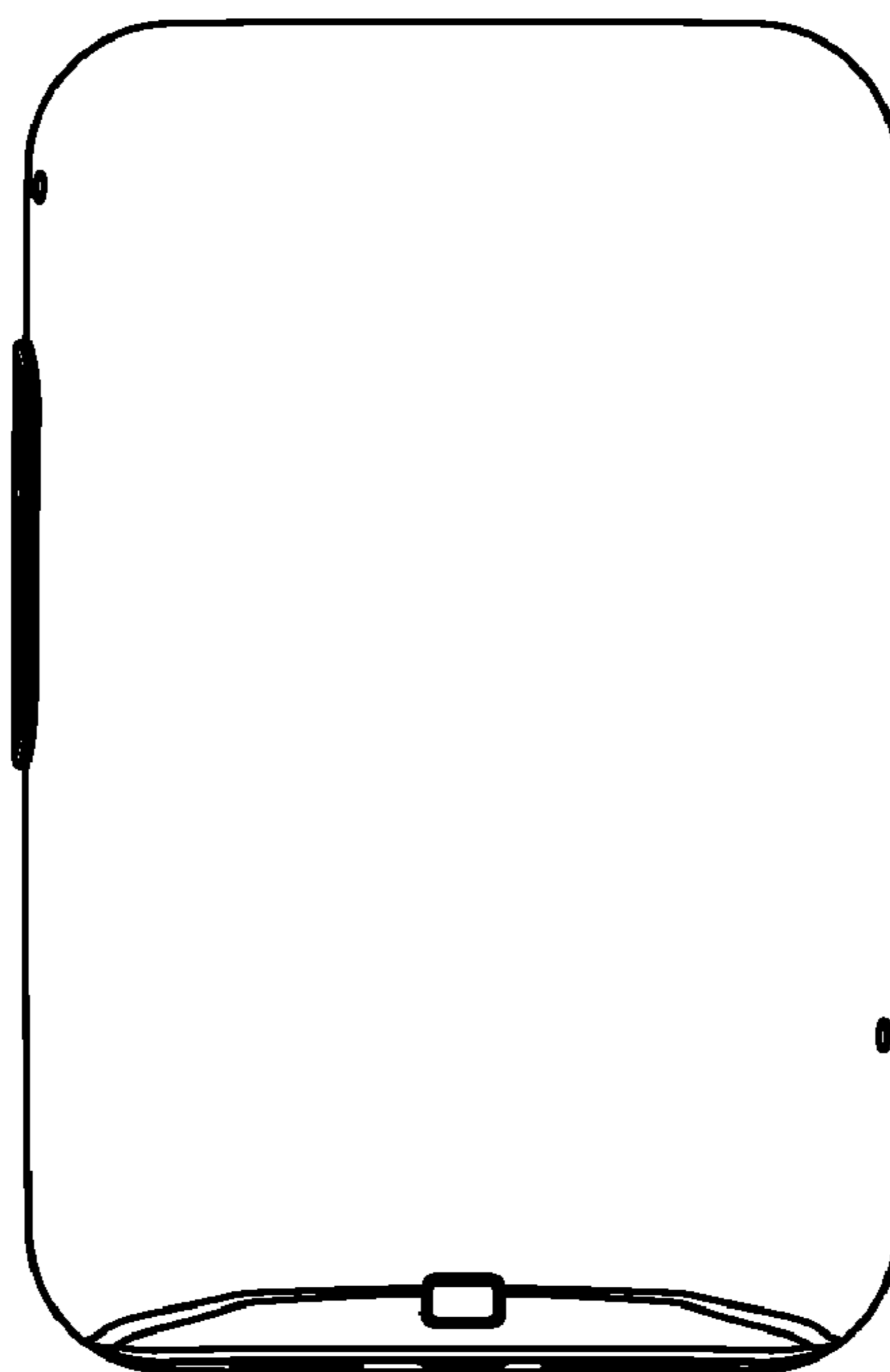


FIG. 4

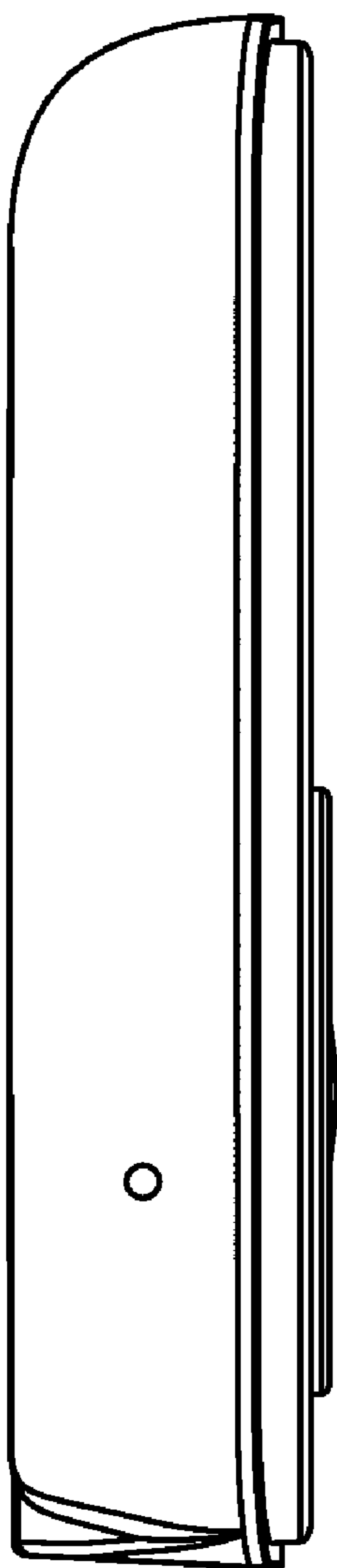


FIG. 5

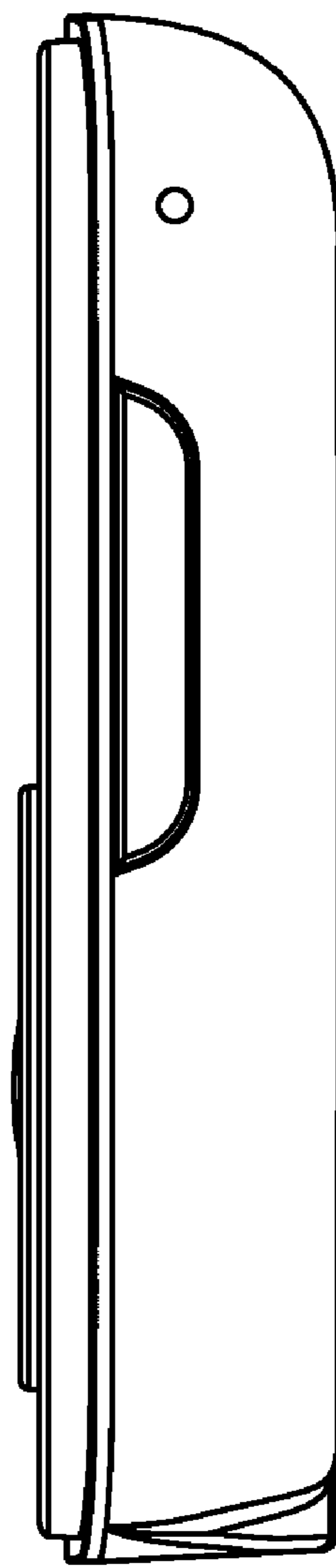


FIG. 6

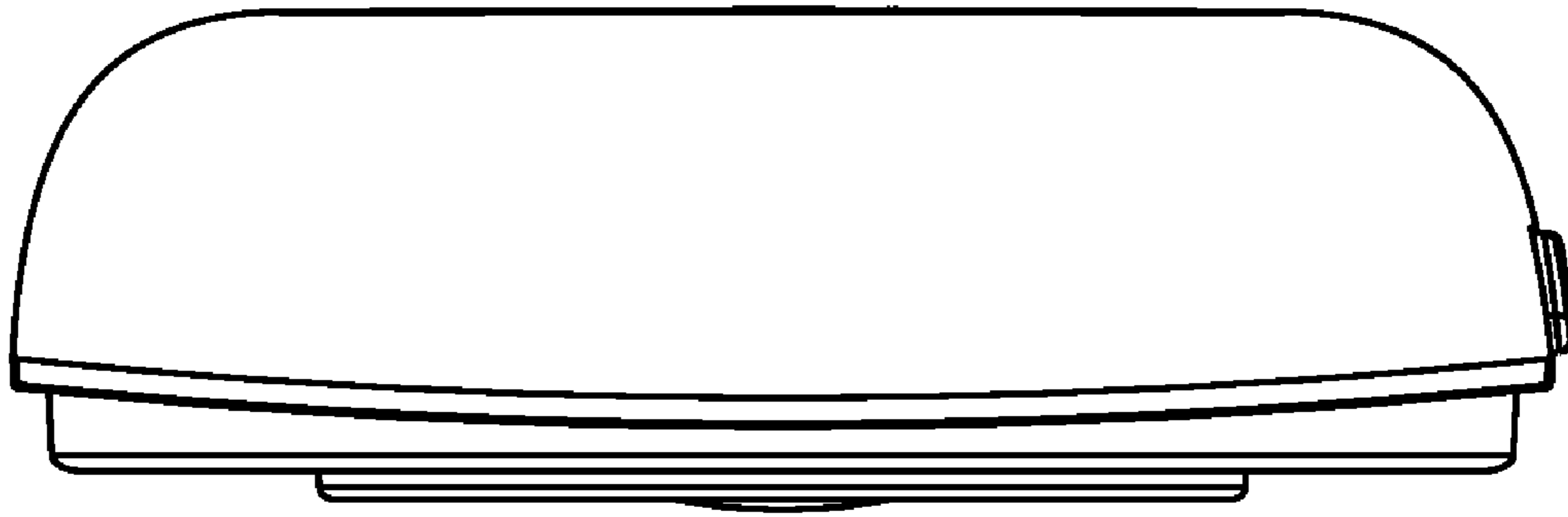


FIG. 7

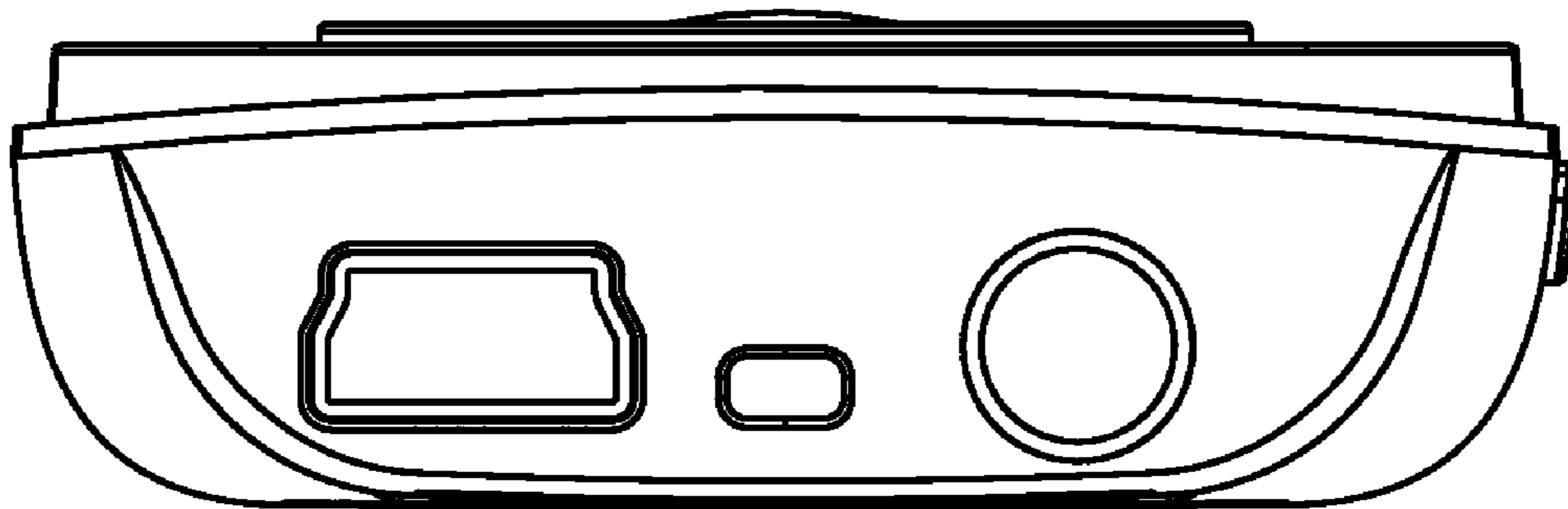


FIG. 8