



US00D584314S

(12) **United States Design Patent**  
**Davis et al.**

(10) **Patent No.:** **US D584,314 S**  
(45) **Date of Patent:** **\*\* Jan. 6, 2009**

(54) **COVER FOR THE BACK OF A PERSONAL COMPUTER TOWER**

(76) Inventors: **Leesa G. Davis**, 4863 Ridgeway Dr., Macks Creek, MO (US) 65786; **Ann G. Stokes**, 3662 N. Stewart, Springfield, MO (US) 65803

(\*\*) Term: **14 Years**

(21) Appl. No.: **29/291,113**

(22) Filed: **Aug. 15, 2007**

(51) **LOC (9) Cl.** ..... **14-02**

(52) **U.S. Cl.** ..... **D14/440**

(58) **Field of Classification Search** ..... D14/439, D14/440; D6/610; 150/154, 158, 164, 165, 150/155, 166; 428/102, 192; 5/499, 497, 5/501, 496, 482, 500, 502, 110; 297/219.1, 297/218.1, 229, 440.1, 452.16; 181/200, 181/201; 206/315.1, 315.4, 320, 586; 454/184; 361/687, 694

See application file for complete search history.

(56) **References Cited**

**U.S. PATENT DOCUMENTS**

1,330,345	A *	2/1920	Randolph	.....	220/315
1,530,088	A *	3/1925	Nathan	.....	297/228.12
2,066,252	A *	12/1936	Cohen, Jr.	.....	5/499
2,162,755	A *	6/1939	Shauer	.....	5/497
2,179,175	A *	11/1939	Cohen, Jr.	.....	5/499
2,191,963	A *	2/1940	London	.....	5/499
2,624,893	A *	1/1953	Harris	.....	5/497
2,705,990	A *	4/1955	Miller	.....	150/165
2,942,280	A *	6/1960	May, Jr.	.....	5/497
2,992,668	A *	7/1961	Collard	.....	150/165
3,114,156	A *	12/1963	Cobb	.....	5/497
3,142,072	A *	7/1964	Goodson, Jr.	.....	5/497
3,273,175	A *	9/1966	Anderson et al.	.....	5/497
3,290,702	A *	12/1966	Seltzer	.....	5/497
3,320,996	A *	5/1967	Singer	.....	150/165
3,601,826	A *	8/1971	Smith	.....	5/499
3,789,441	A *	2/1974	Weiss	.....	5/497
4,308,905	A *	1/1982	Gallagher	.....	150/165

4,625,784	A *	12/1986	Boroson	.....	150/165
4,745,769	A *	5/1988	Wooden, Jr.	.....	62/259.1
4,759,194	A *	7/1988	Shapiro	.....	62/262
4,932,524	A *	6/1990	Hodson	.....	206/320
5,020,177	A *	6/1991	Etherington	.....	5/496
D323,929	S	2/1992	Hodson	.....	D3/30.1
5,125,197	A *	6/1992	Fuchs	.....	52/202
5,474,185	A *	12/1995	Franke	.....	206/586
D373,348	S	9/1996	Carlson	.....	D14/114
D377,788	S	2/1997	Carlson	.....	D14/114
5,628,077	A *	5/1997	Briganti	.....	5/496
5,727,477	A *	3/1998	Kirkendall	.....	108/90
D400,517	S *	11/1998	Watkins	.....	D14/444
5,922,437	A *	7/1999	Bryant	.....	428/102
6,253,398	B1 *	7/2001	Yim	.....	5/499
6,272,701	B1 *	8/2001	Zafiroglu	.....	5/499
6,491,280	B1	12/2002	Fishman	.....	248/683

(Continued)

*Primary Examiner*—Melanie H Tung  
*Assistant Examiner*—Susan Moon Lee  
(74) *Attorney, Agent, or Firm*—Jonathan A. Bay

(57) **CLAIM**

We claim the ornamental design for a cover for the back of a personal computer tower, as shown and described.

**DESCRIPTION**

FIG. 1 is a perspective view of a cover for the back of a personal computer tower showing my new design, wherein a personal computer tower and cords thereof are shown in broken lines for illustrative purposes only and form no part of the claimed design;

FIG. 2 is a right side elevational view thereof;

FIG. 3 is a left side elevational view thereof;

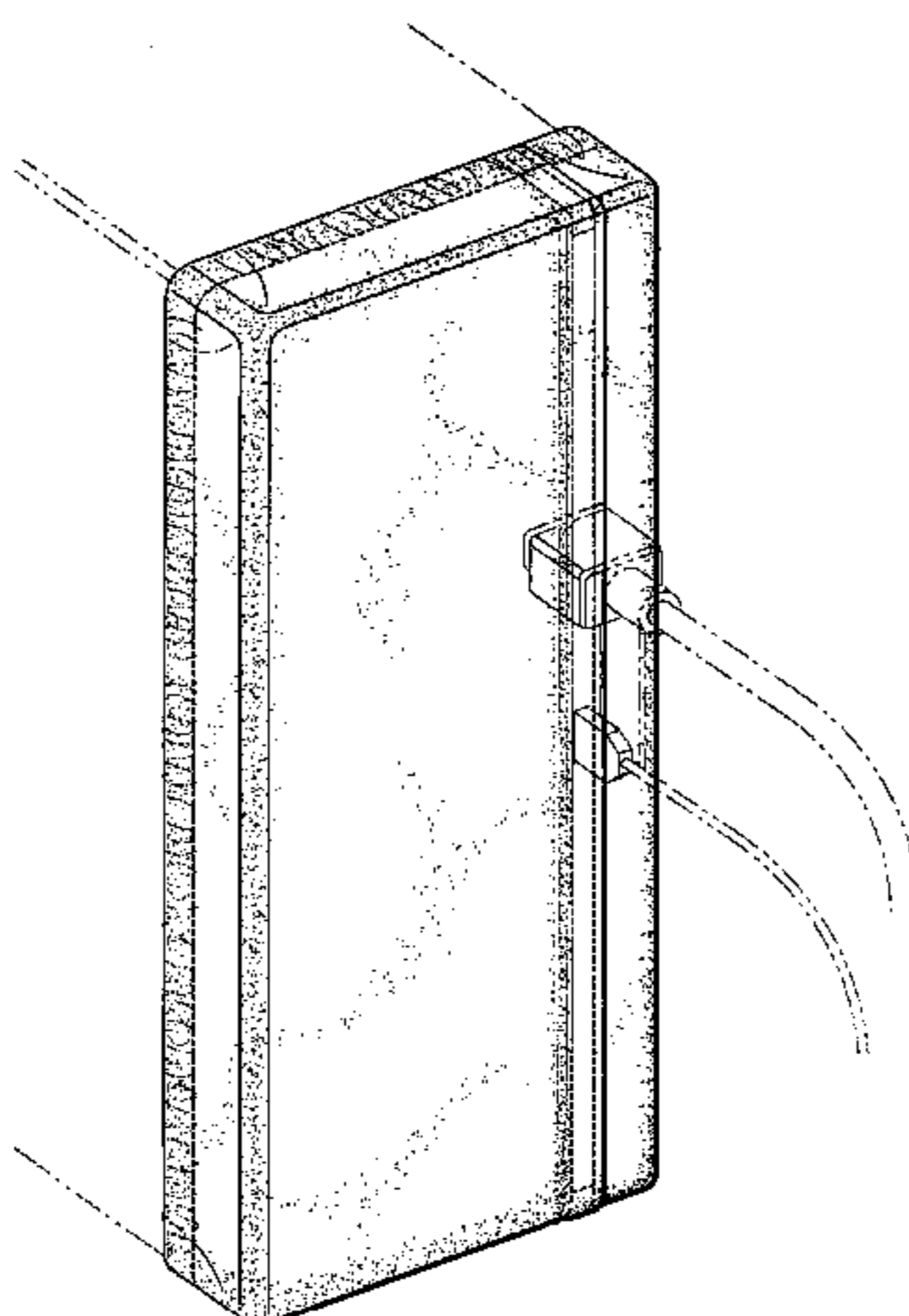
FIG. 4 is a front elevational view thereof;

FIG. 5 is a top plan view thereof; and,

FIG. 6 is a rear elevational view thereof.

The dashed lines on the cover itself represent stitching and form part of the claimed design.

**1 Claim, 3 Drawing Sheets**



# US D584,314 S

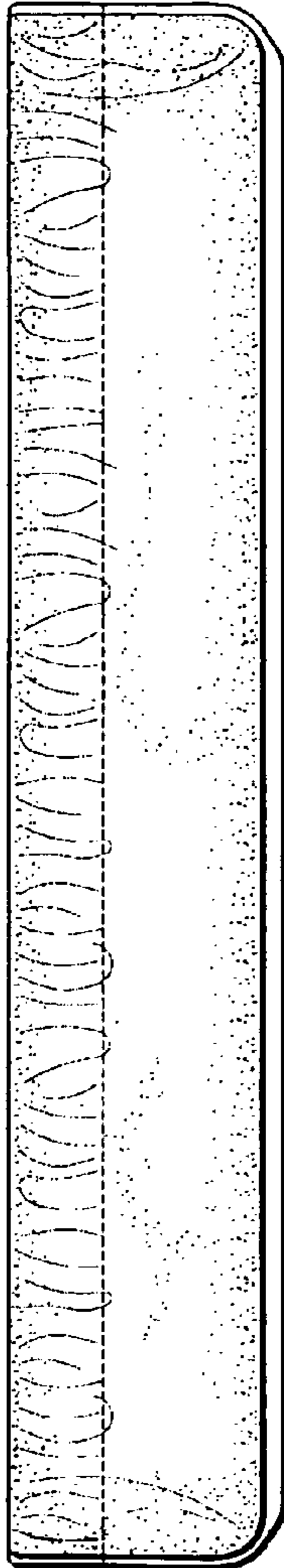
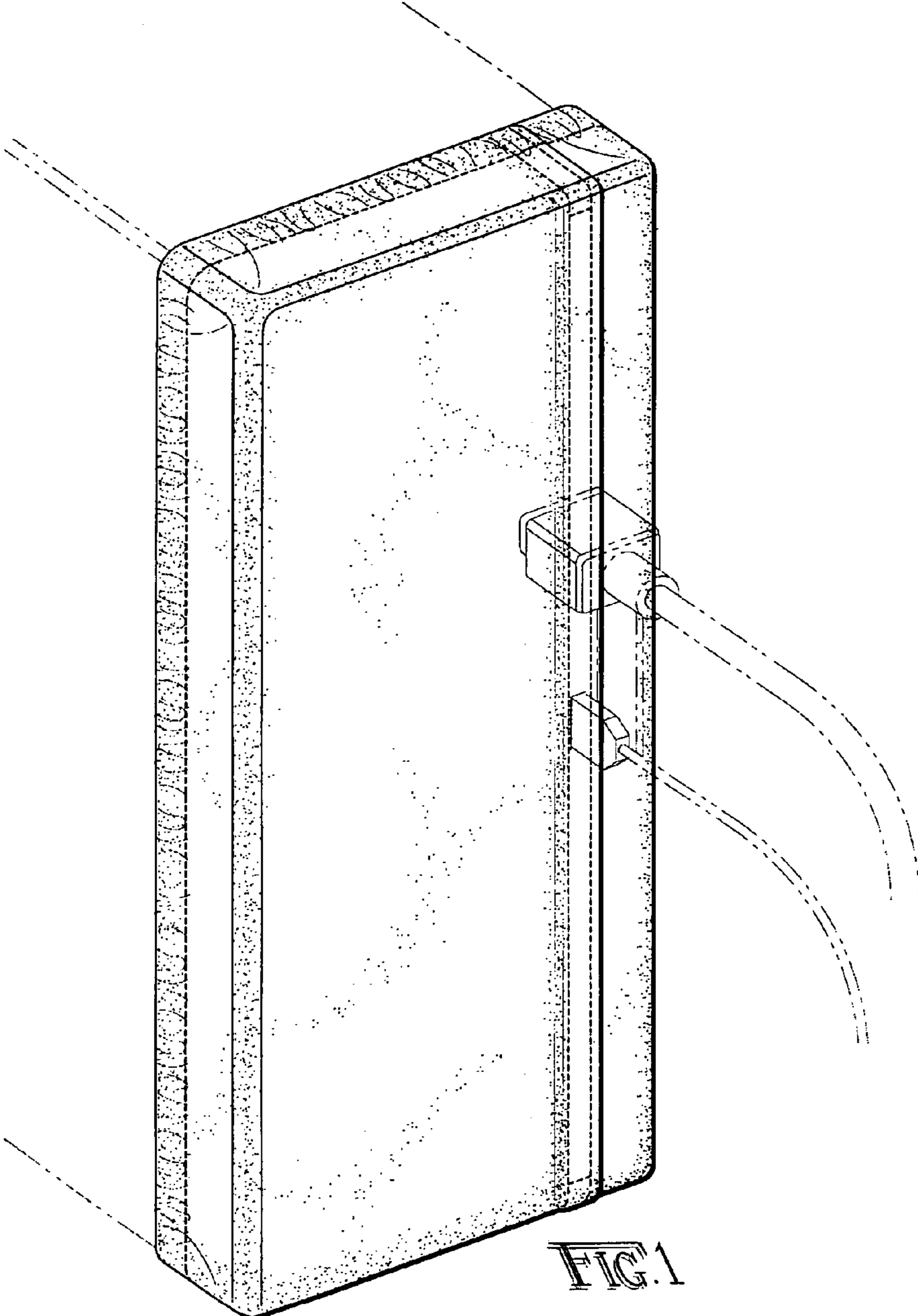
Page 2

---

## U.S. PATENT DOCUMENTS

6,842,921	B1 *	1/2005	Tsiarkezos et al. ....	5/497	7,328,589	B2 *	2/2008	Boone .....	62/262
6,859,962	B2 *	3/2005	Diak/Ghanem .....	5/499	2003/0066133	A1 *	4/2003	Blossman .....	5/499
6,883,193	B2 *	4/2005	Brooks et al. ....	5/497	2004/0040090	A1 *	3/2004	Wootten .....	5/497
6,983,500	B2 *	1/2006	Wootten .....	5/497	2004/0068794	A1 *	4/2004	Wootten .....	5/497
7,147,106	B2 *	12/2006	Kowalski et al. ....	206/326	2004/0172754	A1 *	9/2004	Brooks et al. ....	5/499
7,181,797	B2 *	2/2007	Chase .....	5/738	2005/0177942	A1 *	8/2005	Finn .....	5/499

\* cited by examiner



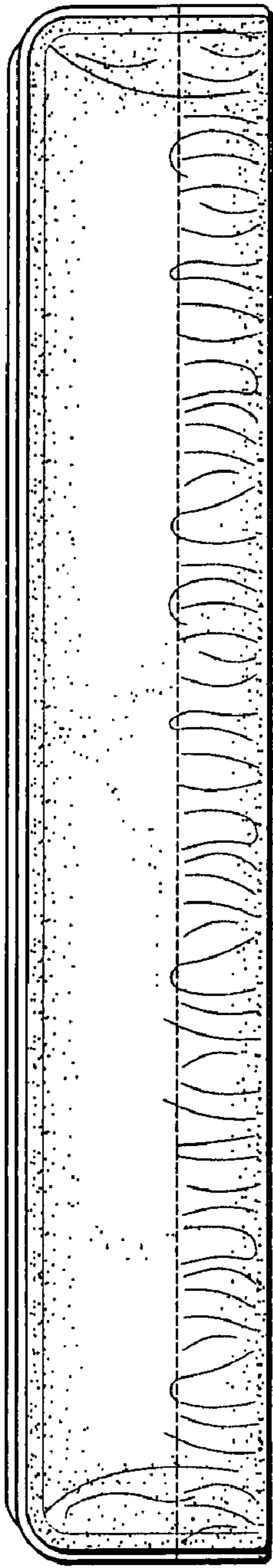


FIG. 3

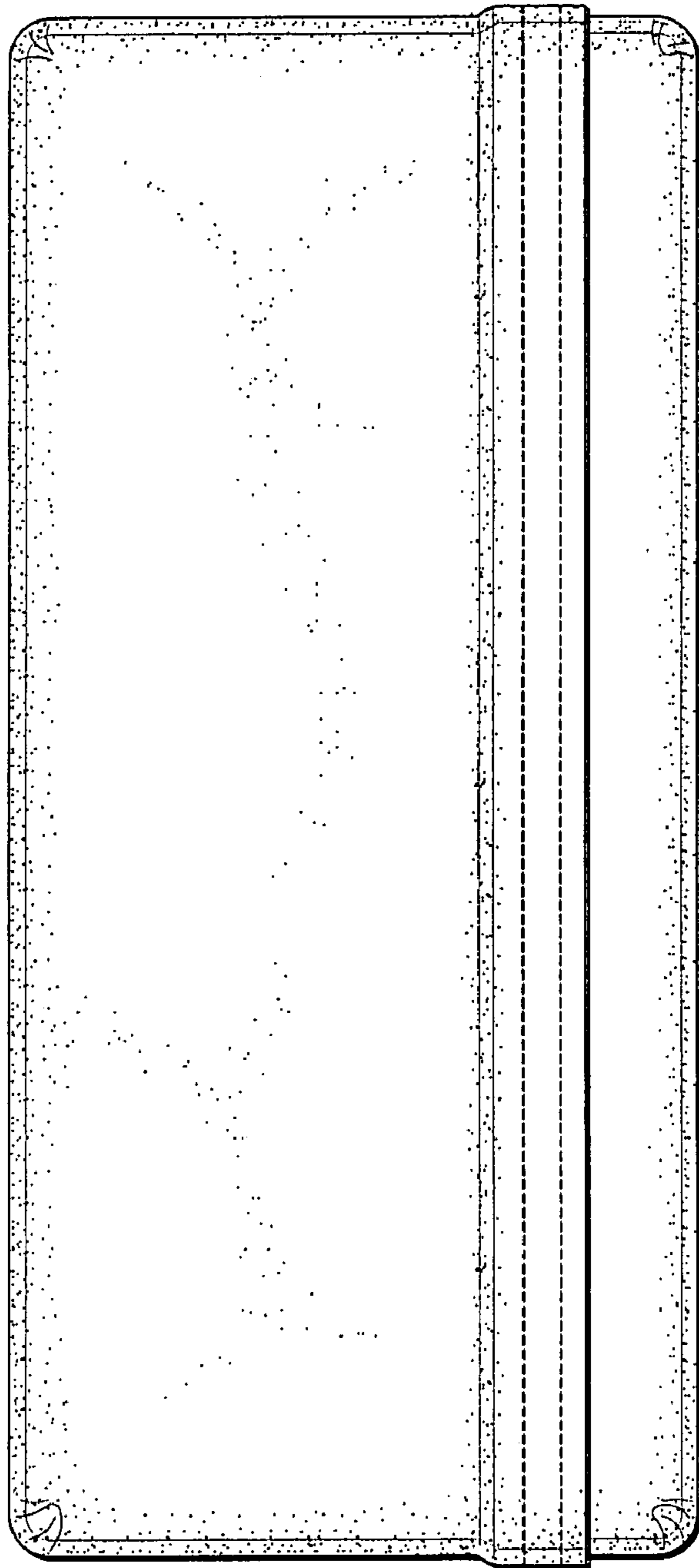


FIG. 4

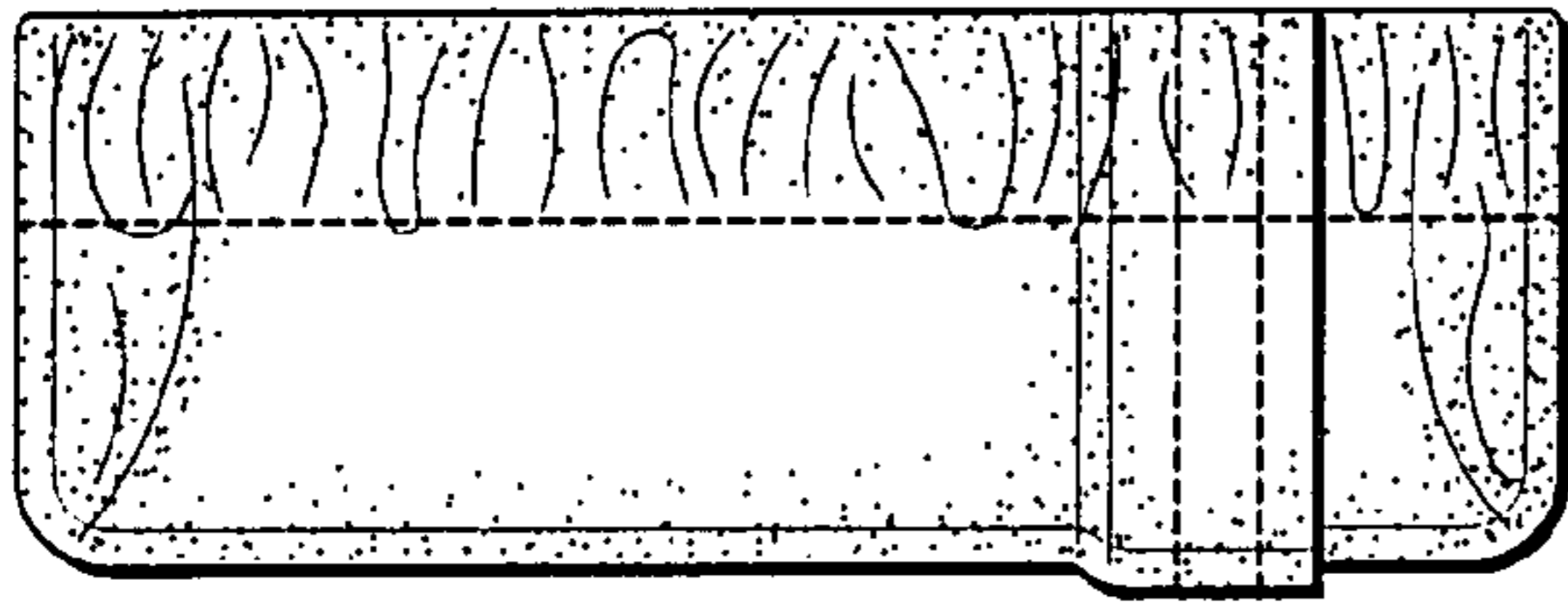


FIG. 5

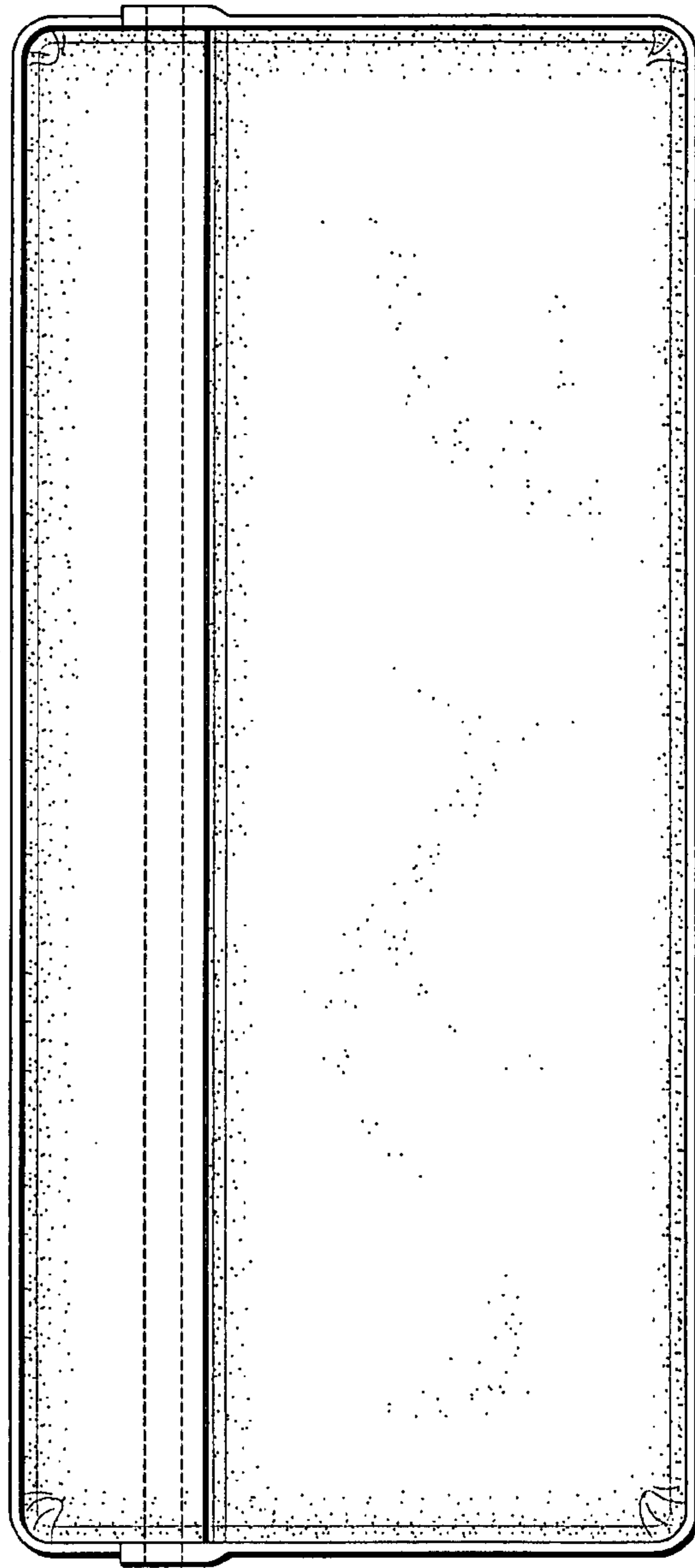


FIG. 6