



US00D584313S

(12) **United States Design Patent**  
**Pittel et al.**

(10) **Patent No.:** **US D584,313 S**  
(45) **Date of Patent:** **\*\* Jan. 6, 2009**

(54) **ELECTRONIC STYLUS HOLDER**

(75) Inventors: **Arkady Pittel**, Brookline, MA (US);  
**Christopher K. Barmore**, Cambridge,  
MA (US)

(73) Assignee: **CandleDragon, Inc.**, Brookline, MA  
(US)

(\*\*) Term: **14 Years**

(21) Appl. No.: **29/304,108**

(22) Filed: **Feb. 25, 2008**

D351,133 S *	10/1994	Jungels-Butler et al. ...	D13/108
D354,961 S *	1/1995	Richards et al. ....	D14/253
D362,004 S *	9/1995	Nakano et al. ....	D14/253
D368,479 S *	4/1996	Larson .....	D14/253
D369,343 S *	4/1996	Bliven .....	D13/108
5,627,727 A *	5/1997	Aguilera et al. ....	361/686
D379,819 S *	6/1997	Kelley et al. ....	D14/253
5,665,485 A *	9/1997	Kuwayama et al. ....	429/100
D413,607 S *	9/1999	Lindahl .....	D14/253
D428,387 S *	7/2000	Malloy et al. ....	D13/107
D439,218 S *	3/2001	Yu .....	D13/103
D451,915 S *	12/2001	Dalmau .....	D14/253
D483,052 S *	12/2003	Utsunomiya .....	D16/242
D516,026 S *	2/2006	Barrett et al. ....	D13/108
D525,935 S *	8/2006	Hussaini et al. ....	D13/108

(51) **LOC (9) Cl.** ..... **14-02**

(52) **U.S. Cl.** ..... **D14/434**

(58) **Field of Classification Search** ..... D14/434,  
D14/447, 432, 385, 357, 149, 457, 253, 251,  
D14/356, 137, 138, 107, 155; D13/199,  
D13/107, 108, 118, 109, 110, 119, 184; 361/600,  
361/679, 683, 686; 200/6 R; 206/701; 320/113-115,  
320/107; 379/426; 455/557, 556.1, 556.2,  
455/573; 345/156, 901, 905; 439/374, 131,  
439/529, 534, 929, 346, 31, 640; 235/472.01;  
248/309.1, 221.11; 429/100; D21/333, 392;  
D19/65; 24/303; D8/395

See application file for complete search history.

(56) **References Cited**

**U.S. PATENT DOCUMENTS**

D240,433 S *	7/1976	Krapowicz .....	D13/108
D315,161 S *	3/1991	Watanabe .....	D14/253
D317,911 S *	7/1991	Yokoi .....	D14/453
D324,024 S *	2/1992	Nagele et al. ....	D13/108
D331,220 S *	11/1992	Tsuchiya .....	D13/107
D336,281 S *	6/1993	Nakamura et al. ....	D13/107
D339,809 S *	9/1993	Ron .....	D14/253
D349,125 S *	7/1994	Wilson et al. ....	D16/208

\* cited by examiner

*Primary Examiner*—Melanie H Tung  
*Assistant Examiner*—Susan Moon Lee

(74) *Attorney, Agent, or Firm*—Fish & Richardson P.C.

(57) **CLAIM**

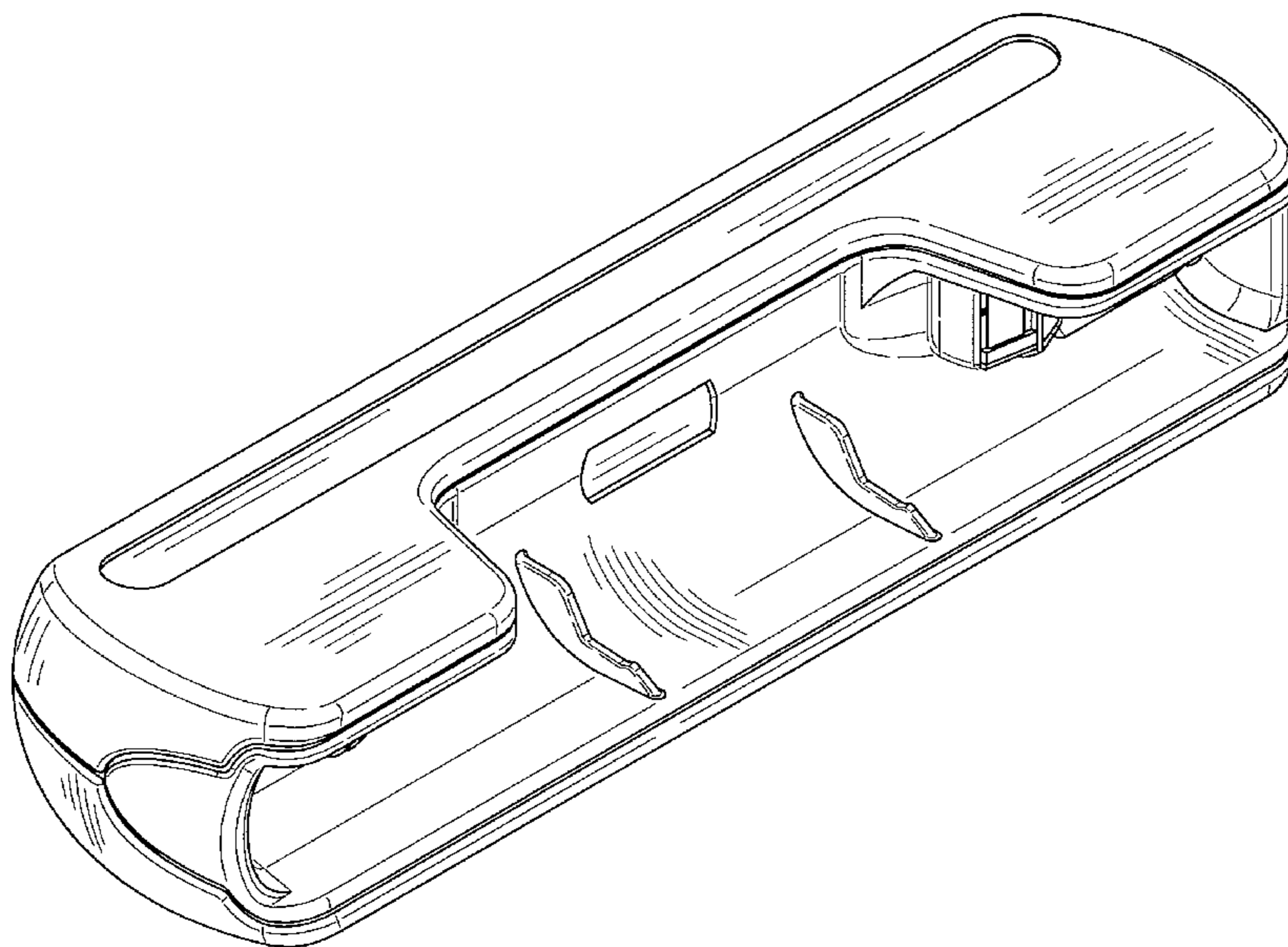
The ornamental design for an electronic stylus holder, substantially as shown and described.

**DESCRIPTION**

FIG. 1 is a perspective view of the electronic stylus holder;  
FIG. 2 is a front view;  
FIG. 3 is a back view;  
FIG. 4 is a right side view;  
FIG. 5 is a left side view;  
FIG. 6 is a top view; and,  
FIG. 7 is a bottom view.

The portions in broken line are not claimed.

**1 Claim, 3 Drawing Sheets**



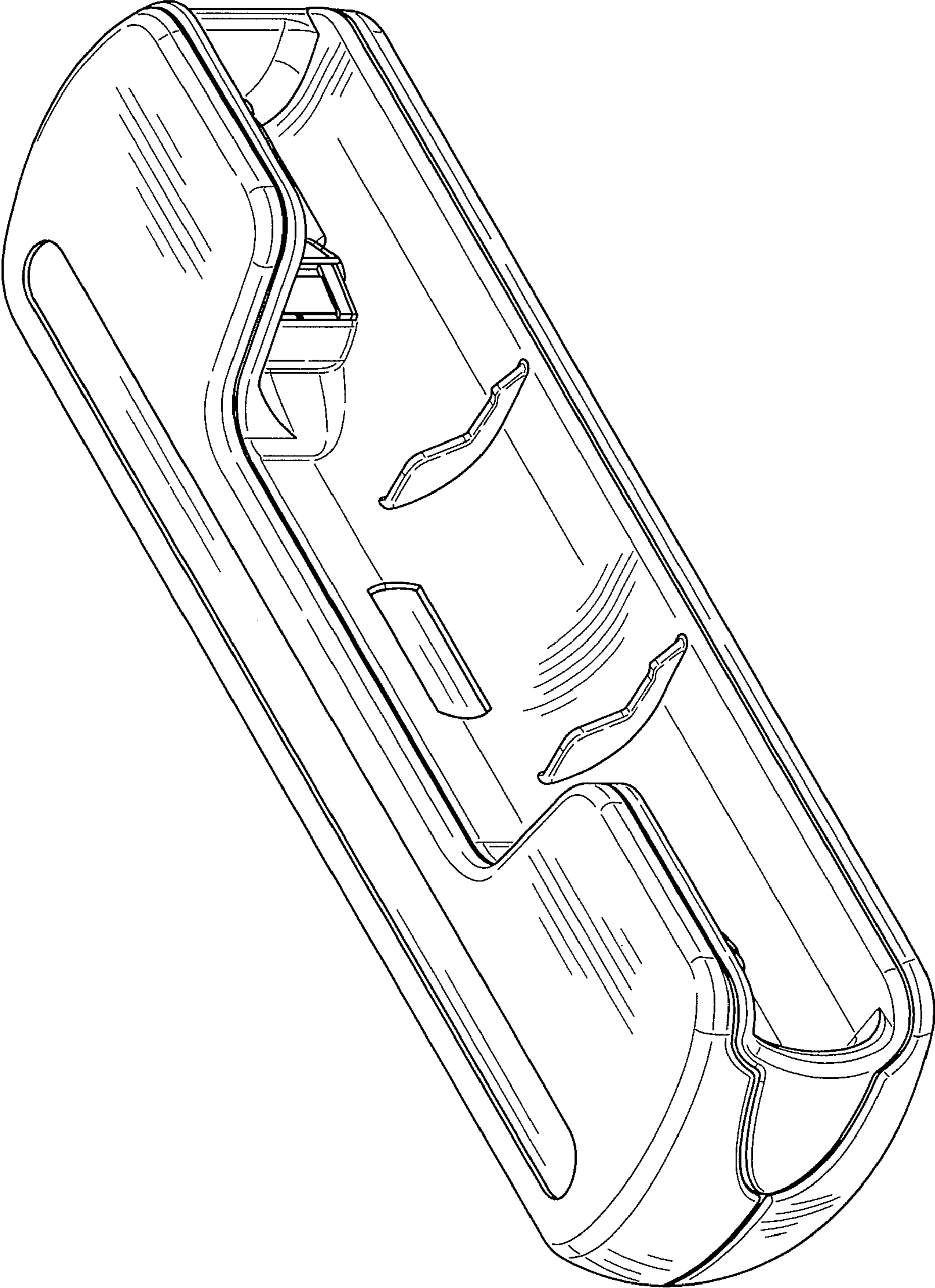


FIG. 1

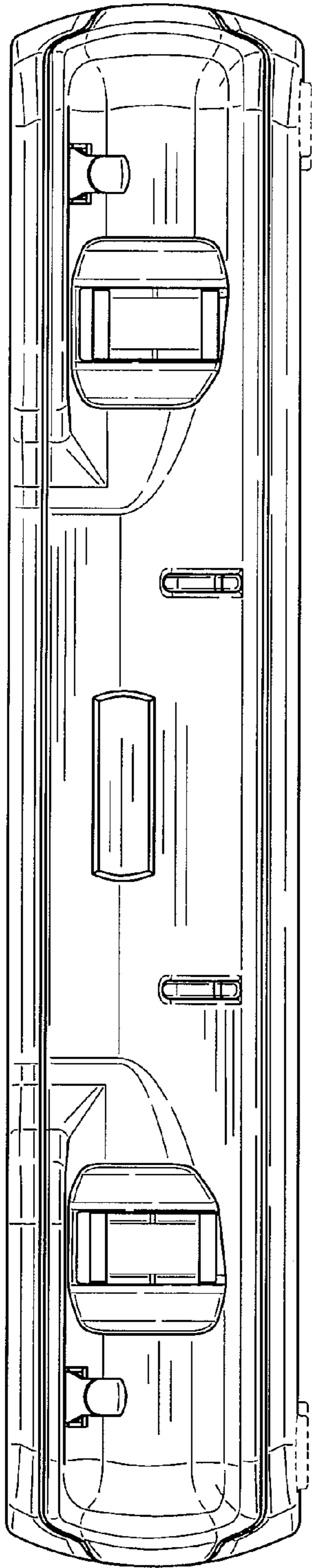


FIG. 2

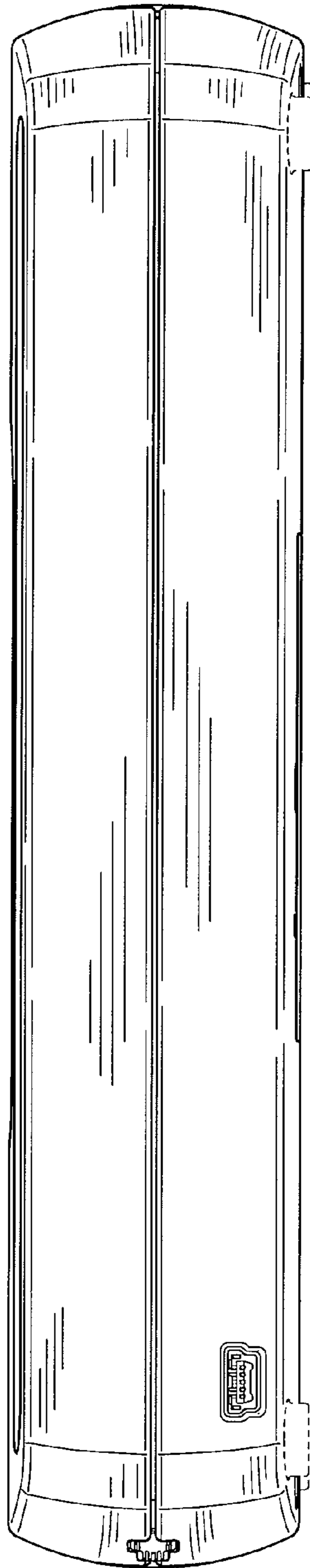


FIG. 3

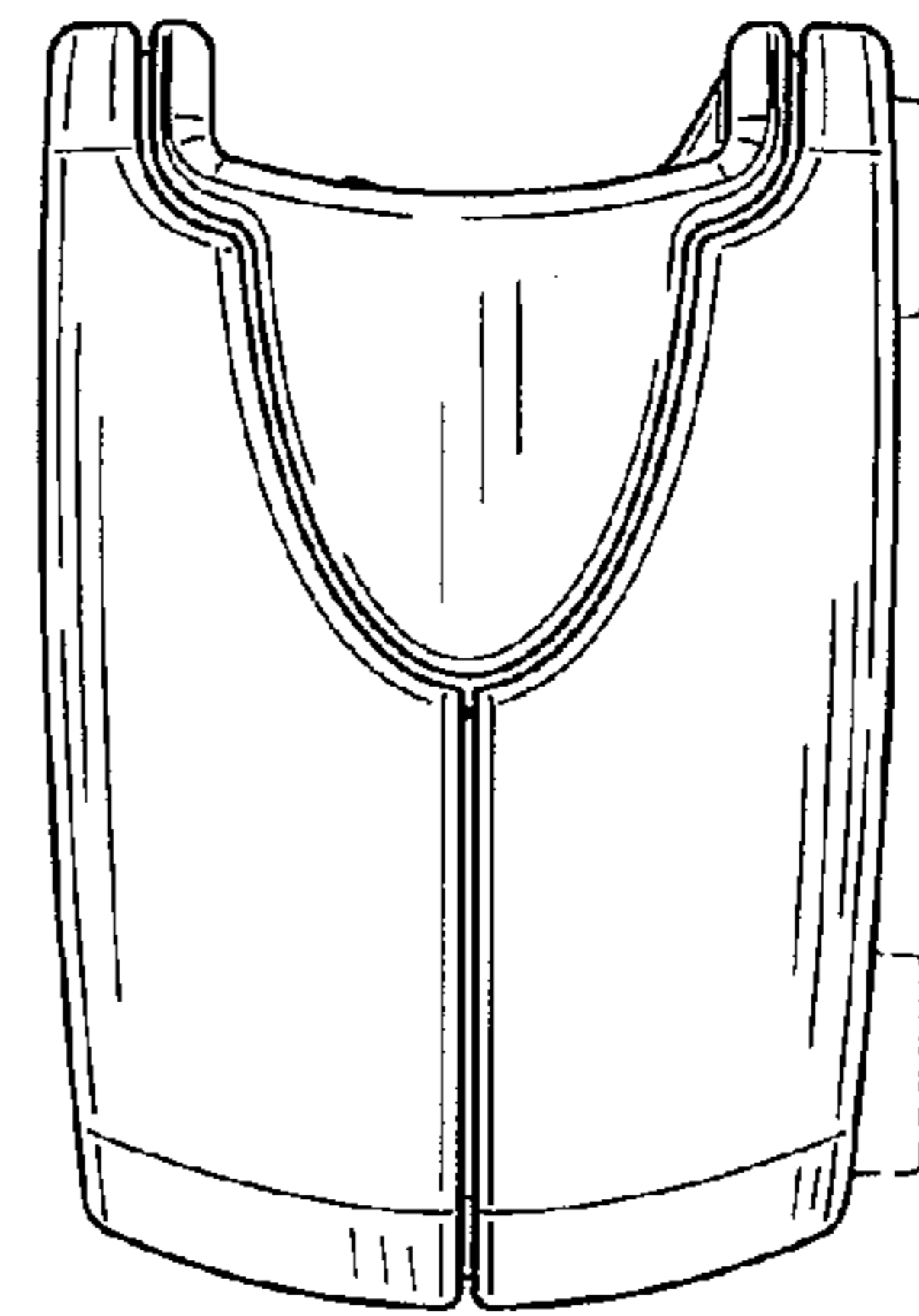


FIG. 5

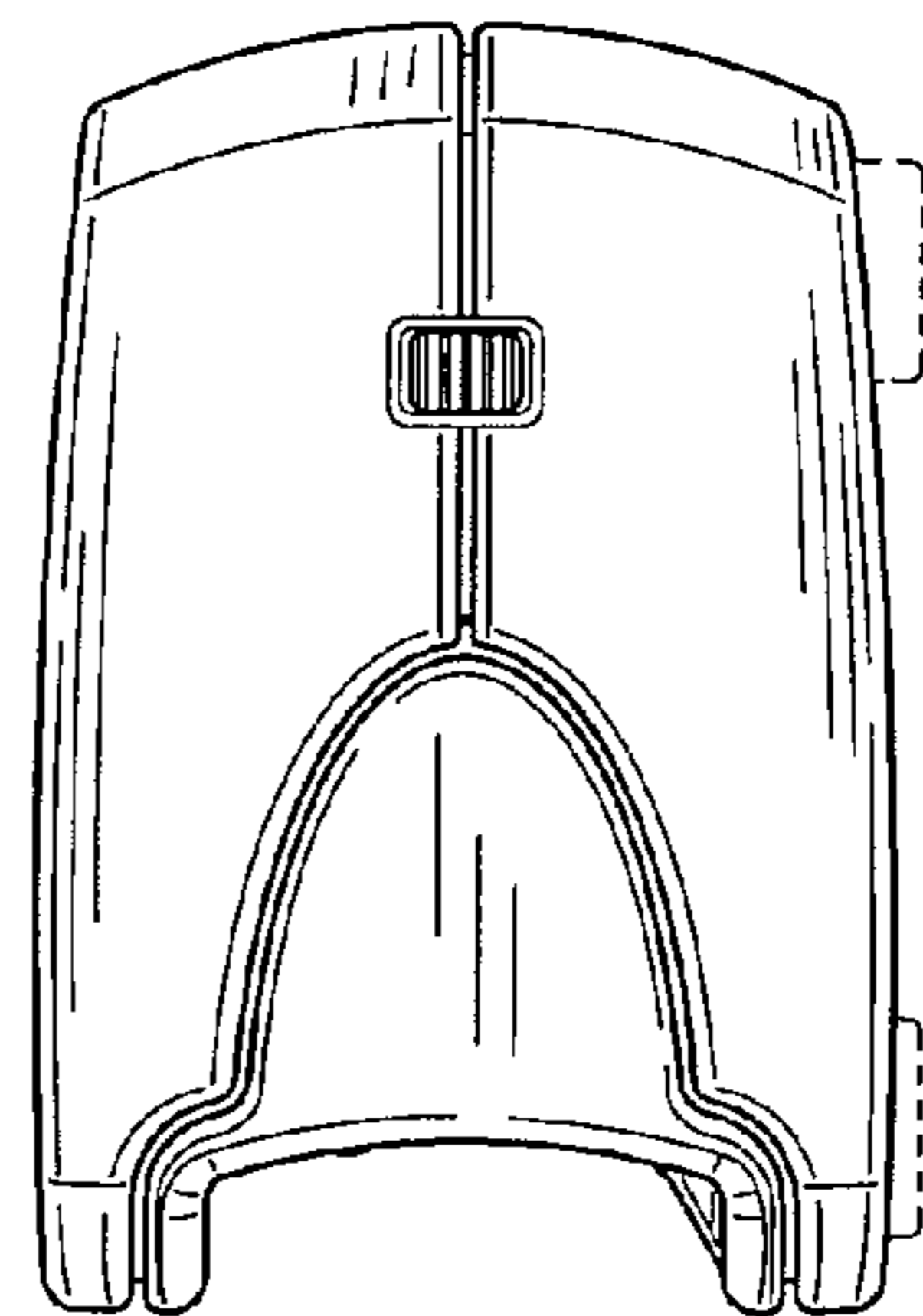


FIG. 4

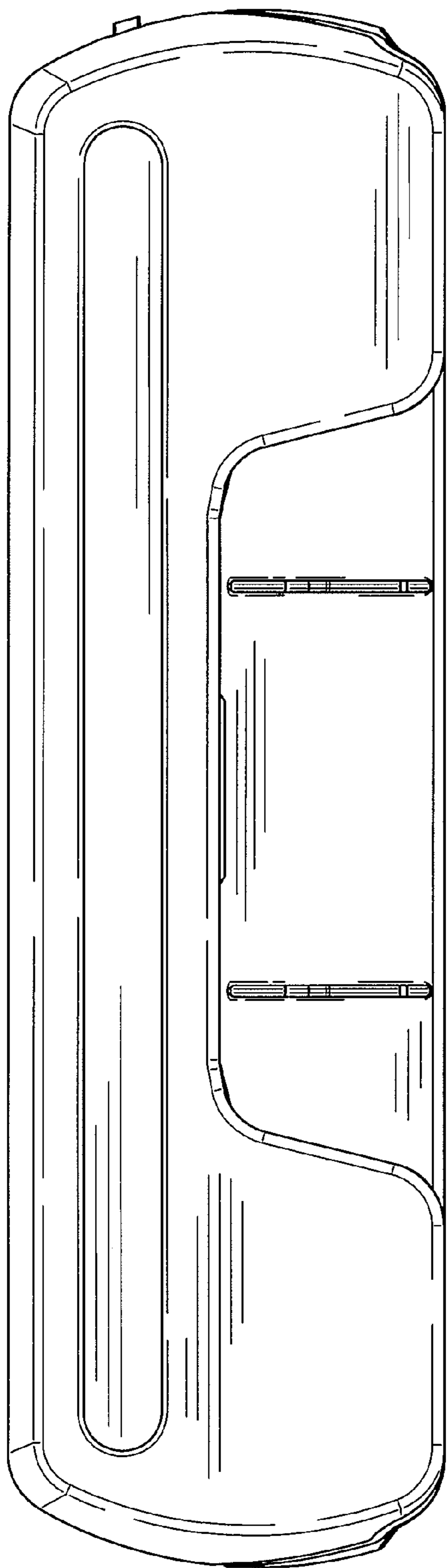


FIG. 6

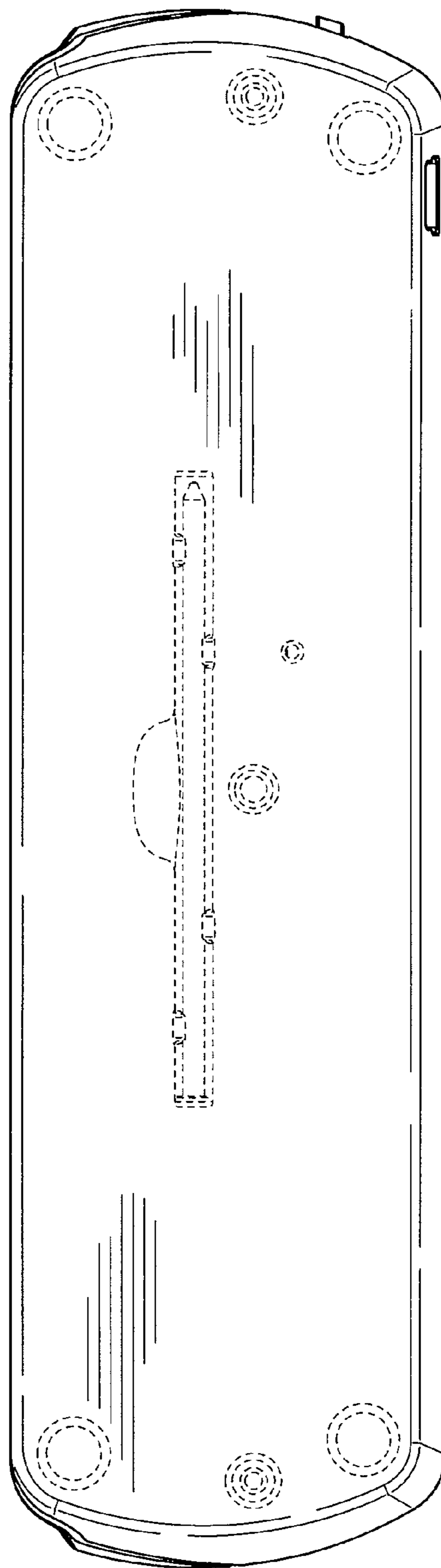


FIG. 7