



US00D584310S

(12) **United States Design Patent**
Kim et al.

(10) **Patent No.:** **US D584,310 S**
(45) **Date of Patent:** **** Jan. 6, 2009**

- (54) **LCD MONITOR**
- (75) Inventors: **Eui-Seok Kim**, Kyunggi-do (KR);
Yong-Joo Lee, Seoul (KR)
- (73) Assignee: **Samsung Electronics Co., Ltd.**,
Kyunggi-do (KR)
- (**) Term: **14 Years**
- (21) Appl. No.: **29/301,658**
- (22) Filed: **Mar. 12, 2008**
- (51) **LOC (9) Cl.** **14-02**
- (52) **U.S. Cl.** **D14/374**
- (58) **Field of Classification Search** D14/371-376,
D14/125-129, 336, 341, 132; 248/917-924,
248/121, 278.1; 341/12; 345/104, 156, 173,
345/174, 901-905; 348/180, 184, 325, 739,
348/837; 361/680-686; D18/12.3; 349/1,
349/2, 11, 58
See application file for complete search history.

- D540,277 S 4/2007 Kim et al.
- D541,763 S 5/2007 Kim
- D542,746 S 5/2007 Kim
- D542,747 S 5/2007 Kim et al.
- D544,849 S 6/2007 Yang et al.
- D545,312 S 6/2007 Kim
- D545,313 S 6/2007 Kim
- D545,314 S 6/2007 Kim
- D545,315 S 6/2007 Kim
- D545,316 S 6/2007 Kim
- D545,820 S 7/2007 Won et al.
- D546,331 S 7/2007 Kim
- D547,313 S 7/2007 Kim
- D548,708 S 8/2007 Park et al.
- D551,186 S 9/2007 Yang et al.
- D556,159 S 11/2007 Park et al.
- D556,160 S 11/2007 Lee et al.

(Continued)

OTHER PUBLICATIONS

U.S. Appl. No. 29/269,013, Applicant: Jun-Ho Yang, et al., filed Nov. 17, 2006 entitled LCD Television Set.

(Continued)

Primary Examiner—Freda S Nunn
(74) *Attorney, Agent, or Firm*—Flynn, Thiel, Boutell & Tanis, P.C.

(56) **References Cited**
U.S. PATENT DOCUMENTS

- D416,875 S * 11/1999 Chuo et al. D14/375
- 6,229,584 B1 * 5/2001 Chuo et al. 349/58
- 6,381,125 B1 * 4/2002 Mizoguchi et al. 361/682
- D494,941 S 8/2004 Kim
- 6,807,051 B2 * 10/2004 Takahashi 361/681
- D499,386 S 12/2004 Yang
- D512,424 S 12/2005 Kim
- D521,996 S 5/2006 Kim et al.
- D521,997 S 5/2006 Park et al.
- D522,509 S 6/2006 Park et al.
- D524,313 S 7/2006 Boo et al.
- D528,115 S 9/2006 Yoon
- D528,116 S 9/2006 Won et al.
- D529,910 S 10/2006 Ota
- D533,848 S 12/2006 Lee et al.
- D536,677 S 2/2007 Kim et al.
- D537,079 S 2/2007 Park
- D539,242 S 3/2007 Lee et al.
- D539,281 S 3/2007 Kim et al.

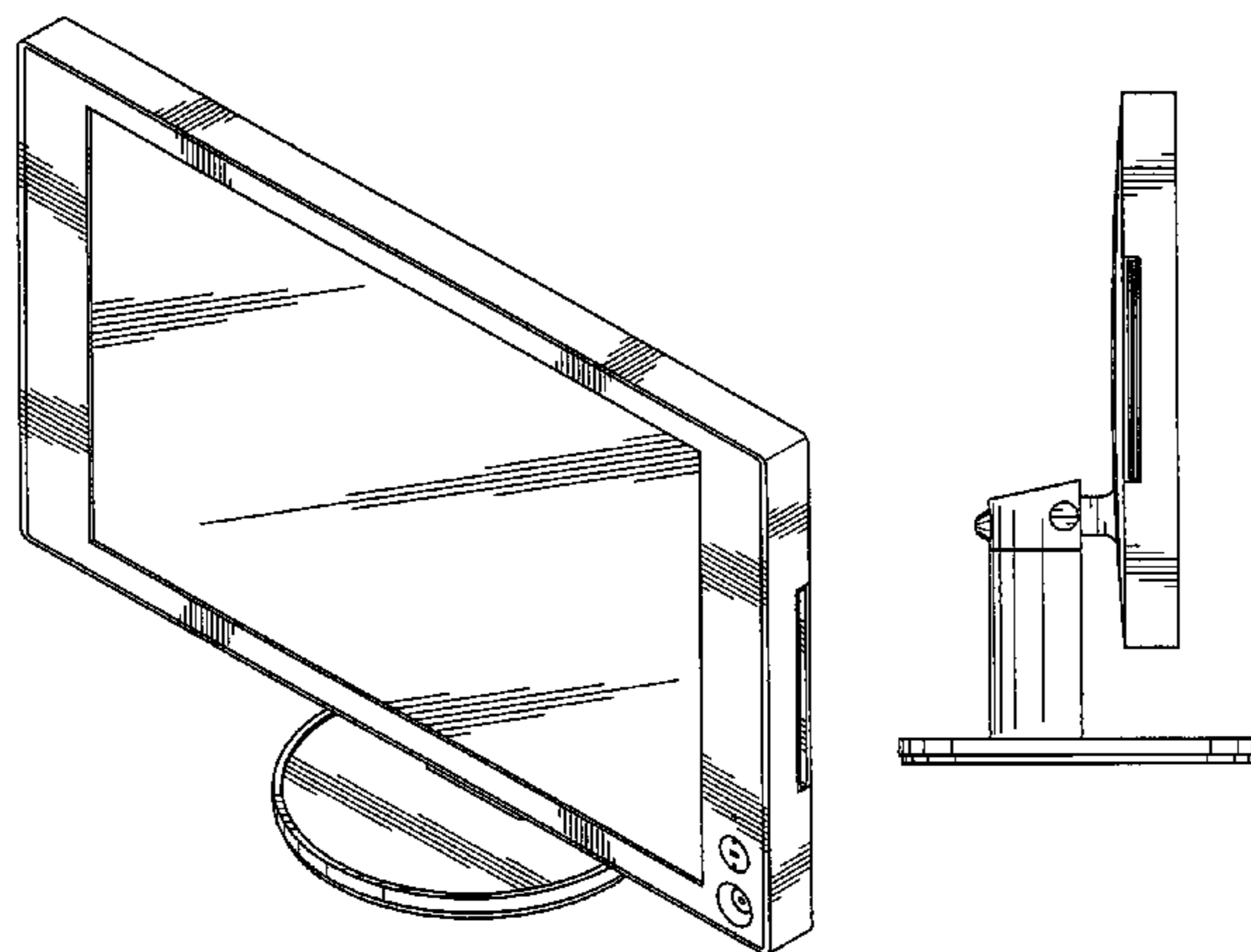
(57) **CLAIM**

The ornamental design for a LCD monitor, as shown and described.

DESCRIPTION

FIG. 1 is a top front perspective view of a LCD monitor showing our new design;
FIG. 2 is a front elevational view thereof;
FIG. 3 is a rear elevational view thereof;
FIG. 4 is a left side elevational view, the right side elevational view is being symmetrical thereof;
FIG. 5 is a top plan view thereof; and,
FIG. 6 is a bottom plan view thereof.

1 Claim, 4 Drawing Sheets



U.S. PATENT DOCUMENTS

D556,709	S	12/2007	Kim et al.	
D556,755	S	12/2007	Lee et al.	
D556,756	S	12/2007	Kataoka et al.	
D556,757	S	12/2007	Kim et al.	
D558,201	S	12/2007	Park et al.	
D558,696	S	1/2008	Park et al.	
D561,130	S	2/2008	Won et al.	
D565,521	S	4/2008	Yang et al.	
D567,198	S	4/2008	Yang et al.	
D567,199	S	4/2008	Kim et al.	
2002/0020792	A1*	2/2002	Lee	248/278.1
2005/0041379	A1*	2/2005	Jang	361/681
2006/0076463	A1*	4/2006	Drew	248/121

OTHER PUBLICATIONS

U.S. Appl. No. 29/269,899, Applicant: Eui-Seok Kim, et al., filed Dec. 11, 2006 entitled LCD Monitor.

U.S. Appl. No. 29/271,976, Applicant: Kyoung-Hoon Kim, et al., filed Jan. 30, 2007 entitled LCD Television Set.

U.S. Appl. No. 29/271,977, Applicant: Jae-Beom Park, filed Jan. 30, 2007 entitled LCD Monitor.

U.S. Appl. No. 29/286,893, Applicant: Seung-Ho Lee, et al., filed May 22, 2007 entitled LCD Television Set.

U.S. Appl. No. 29/286,895, Applicant: Seung-Ho Lee, et al., filed May 22, 2007 entitled LCD Television Set.

U.S. Appl. No. 29/293,973, Applicant: Eui-Seok Kim, et al., filed Dec. 19, 2007 entitled LCD Monitor.

U.S. Appl. No. 29/263,580, Applicant: Tae-Yeon Won, et al., filed Jul. 26, 2006 entitled LCD Monitor.

U.S. Appl. No. 29/293,974, Applicant: Eui-Seok Kim, et al., filed Dec. 19, 2007 entitled LCD Monitor.

U.S. Appl. No. 29/301,676, Applicant: Eui-Seok Kim, et al., filed Mar. 12, 2008 entitled LCD Monitor.

* cited by examiner

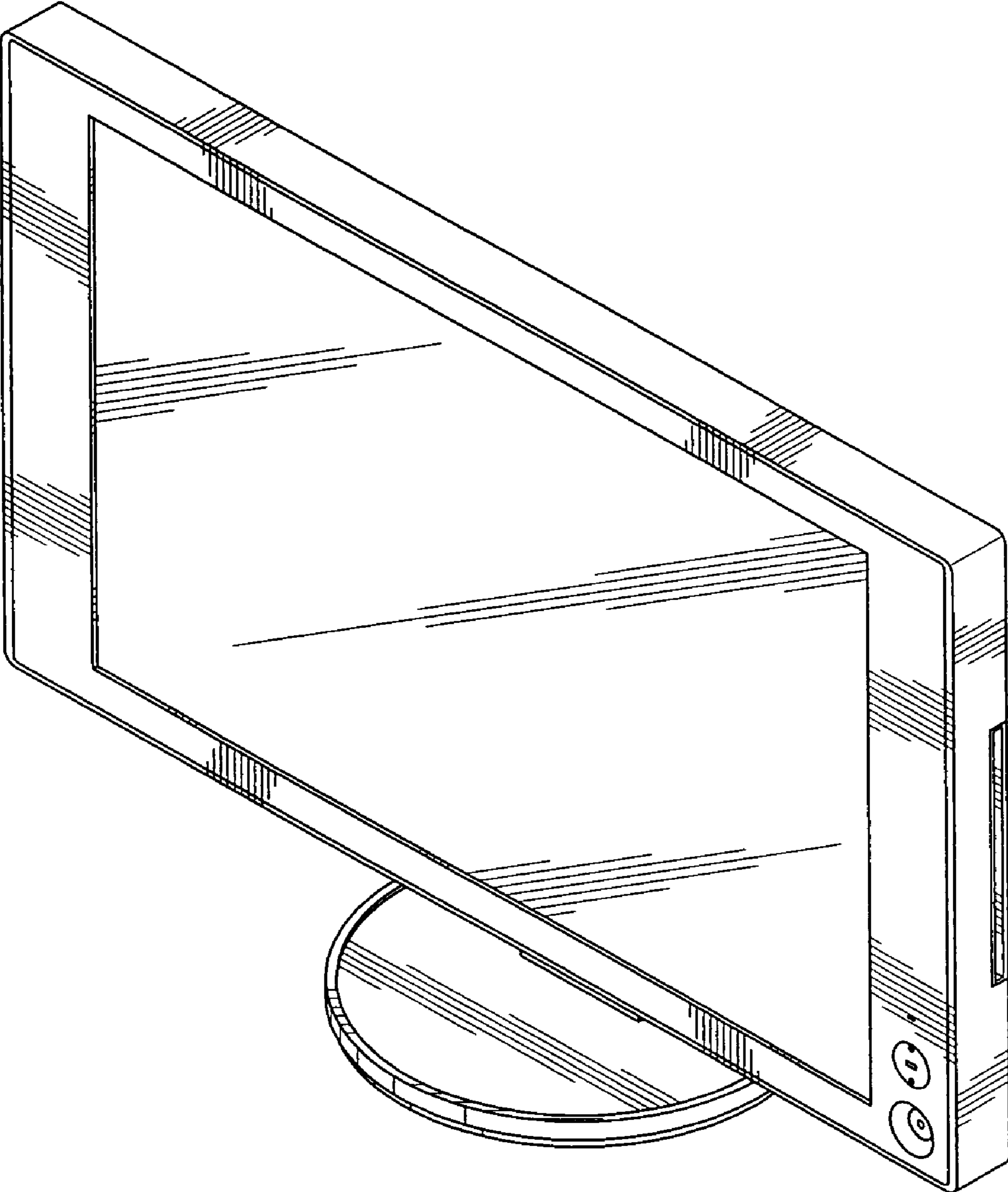


FIG. 1

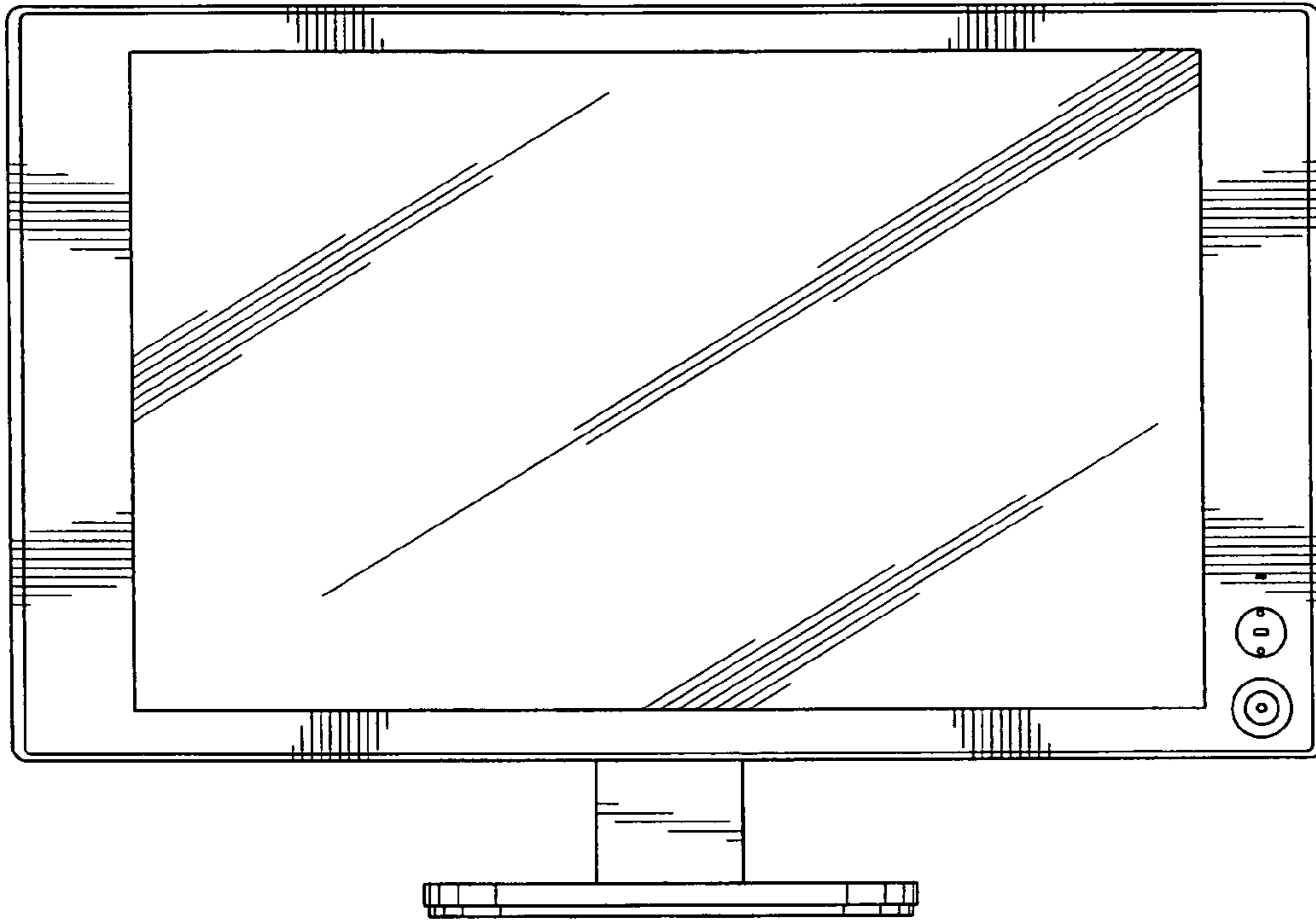


FIG. 2

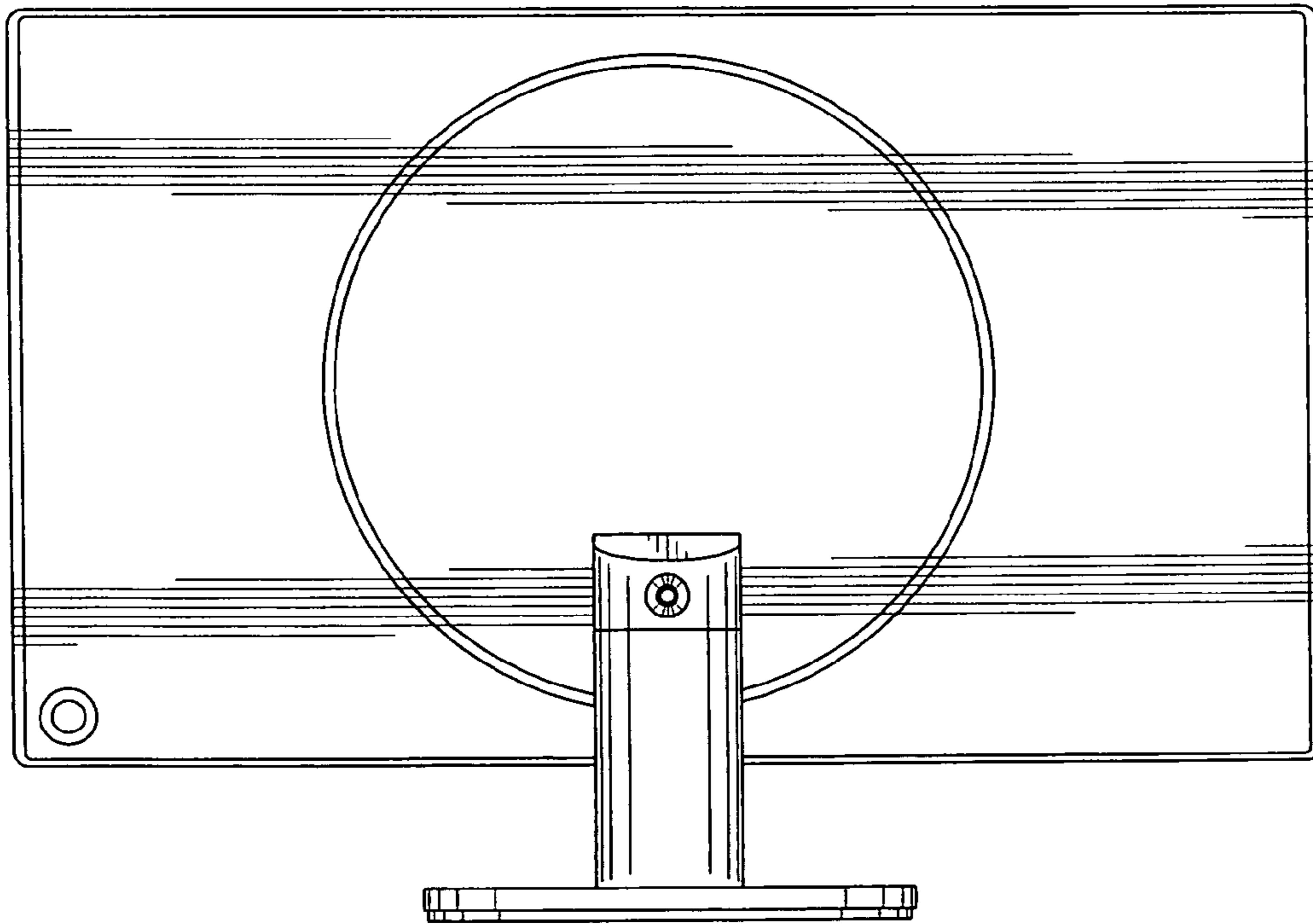


FIG. 3

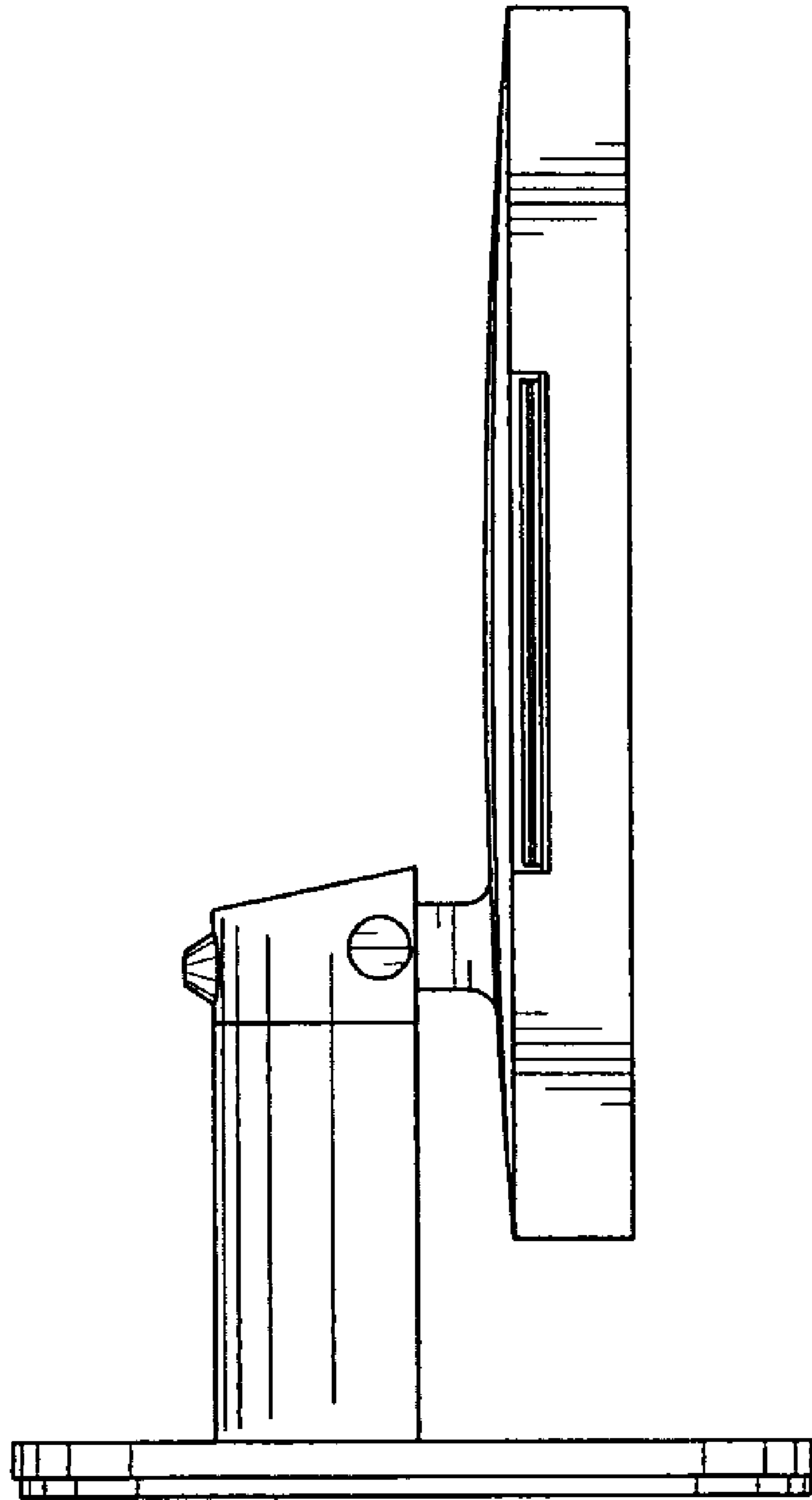


FIG. 4

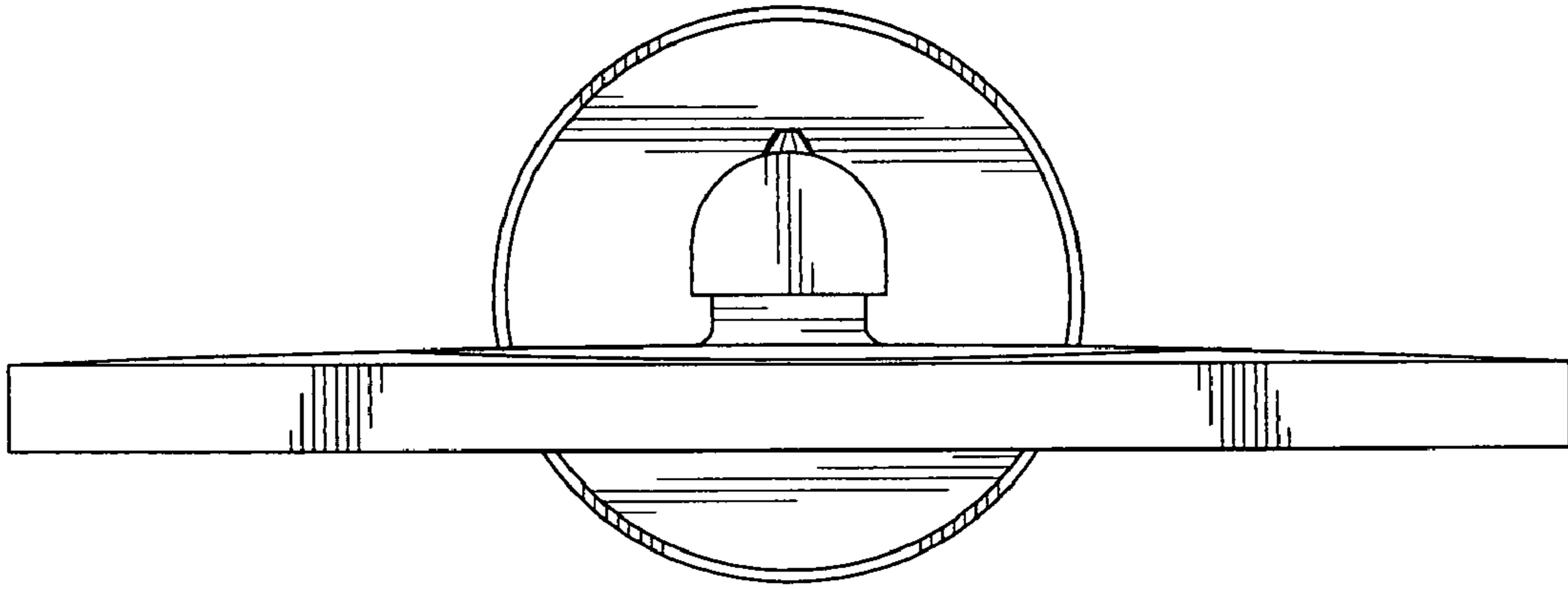


FIG. 5

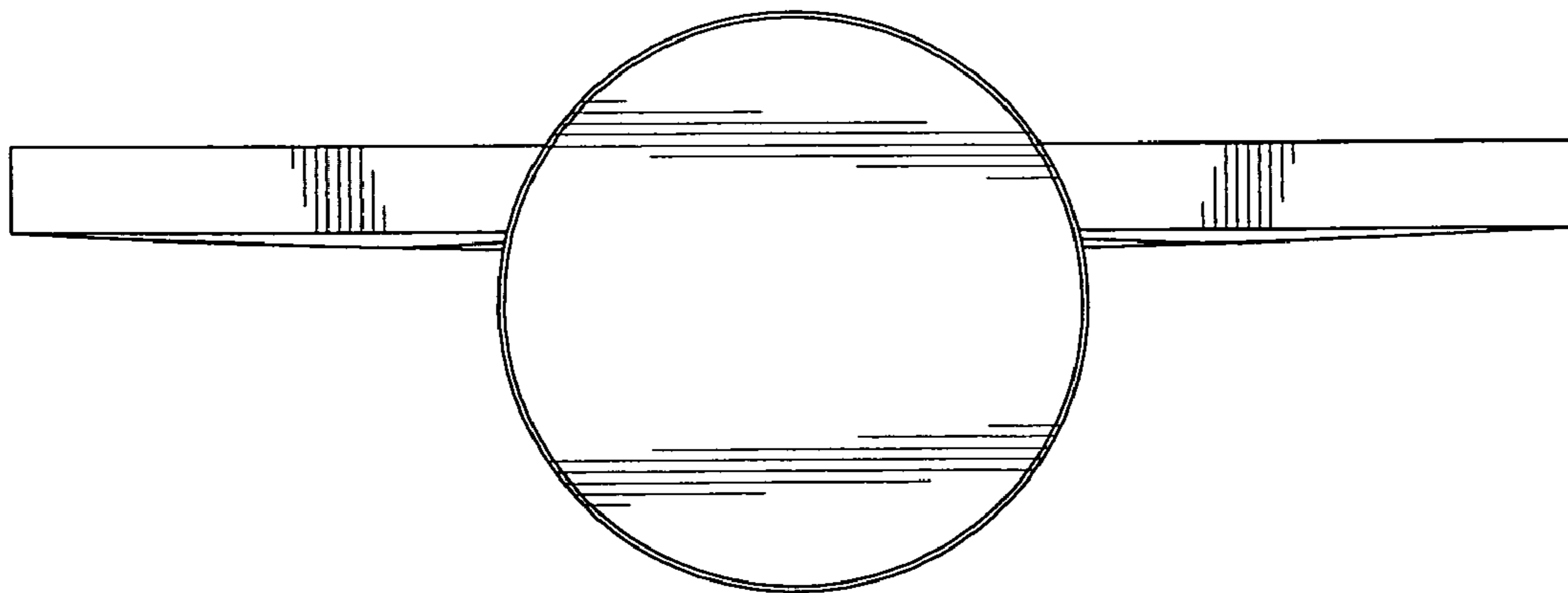


FIG. 6