



US00D584309S

(12) **United States Design Patent**  
**Kim et al.**

(10) **Patent No.:** **US D584,309 S**  
(45) **Date of Patent:** **\*\* Jan. 6, 2009**

(54) **LCD MONITOR**

(75) Inventors: **Eui-Seok Kim**, Seoul (KR); **Jae-Beom Park**, Seoul (KR)

(73) Assignee: **Samsung Electronics Co., Ltd.**,  
Kyunggi-do (KR)

(\*\*) Term: **14 Years**

(21) Appl. No.: **29/293,973**

(22) Filed: **Dec. 19, 2007**

(51) **LOC (9) Cl.** ..... **14-02**

(52) **U.S. Cl.** ..... **D14/374**

(58) **Field of Classification Search** ..... D14/371–376,  
D14/125–129, 336, 341, 132; 248/917–924,  
248/121, 278.1; 341/12; 345/104, 156, 173,  
345/174, 901–905; 348/180, 184, 325, 739,  
348/837; 361/680–686; D18/12.3; 349/1,  
349/2, 11, 58

See application file for complete search history.

(56) **References Cited**

**U.S. PATENT DOCUMENTS**

D416,875 S *	11/1999	Chuo et al.	.....	D14/375
6,229,584 B1 *	5/2001	Chuo et al.	.....	349/58
6,381,125 B1 *	4/2002	Mizoguchi et al.	.....	361/682
D494,941 S	8/2004	Kim		
6,807,051 B2 *	10/2004	Takahashi	.....	361/681
D499,386 S	12/2004	Yang		
D512,424 S	12/2005	Kim		
D521,996 S	5/2006	Kim et al.		
D521,997 S	5/2006	Park et al.		
D522,509 S	6/2006	Park et al.		
D524,313 S	7/2006	Boo et al.		
D528,115 S	9/2006	Yoon		
D528,116 S	9/2006	Won et al.		
D529,910 S	10/2006	Ota		
D533,848 S	12/2006	Lee et al.		
D536,677 S	2/2007	Kim et al.		
D537,079 S	2/2007	Park		
D539,242 S	3/2007	Lee et al.		
D539,281 S	3/2007	Kim et al.		

D540,277 S	4/2007	Kim et al.
D542,747 S	5/2007	Kim et al.
D544,849 S	6/2007	Yang et al.
D545,312 S	6/2007	Kim
D545,313 S	6/2007	Kim
D545,314 S	6/2007	Kim
D545,315 S	6/2007	Kim
D545,316 S	6/2007	Kim
D545,820 S	7/2007	Won et al.
D546,331 S	7/2007	Kim
D547,313 S	7/2007	Kim
D551,186 S	9/2007	Yang et al.

(Continued)

**OTHER PUBLICATIONS**

U.S. Appl. No. 29/263,580, Applicant: Tae-Yeon Won, et al., filed Jul. 26, 2006 entitled LCD Monitor.

U.S. Appl. No. 29/269,009, Applicant: Jun-Ho Yang, et al., filed Nov. 17, 2006 entitled PDP Television Receiver.

U.S. Appl. No. 29/269,013, Applicant: Jun-Ho Yang, et al., filed Nov. 17, 2006 entitled LCD Television Set.

(Continued)

*Primary Examiner*—Freda S Nunn

(74) *Attorney, Agent, or Firm*—Flynn, Thiel, Boutell & Tanis, P.C.

(57) **CLAIM**

The ornamental design for a LCD monitor, as shown and described.

**DESCRIPTION**

FIG. 1 is a top front perspective view of a LCD monitor showing our new design;

FIG. 2 is a front elevational view thereof;

FIG. 3 is a rear elevational view thereof;

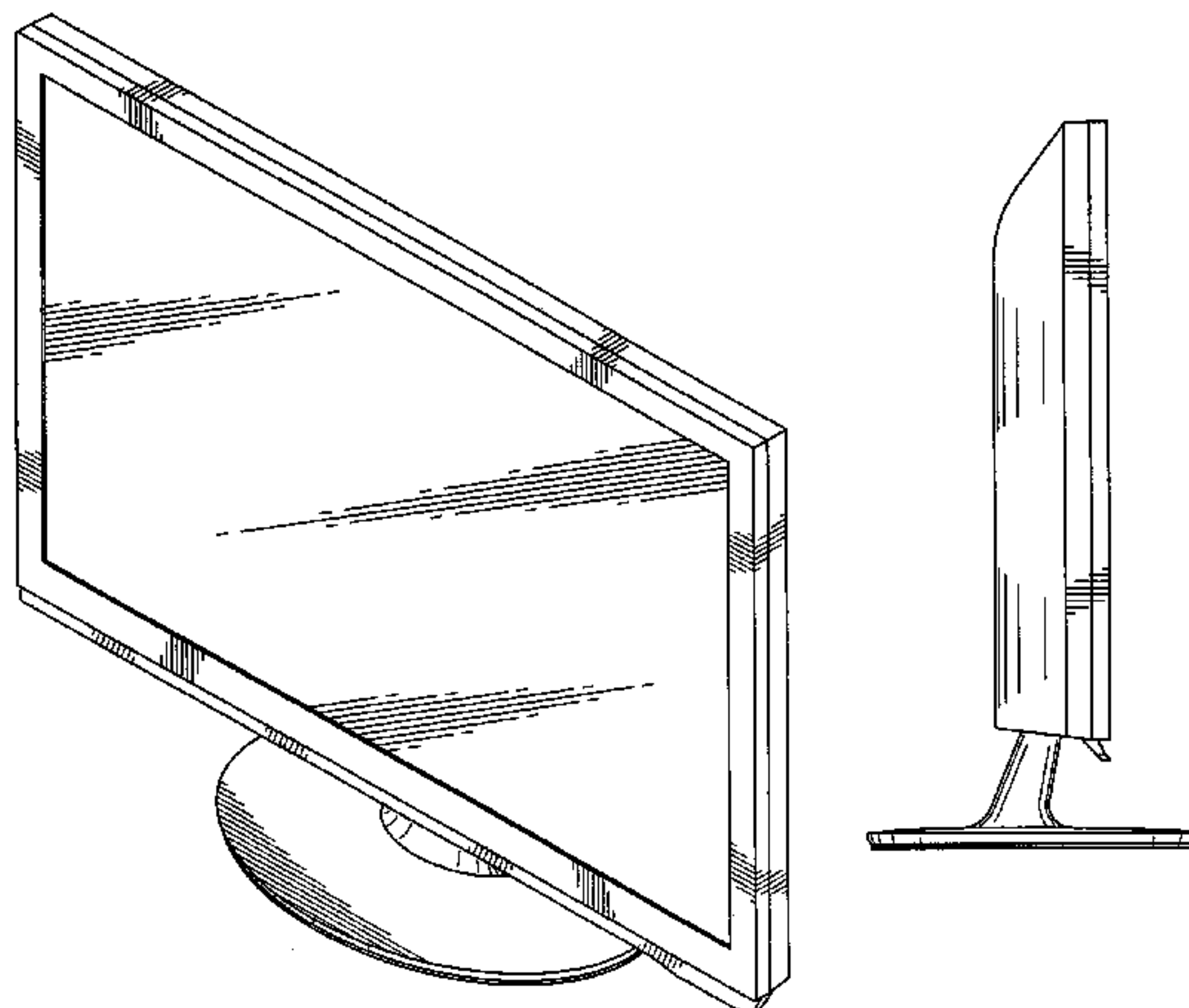
FIG. 4 is a left side elevational view thereof;

FIG. 5 is a right side elevational view thereof;

FIG. 6 is a top plan view thereof; and,

FIG. 7 is a bottom plan view thereof.

**1 Claim, 5 Drawing Sheets**



# US D584,309 S

Page 2

---

## U.S. PATENT DOCUMENTS

D556,159 S 11/2007 Park et al.  
D556,160 S 11/2007 Lee et al.  
D556,709 S 12/2007 Kim et al.  
D556,755 S 12/2007 Lee et al.  
D556,756 S 12/2007 Kataoka et al.  
D556,757 S 12/2007 Kim et al.  
D558,201 S 12/2007 Park et al.  
D558,696 S 1/2008 Park et al.  
2002/0020792 A1\* 2/2002 Lee ..... 248/278.1  
2005/0041379 A1\* 2/2005 Jang ..... 361/681  
2006/0076463 A1\* 4/2006 Drew ..... 248/121

## OTHER PUBLICATIONS

U.S. Appl. No. 29/269,015, Applicant: Jun-Ho Yang, et al., filed Nov. 17, 2006 entitled PDP Television Receiver.

U.S. Appl. No. 29/269,899, Applicant: Eui-Seok Kim, et al., filed Dec. 11, 2006 entitled LCD Monitor.

U.S. Appl. No. 29/271,975, Applicant: Kyoung-Hoon Kim, et al., filed Jan. 30, 2007 entitled LCD Television Set.

U.S. Appl. No. 29/271,976, Applicant: Kyoung-Hoon Kim, et al., filed Jan. 30, 2007 entitled LCD Television Set.

U.S. Appl. No. 29/271,977, Applicant: Jae-Beom Park, filed Jan. 30, 2007 entitled LCD Monitor.

U.S. Appl. No. 29/286,893, Applicant: Seung-Ho Lee, et al., filed May 22, 2007 entitled LCD Television Set.

U.S. Appl. No. 29/286,895, Applicant: Seung-Ho Lee, et al., filed May 22, 2007 entitled LCD Television Set.

U.S. Appl. No. 29/293,974, Applicant: Eui-Seok Kim, et al., filed Dec. 19, 2007 entitled LCD Monitor.

\* cited by examiner

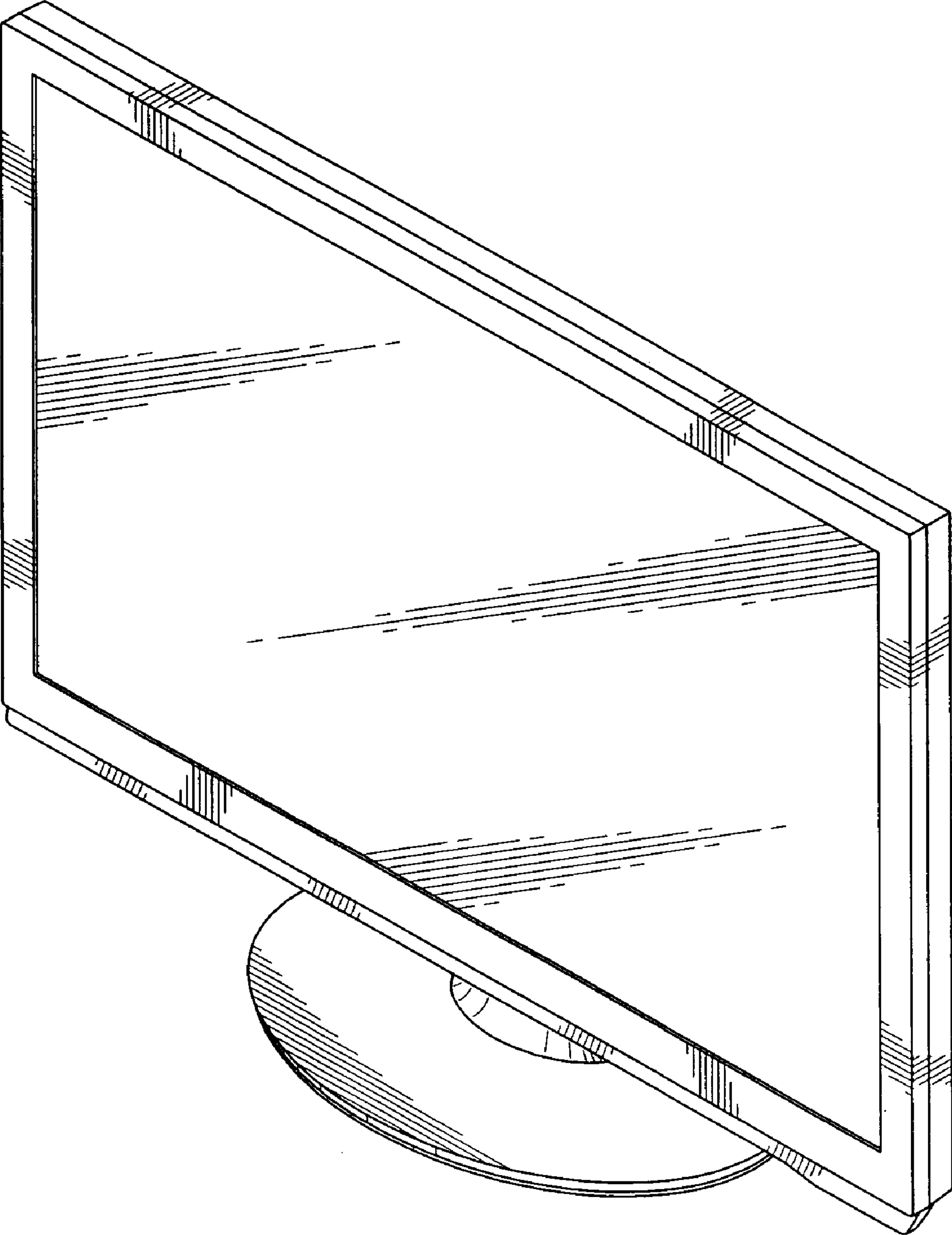


FIG. 1

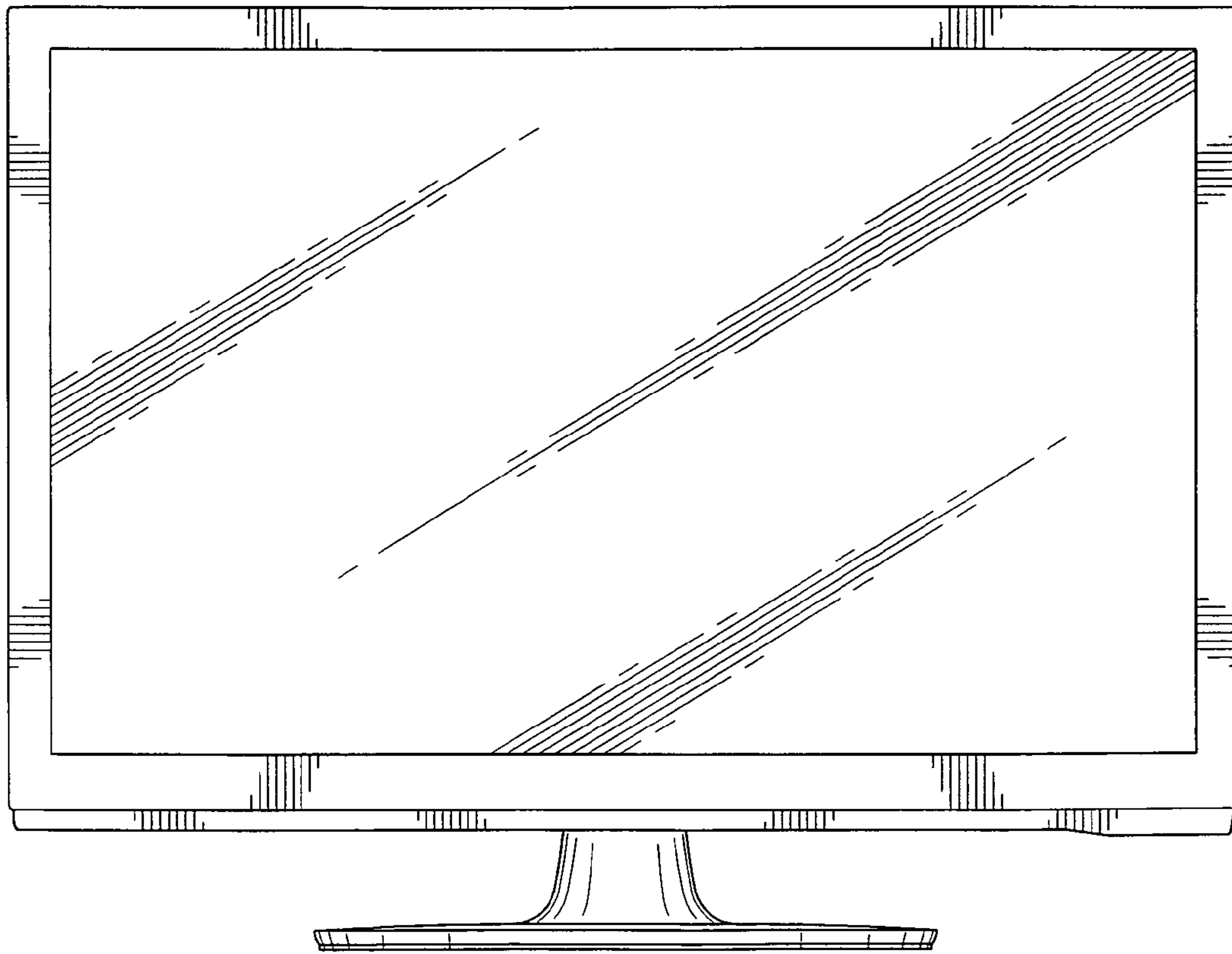


FIG. 2

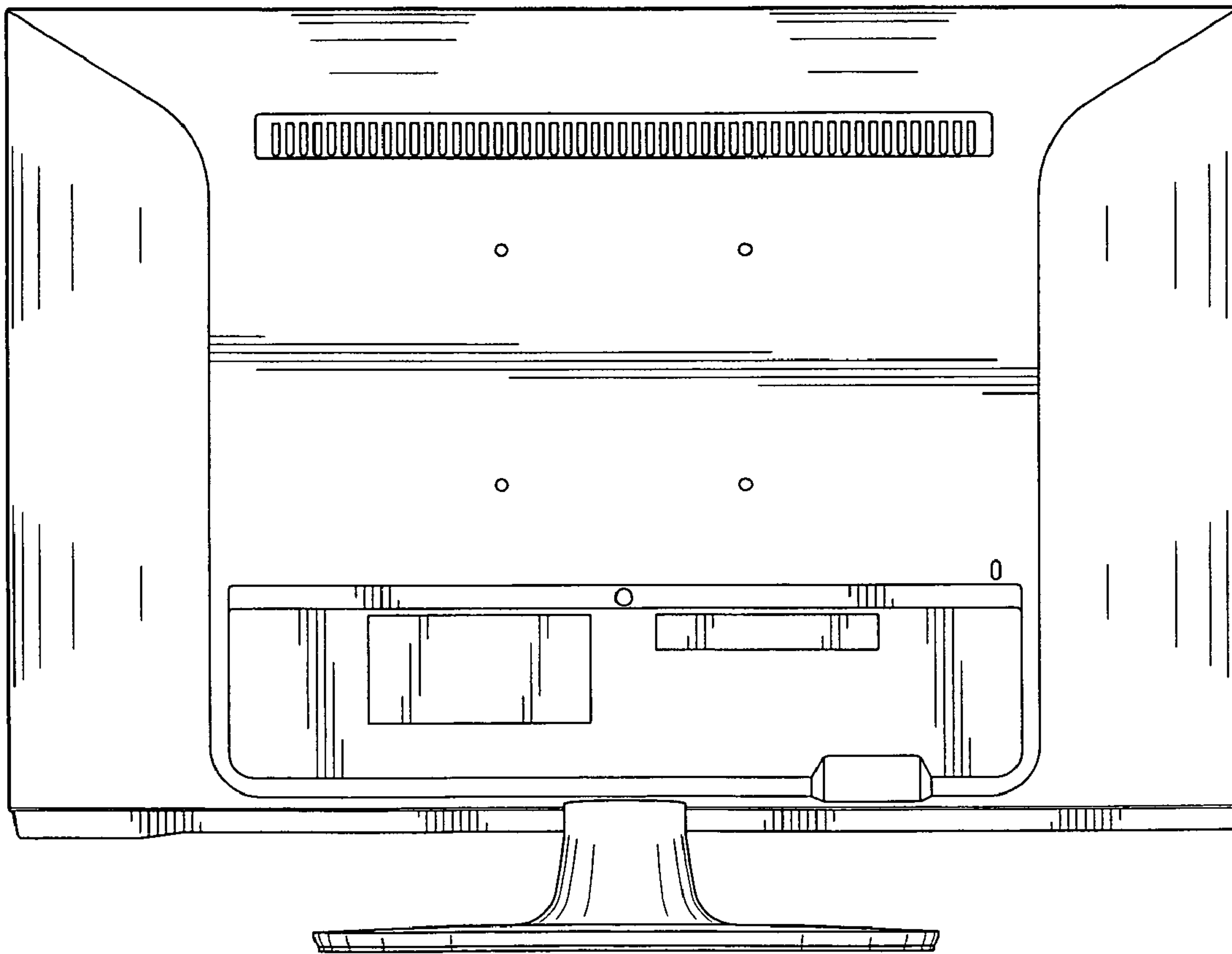


FIG. 3

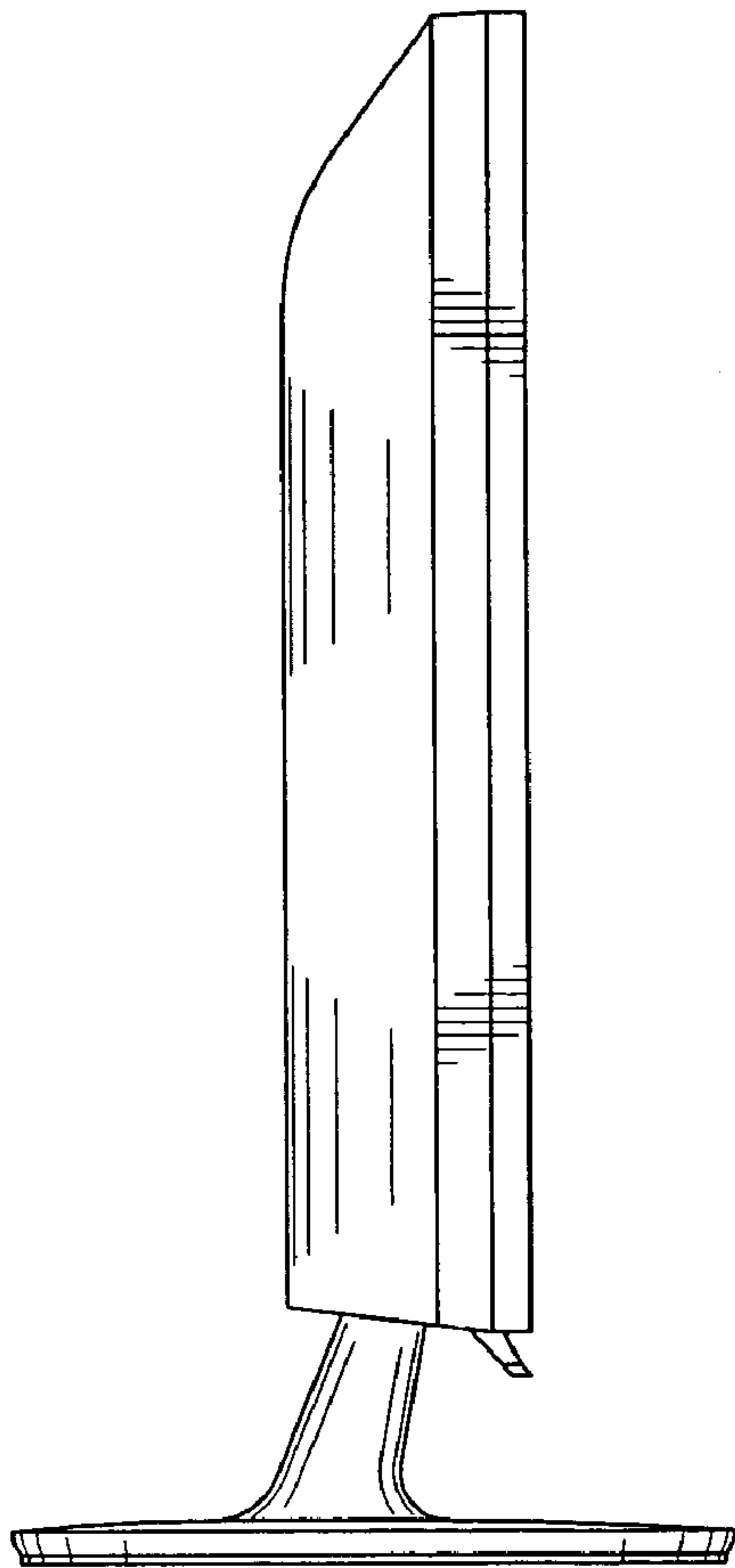


FIG. 4

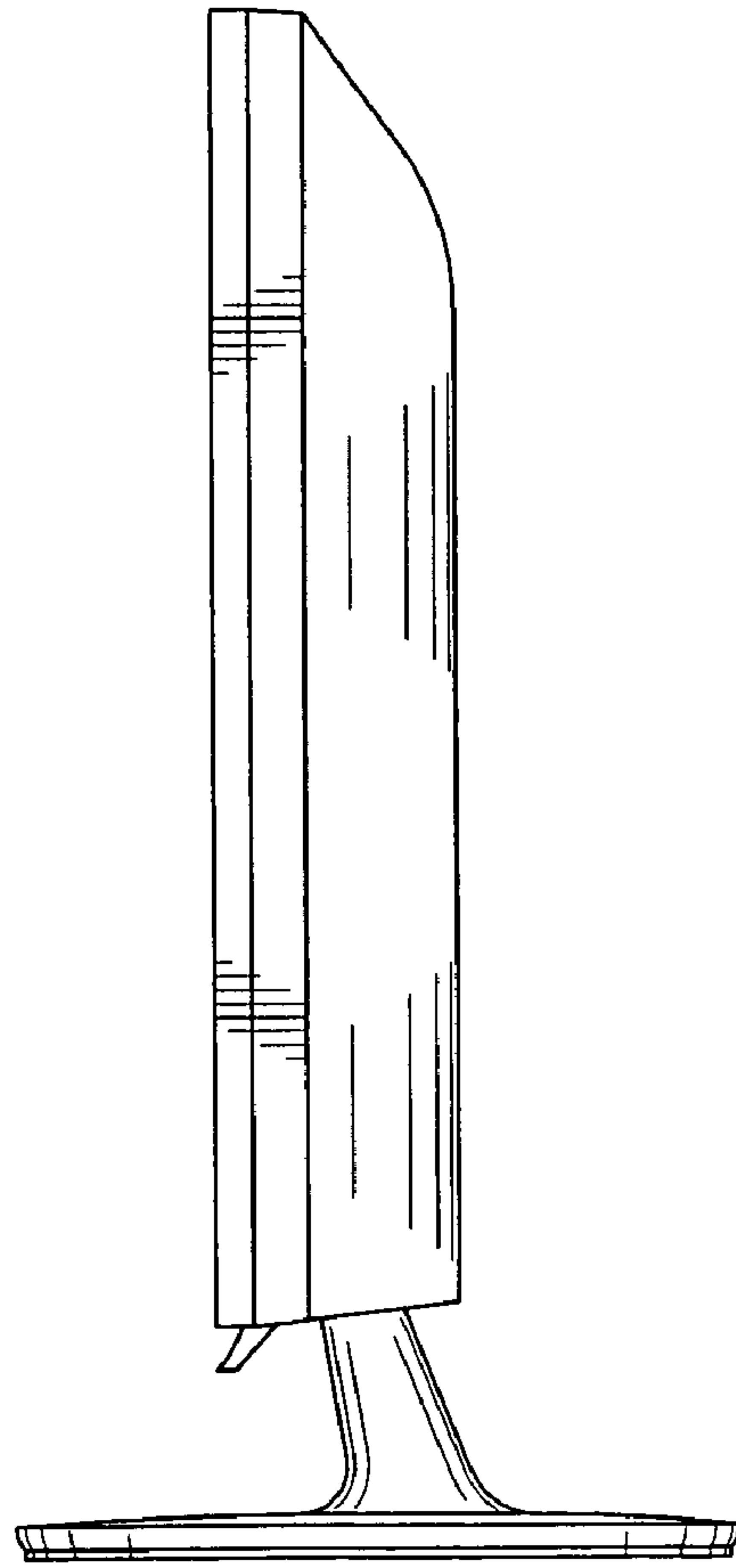


FIG. 5



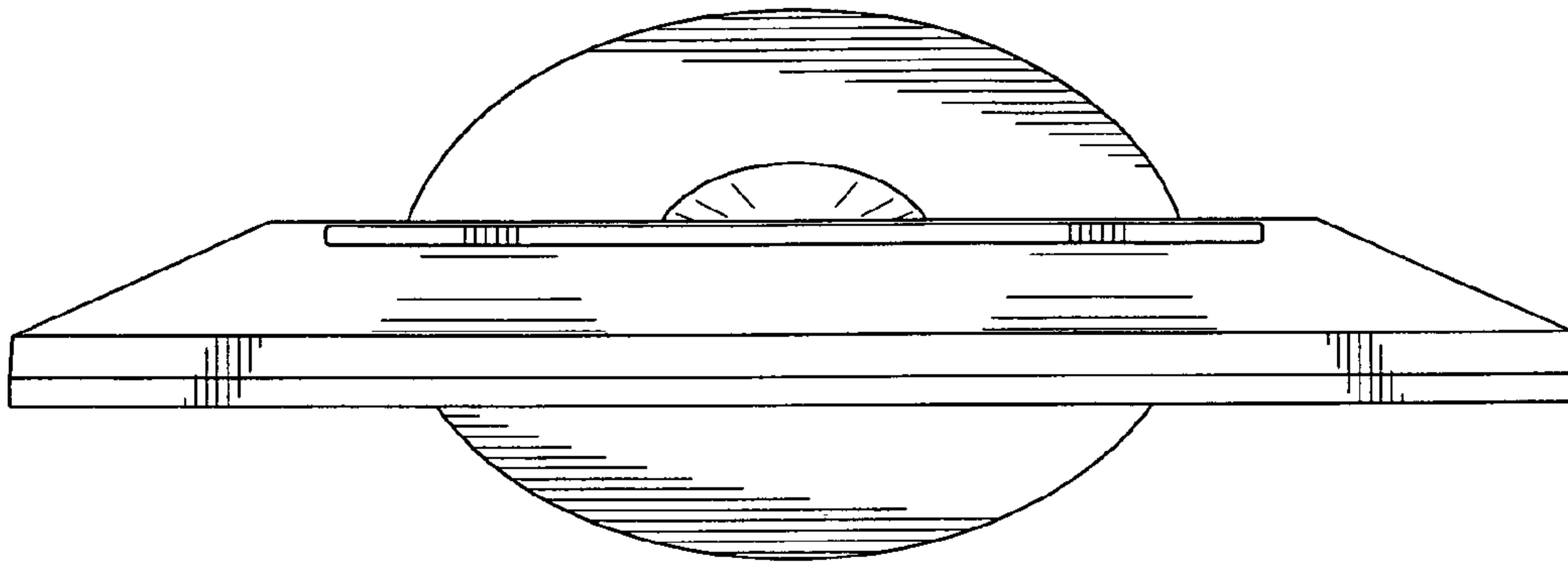


FIG. 6

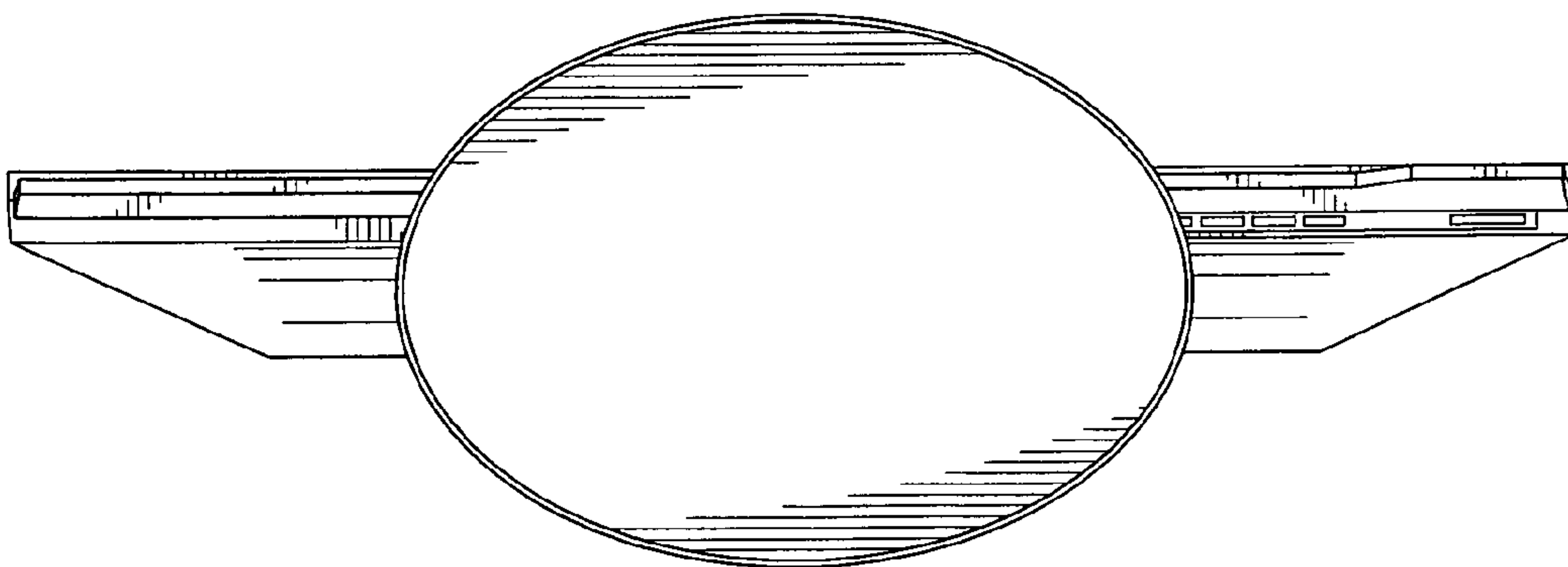


FIG. 7