



US00D584307S

(12) **United States Design Patent**  
**Maiers et al.**

(10) **Patent No.:** **US D584,307 S**  
(45) **Date of Patent:** **\*\* Jan. 6, 2009**

(54) **ILLUMINATED REGION OF AN EXTERNAL  
HARD DRIVE HOUSING**

D515,067 S \* 2/2006 Yoshitake et al. .... D14/168  
D526,662 S \* 8/2006 Choi ..... D14/496  
D537,437 S \* 2/2007 Yoon ..... D14/215

(75) Inventors: **Michael A. Maiers**, Campbell, CA (US);  
**Jeffrey Schmid**, Lafayette, CO (US);  
**Howard Nuk**, San Jose, CA (US)

**OTHER PUBLICATIONS**

Seagate Technology—External Storage Solutions [online],  
[retrieved on Jun. 23, 2008]. Retrieved from the Internet <URL:  
<http://www.seagate.com/www/en-us/products/external/>>.\*

(73) Assignee: **Seagate Technology**, Scotts Valley, CA  
(US)

\* cited by examiner

(\*\*) Term: **14 Years**

*Primary Examiner*—Robin V. Webster  
*Assistant Examiner*—Karen E Kearney

(21) Appl. No.: **29/281,901**

(74) *Attorney, Agent, or Firm*—Banner & Witcoff, Ltd.

(22) Filed: **Jul. 5, 2007**

(57) **CLAIM**

**Related U.S. Application Data**

The ornamental design for an illuminated region of an external hard drive housing, as shown and described.

(63) Continuation-in-part of application No. 29/275,805,  
filed on Jan. 7, 2007.

**DESCRIPTION**

(51) **LOC (9) Cl.** ..... **14-02**

FIG. 1 is a perspective view of an illuminated region of an external housing showing our new design;

(52) **U.S. Cl.** ..... **D14/356**

FIG. 2 is a front elevational view thereof;

(58) **Field of Classification Search** ..... D14/351–370,

FIG. 3 is a rear elevational view thereof;

D14/301, 313, 348–349, 432, 435–436, 496,

FIG. 4 is a left side elevational view thereof;

D14/137, 155, 167–168, 240, 242, 299; D13/149,

FIG. 5 is a right side elevational view thereof;

D13/184; D3/201, 273; 711/100, 115; 361/685;

FIG. 6 is a top plan view thereof; and,

369/272.1; 360/132–133, 135

FIG. 7 is a bottom plan view thereof.

See application file for complete search history.

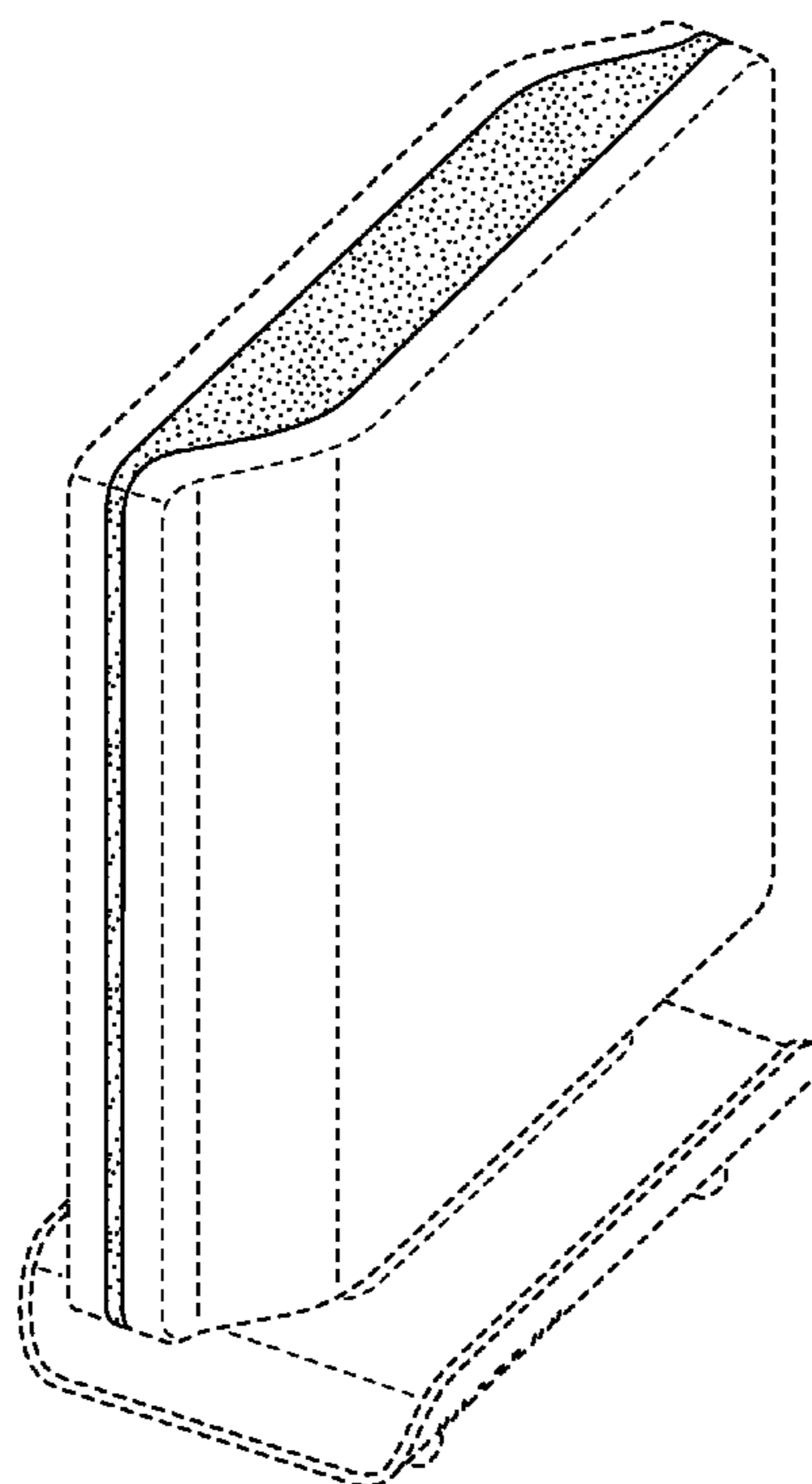
The broken line showing of the remainder of the electronic housing and the stand, is for illustrative purposes only and forms no part of the claimed design.

(56) **References Cited**

**U.S. PATENT DOCUMENTS**

D464,341 S \* 10/2002 Tanaka ..... D14/242  
D491,166 S \* 6/2004 Hakoda ..... D14/214  
D514,563 S \* 2/2006 Kuramashi et al. .... D14/358

**1 Claim, 5 Drawing Sheets**



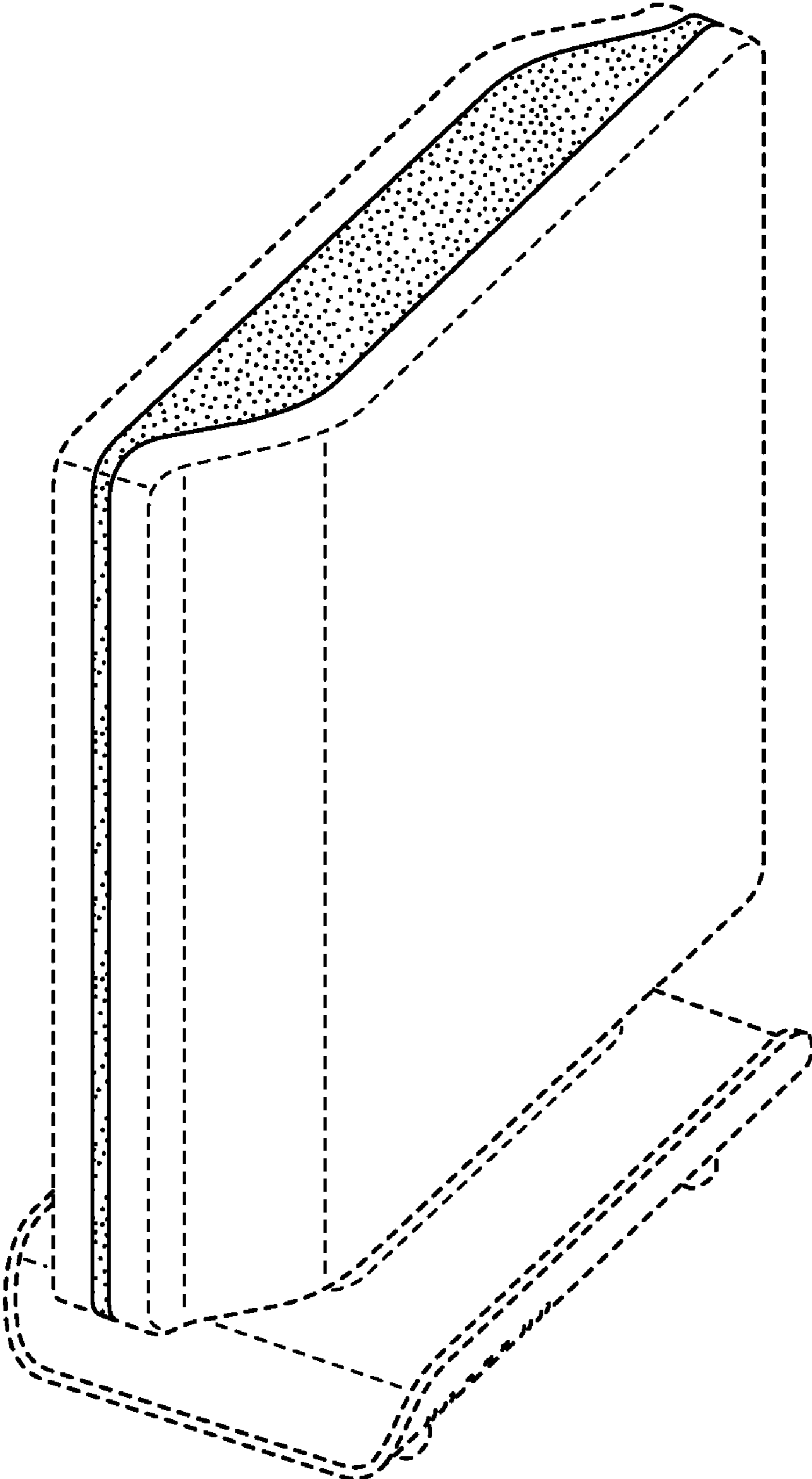


FIG. 1

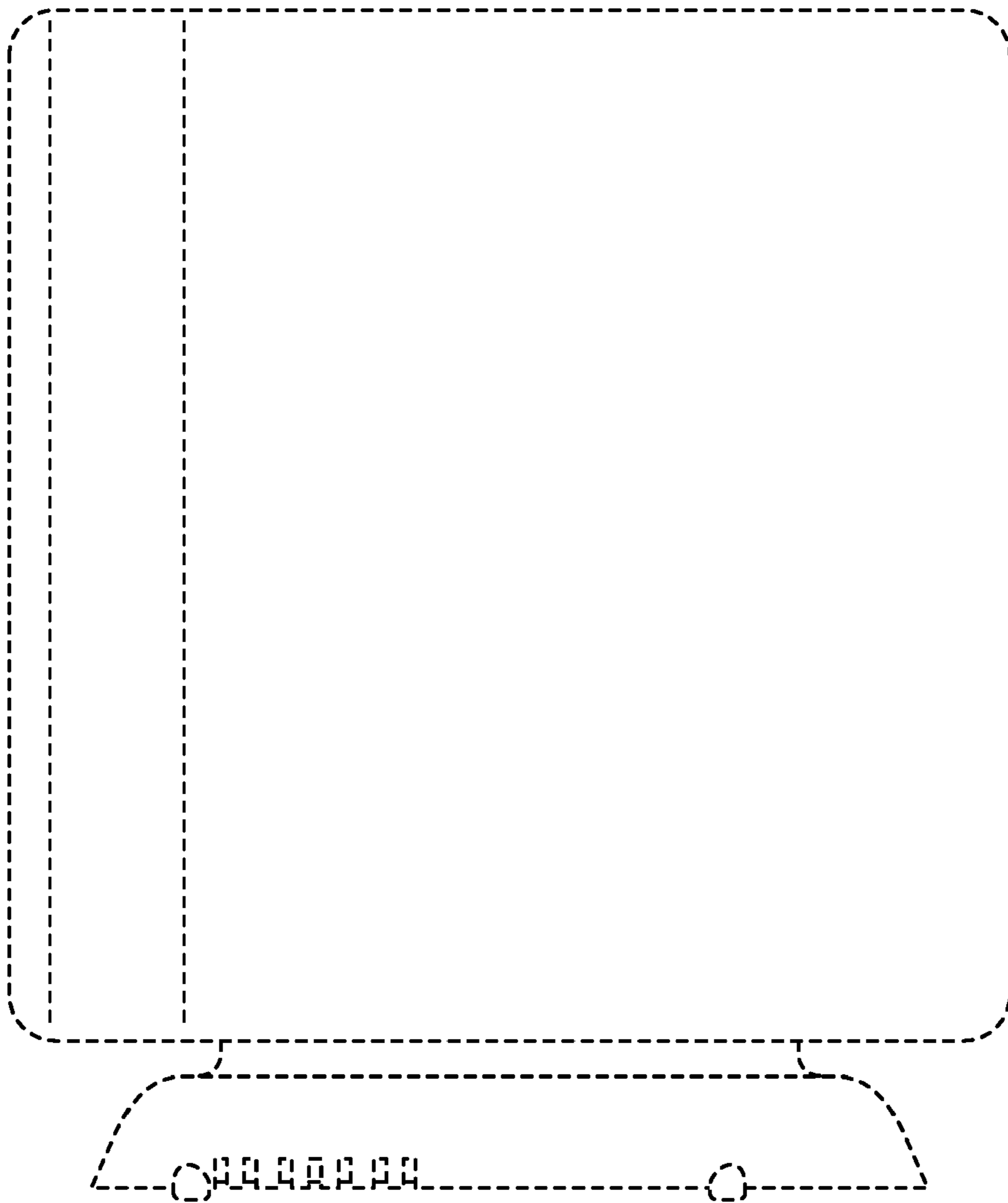


FIG. 2

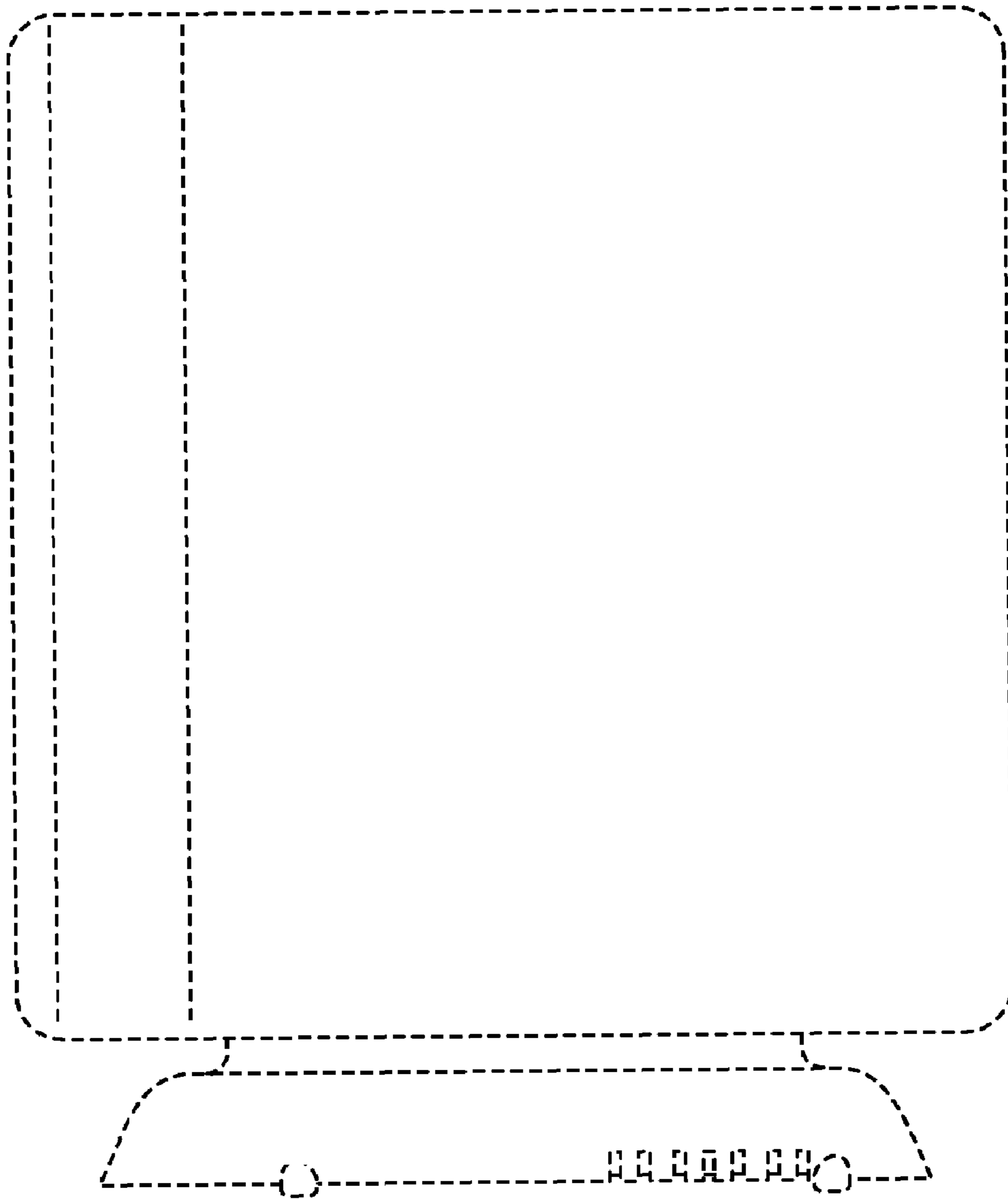


FIG. 3

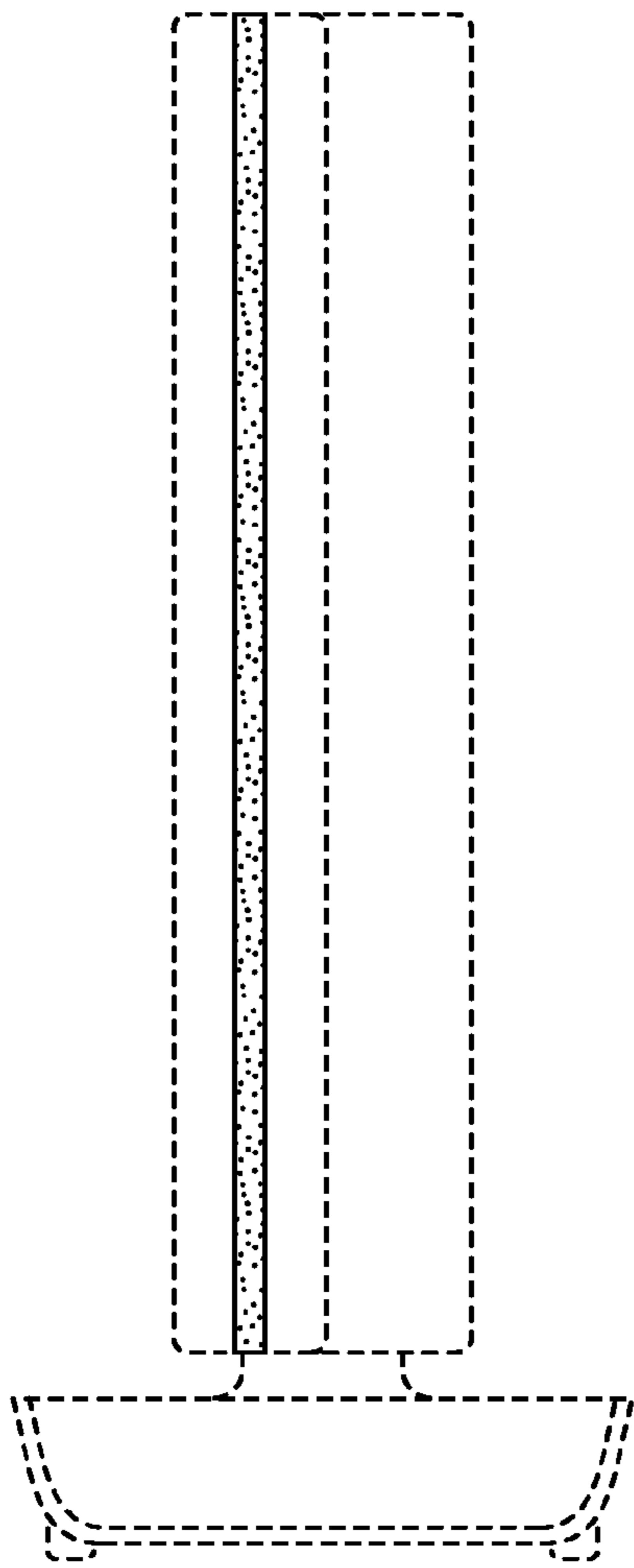


FIG. 4

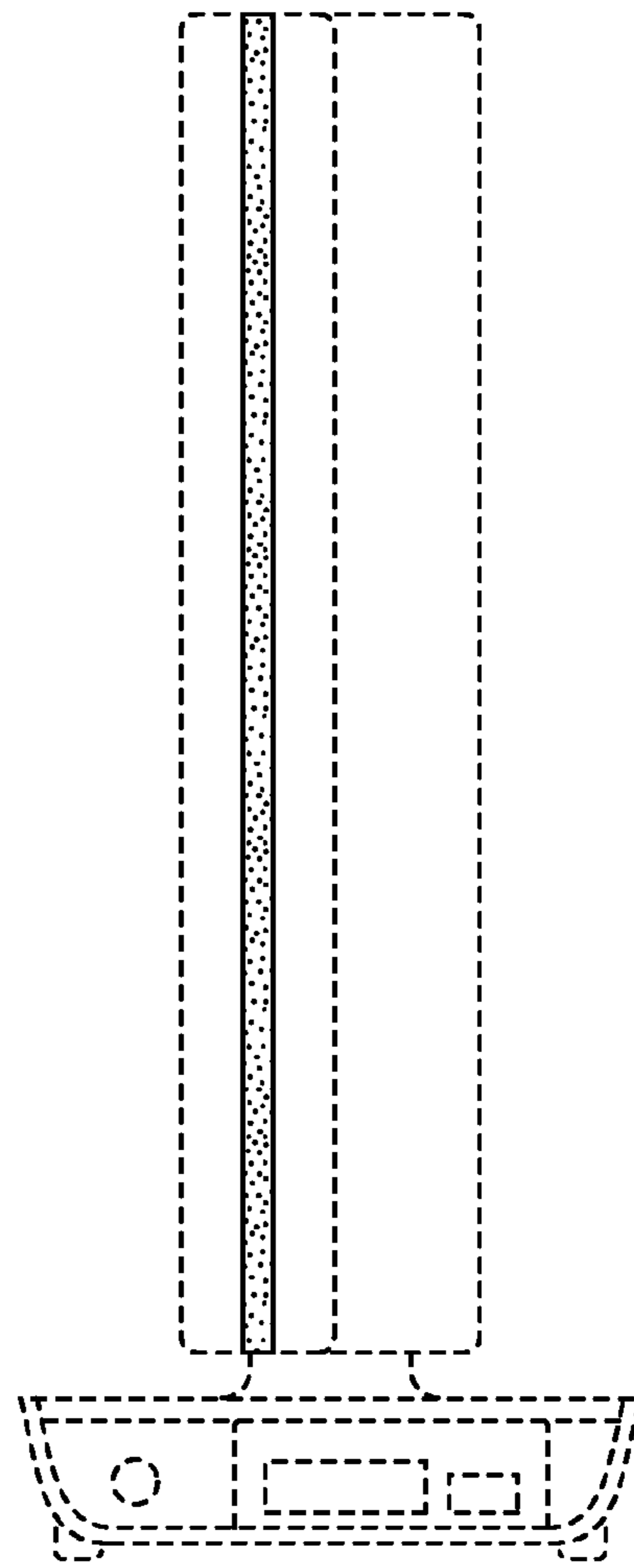


FIG. 5

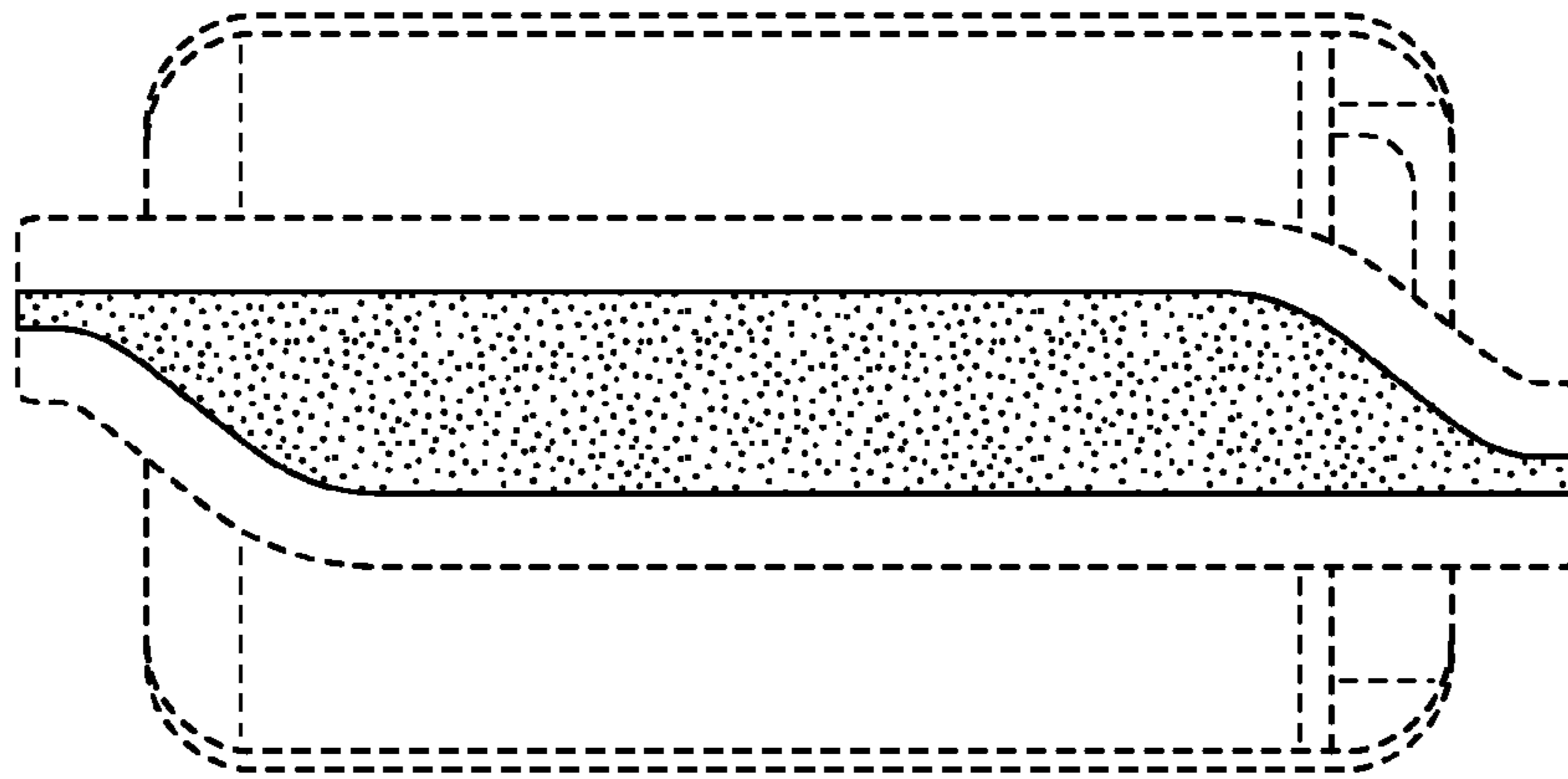


FIG. 6

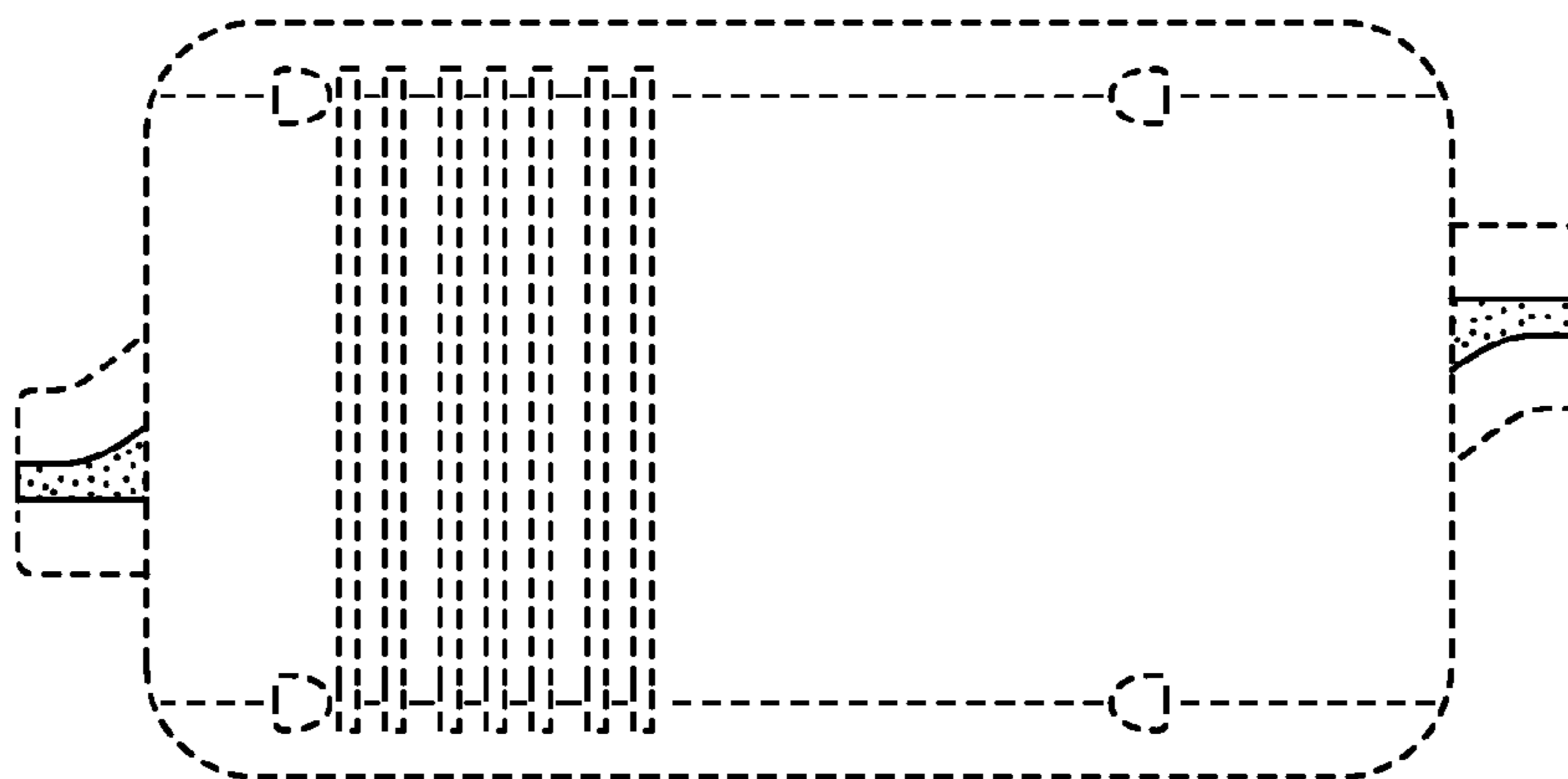


FIG. 7