



US00D584306S

(12) **United States Design Patent**  
**Maiers et al.**

(10) **Patent No.:** **US D584,306 S**  
(45) **Date of Patent:** **\*\* Jan. 6, 2009**

(54) **EXTERNAL HARD DRIVE HOUSING**

(75) Inventors: **Michael A. Maiers**, Campbell, CA (US);  
**Jeffrey Schmid**, Lafayette, CO (US);  
**Howard Nuk**, San Jose, CA (US)

(73) Assignee: **Seagate Technology**, Scotts Valley, CA (US)

(\*\*) Term: **14 Years**

(21) Appl. No.: **29/281,899**

(22) Filed: **Jul. 5, 2007**

**Related U.S. Application Data**

(63) Continuation-in-part of application No. 29/275,805, filed on Jan. 7, 2007.

(51) **LOC (9) Cl.** ..... **14-02**

(52) **U.S. Cl.** ..... **D14/356**

(58) **Field of Classification Search** ..... D14/351-370,  
D14/301, 313, 348-349, 432, 435-436, 496,  
D14/137, 155, 167-168, 240, 242, 299; D13/149,  
D13/184; D3/201, 273; 711/100, 115; 361/685;  
369/272.1; 360/132-133, 135  
See application file for complete search history.

(56) **References Cited**

**U.S. PATENT DOCUMENTS**

D298,625 S \* 11/1988 Gore ..... D14/351  
D335,497 S \* 5/1993 Patterson et al. .... D14/211  
D415,123 S \* 10/1999 Murphy ..... D14/311  
D464,341 S \* 10/2002 Tanaka ..... D14/242  
D484,129 S \* 12/2003 Hyogo ..... D14/356  
D489,720 S \* 5/2004 Sasaki ..... D14/358  
D491,166 S \* 6/2004 Hakoda ..... D14/214  
D514,563 S \* 2/2006 Kuramashi et al. .... D14/358

D515,067 S \* 2/2006 Yoshitake et al. .... D14/168  
D526,662 S \* 8/2006 Choi ..... D14/496  
D537,437 S \* 2/2007 Yoon ..... D14/215  
D550,217 S \* 9/2007 Schneider ..... D14/230  
D552,549 S \* 10/2007 Hsu ..... D13/133

**OTHER PUBLICATIONS**

Seagate Technology—FreeAgent™ Desktop [online], [retrieved on Jun. 23, 2008]. Retrieved from the Internet <URL: [http://www.seagate.com/www/en-us/products/external/freeagent\\_desktop\\_data\\_movers](http://www.seagate.com/www/en-us/products/external/freeagent_desktop_data_movers)>.\*

Seagate Technology—External Storage Solutions [online], [retrieved on Jun. 23, 2008]. Retrieved from the Internet <URL: <http://www.seagate.com/www/en-us/products/external/>>.\*

\* cited by examiner

*Primary Examiner*—Robin V. Webster

*Assistant Examiner*—Karen E Kearney

(74) *Attorney, Agent, or Firm*—Banner & Witcoff, Ltd.

(57) **CLAIM**

The ornamental design for an external hard drive housing, as shown and described.

**DESCRIPTION**

FIG. 1 is a perspective view of an external hard drive housing showing our new design;

FIG. 2 is a front elevational view thereof;

FIG. 3 is a rear elevational view thereof;

FIG. 4 is a left side elevational view thereof;

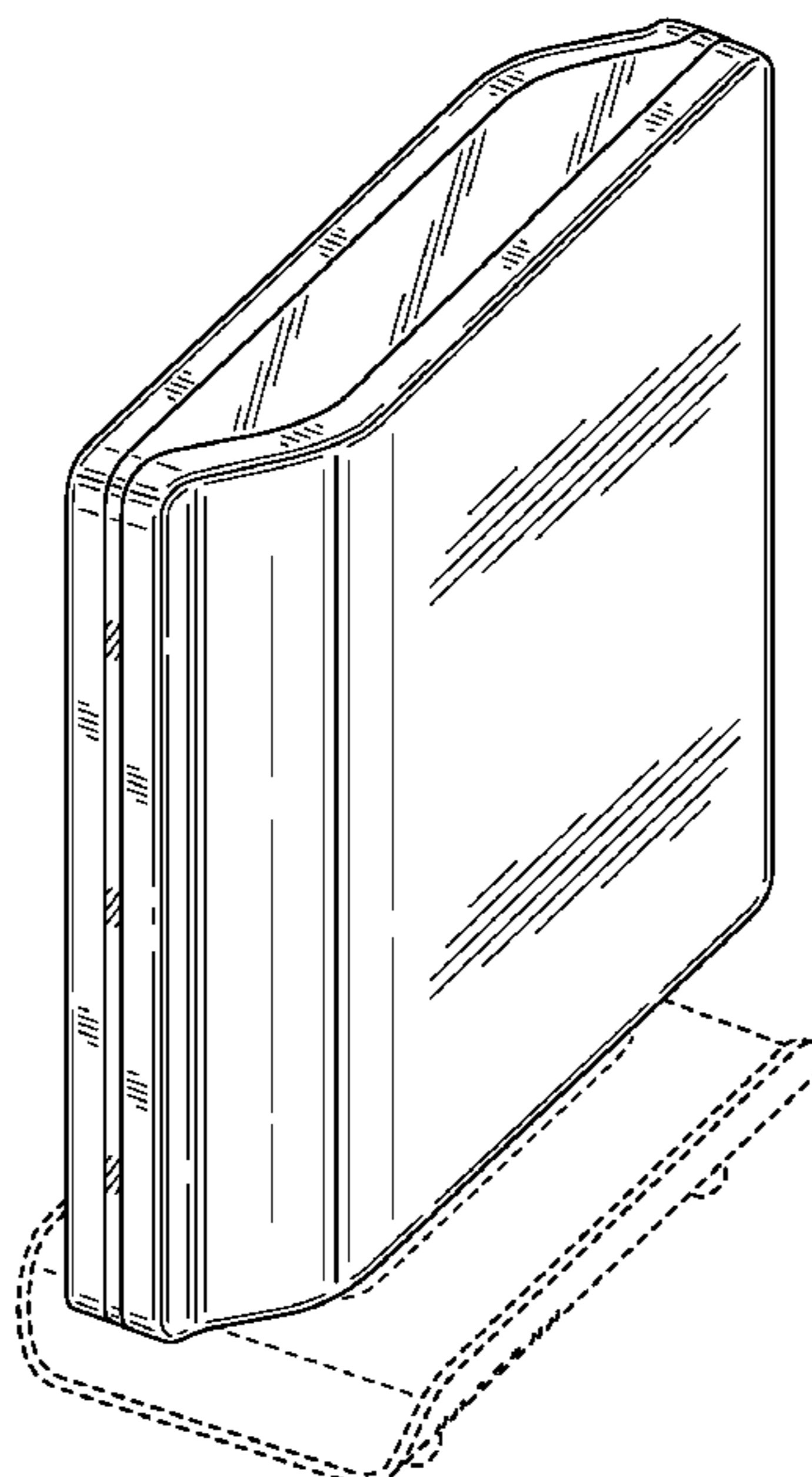
FIG. 5 is a right side elevational view thereof;

FIG. 6 is a top plan view thereof; and,

FIG. 7 is a bottom plan view thereof.

The broken line showing of the stand is for illustrative purposes only and forms no part of the claimed design.

**1 Claim, 5 Drawing Sheets**



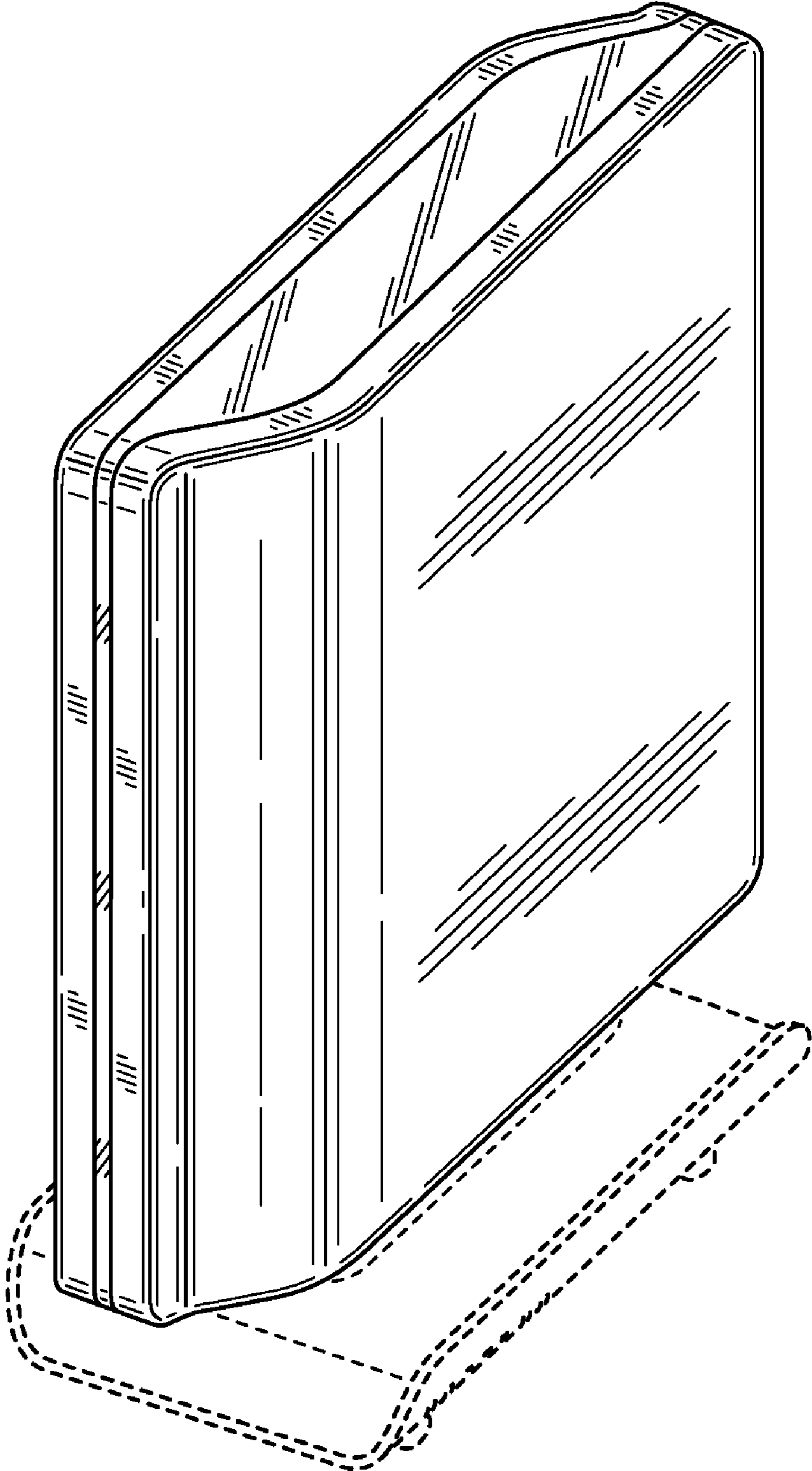


FIG. 1

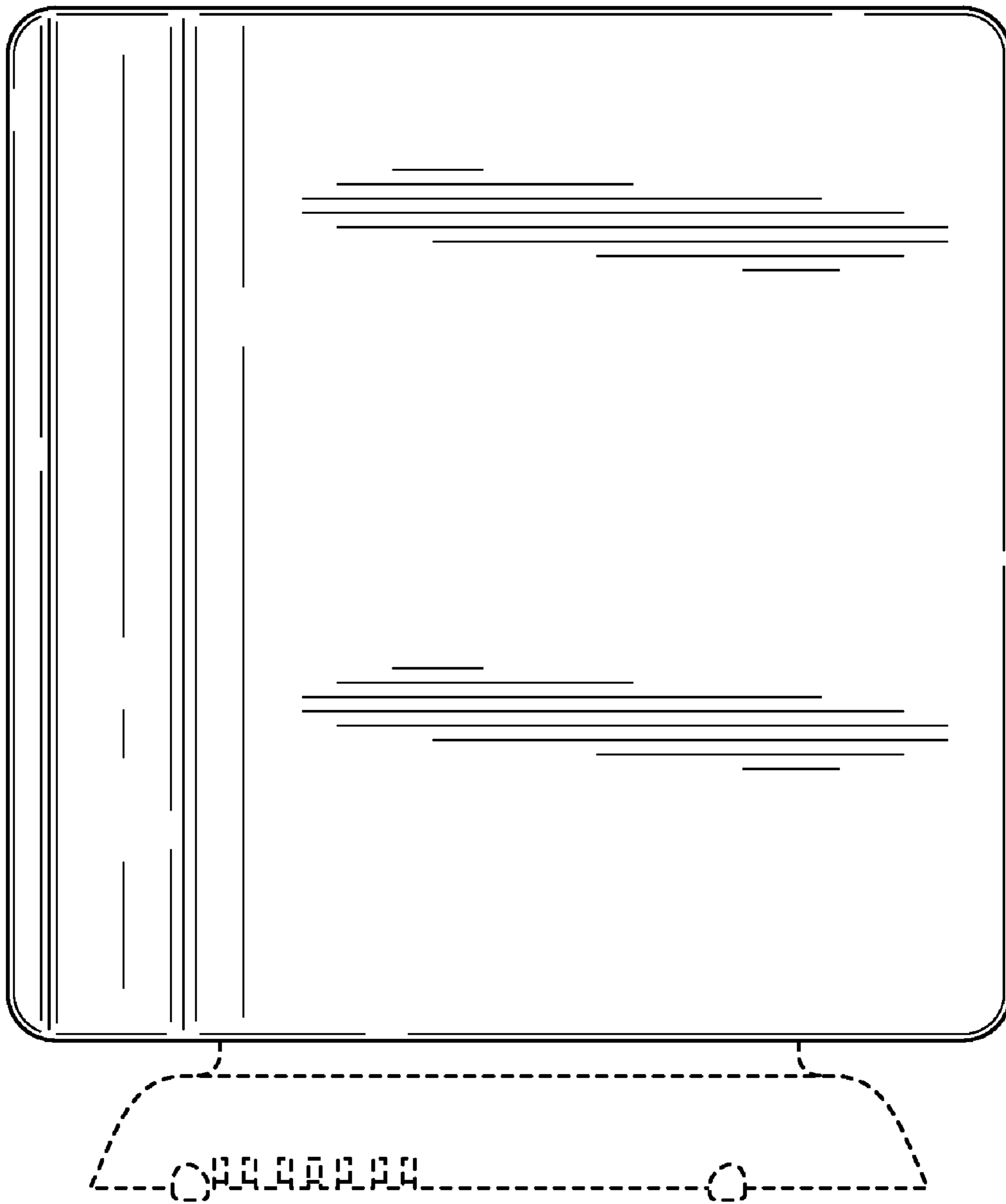


FIG. 2

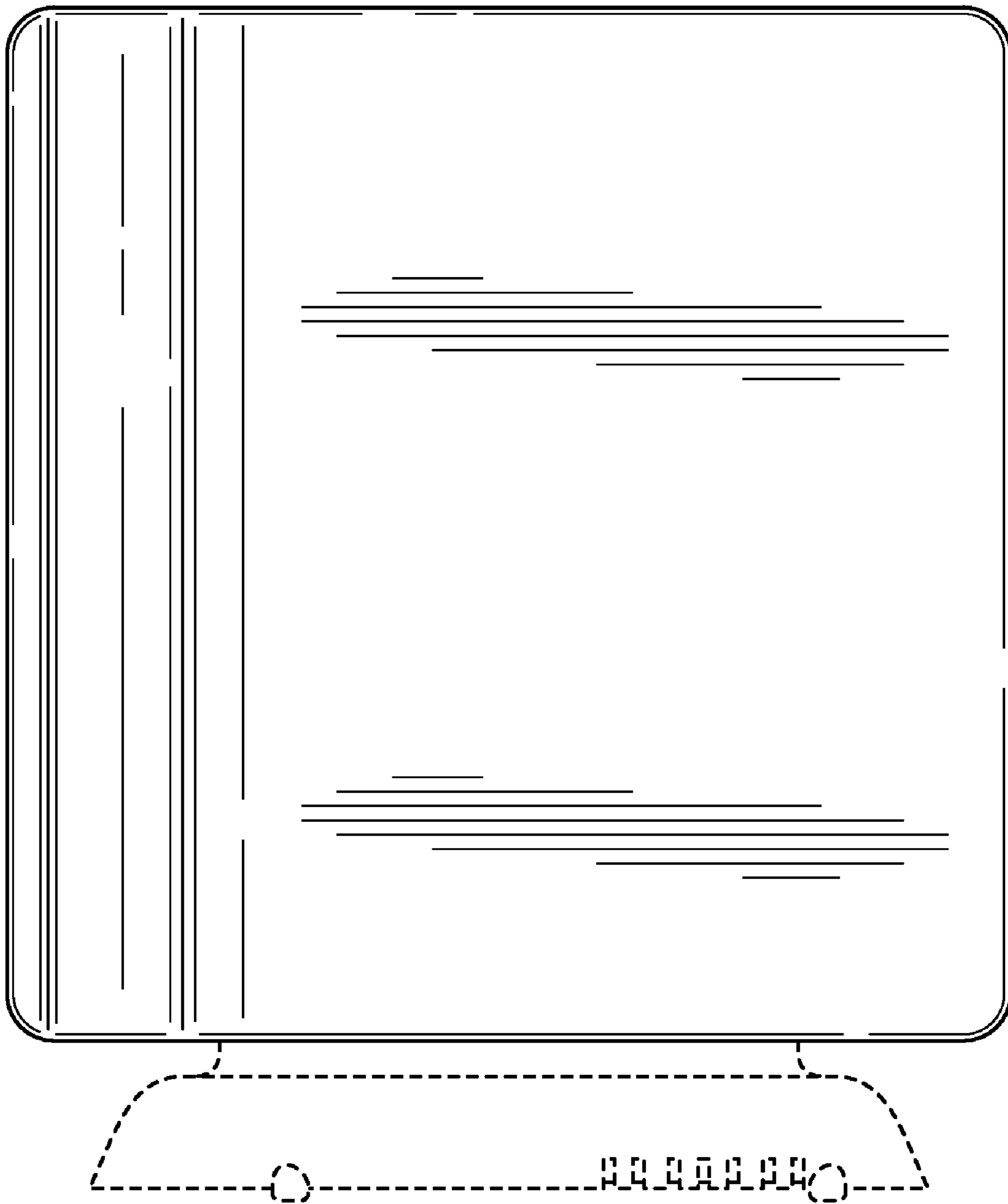


FIG. 3

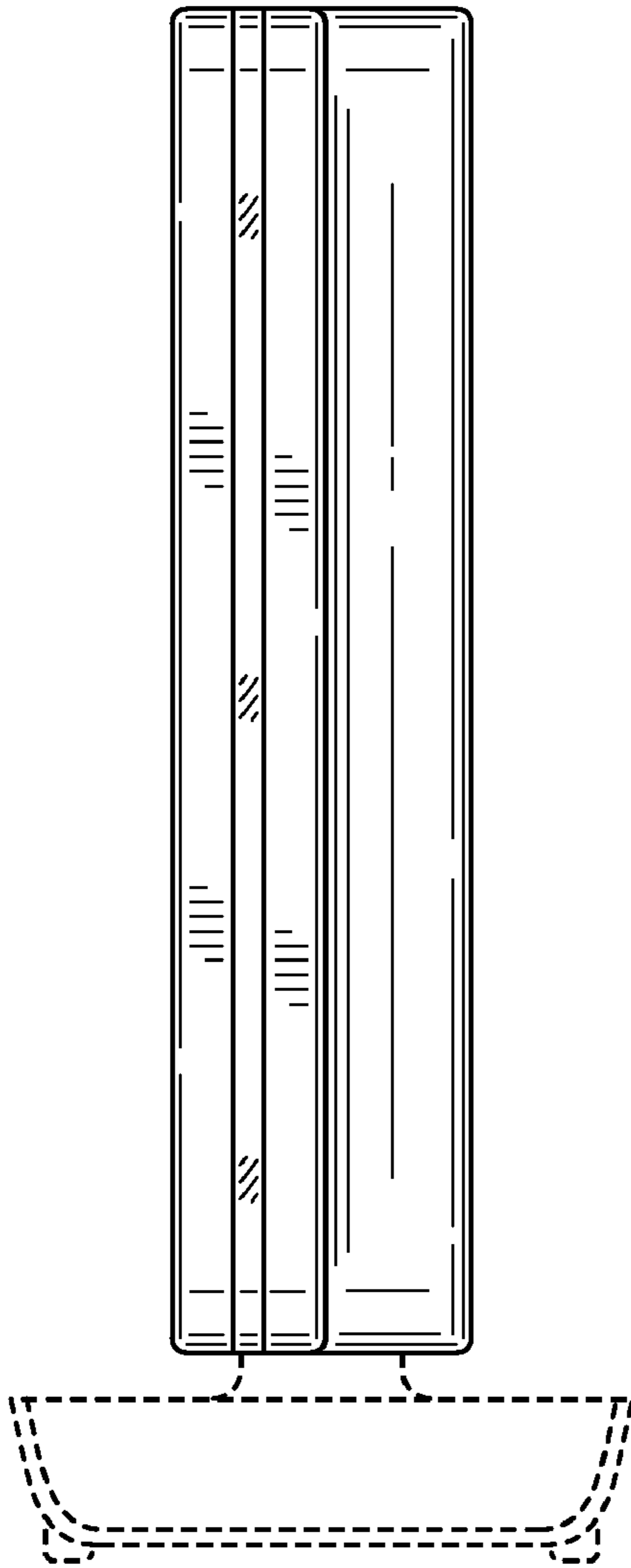


FIG. 4

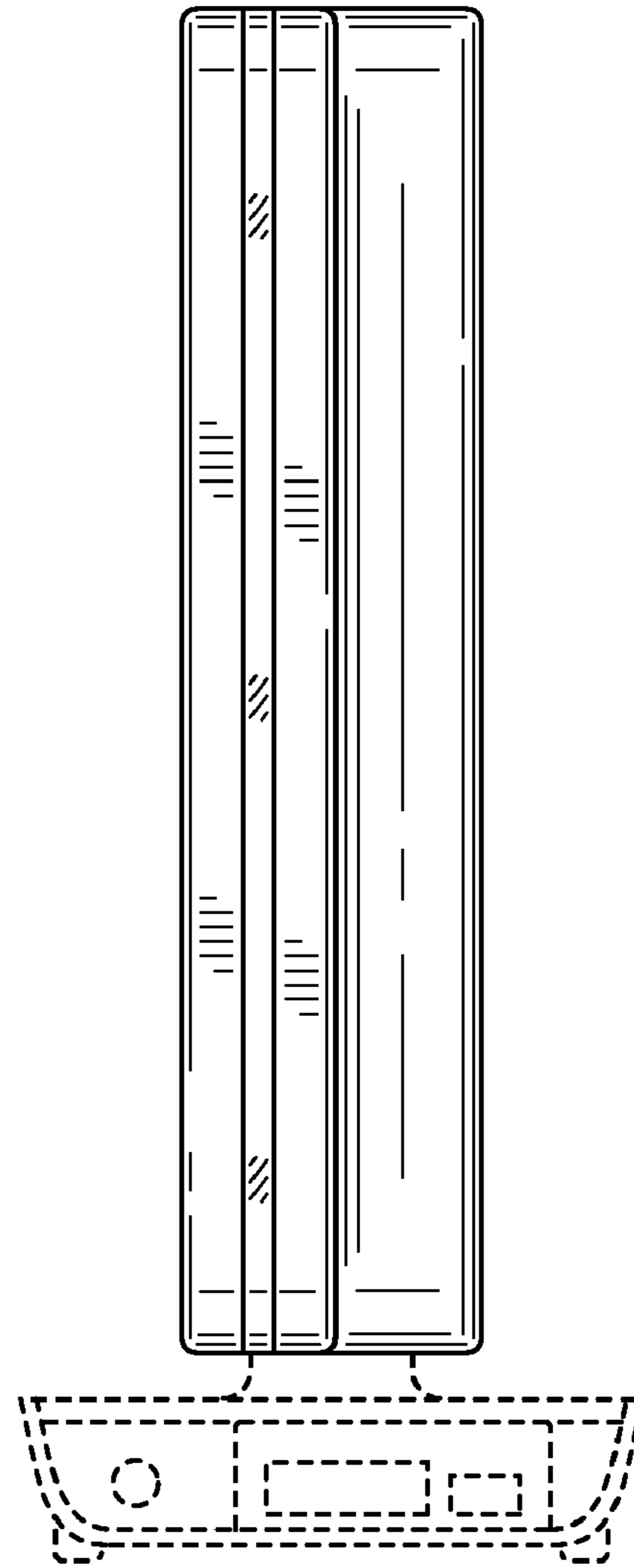


FIG. 5

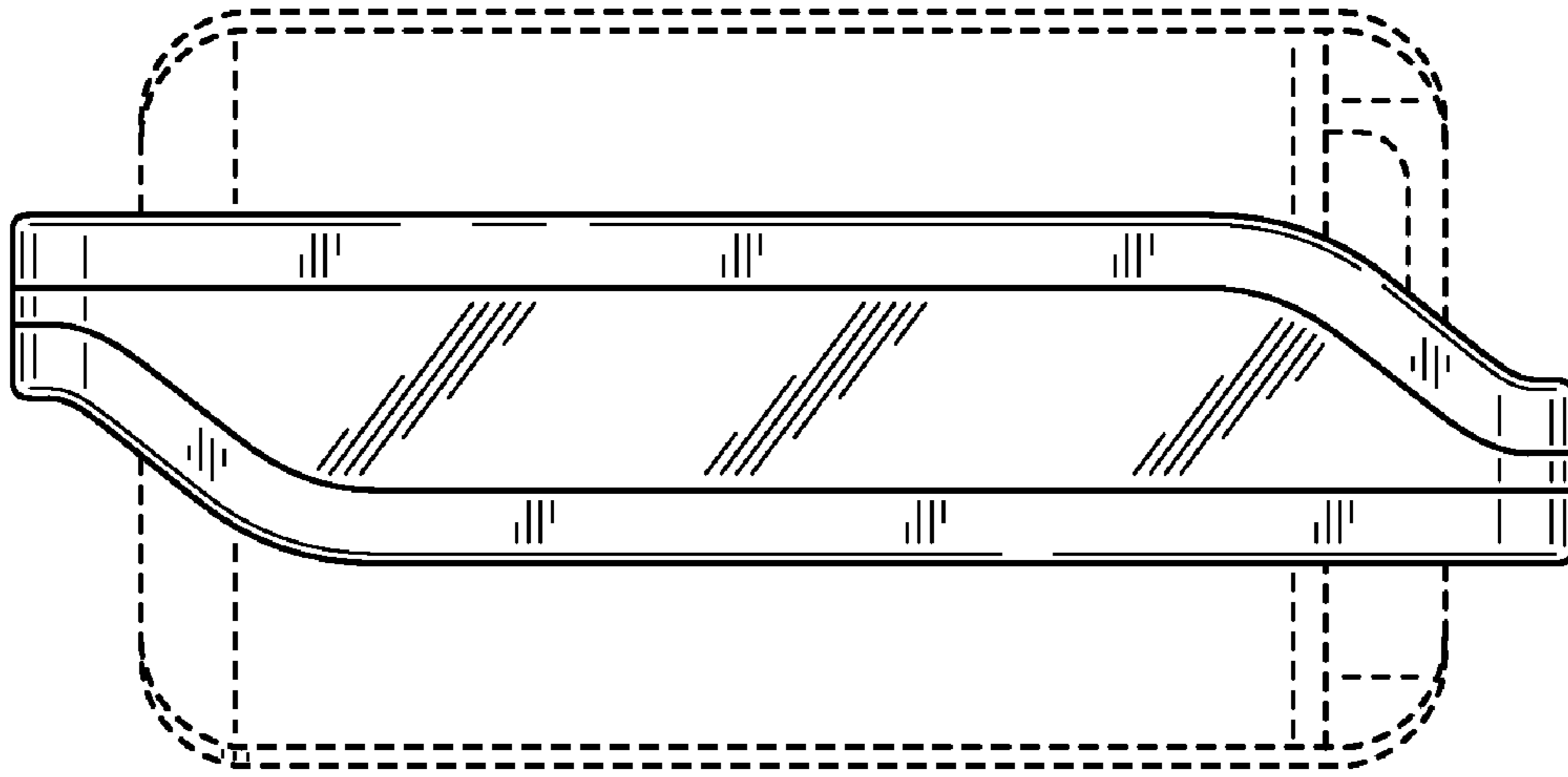


FIG. 6

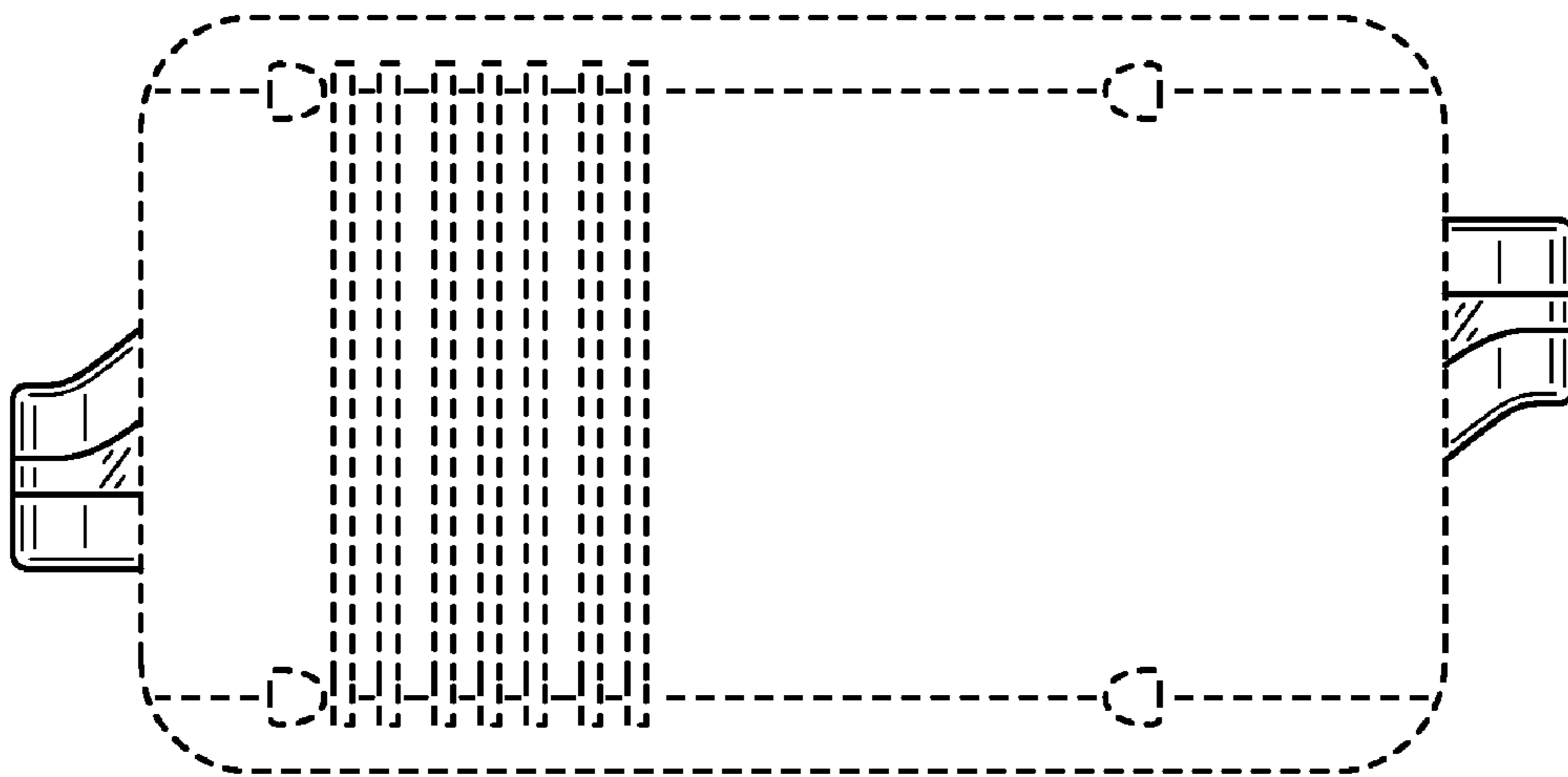


FIG. 7