



US00D584304S

(12) **United States Design Patent**
Lin

(10) **Patent No.:** **US D584,304 S**
(45) **Date of Patent:** **** Jan. 6, 2009**

(54) **HANDHELD ELECTRONIC DEVICE**

(75) Inventor: **Sheng-Yueh Lin**, Taoyuan County (TW)

(73) Assignee: **HTC Corporation**, Taoyuan, Taoyuan County (TW)

(**) Term: **14 Years**

(21) Appl. No.: **29/287,738**

(22) Filed: **Sep. 13, 2007**

(51) **LOC (9) Cl.** **14-02**

(52) **U.S. Cl.** **D14/346; D14/345; D14/138 AB**

(58) **Field of Classification Search** D14/341-347, D14/138, 454-456, 391, 218, 327, 338, 387, D14/390, 399, 426, 429, 432, 439, 137, 247, D14/496, 125, 126, 129, 318, 326, 248; D18/7; D13/168; 361/680; D21/517, 329, 330, D21/331; D10/65, 104; 345/169; 379/433.04, 379/433.06, 433.07, 433.11, 433.12, 433.13; 348/14.02; 455/556.1, 556.2, 566, 575.1, 455/575.3, 575.4, 90.3; 341/22

See application file for complete search history.

(56) **References Cited**

U.S. PATENT DOCUMENTS

D357,003 S *	4/1995	Yamazaki	D14/326
D430,554 S *	9/2000	Nguyen et al.	D14/191
D519,116 S *	4/2006	Tanaka et al.	D14/341
D533,214 S *	12/2006	Oas	D18/7
D540,790 S *	4/2007	Kim et al.	D14/345
7,298,610 B2 *	11/2007	Kim et al.	361/683
D565,047 S *	3/2008	Jawerth et al.	D14/391
2002/0039074 A1 *	4/2002	England	341/22
2002/0077161 A1 *	6/2002	Eromaki	455/575
2005/0128695 A1 *	6/2005	Han	361/683
2007/0259702 A1 *	11/2007	Kemppinen	455/575.4
2008/0009330 A1 *	1/2008	Jung et al.	455/575.3

2008/0125191 A1* 5/2008 Nordenskjold 455/575.1

OTHER PUBLICATIONS

HTC Advantage X7510, announced Feb. 2008, http://www.gsmarena.com/htc_advantage_x7510-2267.php.*

HTC Advantage X7500, announced Feb. 2007, http://www.gsmarena.com/htc_advantage_x7500-1887.php.*

* cited by examiner

Primary Examiner—Jennifer Rivard

Assistant Examiner—Angela J Lee

(74) *Attorney, Agent, or Firm*—Bacon & Thomas, PLLC

(57) **CLAIM**

The ornamental design for a handheld electronic device, as shown and described.

DESCRIPTION

FIG. 1 is a perspective view of the front, top and left side of a handheld electronic device showing my new design;

FIG. 2 is a front elevational view thereof;

FIG. 3 is a left side elevational view thereof;

FIG. 4 is a right side elevational view thereof;

FIG. 5 is a top plan view thereof;

FIG. 6 is a bottom plan view thereof;

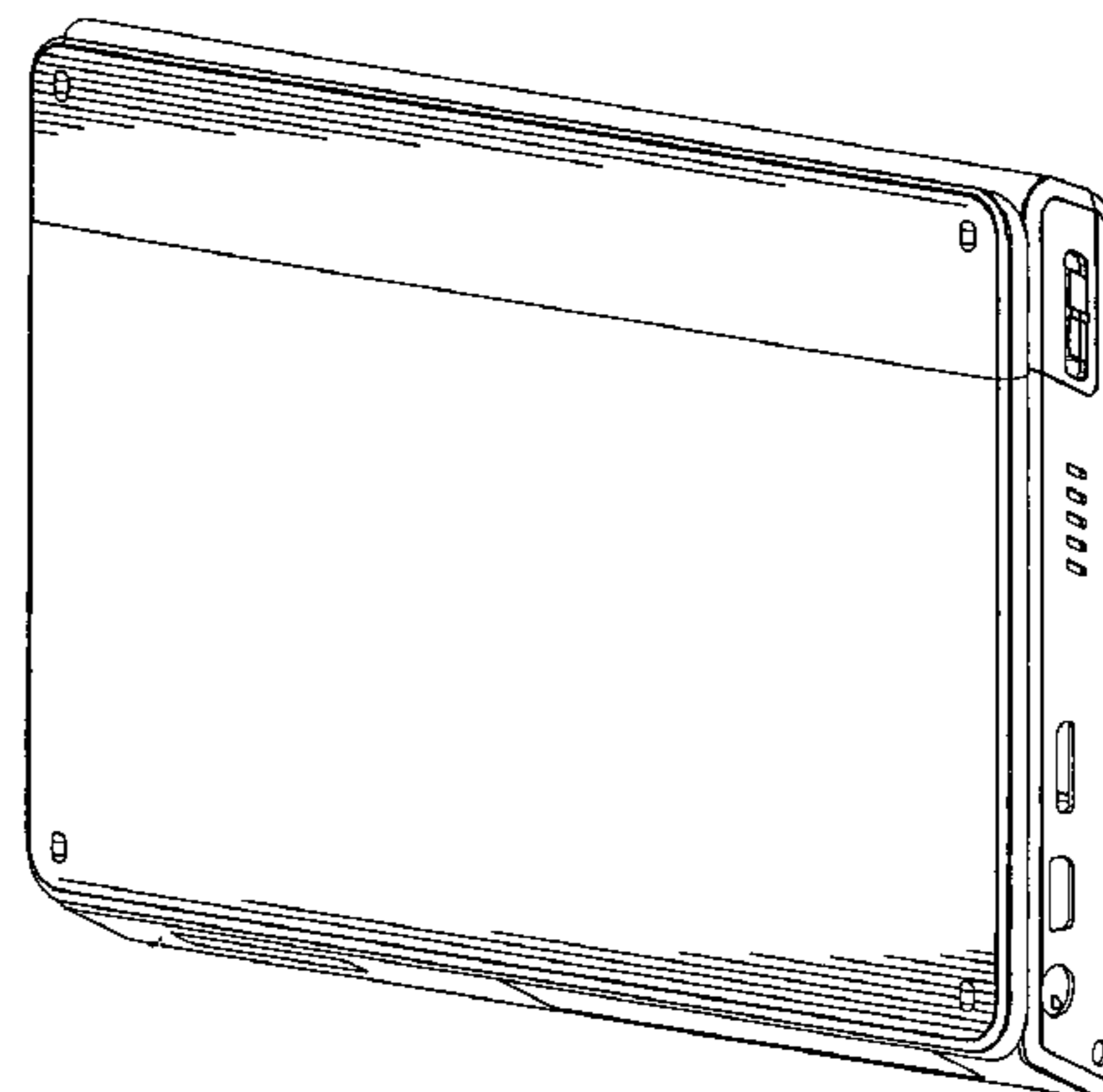
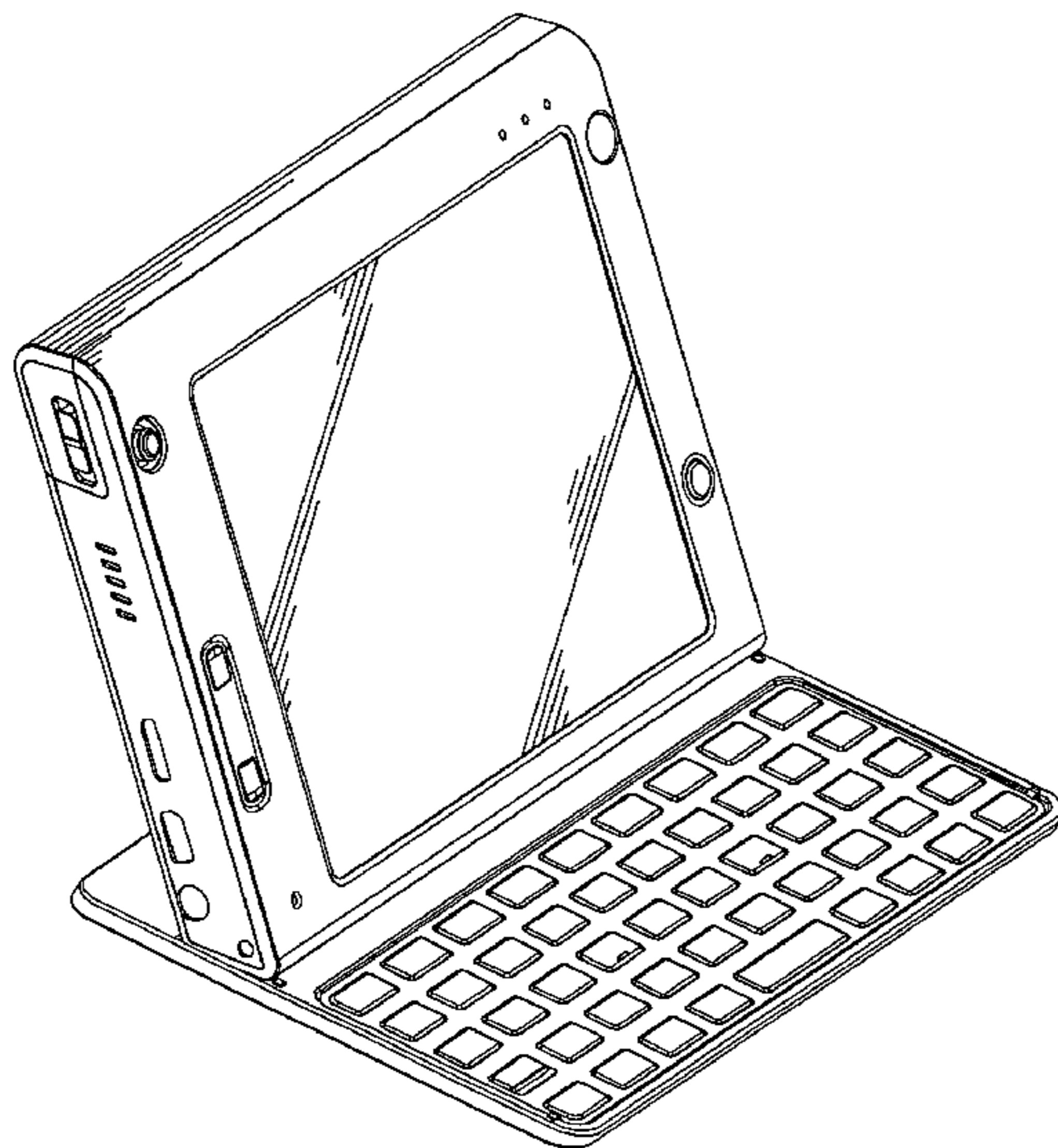
FIG. 7 is a rear elevational view thereof;

FIG. 8 is a perspective view of the front, top and left side thereof with the display being detached from the keyboard solely for the purpose of illustrating the separability of the design components;

FIG. 9 is a perspective view of the front, top and left side thereof with the keyboard being attached to the front of display; and,

FIG. 10 is a perspective view of the rear, bottom and left side thereof with the keyboard being attached to the rear of the display.

1 Claim, 10 Drawing Sheets



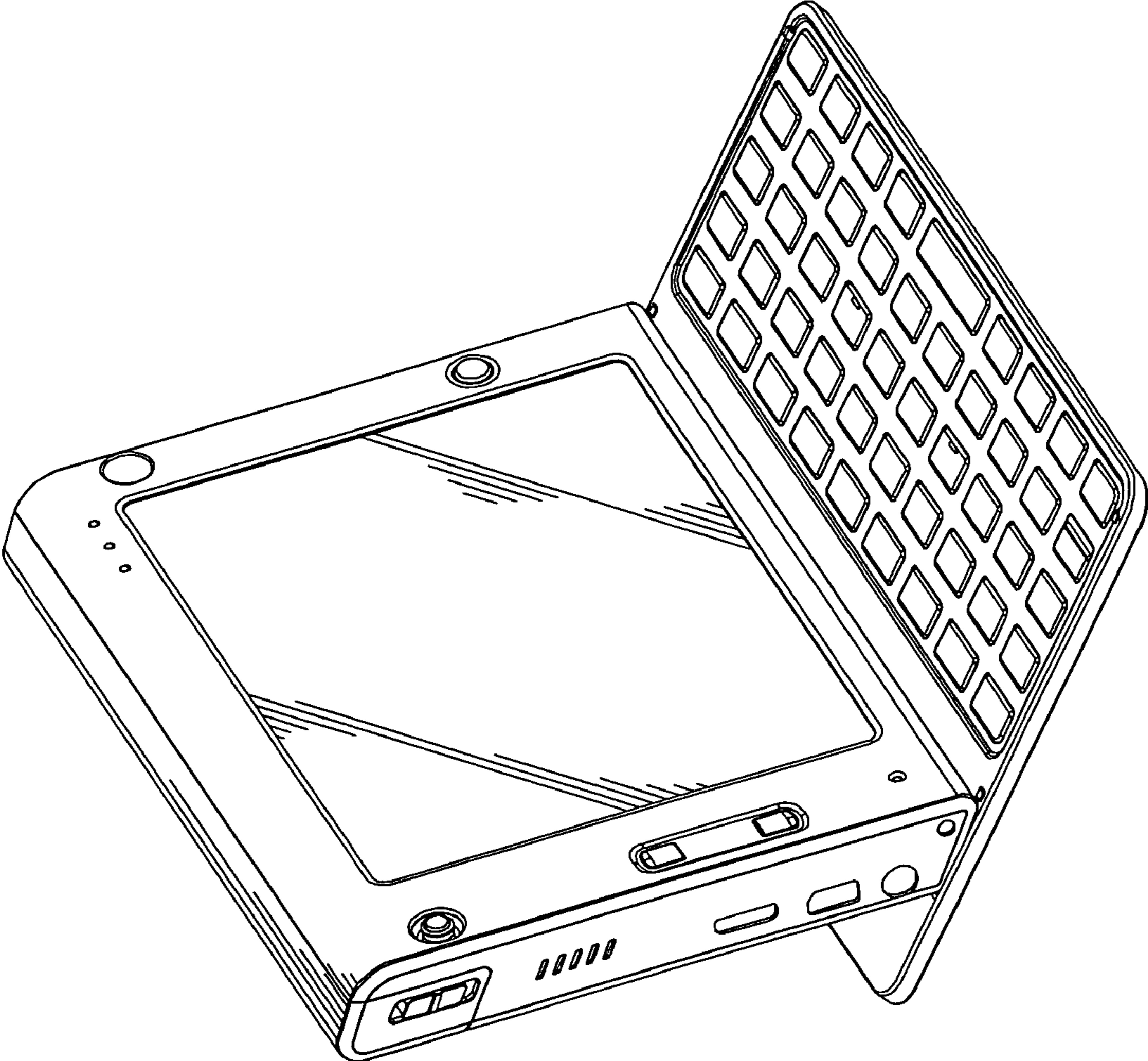


FIG. 1

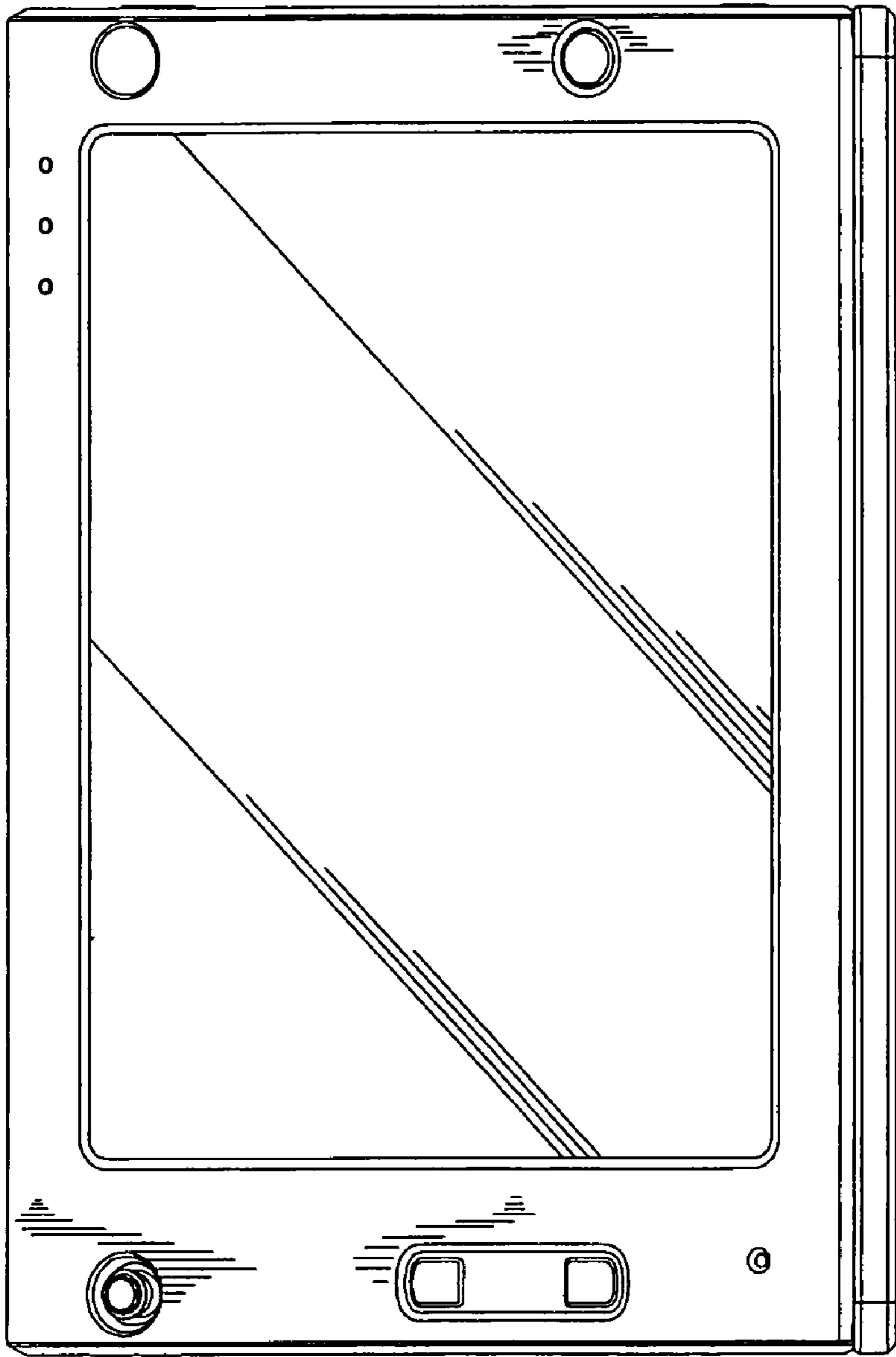


FIG. 2

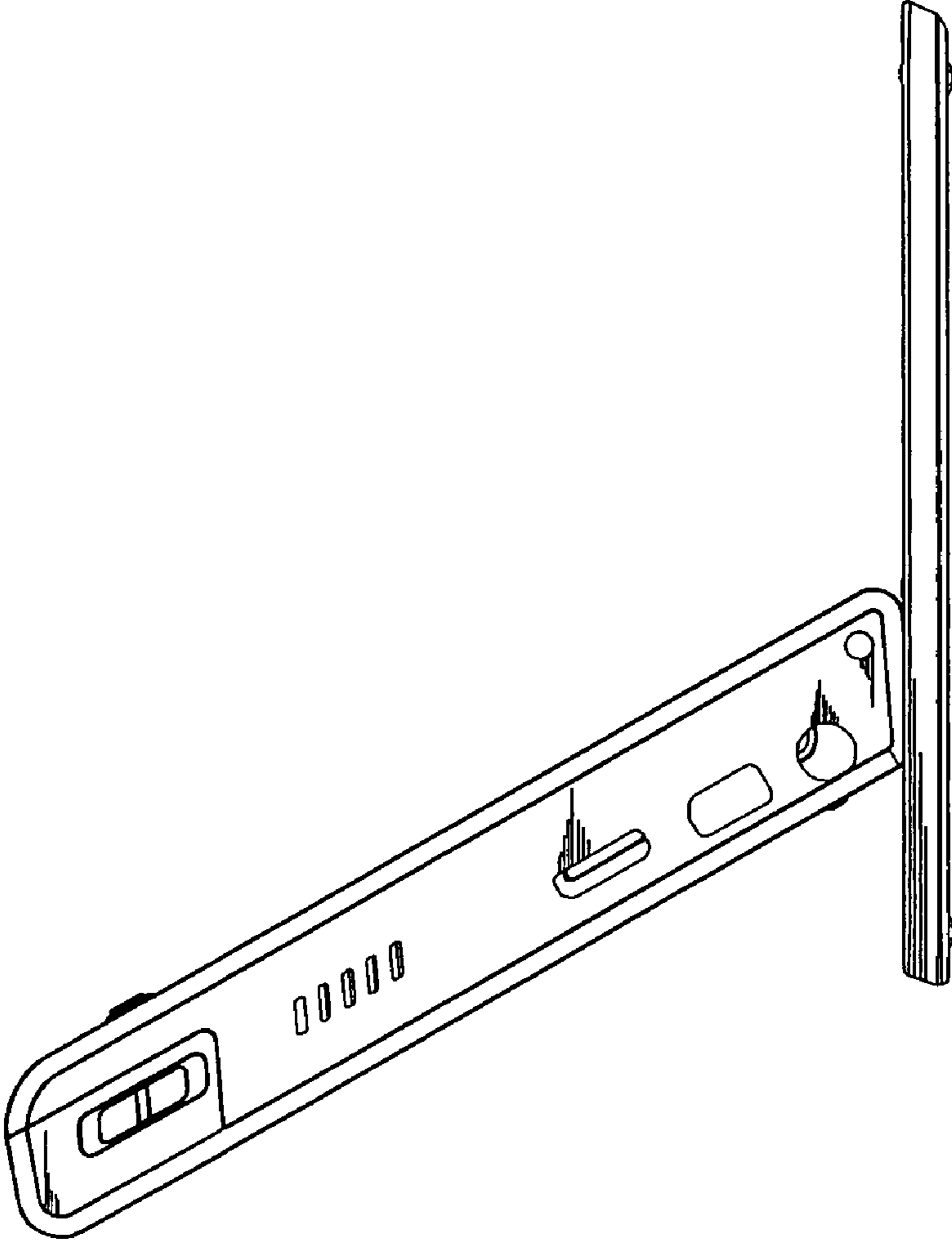


FIG. 3

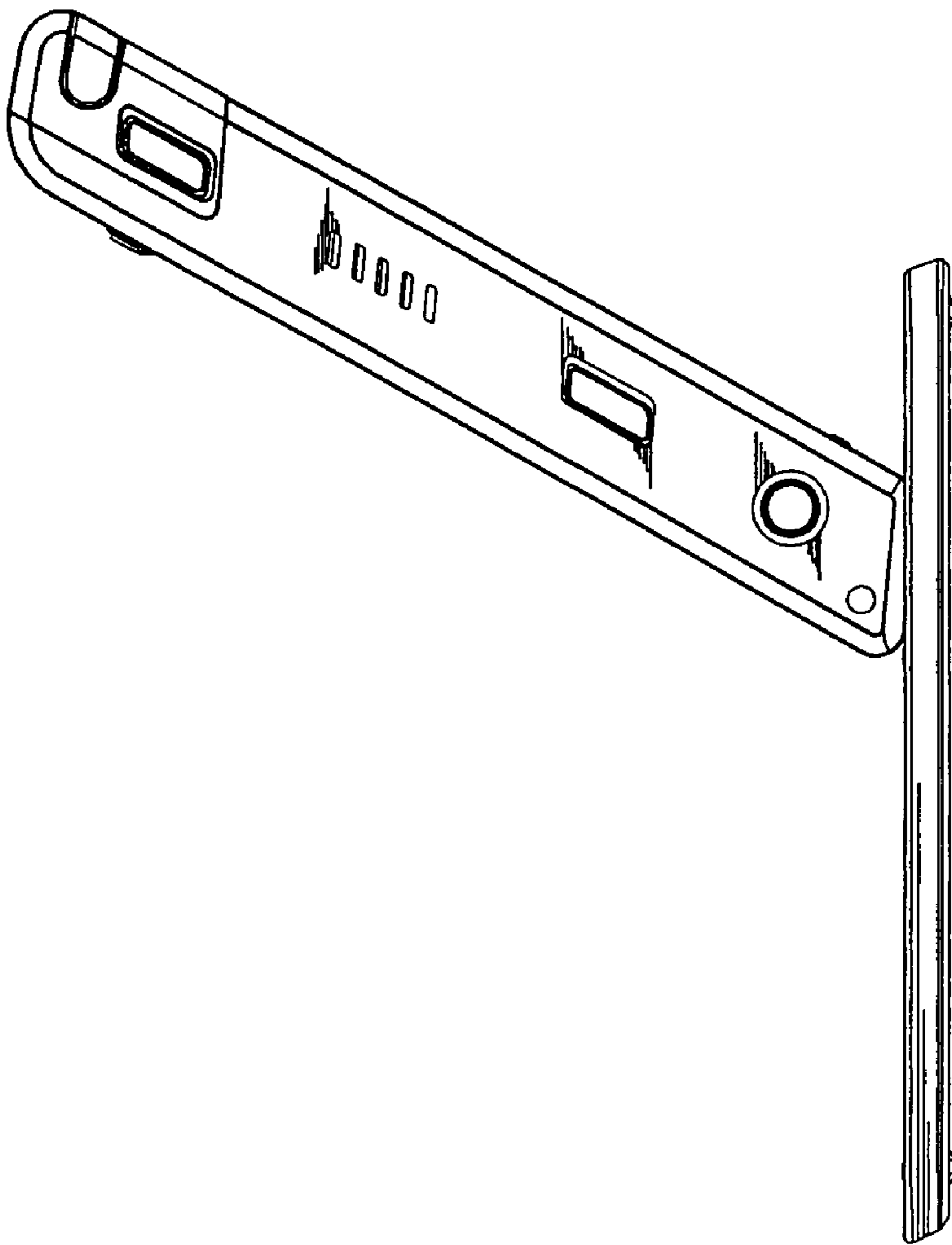


FIG. 4

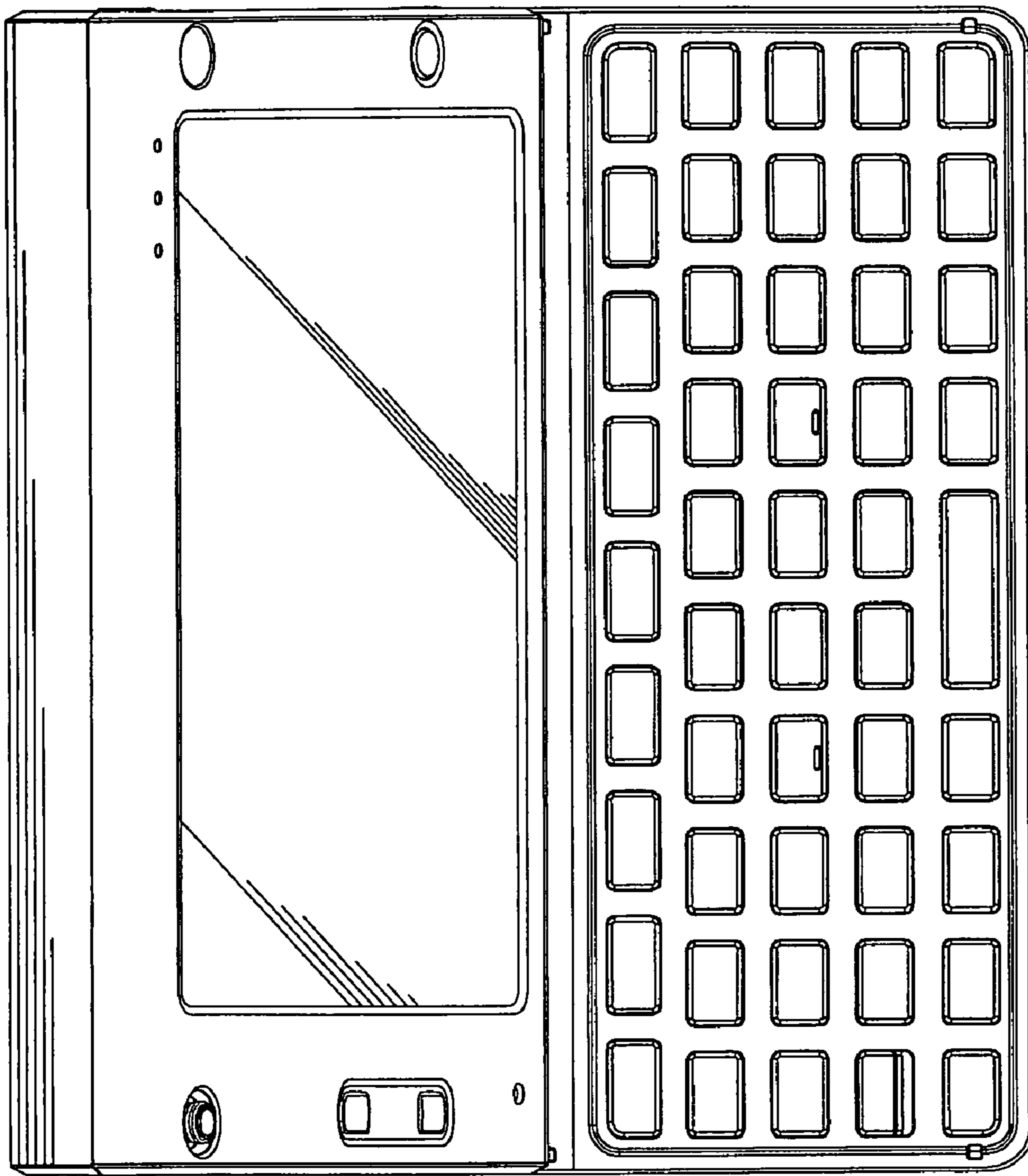


FIG. 5

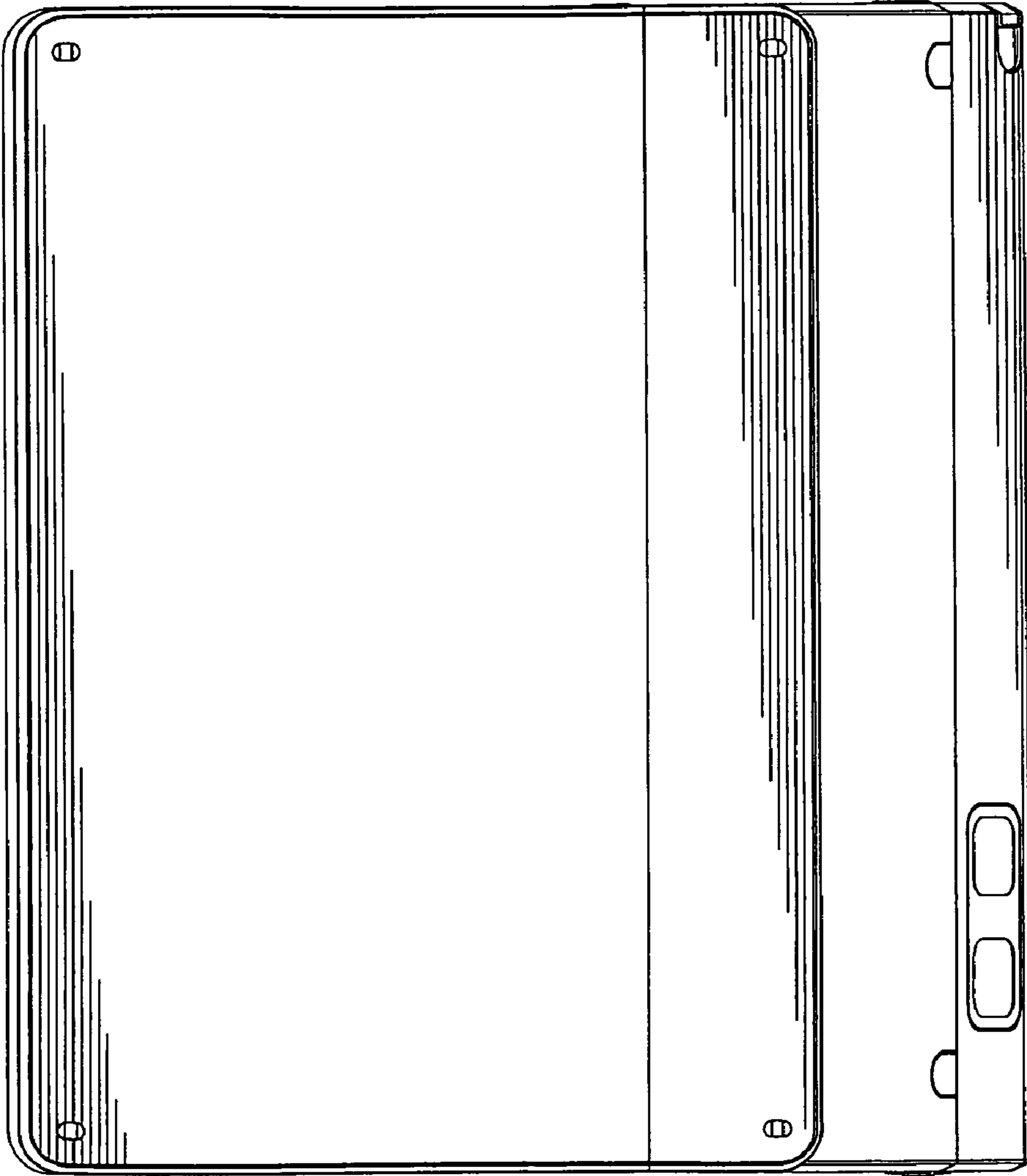


FIG. 6

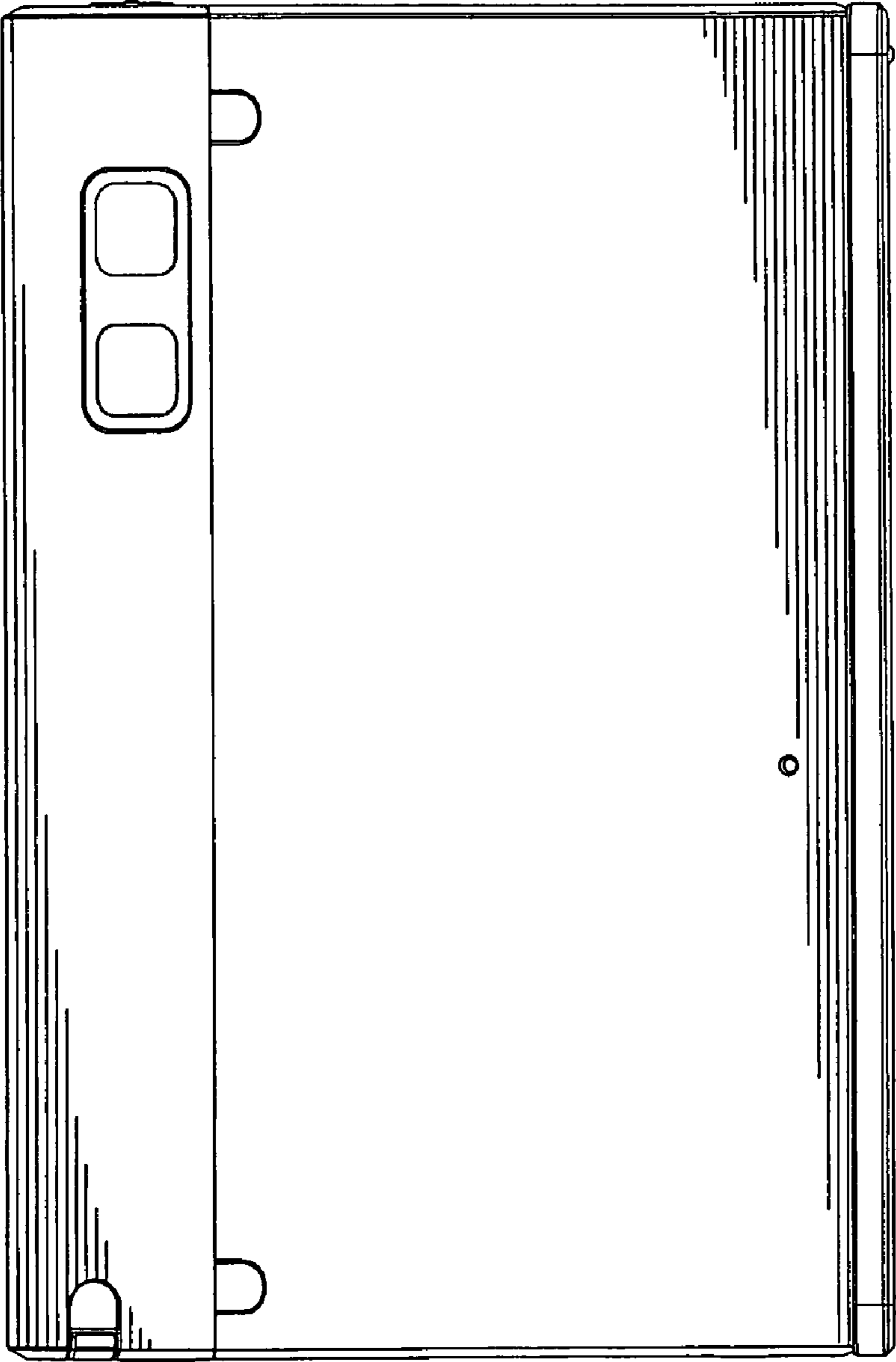


FIG. 7

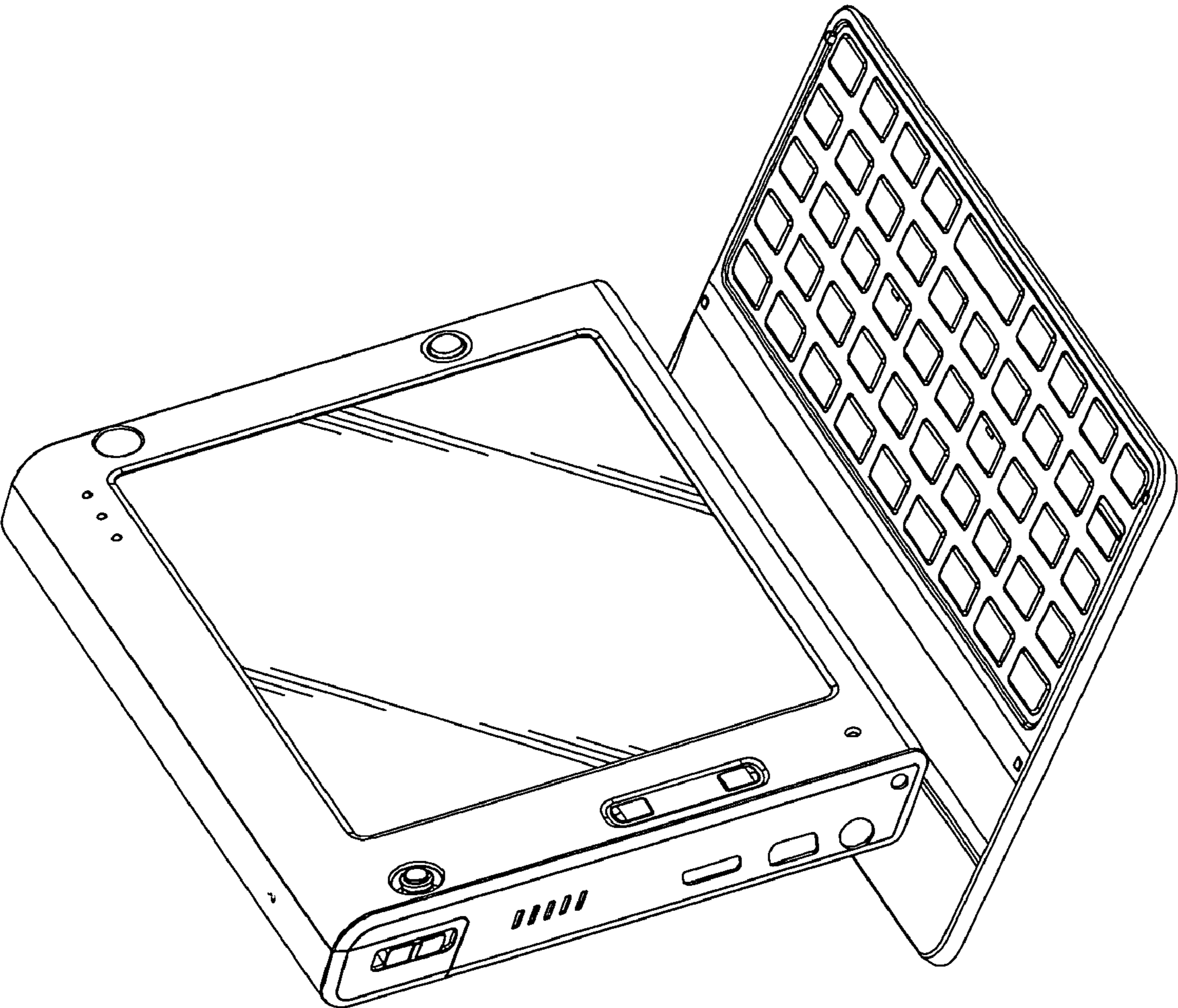


FIG. 8

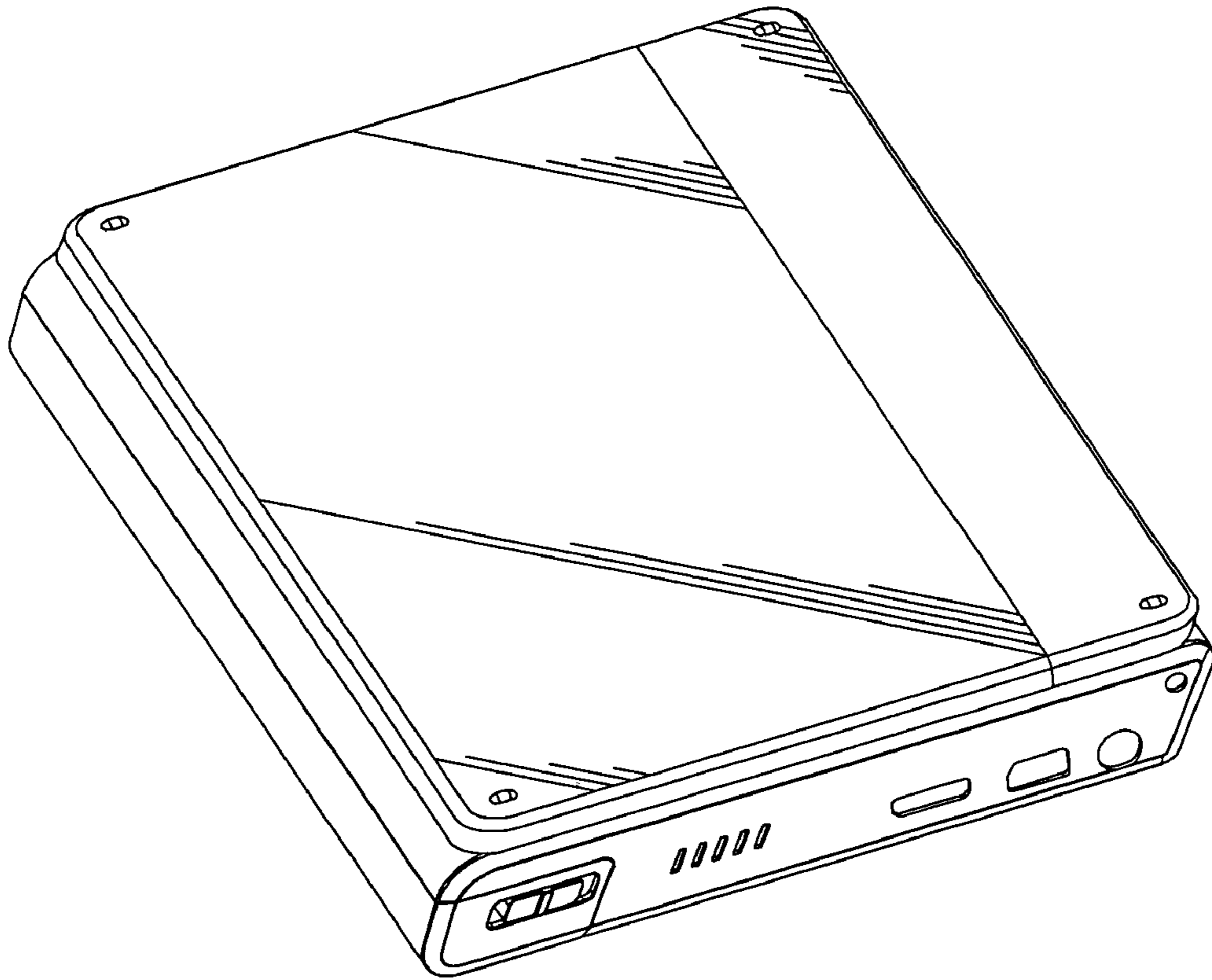


FIG. 9

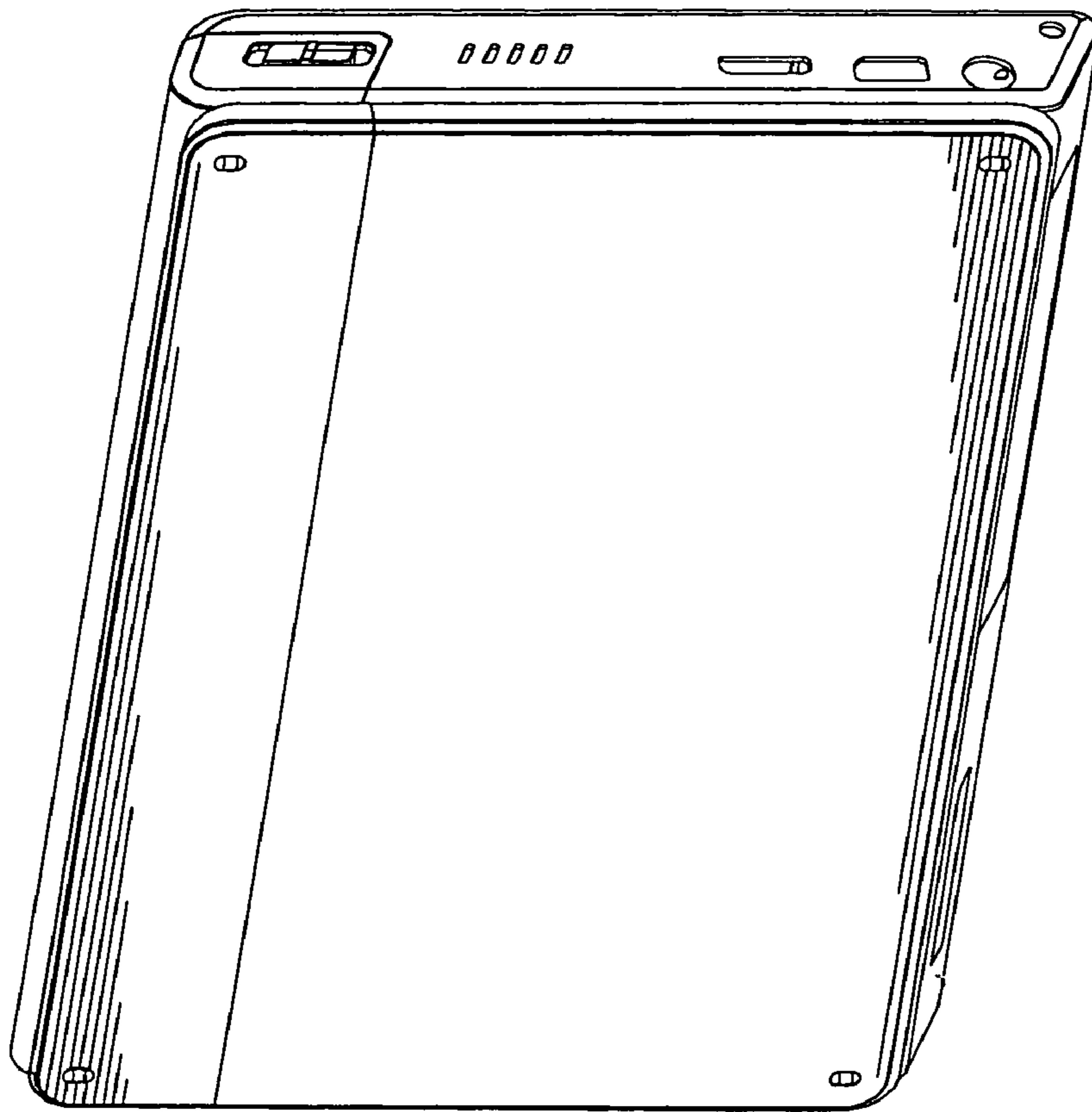


FIG. 10