



US00D584303S

(12) **United States Design Patent**
Andre et al.

(10) **Patent No.:** **US D584,303 S**
(45) **Date of Patent:** **** Jan. 6, 2009**

(54) **HANDHELD PORTABLE COMPUTING DEVICE**

(75) Inventors: **Bartley K. Andre**, Menlo Park, CA (US); **Daniel J. Coster**, San Francisco, CA (US); **Daniele De Iuliis**, San Francisco, CA (US); **Richard P. Howarth**, San Francisco, CA (US); **Jonathan P. Ive**, San Francisco, CA (US); **Steve Jobs**, San Francisco, CA (US); **Duncan Robert Kerr**, San Francisco, CA (US); **Shin Nishibori**, San Francisco, CA (US); **Matthew Dean Rohrbach**, San Francisco, CA (US); **Douglas B. Satzger**, Menlo Park, CA (US); **Calvin Q. Seid**, Palo Alto, CA (US); **Christopher J. Stringer**, Portola Valley, CA (US); **Eugene Antony Whang**, San Francisco, CA (US); **Rico Zorkendorfer**, San Francisco, CA (US)

(73) Assignee: **Apple Inc.**, Cupertino, CA (US)

(**) Term: **14 Years**

(21) Appl. No.: **29/305,103**

(22) Filed: **Mar. 13, 2008**

Related U.S. Application Data

(60) Continuation of application No. 29/281,810, filed on Jul. 2, 2007, now Pat. No. Des. 566,706, which is a division of application No. 29/237,232, filed on Aug. 24, 2005, now Pat. No. Des. 553,129.

(51) **LOC (9) Cl.** **14-02**

(52) **U.S. Cl.** **D14/341; D14/496**

(58) **Field of Classification Search** D14/341-346, D14/496, 138, 156; D18/1, 2, 7, 11; 341/22, 341/23; 345/168, 160, 163; 455/556.1, 575.5

See application file for complete search history.

(56) **References Cited**

U.S. PATENT DOCUMENTS

D264,969 S 6/1982 McGourty

Primary Examiner—Freda S Nunn

(74) *Attorney, Agent, or Firm*—Sterne, Kessler, Goldstein & Fox P.L.L.C.

(57) **CLAIM**

We claim the ornamental design for a handheld portable computing device, substantially as shown and described.

DESCRIPTION

FIG. 1 is a perspective view of a handheld portable computing device in accordance with the present design. The handheld portable computing device can for example be a media player, media storage device, cellular phone and/or the like.

FIG. 2 is a front view thereof.

FIG. 3 is a rear view thereof.

FIG. 4 is a top view thereof.

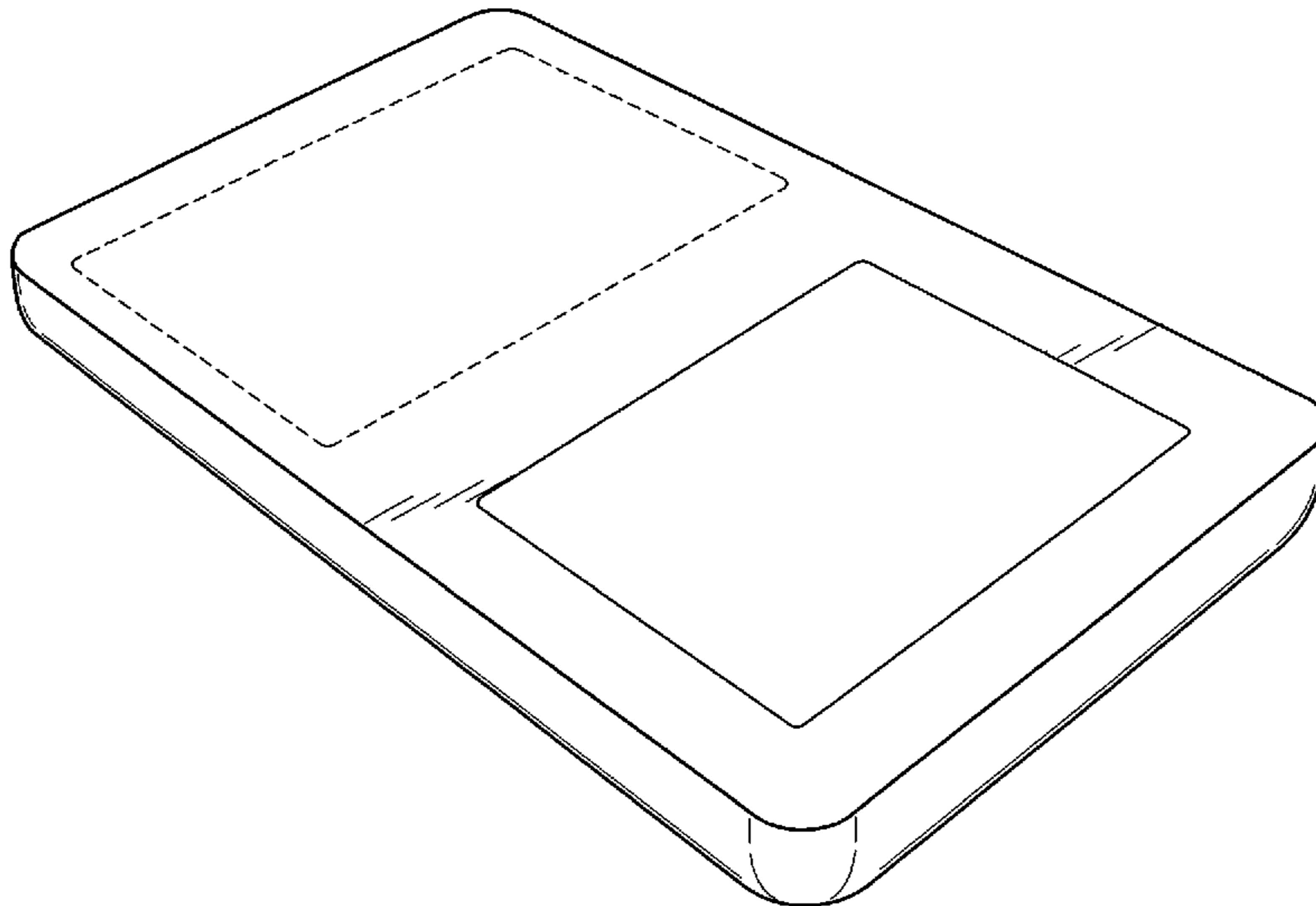
FIG. 5 is a bottom view thereof.

FIG. 6 is a right side view thereof; and,

FIG. 7 is a left side view thereof.

The user interface typically includes a display and an input means such as a navigation mechanism and selection mechanism. The display is shown in broken lines for environmental purposes only and forms no part of the claimed design.

1 Claim, 3 Drawing Sheets



US D584,303 S

Page 2

| U.S. PATENT DOCUMENTS | | | | | | | |
|-----------------------|----|---------|--------------|------|---------|-------------------|-----------|
| | | | 6,920,344 | B2 * | 7/2005 | Jang | 455/575.5 |
| 4,976,435 | A | 12/1990 | D509,833 | S | 9/2005 | Yang | |
| 5,192,082 | A | 3/1993 | D510,937 | S | 10/2005 | Tsai | |
| 5,661,632 | A | 8/1997 | D511,347 | S | 11/2005 | Naruki | |
| D412,940 | S | 8/1999 | D511,529 | S | 11/2005 | Sassano | |
| 5,964,661 | A | 10/1999 | D512,403 | S | 12/2005 | Yang | |
| D425,885 | S | 5/2000 | 6,977,675 | B2 | 12/2005 | Kotzin | |
| D430,169 | S | 8/2000 | D513,512 | S | 1/2006 | Tsai | |
| 6,122,526 | A | 9/2000 | D514,120 | S | 1/2006 | Chan | |
| D432,523 | S | 10/2000 | D514,121 | S | 1/2006 | Johnson | |
| D437,860 | S | 2/2001 | D514,589 | S | 2/2006 | Chen | |
| 6,227,966 | B1 | 5/2001 | D515,099 | S | 2/2006 | Lee | |
| 6,254,477 | B1 | 7/2001 | D515,546 | S | 2/2006 | Mu | |
| 6,262,785 | B1 | 7/2001 | D516,576 | S | 3/2006 | Ive et al. | |
| D448,810 | S | 10/2001 | D517,088 | S | 3/2006 | Chong et al. | |
| D450,713 | S | 11/2001 | D518,290 | S | 4/2006 | Andre et al. | |
| 6,314,483 | B1 | 11/2001 | D519,523 | S | 4/2006 | Chiu et al. | |
| D452,250 | S | 12/2001 | D520,020 | S | 5/2006 | Senda et al. | |
| D455,793 | S | 4/2002 | 7,046,230 | B2 | 5/2006 | Zadesky et al. | |
| D468,365 | S | 1/2003 | D525,986 | S | 8/2006 | Kim | |
| D469,109 | S | 1/2003 | D538,820 | S | 3/2007 | Andre et al. | |
| D472,245 | S | 3/2003 | D541,297 | S | 4/2007 | Andre et al. | |
| D473,207 | S | 4/2003 | D541,298 | S | 4/2007 | Andre et al. | |
| 6,591,085 | B1 | 7/2003 | D541,299 | S | 4/2007 | Andre et al. | |
| D483,809 | S | 12/2003 | D542,306 | S | 5/2007 | Andre et al. | |
| D486,813 | S | 2/2004 | D542,808 | S | 5/2007 | Andre et al. | |
| D489,052 | S | 4/2004 | D548,744 | S | 8/2007 | Andre et al. | |
| D489,731 | S | 5/2004 | D548,745 | S | 8/2007 | Andre et al. | |
| D490,068 | S | 5/2004 | D548,746 | S | 8/2007 | Andre et al. | |
| D492,323 | S | 6/2004 | D548,747 | S | 8/2007 | Andre et al. | |
| D492,315 | S | 7/2004 | D553,129 | S | 10/2007 | Andre et al. | |
| D494,188 | S | 8/2004 | D562,848 | S | 2/2008 | Andre et al. | |
| D497,618 | S | 10/2004 | D566,706 | S * | 4/2008 | Andre et al. | D14/341 |
| D499,423 | S | 12/2004 | 2003/0153263 | A1 | 8/2003 | Glass et al. | |
| D499,424 | S | 12/2004 | 2004/0033478 | A1 | 2/2004 | Knowles et al. | |
| D506,476 | S | 6/2005 | 2004/0224638 | A1 | 11/2004 | Fadell et al. | |
| D507,003 | S | 7/2005 | | | | | |
| D507,277 | S | 7/2005 | | | | | |

* cited by examiner

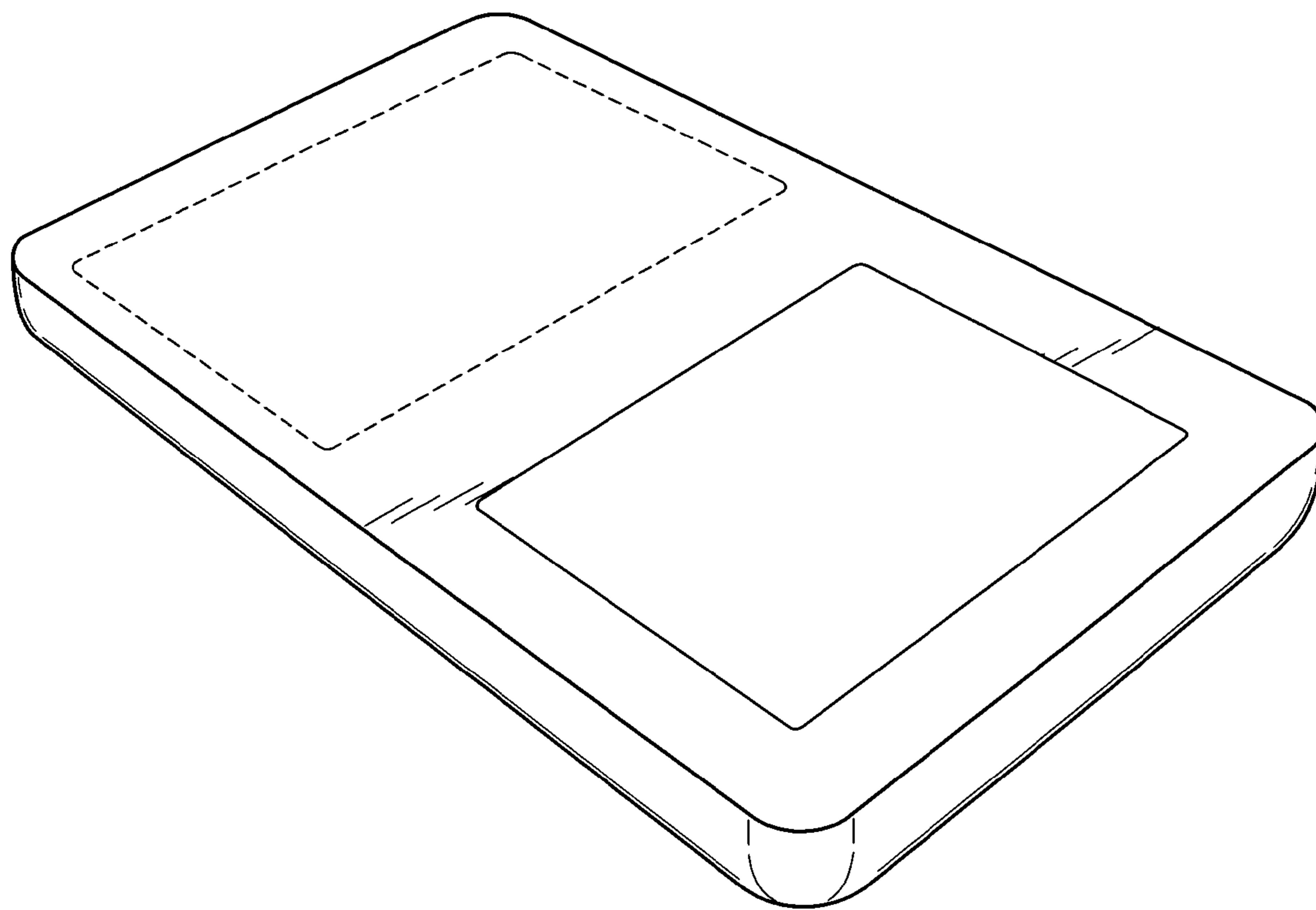


FIG. 1

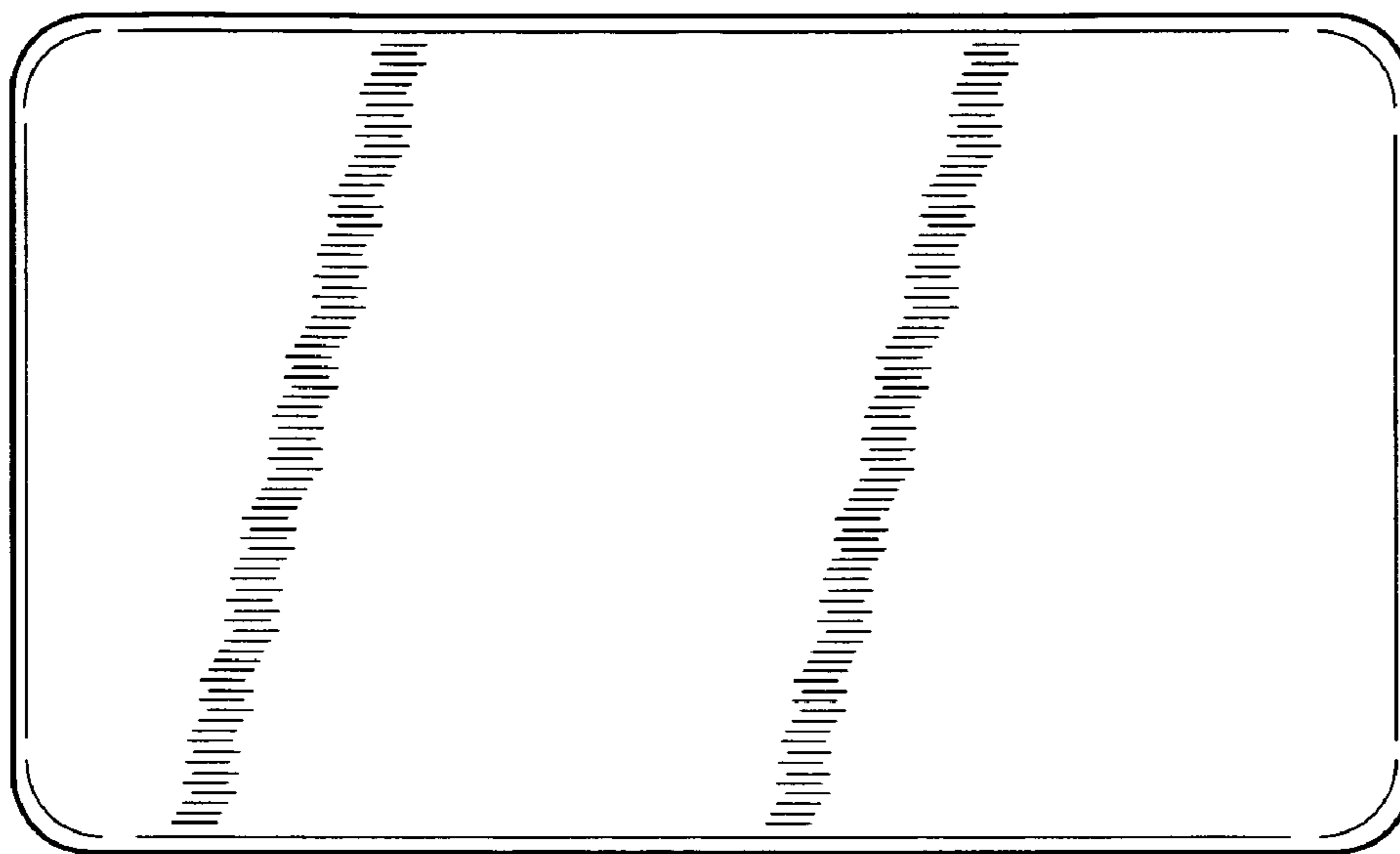


FIG. 3

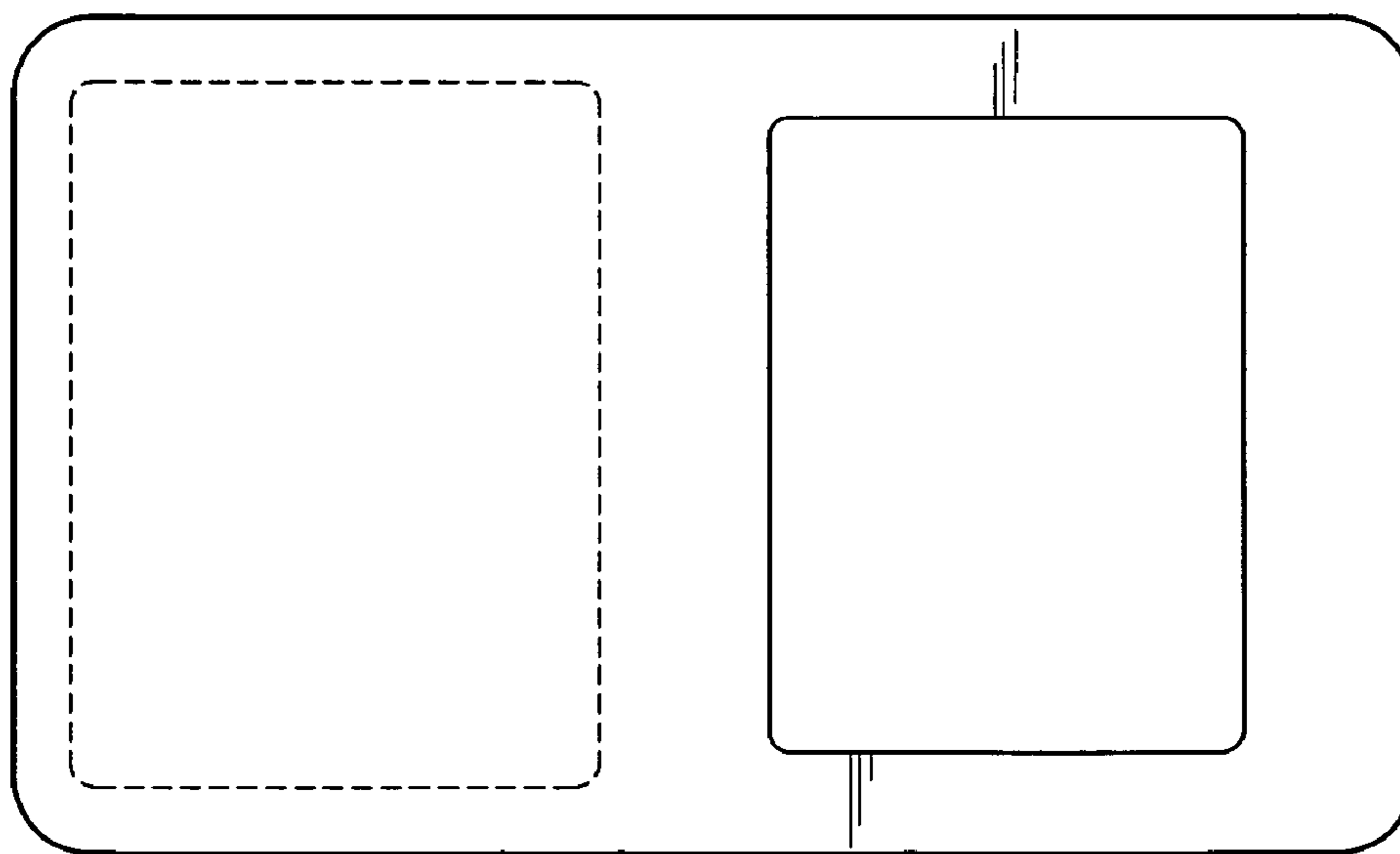


FIG. 2

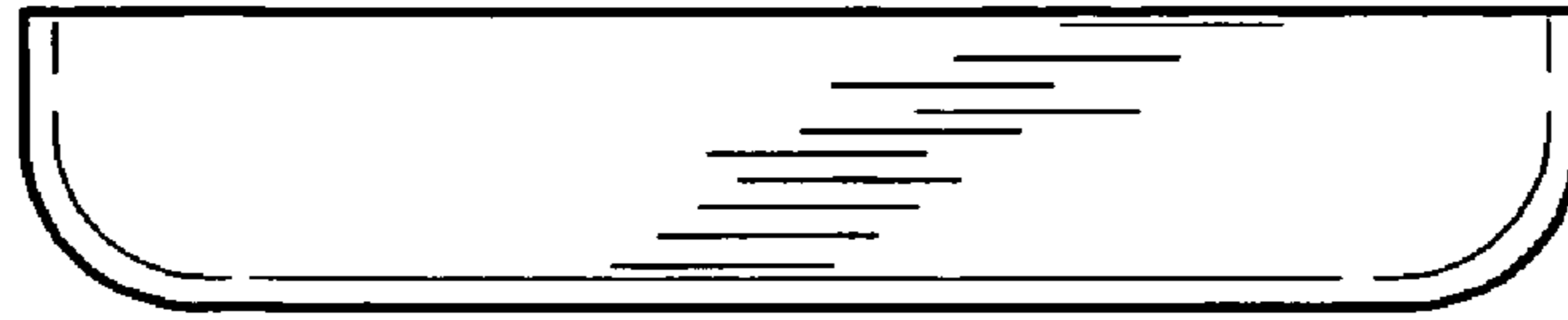


FIG. 4

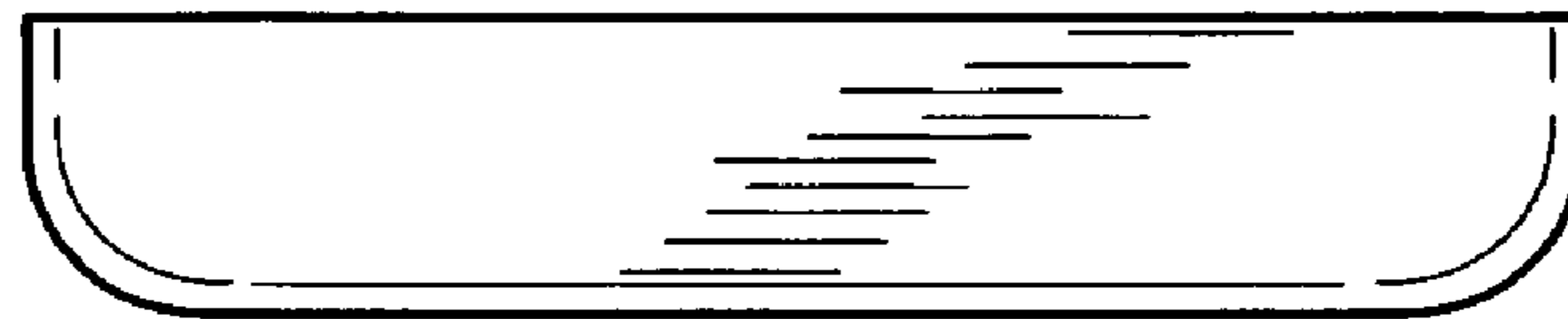


FIG. 5



FIG. 6



FIG. 7