



US00D584301S

(12) **United States Design Patent**  
**Soetejo et al.**

(10) **Patent No.:** **US D584,301 S**  
(45) **Date of Patent:** **\*\* Jan. 6, 2009**

(54) **COMMUNICATION DEVICE**

(75) Inventors: **Juarsa Soetejo**, Singapore (SG); **Kar Choon Ng**, Singapore (SG); **Wei Lit Wilfred Leung**, Singapore (SG); **Qian Hong**, Singapore (SG)

(73) Assignee: **Creative Technology Ltd**, Singapore (SG)

(\*\*) Term: **14 Years**

(21) Appl. No.: **29/292,763**

(22) Filed: **Oct. 25, 2007**

(51) **LOC (9) Cl.** ..... **14-02**

(52) **U.S. Cl.** ..... **D14/327**

(58) **Field of Classification Search** ..... D14/315–331,  
D14/341–346, 316, 318; D18/1, 2, 7, 11;  
403/119; 200/5 A, 5 R, 6 A, 6 R; 345/102,  
345/168, 173; 235/145 A, 145 R; 400/472,  
400/479, 484–489; 361/680–686; 341/22,  
341/23; D19/60

See application file for complete search history.

(56) **References Cited**

**U.S. PATENT DOCUMENTS**

D319,819 S *	9/1991	Kawaguchi	.....	D14/327
5,355,279 A *	10/1994	Lee et al.	.....	361/681
D373,347 S *	9/1996	Ashley et al.	.....	D14/343
D439,897 S *	4/2001	Williams et al.	.....	D14/345
D494,220 S *	8/2004	Yu	.....	D19/60
D532,008 S *	11/2006	Solomon et al.	.....	D14/327
D551,223 S *	9/2007	Luminosu et al.	.....	D14/320

\* cited by examiner

*Primary Examiner*—Freda S Nunn

(74) *Attorney, Agent, or Firm*—Kennedy Koblin

(57) **CLAIM**

The ornamental design for a communication device, substantially as shown and described.

**DESCRIPTION**

FIG. 1 is a perspective view of the communication device in accordance with the present design, showing the screen in a partially-open position that represents an expected configuration of the design;

FIG. 2 is a front view of the communication device of FIG. 1 in a configuration in which the screen is shown in a fully-open position that is useful for illustrating the appearance of the various components of the apparatus in orthographic views, but is not a required configuration of the design;

FIG. 3 is a rear view of the communication device in the configuration of FIG. 2;

FIG. 4 is a bottom view of the communication device in the configuration of FIG. 2;

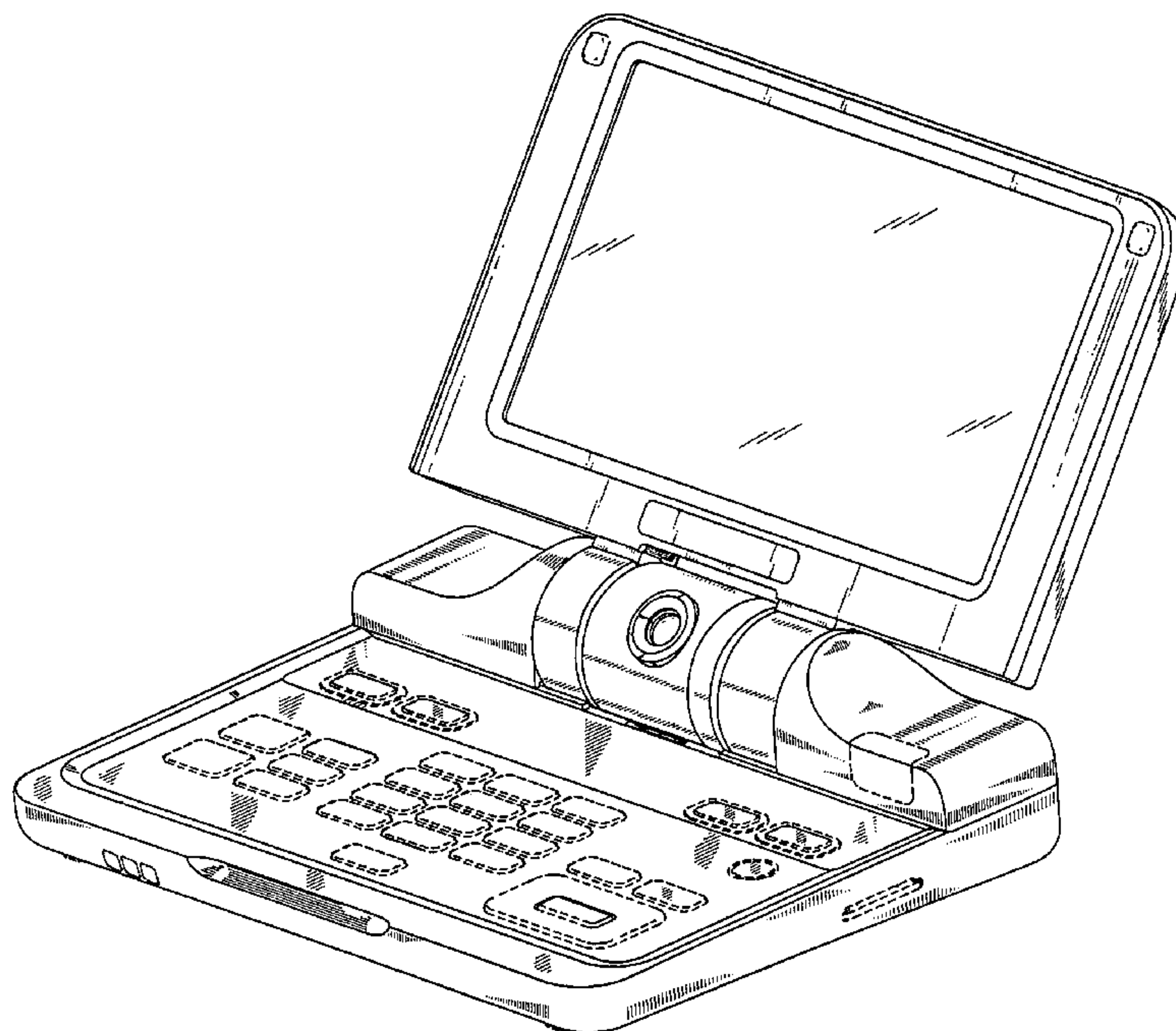
FIG. 5 is a top view of the communication device in the configuration of FIG. 2;

FIG. 6 is a right sideview of the communication device in the configuration of FIG. 2; and,

FIG. 7 is a left side view of the communication device in the configuration of FIG. 2.

The elements illustrated in broken lines in the drawings figures are considered environmental only and do not form a part of the claimed design.

**1 Claim, 5 Drawing Sheets**



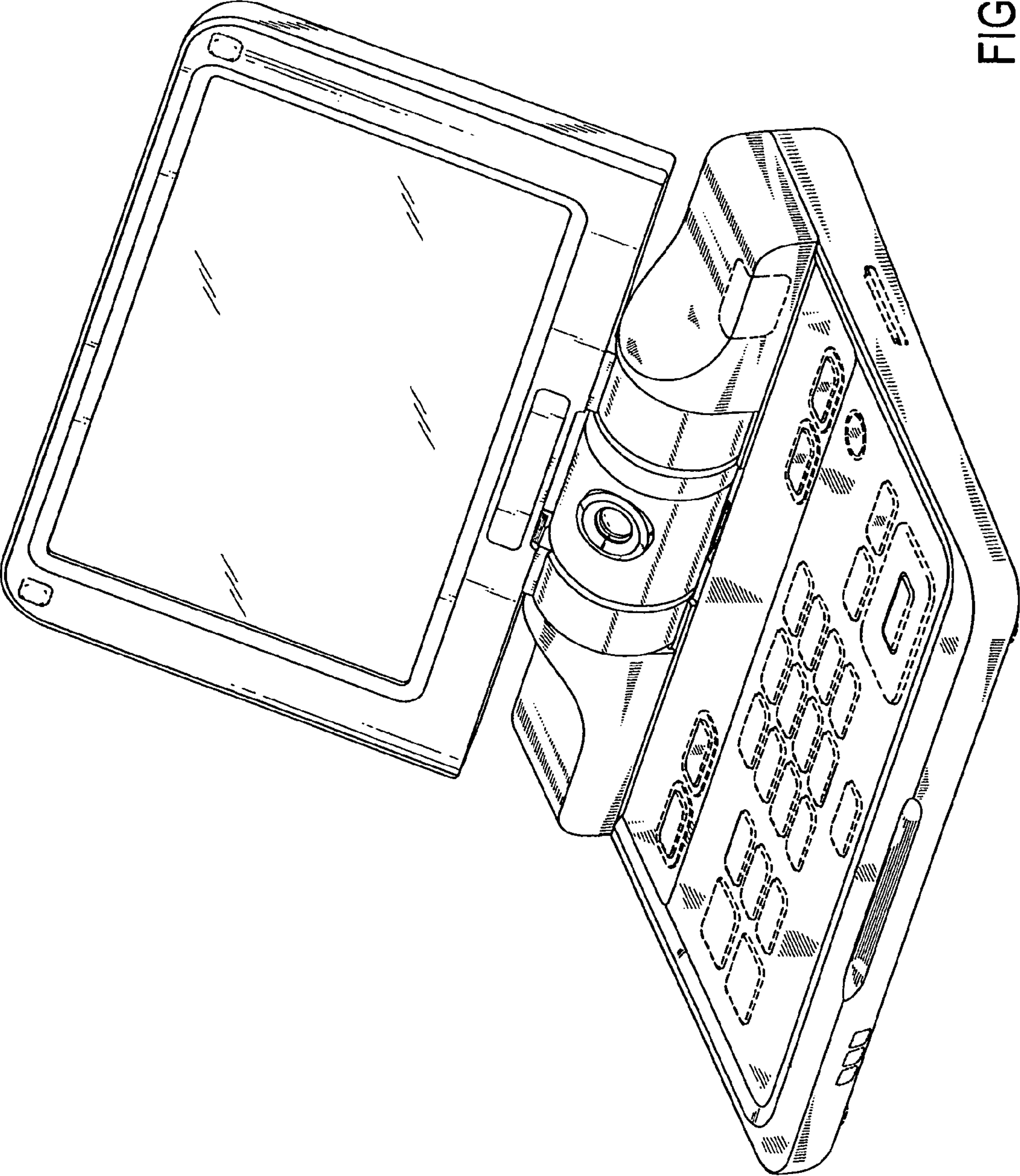


FIG. 1

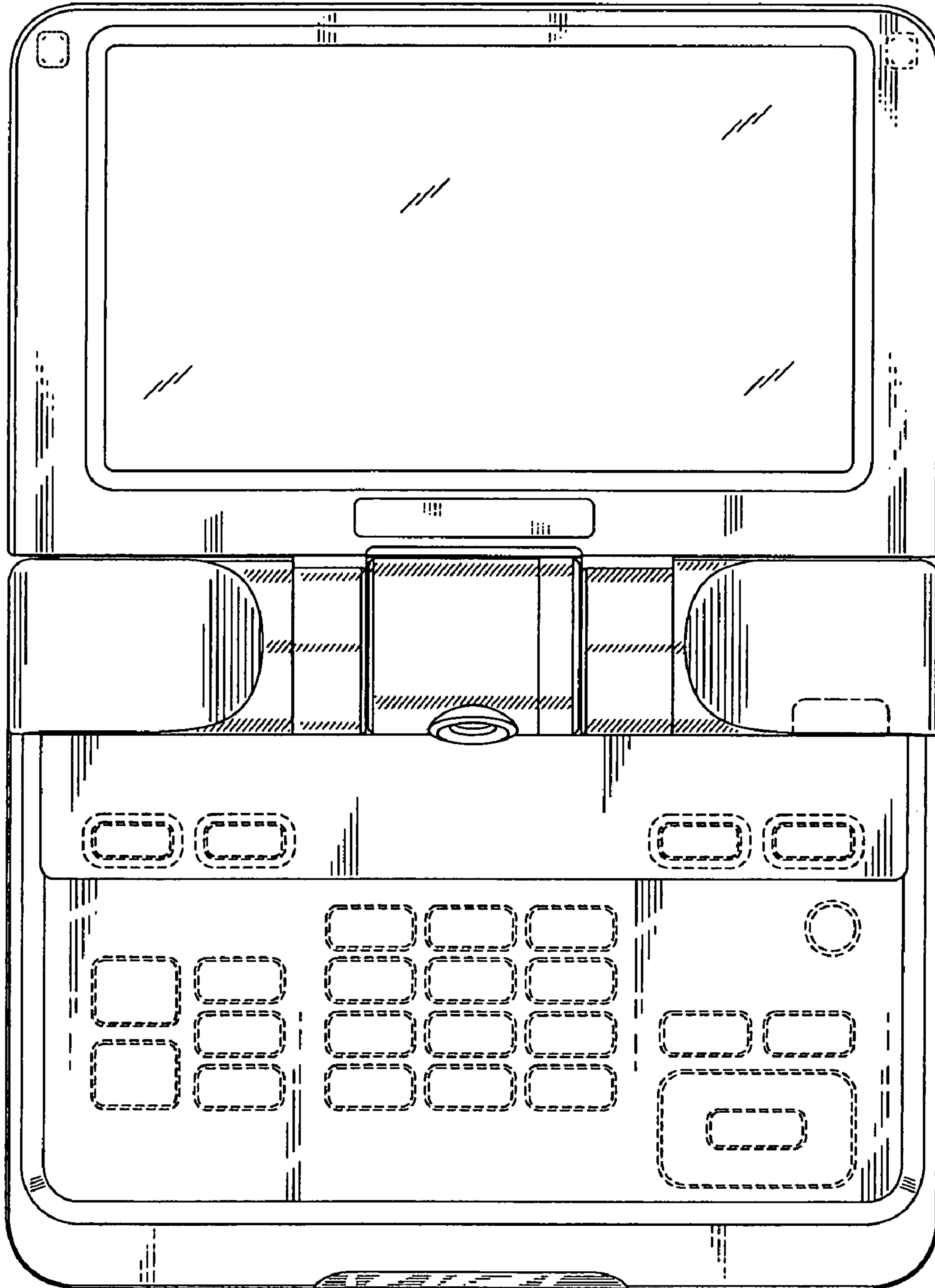


FIG. 2



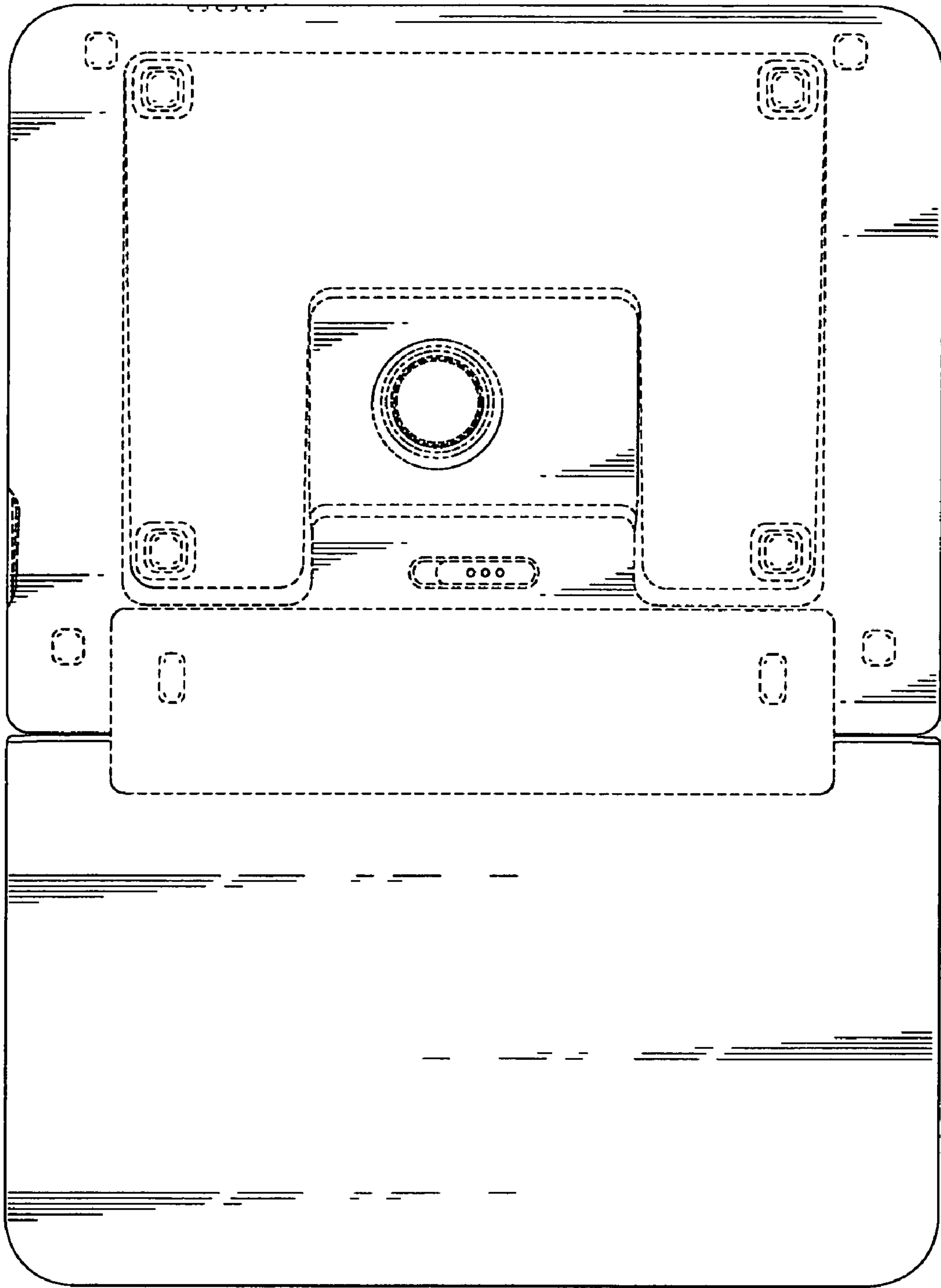


FIG. 3

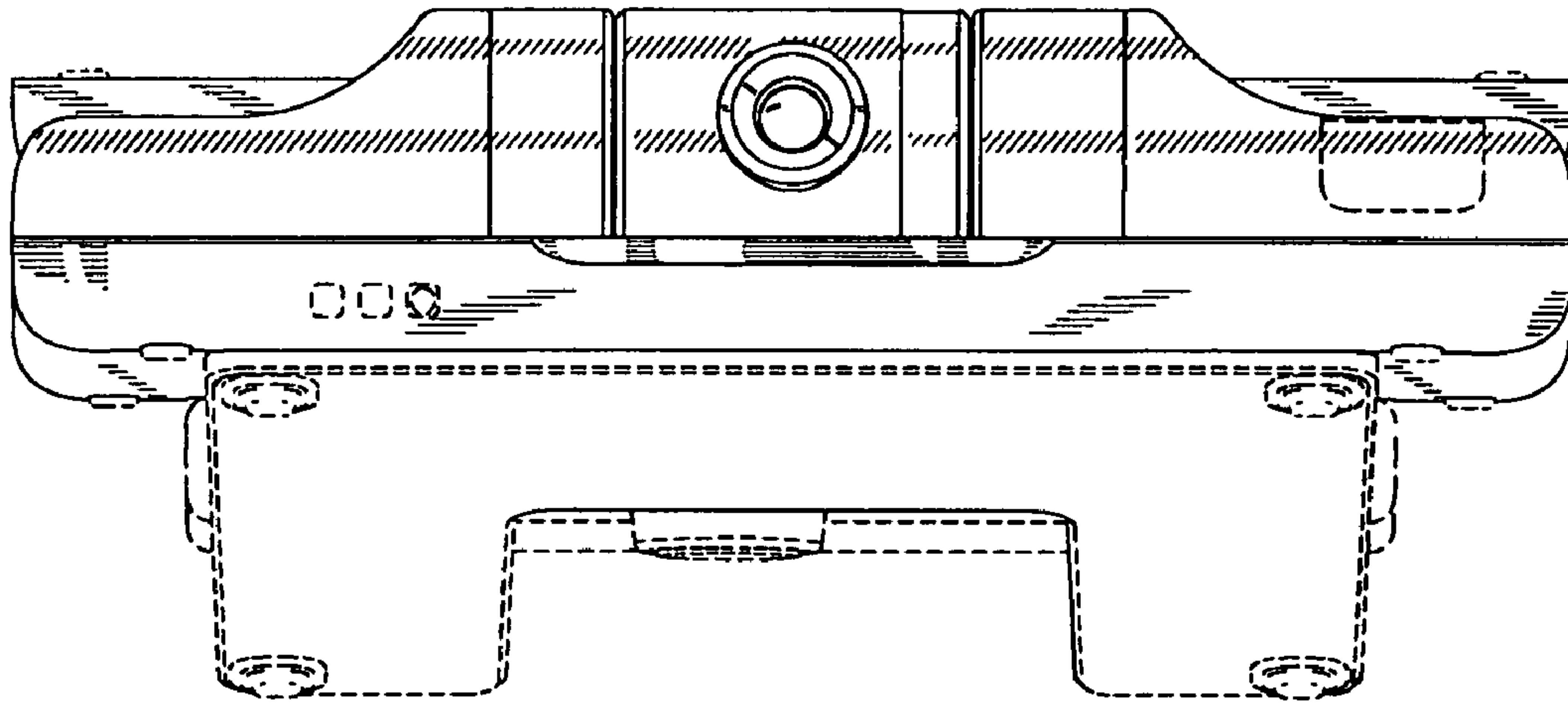


FIG. 4

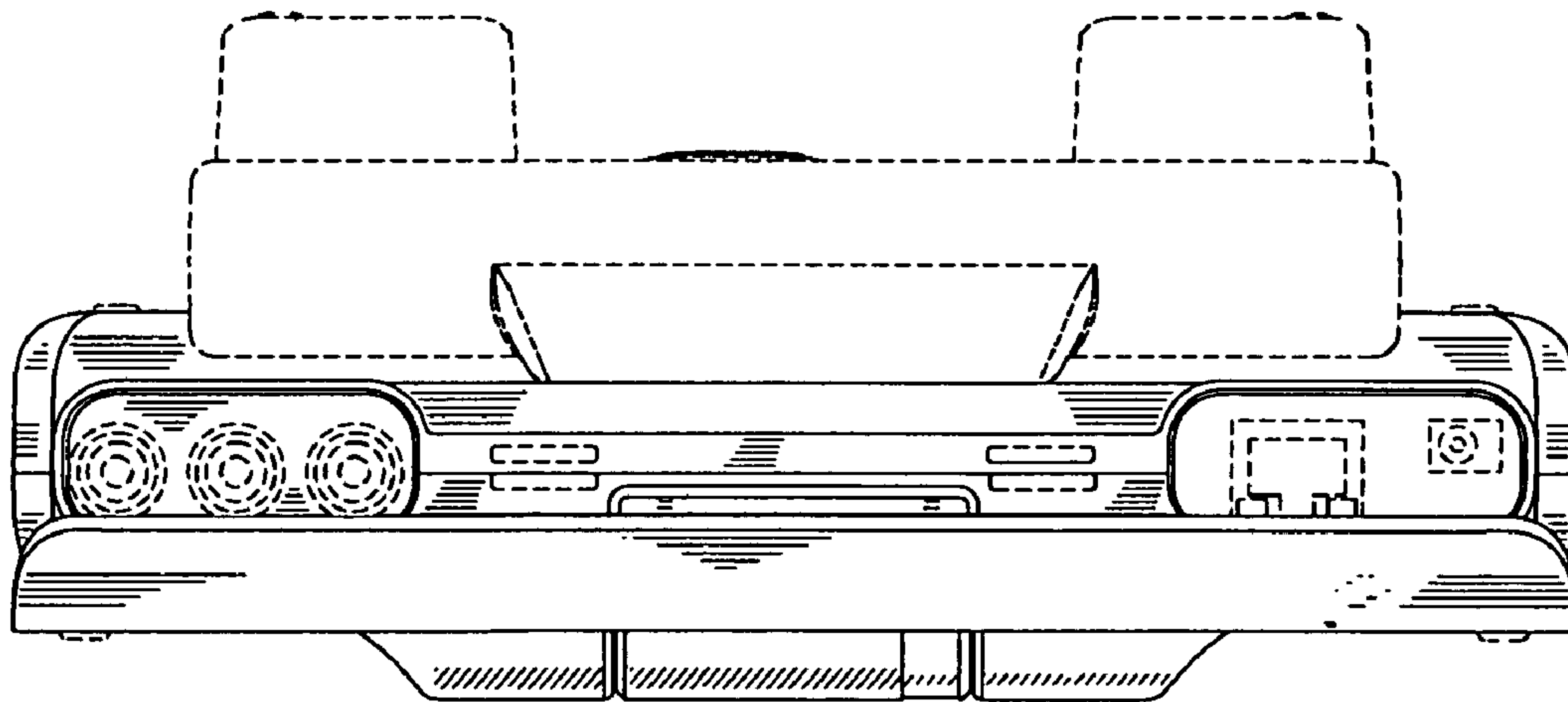


FIG. 5

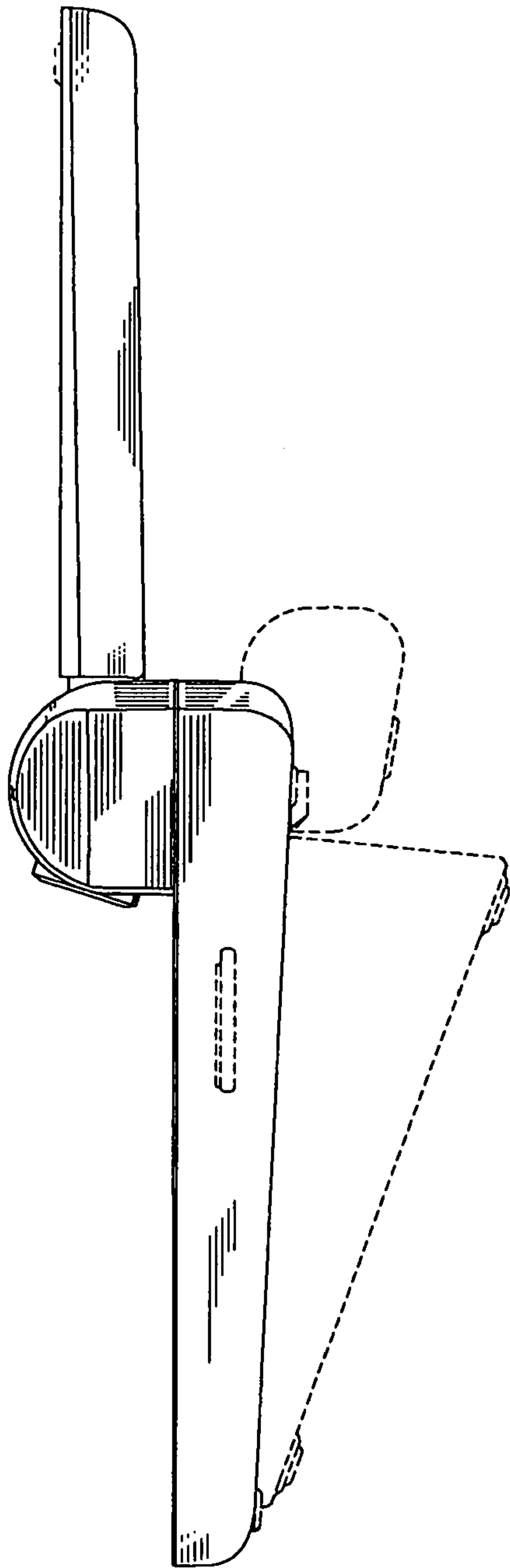


FIG. 6

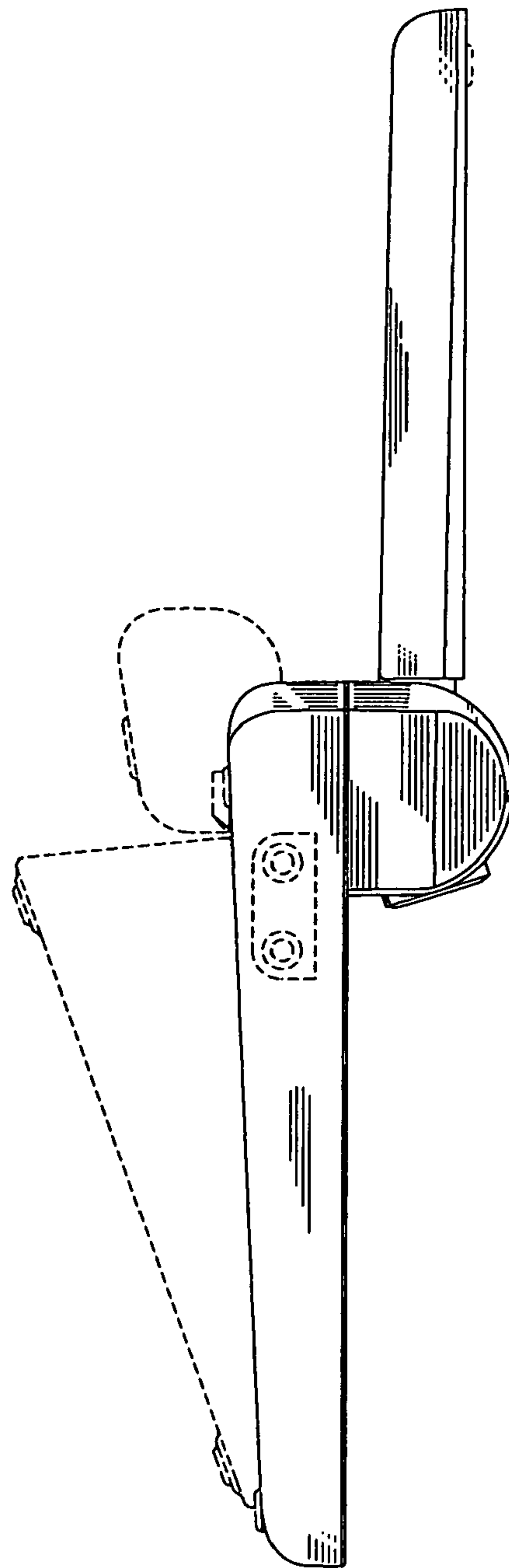


FIG. 7