



US00D584300S

(12) **United States Design Patent**
Masuyama

(10) **Patent No.:** **US D584,300 S**
(45) **Date of Patent:** **** Jan. 6, 2009**

(54) **PERSONAL COMPUTER**

(75) Inventor: **Nobuharu Masuyama**, Yokohama (JP)

(73) Assignee: **Fujitsu Limited**, Kawasaki (JP)

(**) Term: **14 Years**

(21) Appl. No.: **29/287,810**

(22) Filed: **Sep. 21, 2007**

(30) **Foreign Application Priority Data**

Mar. 22, 2007 (JP) 2007-007252

(51) **LOC (9) Cl.** **14-02**

(52) **U.S. Cl.** **D14/315**

(58) **Field of Classification Search** D14/315-323,
D14/341-346; D18/1, 2, 7, 11; 235/145 A,
235/145 R; 248/460; 345/156, 168, 169,
345/172, 173; 361/680-686; 349/12; 178/18.03;
434/307 R, 317, 308, 309

See application file for complete search history.

(56) **References Cited**

U.S. PATENT DOCUMENTS

- 6,262,885 B1 * 7/2001 Emma et al. 361/683
- 6,464,195 B1 * 10/2002 Hildebrandt 248/460
- D482,687 S * 11/2003 Chu D14/316
- 6,665,175 B1 * 12/2003 deBoer et al. 361/681
- D499,725 S * 12/2004 Lee D14/316
- D528,541 S * 9/2006 Maskatia D14/315
- 2004/0228076 A1 * 11/2004 Clapper 361/681

- 2005/0063145 A1 * 3/2005 Homer et al. 361/683
- 2005/0128695 A1 * 6/2005 Han 361/683

* cited by examiner

Primary Examiner—Freda S Nunn

(74) *Attorney, Agent, or Firm*—Staas & Halsey LLP

(57) **CLAIM**

The ornamental design for a personal computer, as shown and described.

DESCRIPTION

FIG. 1 is a perspective view of front, bottom and right side of a personal computer showing my new design;

FIG. 2 is a top plan view thereof;

FIG. 3 is a front view thereof;

FIG. 4 is a rear view thereof;

FIG. 5 is a bottom view thereof;

FIG. 6 is a left side view thereof;

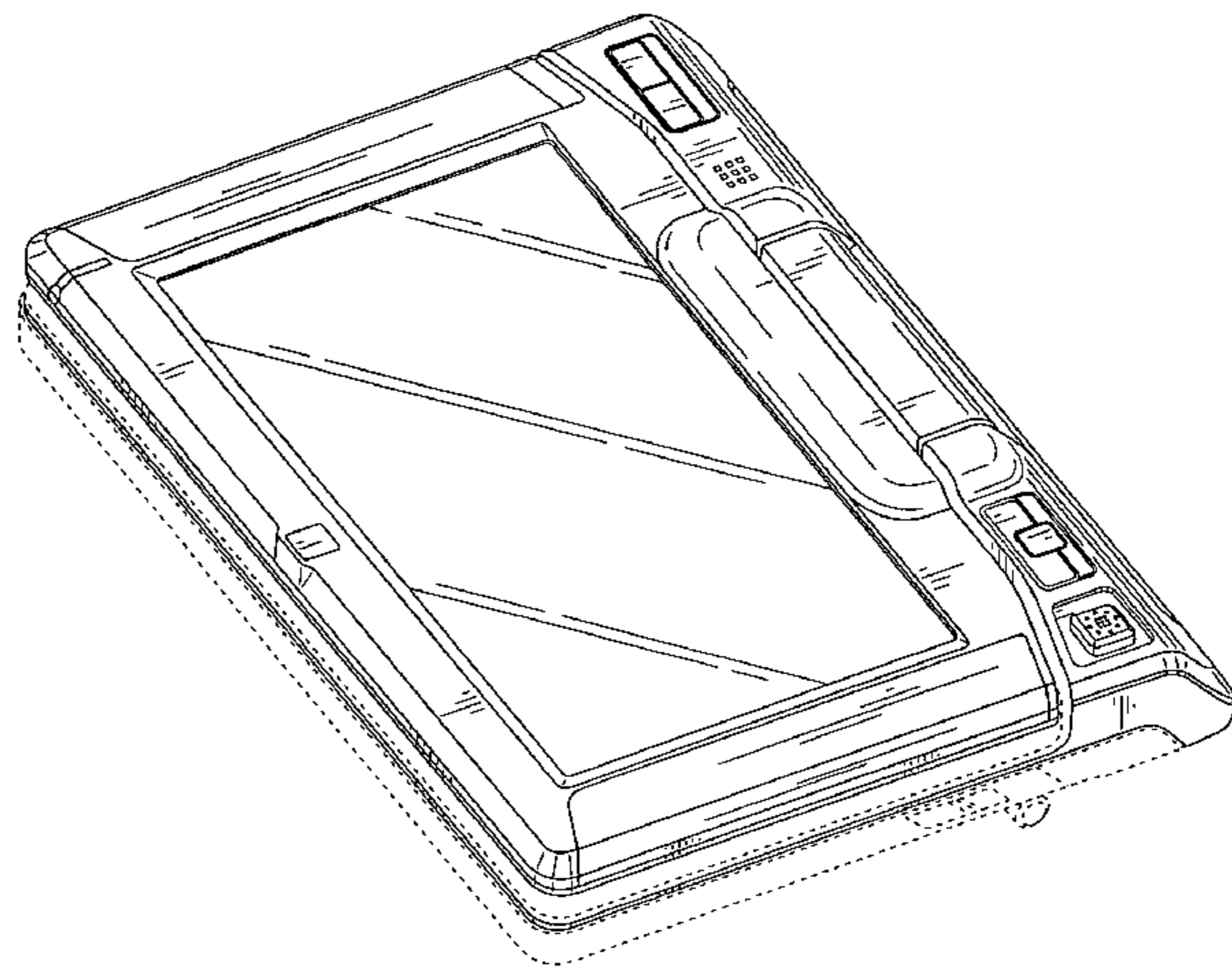
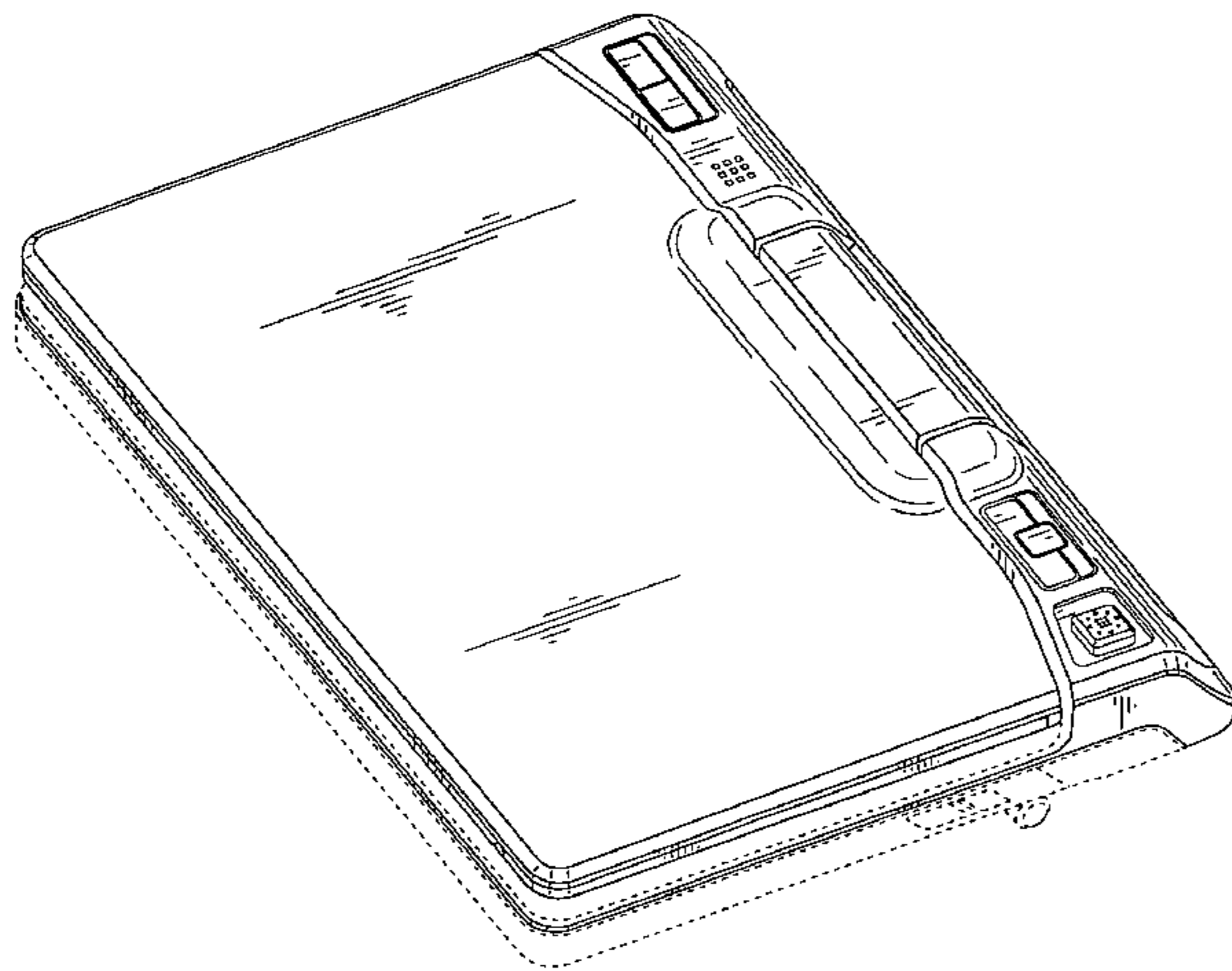
FIG. 7 is a right side view thereof;

FIG. 8 is a perspective view with the display portion in pivoted position thereof; and,

FIG. 9 is a perspective view with the display portion in open condition thereof.

The portions of the article in broken lines are shown for illustrative purposes only and form no part of the claimed design.

1 Claim, 6 Drawing Sheets



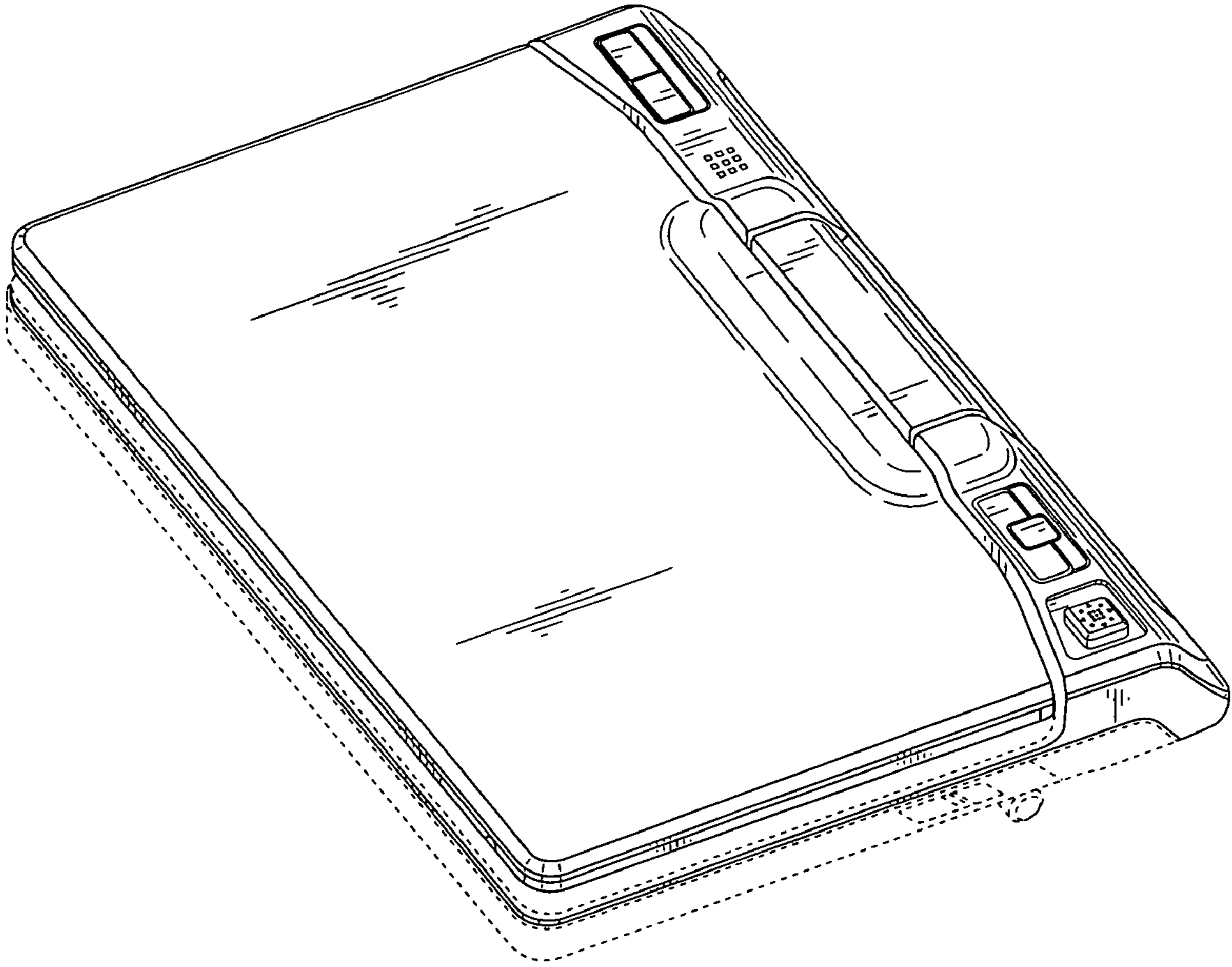


FIG. 1

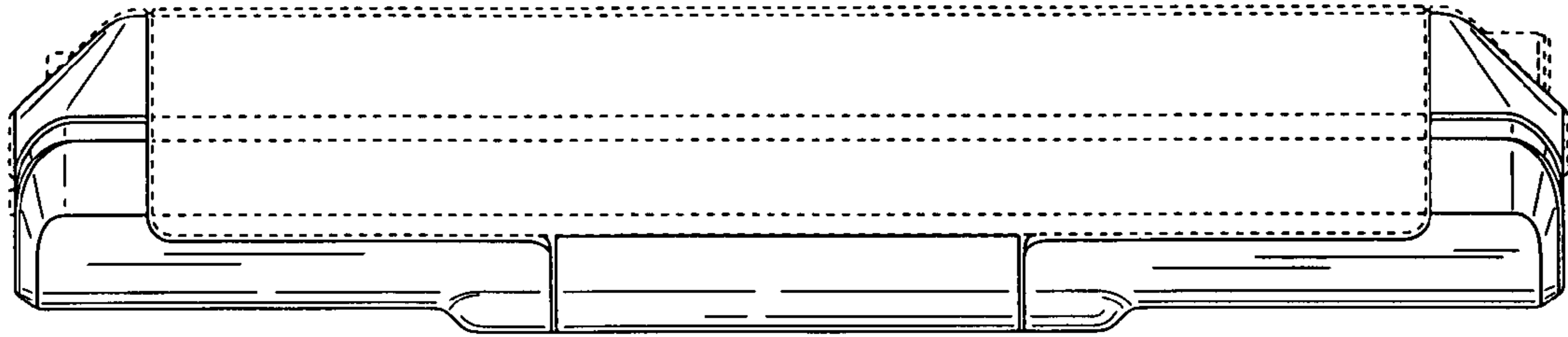


FIG. 2

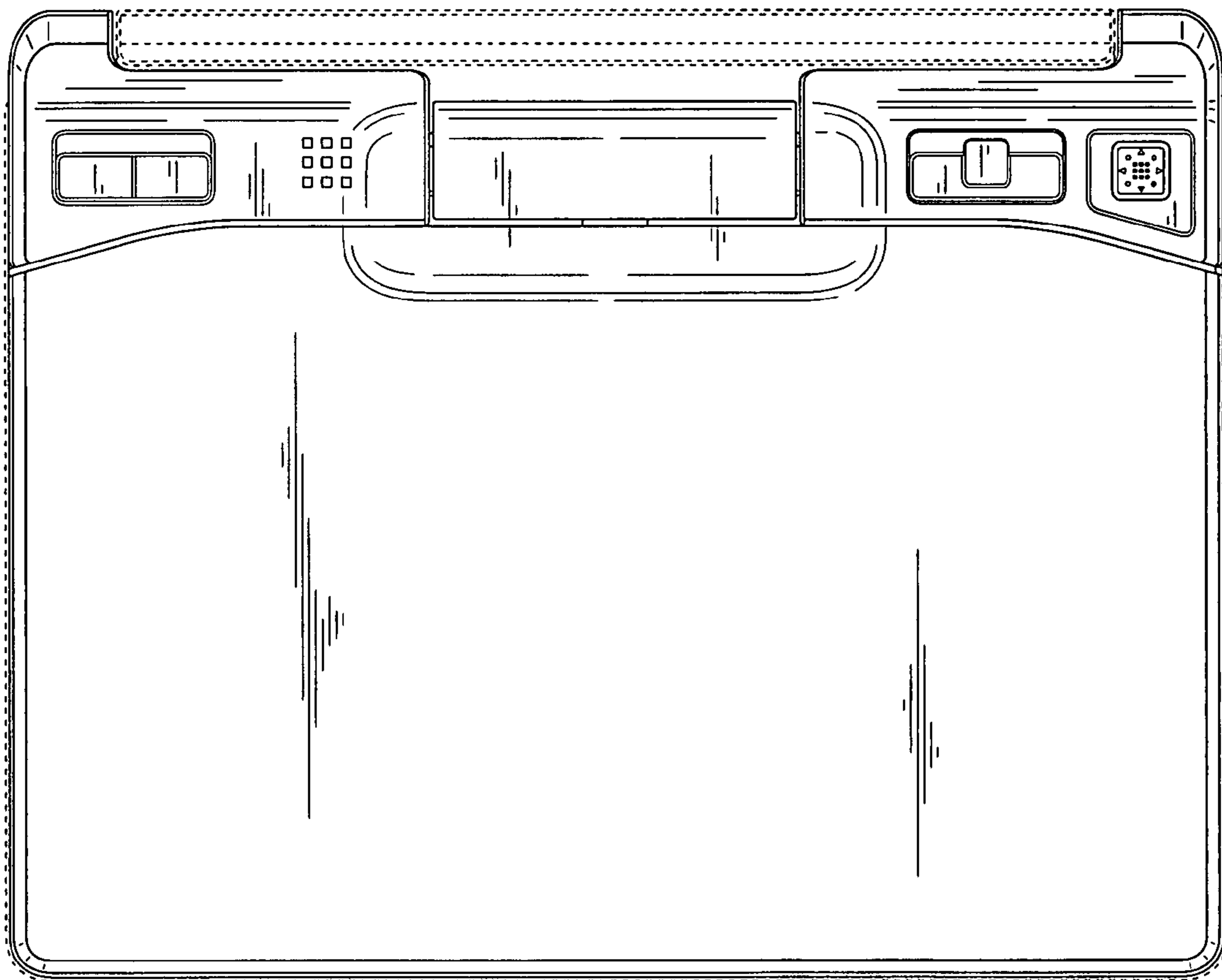


FIG. 3

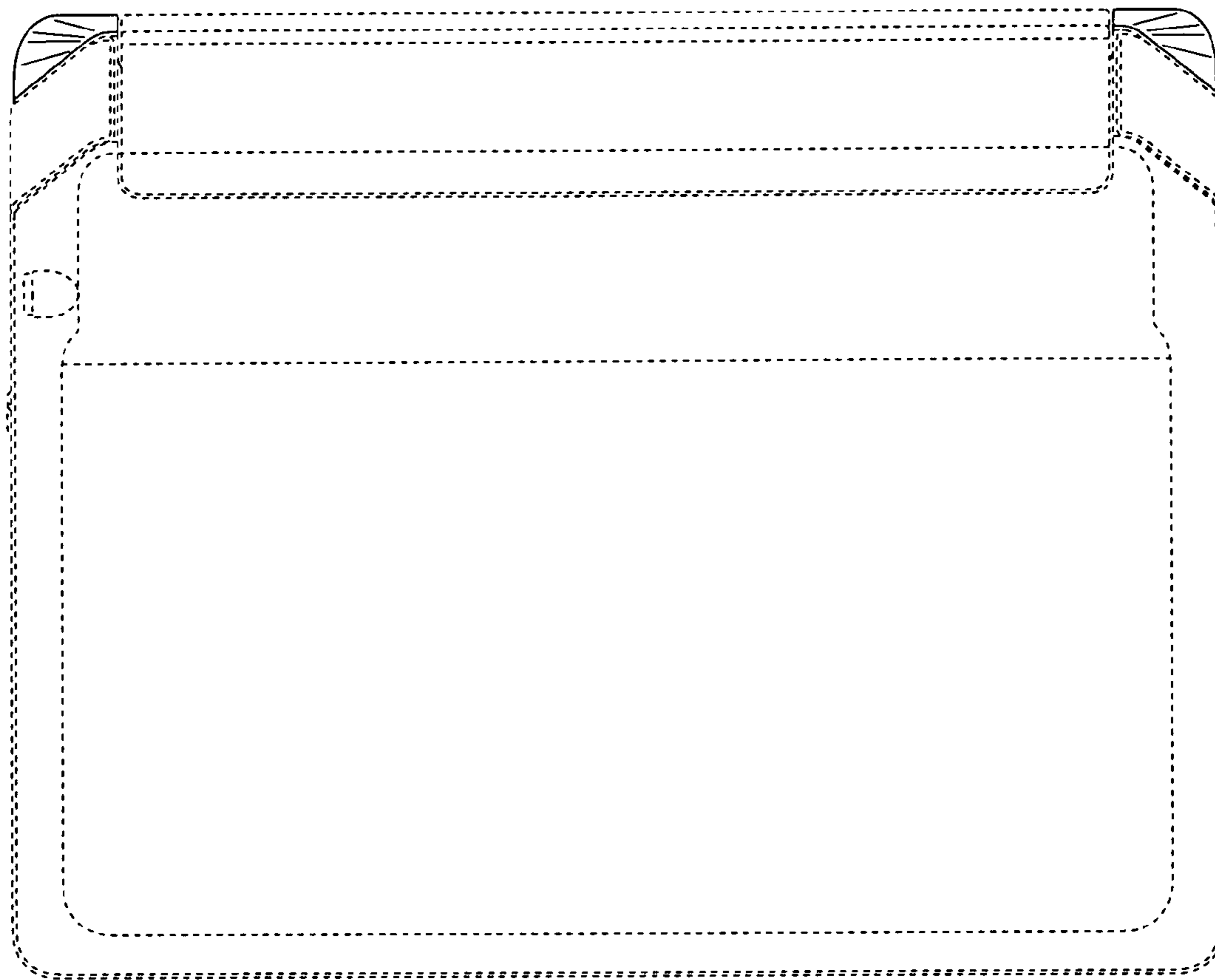


FIG. 4

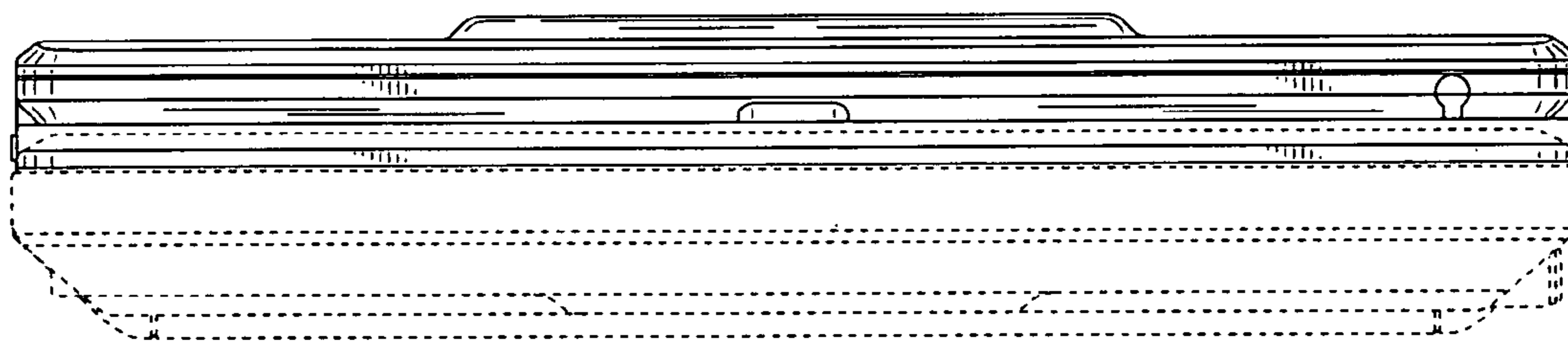


FIG. 5

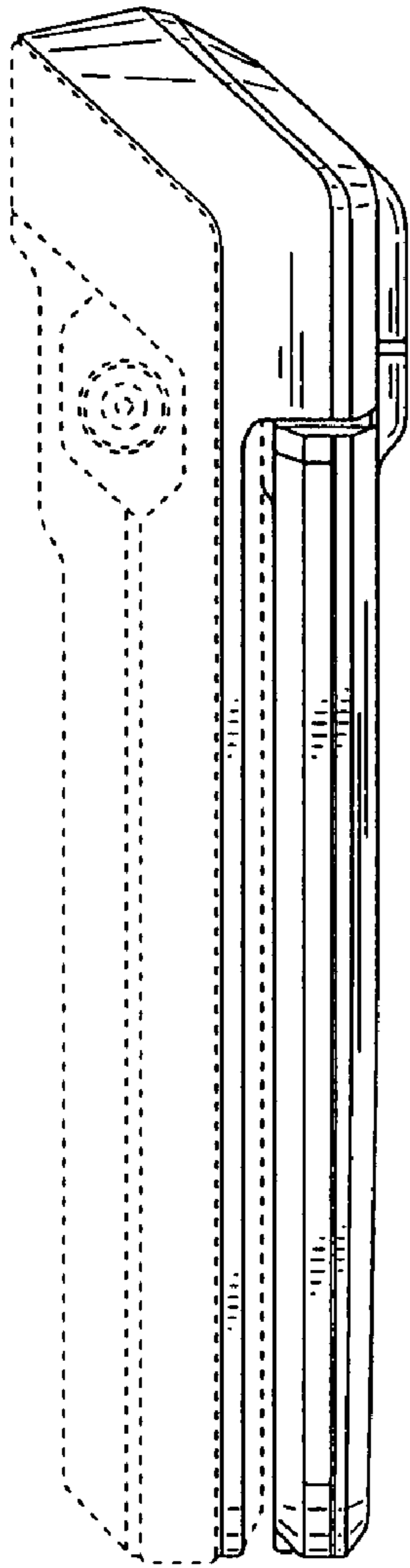


FIG. 6

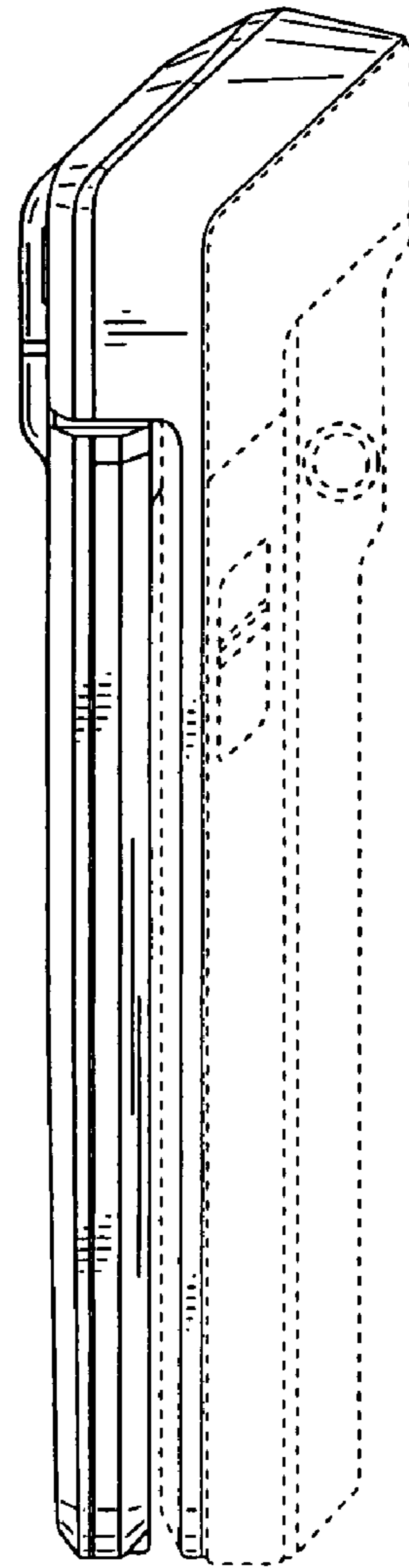


FIG. 7

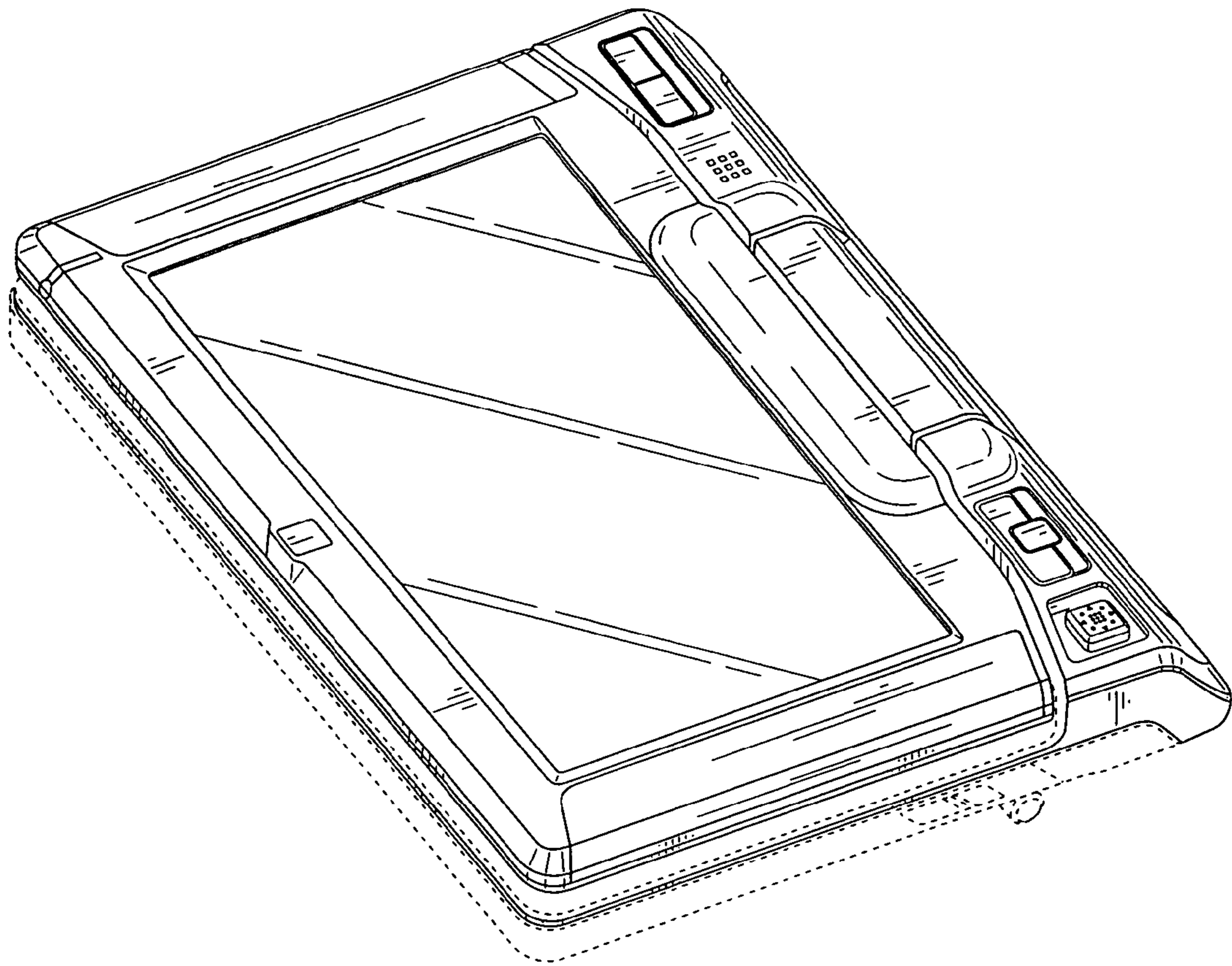


FIG. 8

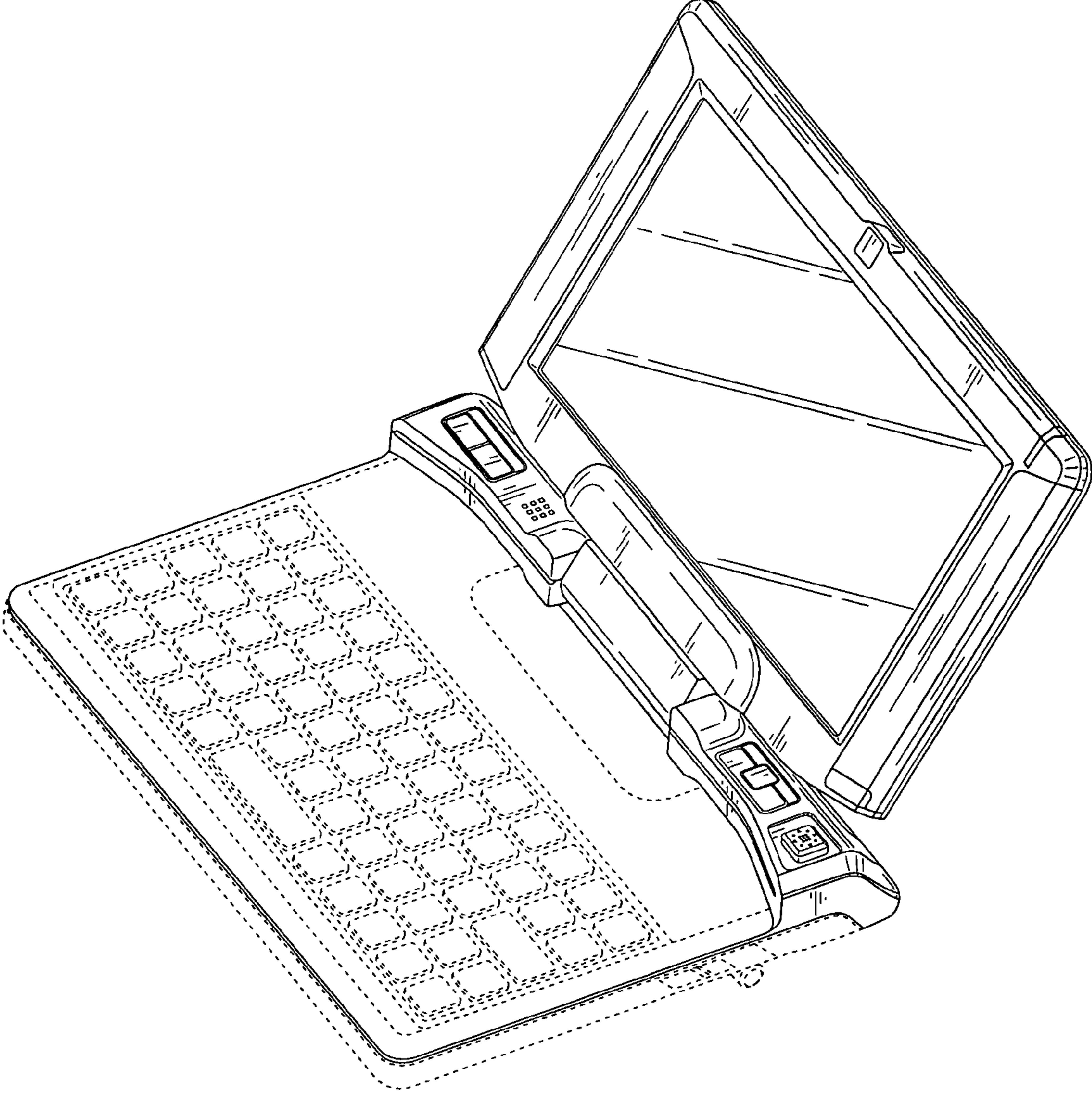


FIG. 9