



US00D584291S

(12) **United States Design Patent**  
**Tsao**

(10) **Patent No.:** **US D584,291 S**  
(45) **Date of Patent:** **\*\* Jan. 6, 2009**

(54) **REMOTE CONTROL**

(75) Inventor: **Chun-Lei Tsao**, Taipei (TW)

(73) Assignee: **Hannspree, Inc.**, Taipei (TW)

(\*\*) Term: **14 Years**

(21) Appl. No.: **29/309,106**

(22) Filed: **Jun. 23, 2008**

(51) **LOC (9) Cl.** ..... **14-03**

(52) **U.S. Cl.** ..... **D14/218; D13/168**

(58) **Field of Classification Search** ..... D14/218,  
D14/455, 138; D13/168; D21/566; D10/104,  
D10/106; 345/169; 348/14.05, 114, 211.99,  
348/734; 340/825.24, 825.69; 341/22; 455/92,  
455/95, 128, 151.1–151.4, 352, 355, FOR. 121;  
700/65

See application file for complete search history.

(56) **References Cited**

**U.S. PATENT DOCUMENTS**

D306,588 S *	3/1990	Kashiwagi	.....	D14/163
D319,229 S *	8/1991	Hino et al.	.....	D14/126
D335,880 S *	5/1993	Kanatani et al.	.....	D14/165
D446,554 S *	8/2001	Gautieri et al.	.....	D21/405
D467,911 S *	12/2002	Lee	.....	D14/243
D487,733 S *	3/2004	Lucaci et al.	.....	D14/138 AC

D493,155 S *	7/2004	Robertson et al.	.....	D14/137
D506,982 S *	7/2005	Murtaugh et al.	.....	D13/168
D513,233 S *	12/2005	Stauffer	.....	D13/168
D550,654 S *	9/2007	Miyawaki	.....	D14/218
D572,206 S *	7/2008	Ikeda et al.	.....	D13/168
2005/0024321 A1 *	2/2005	Tsai	.....	345/156
2005/0270270 A1 *	12/2005	Chadha	.....	345/157

\* cited by examiner

*Primary Examiner*—T. Chase Nelson

*Assistant Examiner*—John Windmuller

(74) *Attorney, Agent, or Firm*—Reed Smith LLP; Stanley P. Fisher, Esq.; Juan Carlos A. Marquez, Esq.

(57) **CLAIM**

The ornamental design for a remote control, as shown and described.

**DESCRIPTION**

FIG. 1 is a front perspective view thereof;

FIG. 2 is a front elevational view thereof;

FIG. 3 is a rear elevational view thereof;

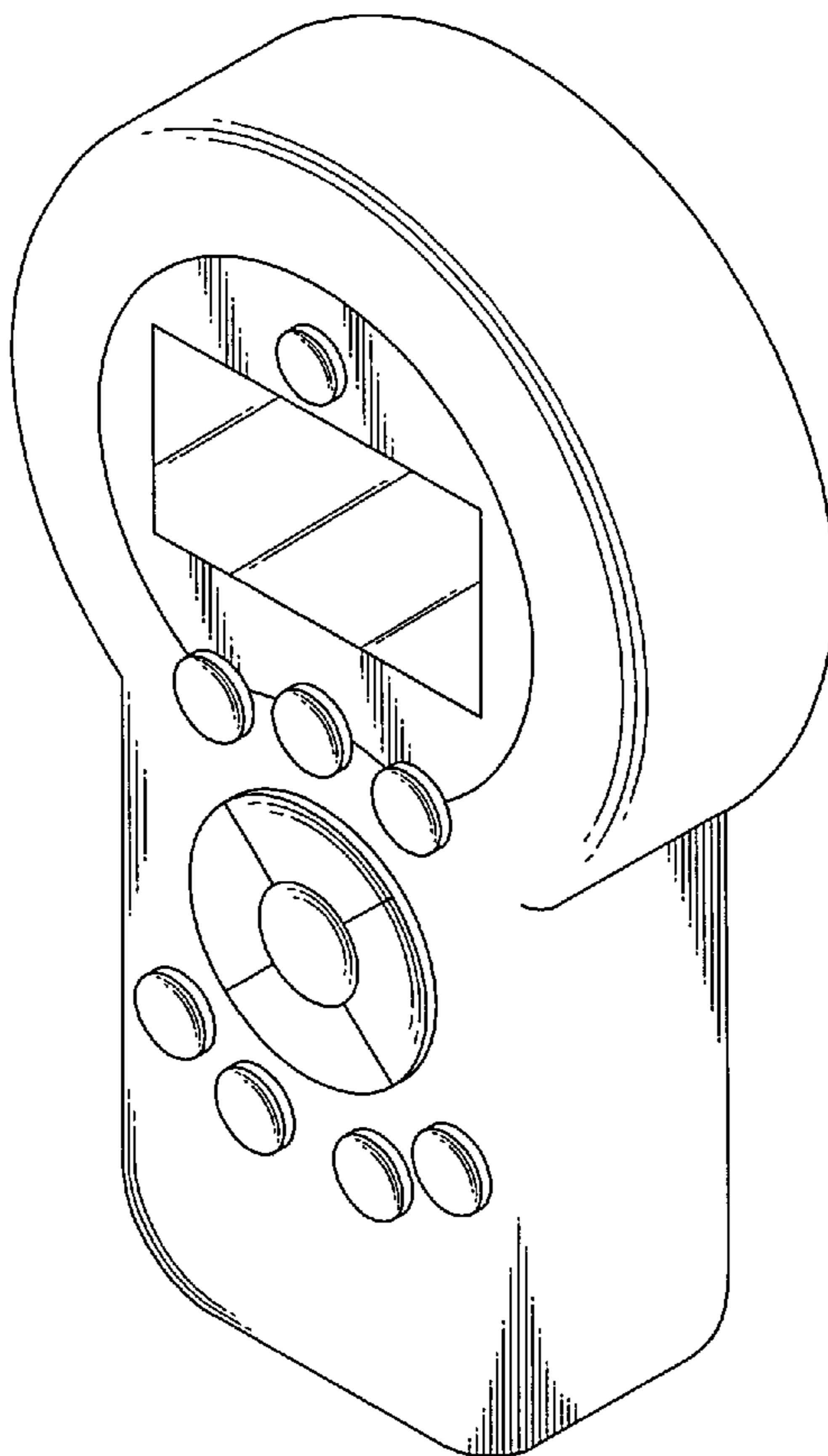
FIG. 4 is a left side elevational view thereof;

FIG. 5 is a right side elevational view thereof;

FIG. 6 is a top plan view thereof; and,

FIG. 7 is a bottom plan view thereof.

**1 Claim, 7 Drawing Sheets**



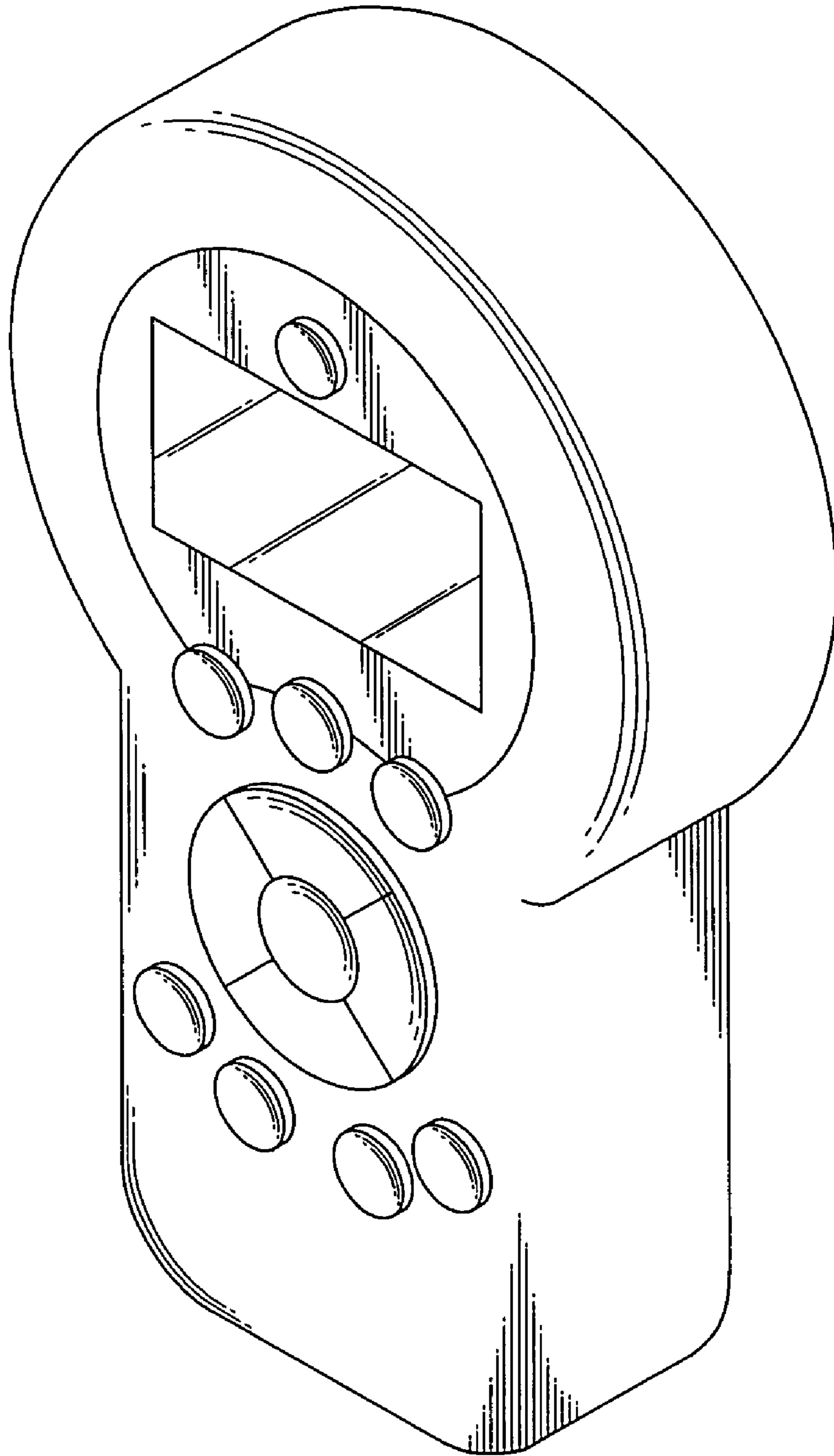


Fig. 1

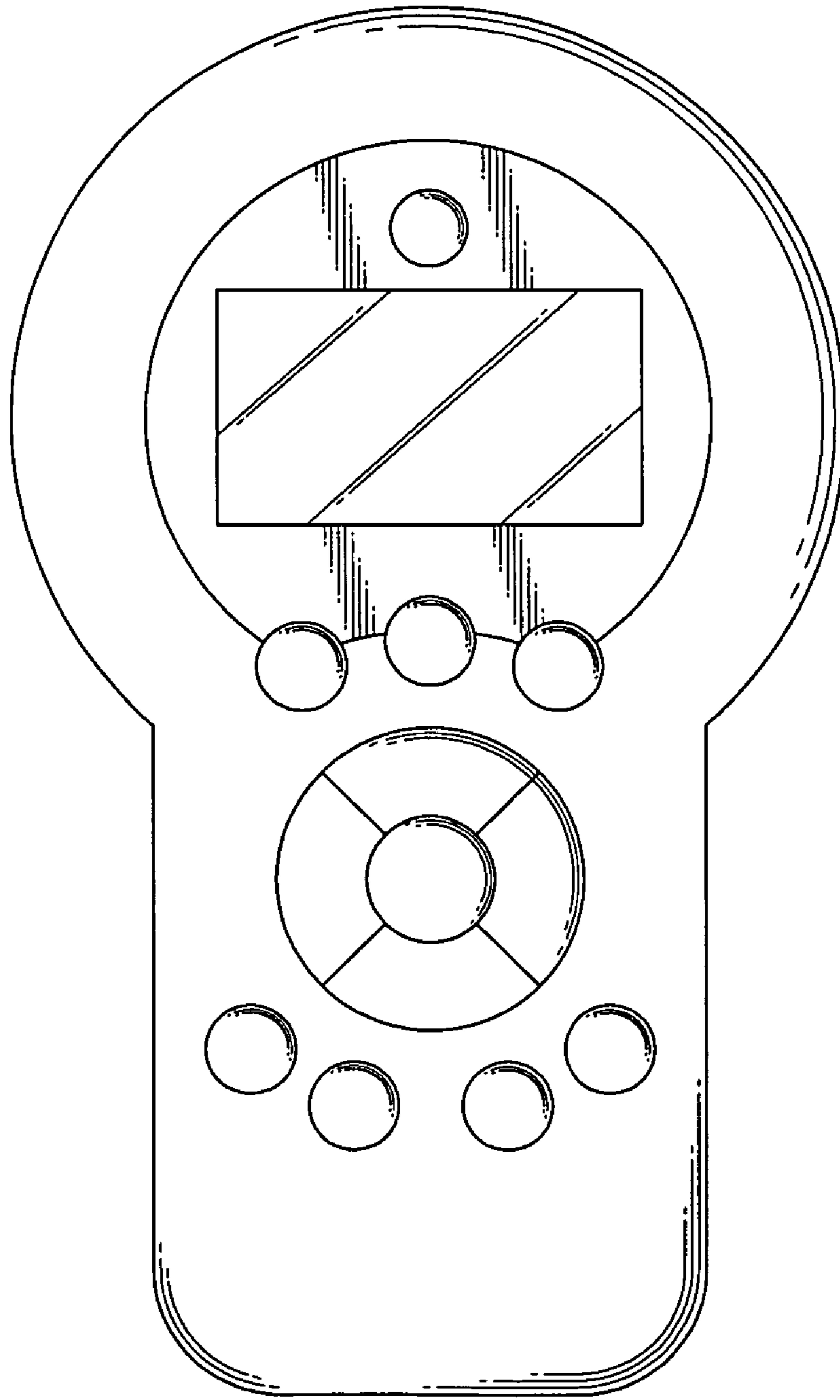


Fig. 2

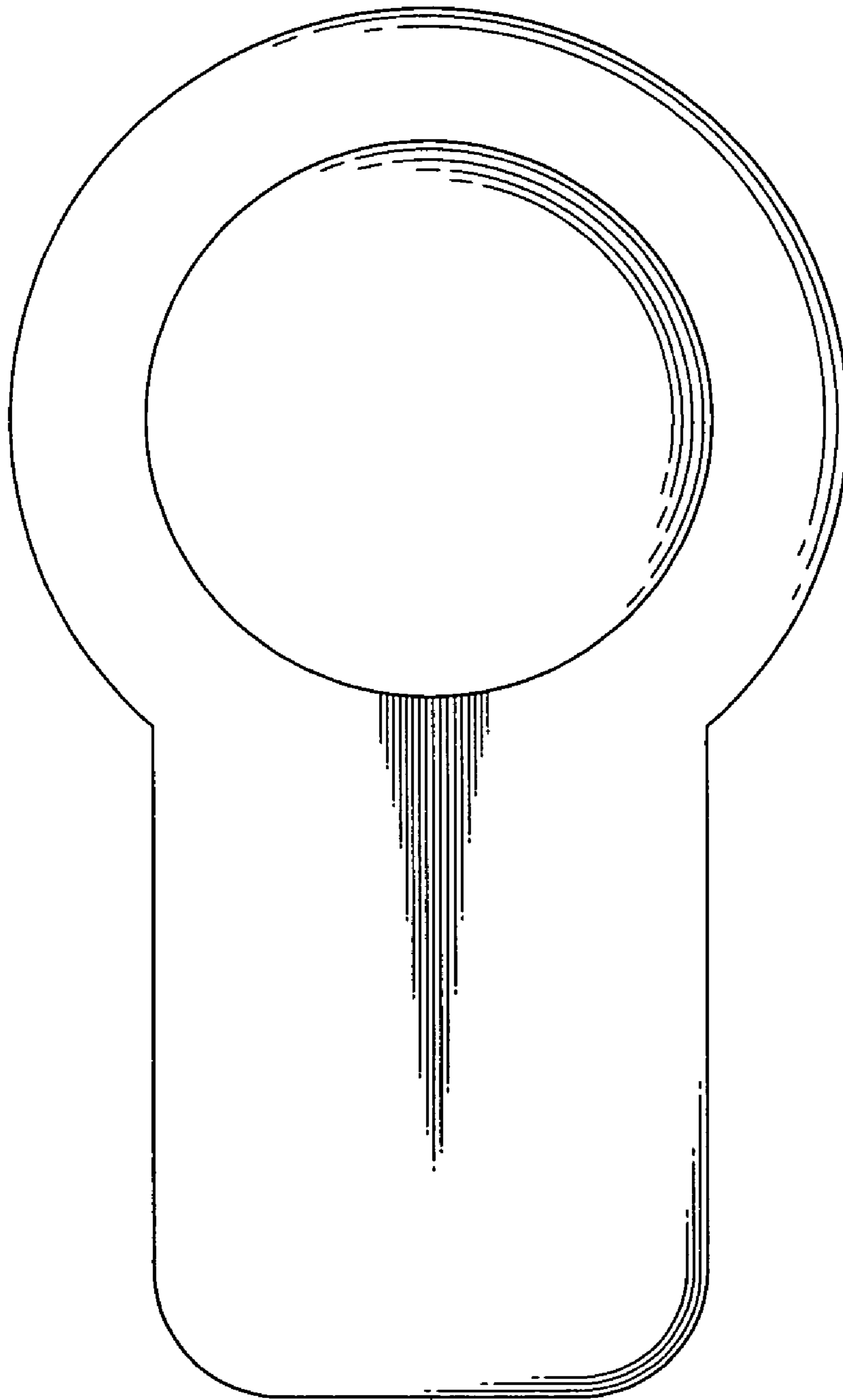


Fig. 3

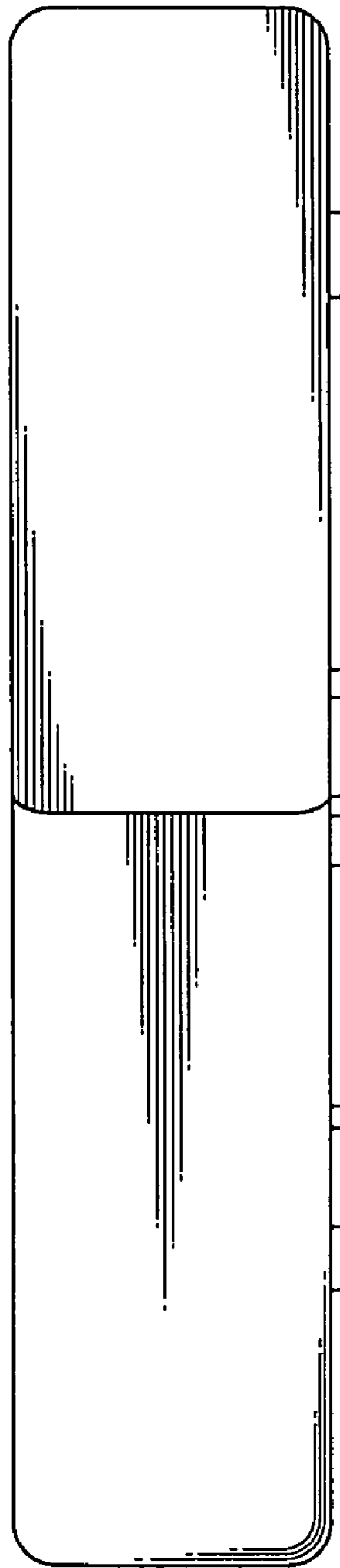


Fig. 4

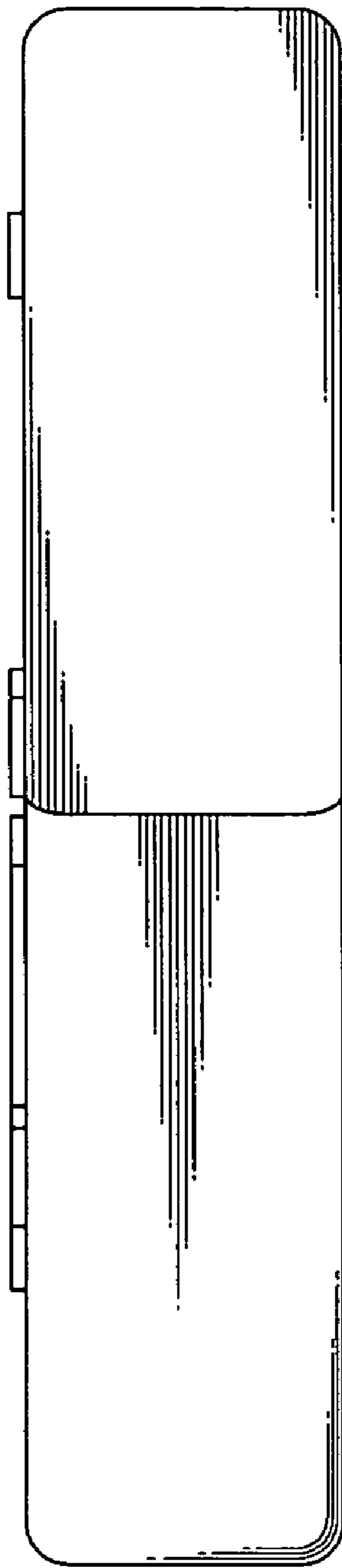


Fig. 5

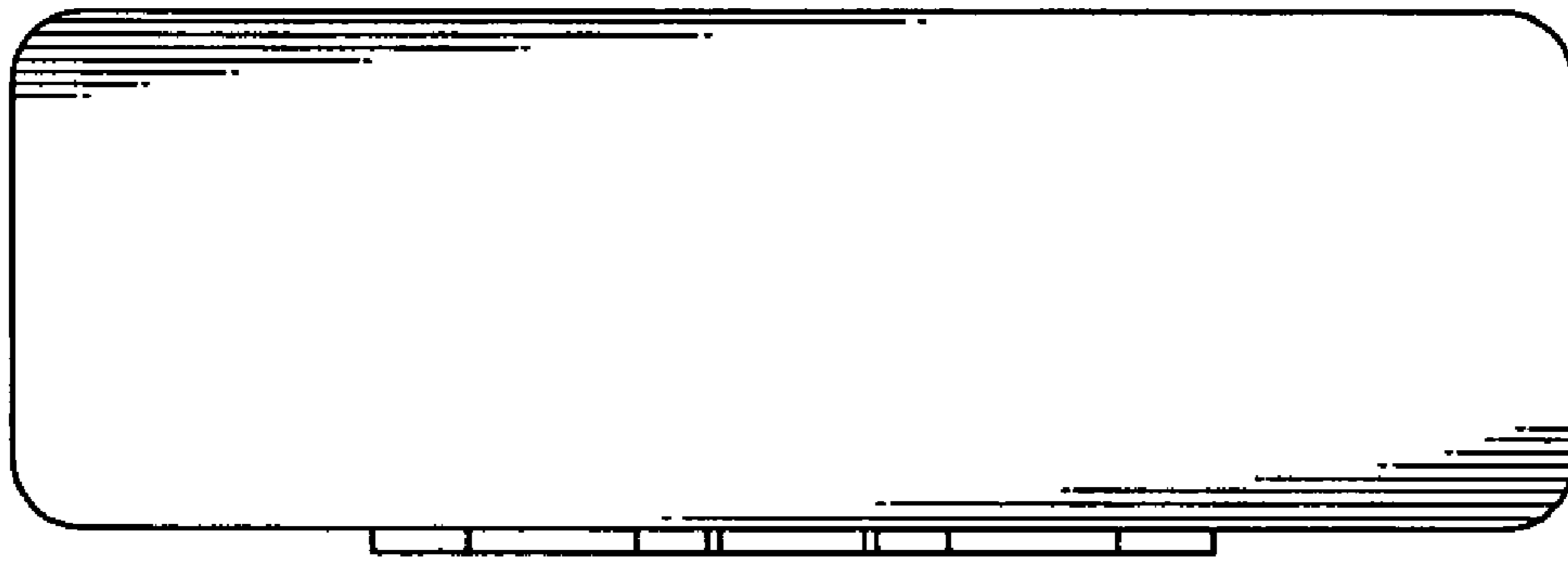


Fig. 6

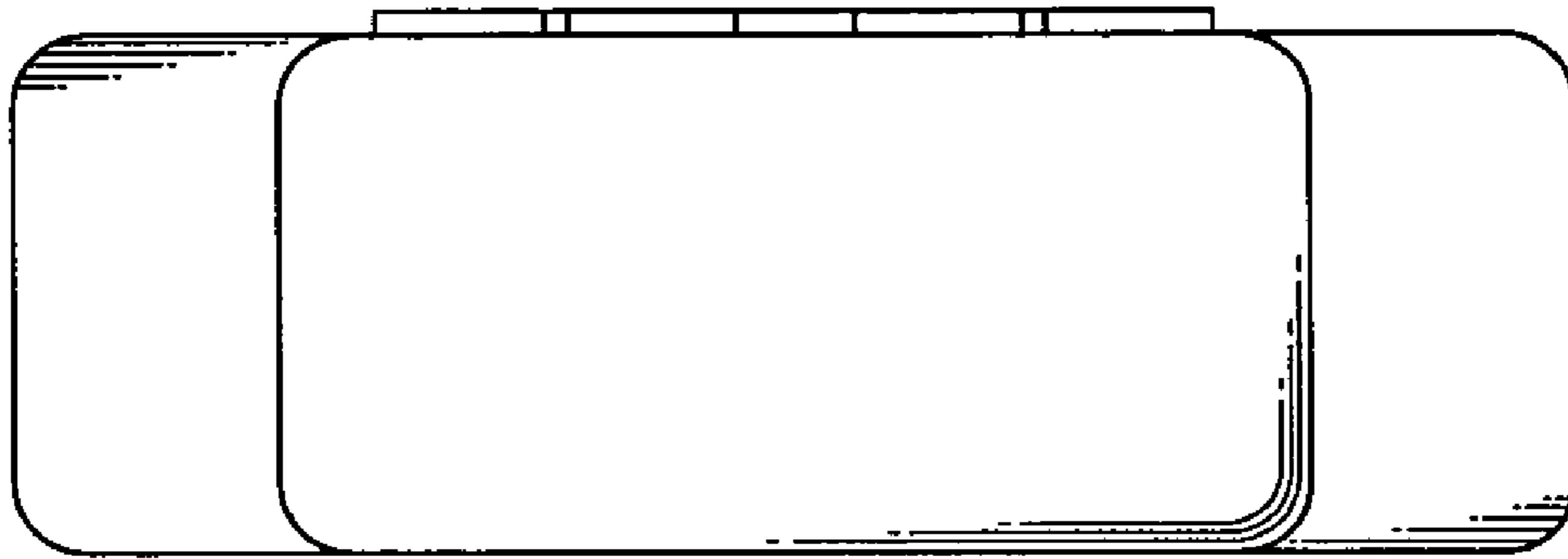


Fig. 7