



US00D584289S

(12) **United States Design Patent**  
**Lee**

(10) **Patent No.:** **US D584,289 S**  
(45) **Date of Patent:** **\*\* Jan. 6, 2009**

(54) **SUBWOOFER**

D482,020 S \* 11/2003 Olson et al. .... D14/216  
D554,619 S \* 11/2007 Solland ..... D14/215

(75) Inventor: **Nikolas Ian Lee**, Singapore (SG)

\* cited by examiner

(73) Assignee: **Razer (Asia-Pacific) Pte Ltd**, Singapore (SG)

*Primary Examiner*—Nanda Bondade  
(74) *Attorney, Agent, or Firm*—McDonnell Boehnen Hulbert & Berghoff LLP

(\*\*) Term: **14 Years**

(21) Appl. No.: **29/302,473**

(57) **CLAIM**

(22) Filed: **Jan. 17, 2008**

The ornamental design for a subwoofer, as shown and described.

(51) **LOC (9) Cl.** ..... **14-01**

(52) **U.S. Cl.** ..... **D14/216**

(58) **Field of Classification Search** ..... D14/204,  
D14/207, 210–216, 172; 181/143–144, 147–148,  
181/150–153, 157, 198–199; 381/300–303,  
381/306, 332–333, 336, 345, 361–364, 386–388  
See application file for complete search history.

**DESCRIPTION**

FIG. 1 is the perspective view of a subwoofer showing my new design;

FIG. 2 is a rear elevational view thereof;

FIG. 3 is a bottom plan view thereof;

FIG. 4 is a front elevational view thereof;

FIG. 5 is a left side elevational view thereof;

FIG. 6 is a right side elevational view thereof; and,

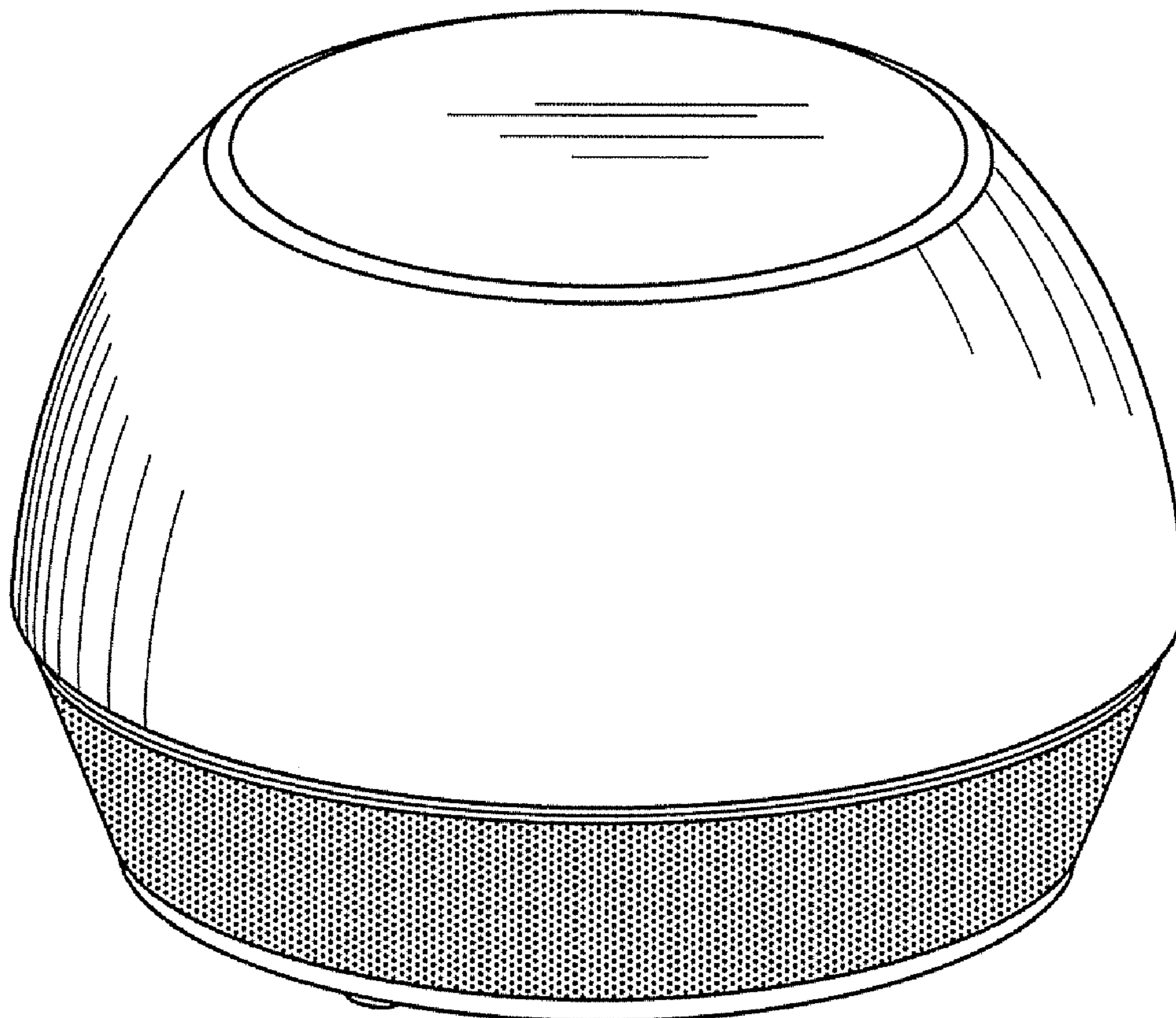
FIG. 7 is a top plan view thereof.

(56) **References Cited**

**U.S. PATENT DOCUMENTS**

D315,562 S \* 3/1991 Brown ..... D14/213  
D342,738 S \* 12/1993 Hwang ..... D14/213  
5,319,164 A \* 6/1994 Shen ..... 181/150  
D430,142 S \* 8/2000 Kuo et al. .... D14/216

**1 Claim, 4 Drawing Sheets**



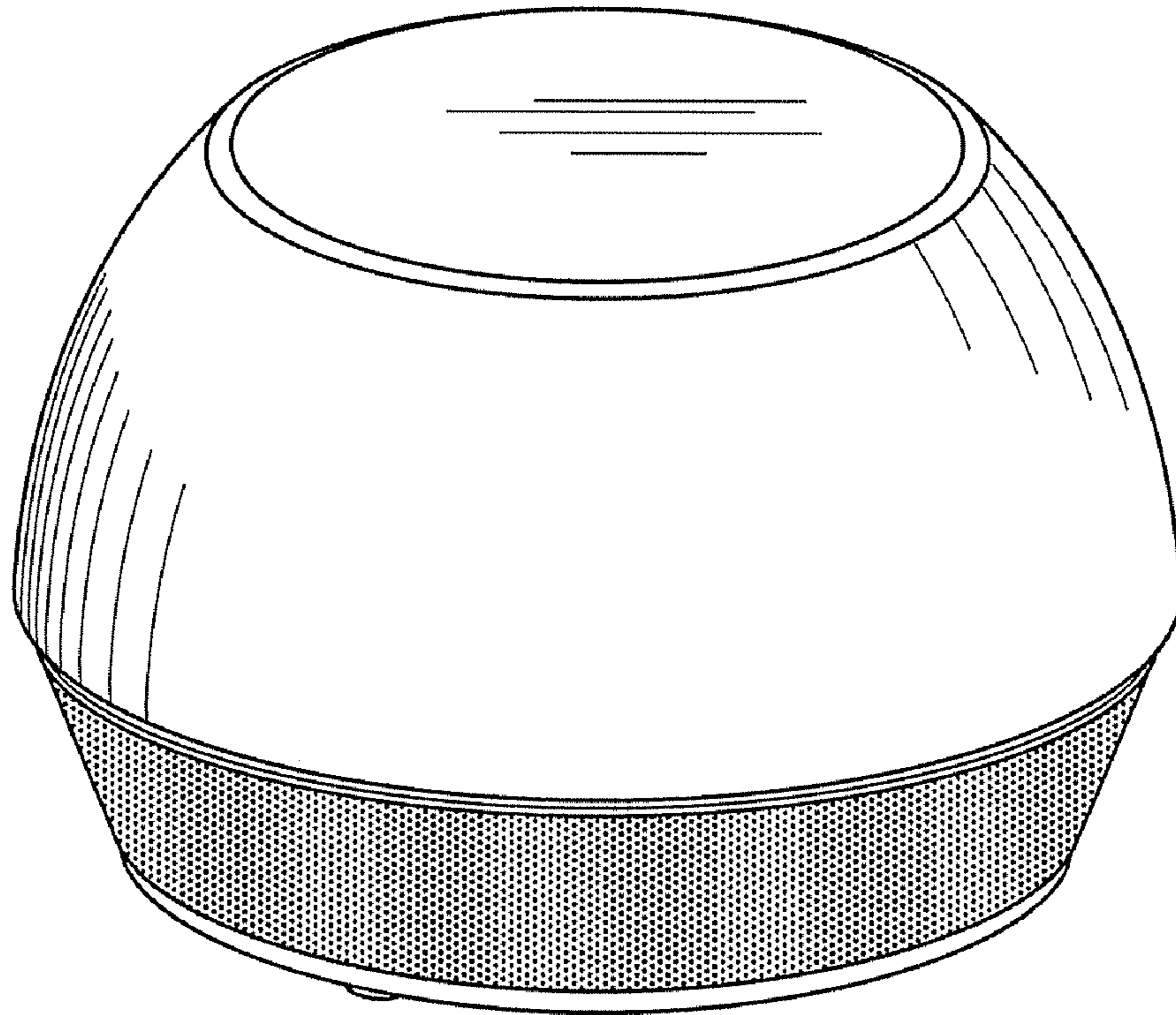


FIG. 1

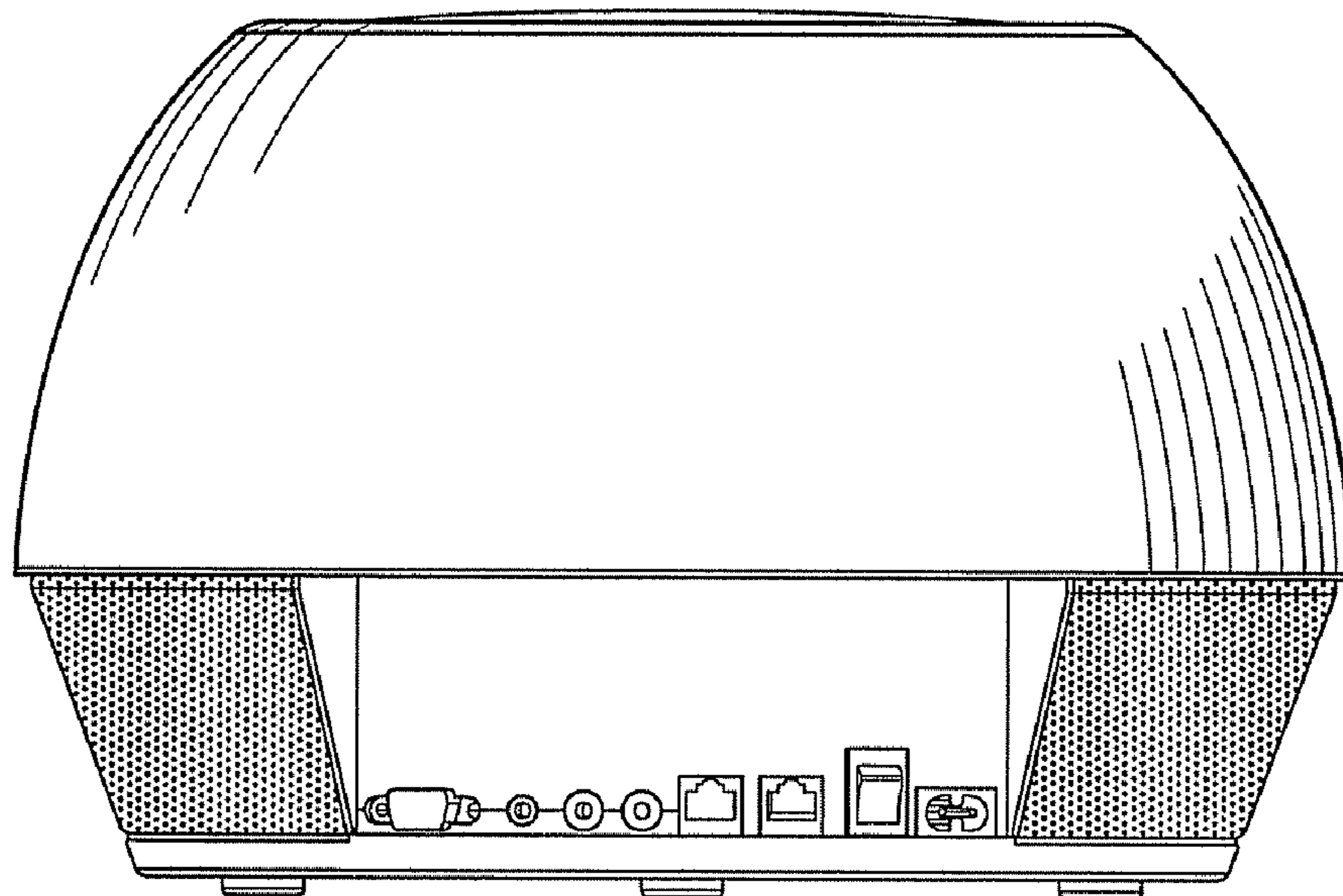


FIG. 2

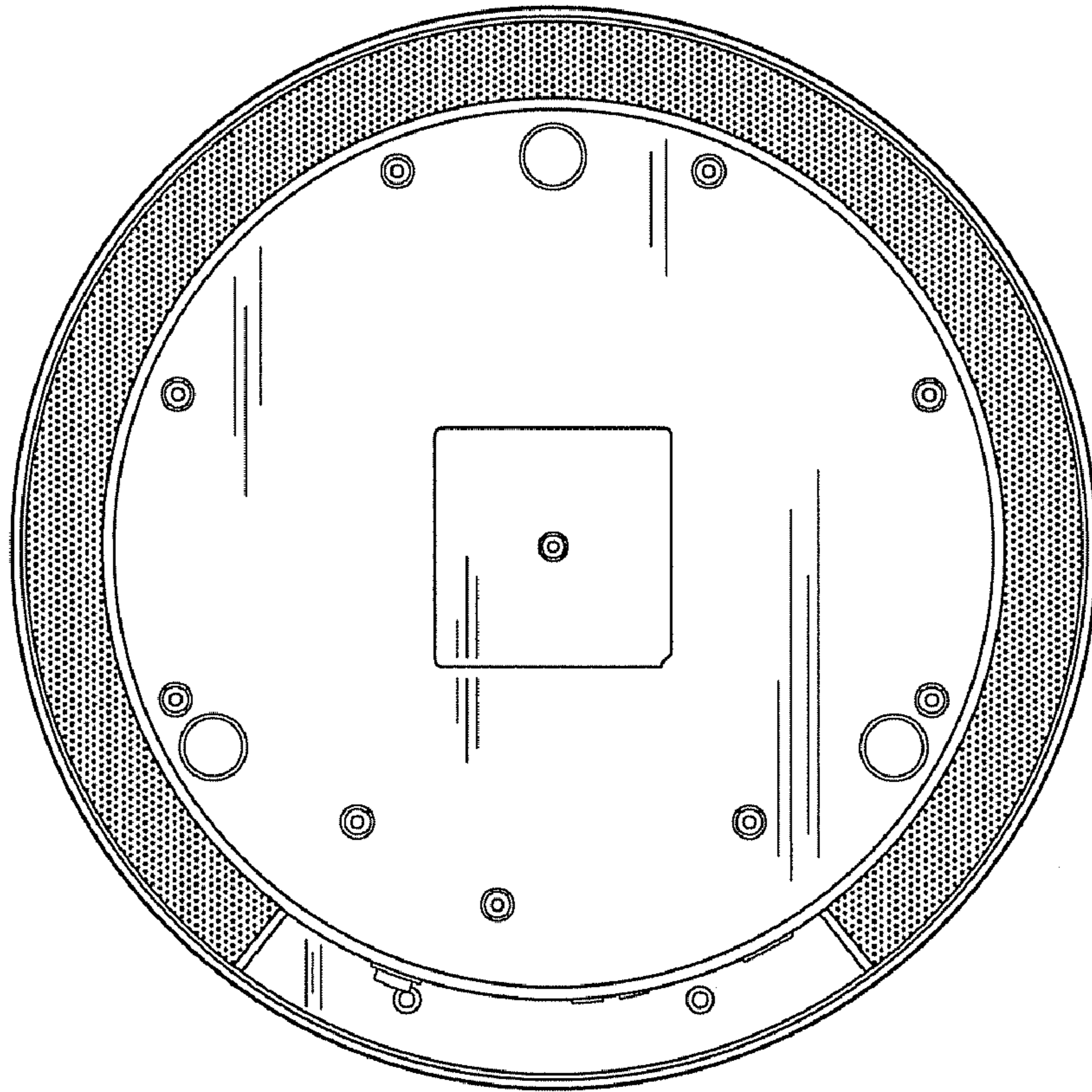


FIG. 3

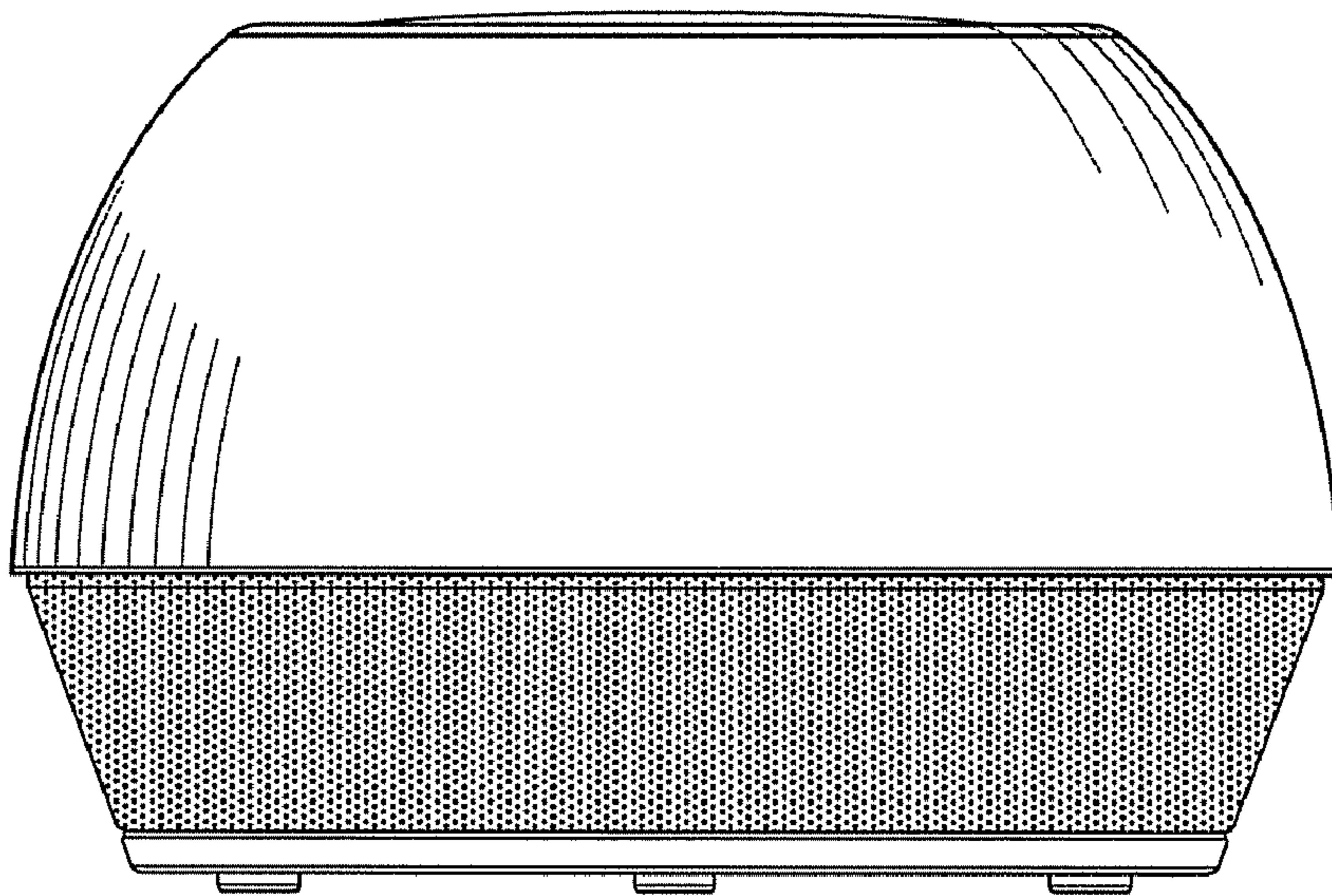


FIG. 4

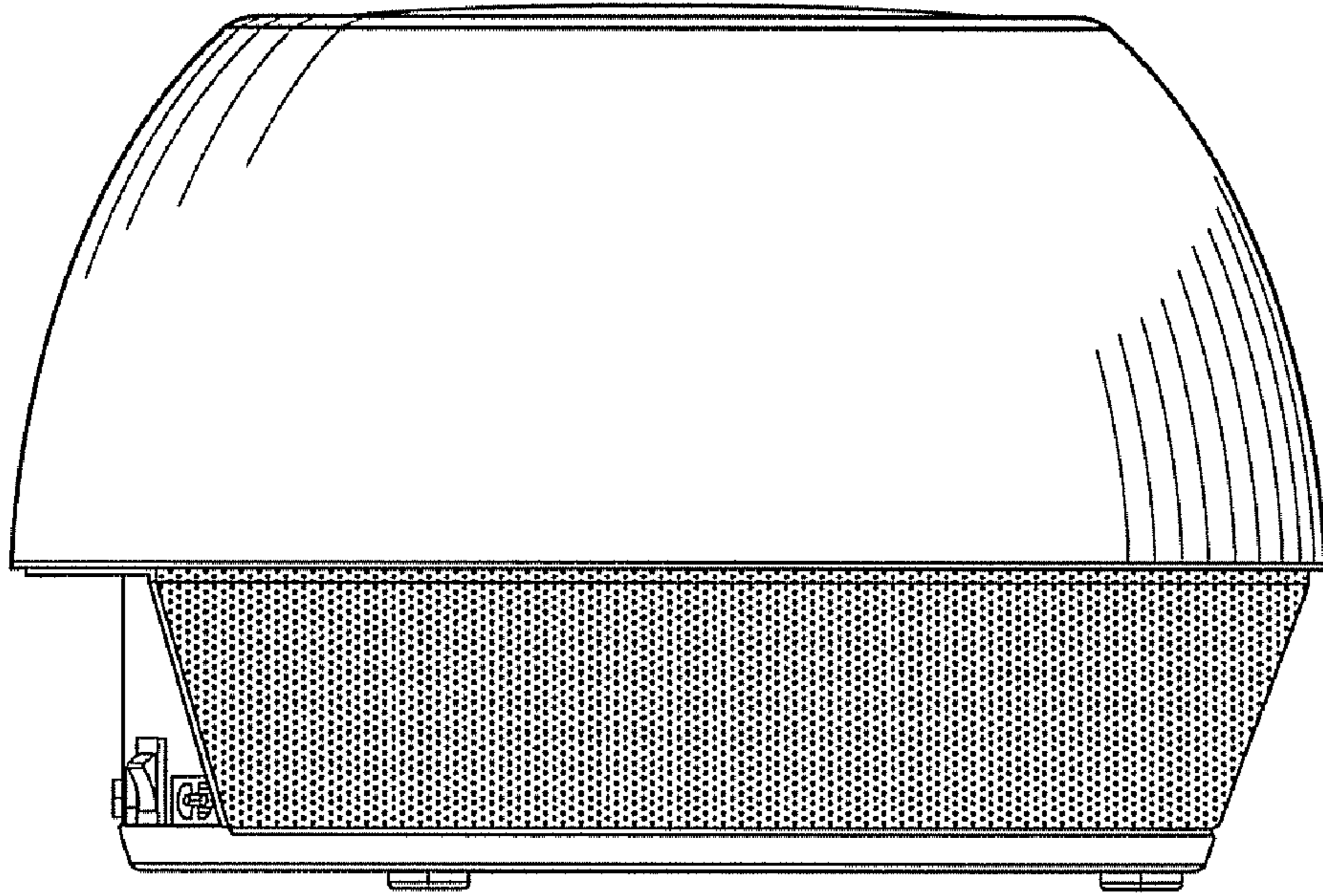


FIG. 5

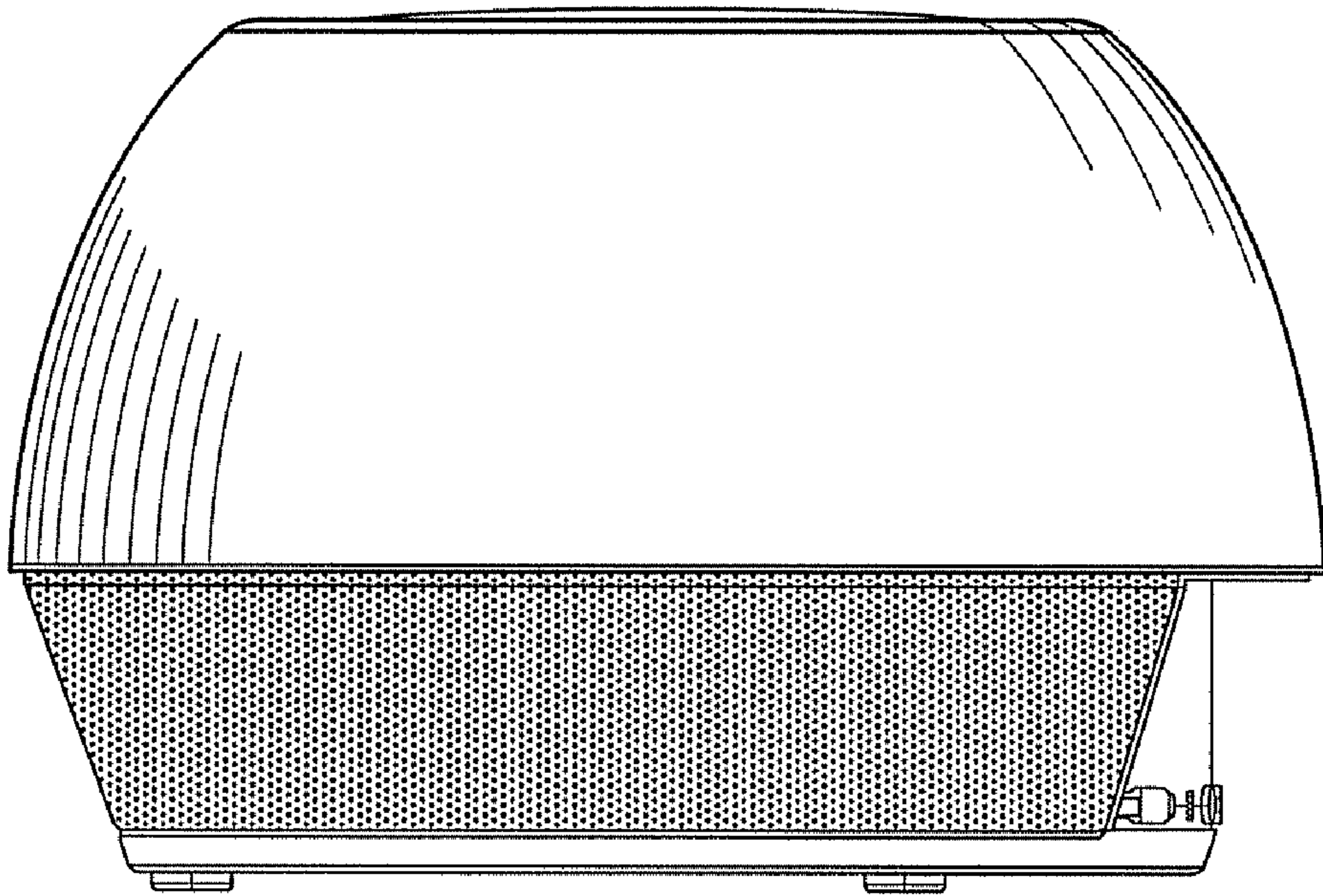


FIG. 6

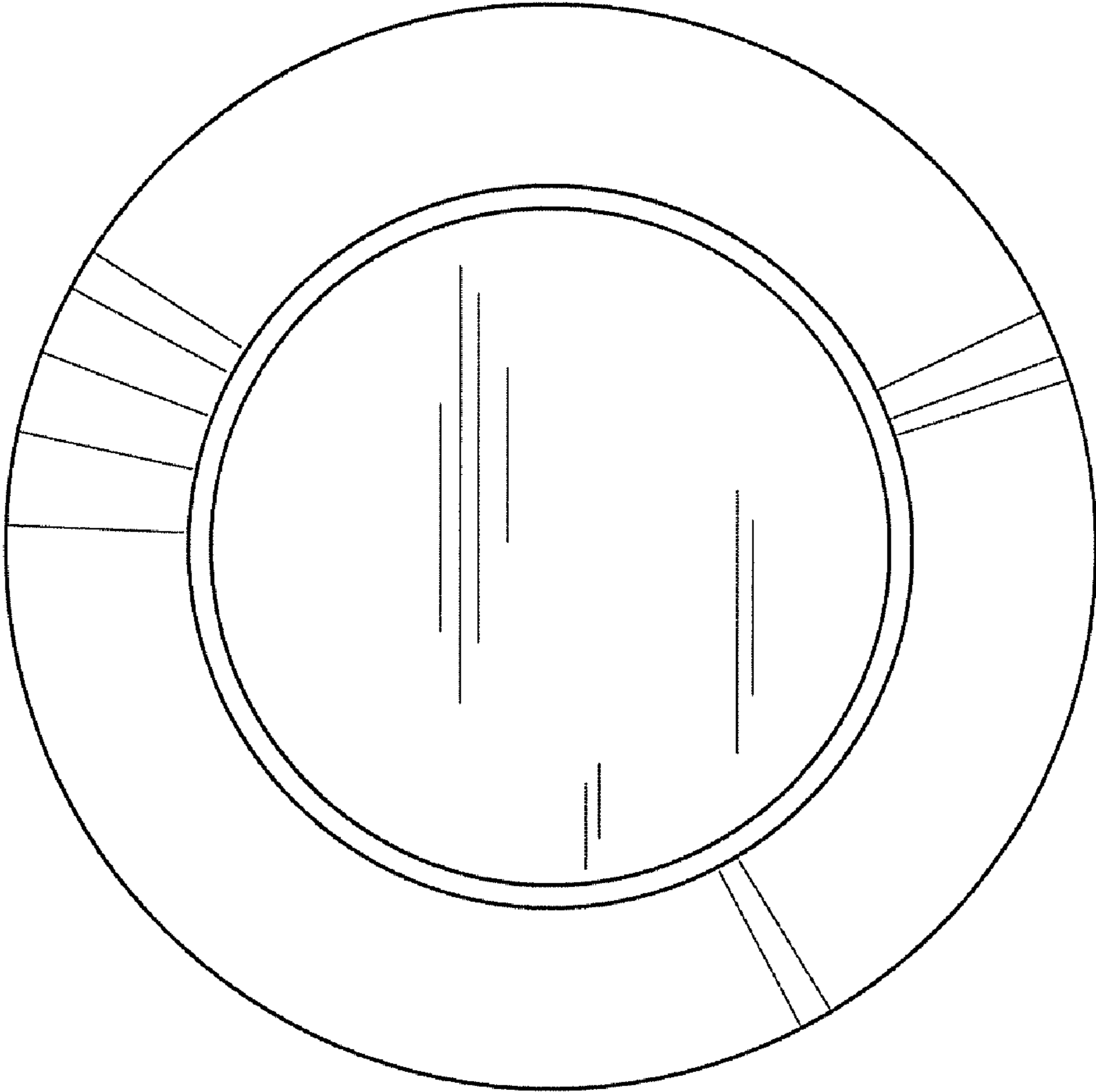


FIG. 7