



US00D584288S

(12) **United States Design Patent**
Kim

(10) **Patent No.:** **US D584,288 S**

(45) **Date of Patent:** **** *Jan. 6, 2009**

(54) **SPEAKER**

D488,459 S * 4/2004 Ota D14/211
D521,981 S * 5/2006 Sogabe D14/214

(75) Inventor: **Jae Hyung Kim**, Seoul (KR)

* cited by examiner

(73) Assignee: **Samsung Electronics Co., Ltd.**, Suwon (KR)

Primary Examiner—Nanda Bondade

(74) *Attorney, Agent, or Firm*—Ladas and Parry LLP

(*) Notice: This patent is subject to a terminal disclaimer.

(57) **CLAIM**

(**) Term: **14 Years**

The ornamental design for a speaker, as shown and described.

(21) Appl. No.: **29/271,404**

DESCRIPTION

(22) Filed: **Jan. 18, 2007**

FIG. 1 is a front, right side and top perspective view of a speaker showing my new design;

(51) **LOC (9) Cl.** **14-01**

FIG. 2 is a front elevational view thereof;

(52) **U.S. Cl.** **D14/215; D14/211**

FIG. 3 is a rear elevational view thereof;

(58) **Field of Classification Search** D14/204,
D14/209–216; 181/143–144, 147–148, 150,
181/157, 198–199, 151, 153; 381/300–302,
381/306, 333, 345, 361–364, 386–388, 332,
381/336

FIG. 4 is a left-side elevational view thereof;

FIG. 5 is a right-side elevational view thereof;

FIG. 6 is a top plan view thereof;

FIG. 7 is a bottom plan view thereof; and,

See application file for complete search history.

FIG. 8 is another front, right side and top perspective view thereof, with the base shown in broken line.

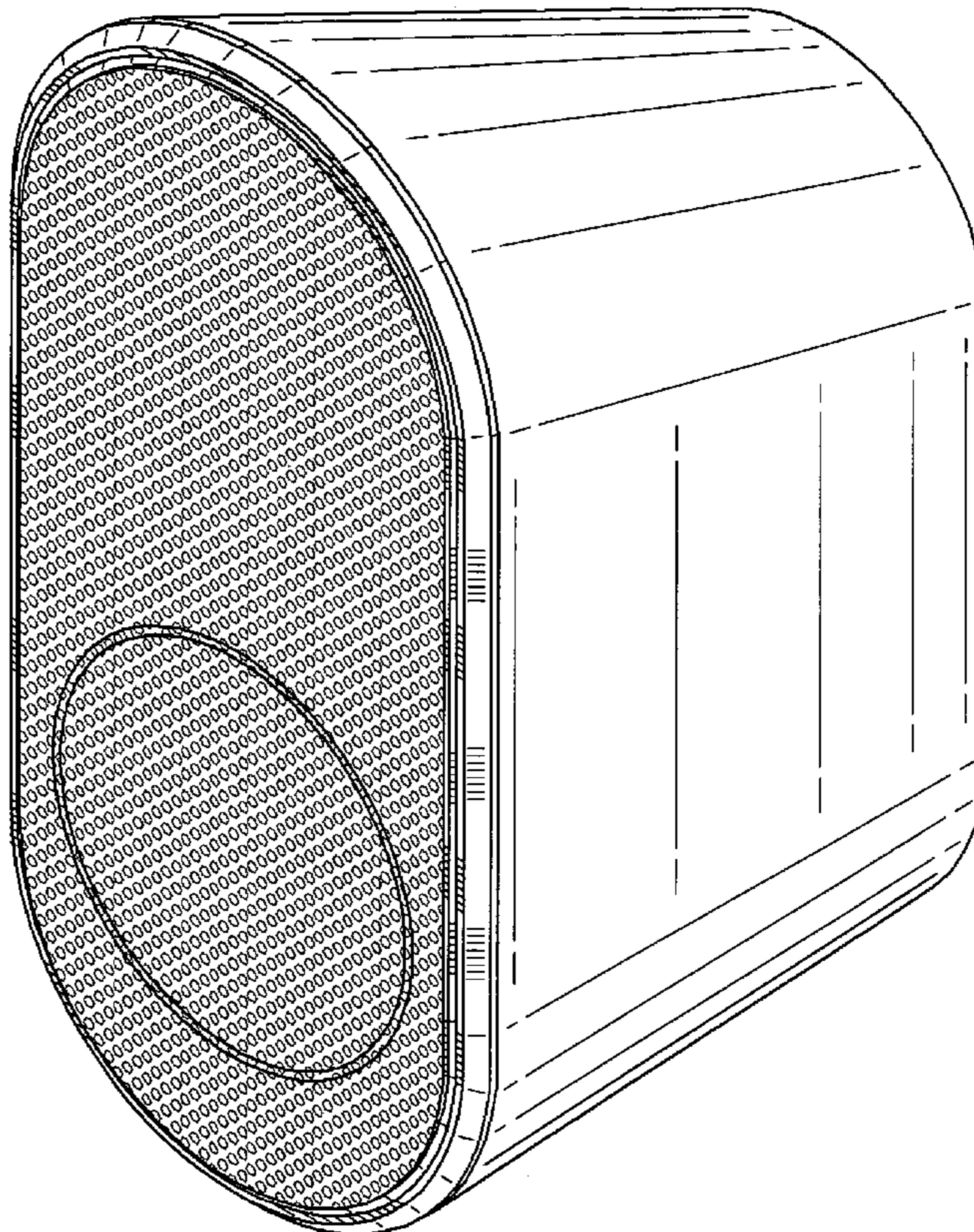
(56) **References Cited**

The broken line showing on the drawing disclosure is for illustrative purposes only and forms no part of the claimed design.

U.S. PATENT DOCUMENTS

4,805,730 A * 2/1989 O'Neill et al. 181/148
D437,843 S * 2/2001 Masui D14/215
D483,026 S * 12/2003 Koskinen D14/211

1 Claim, 7 Drawing Sheets



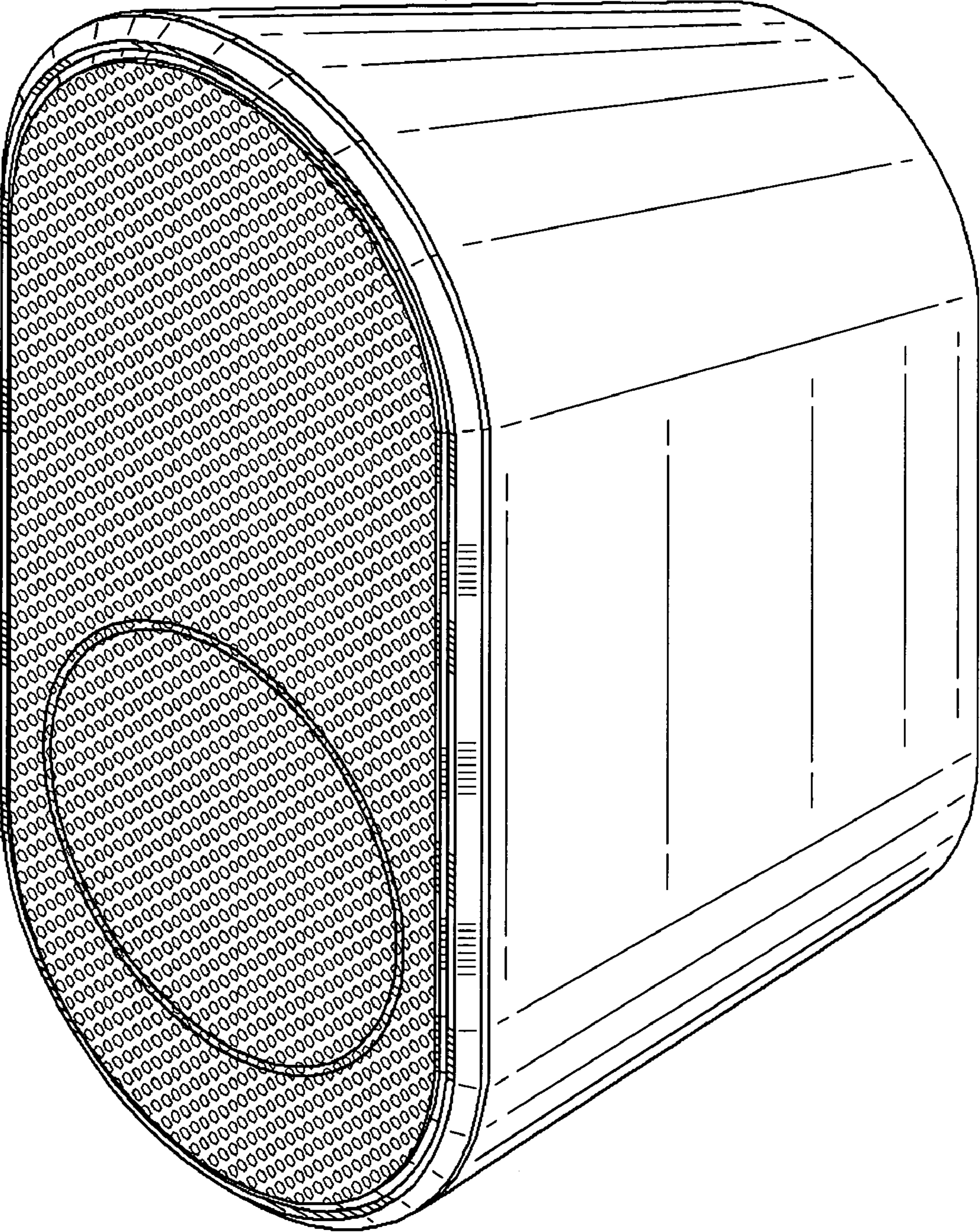


FIG. 1

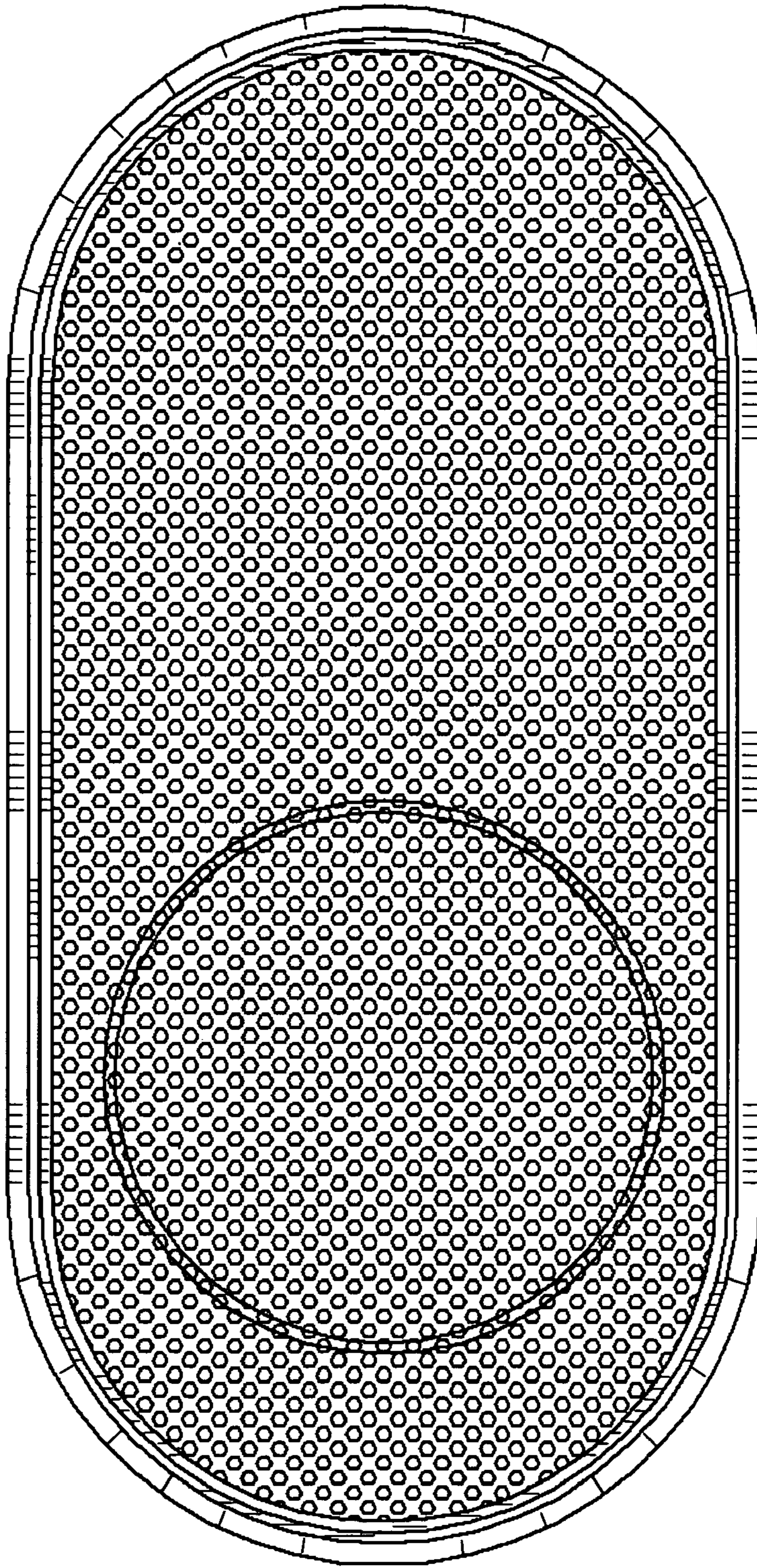


FIG. 2

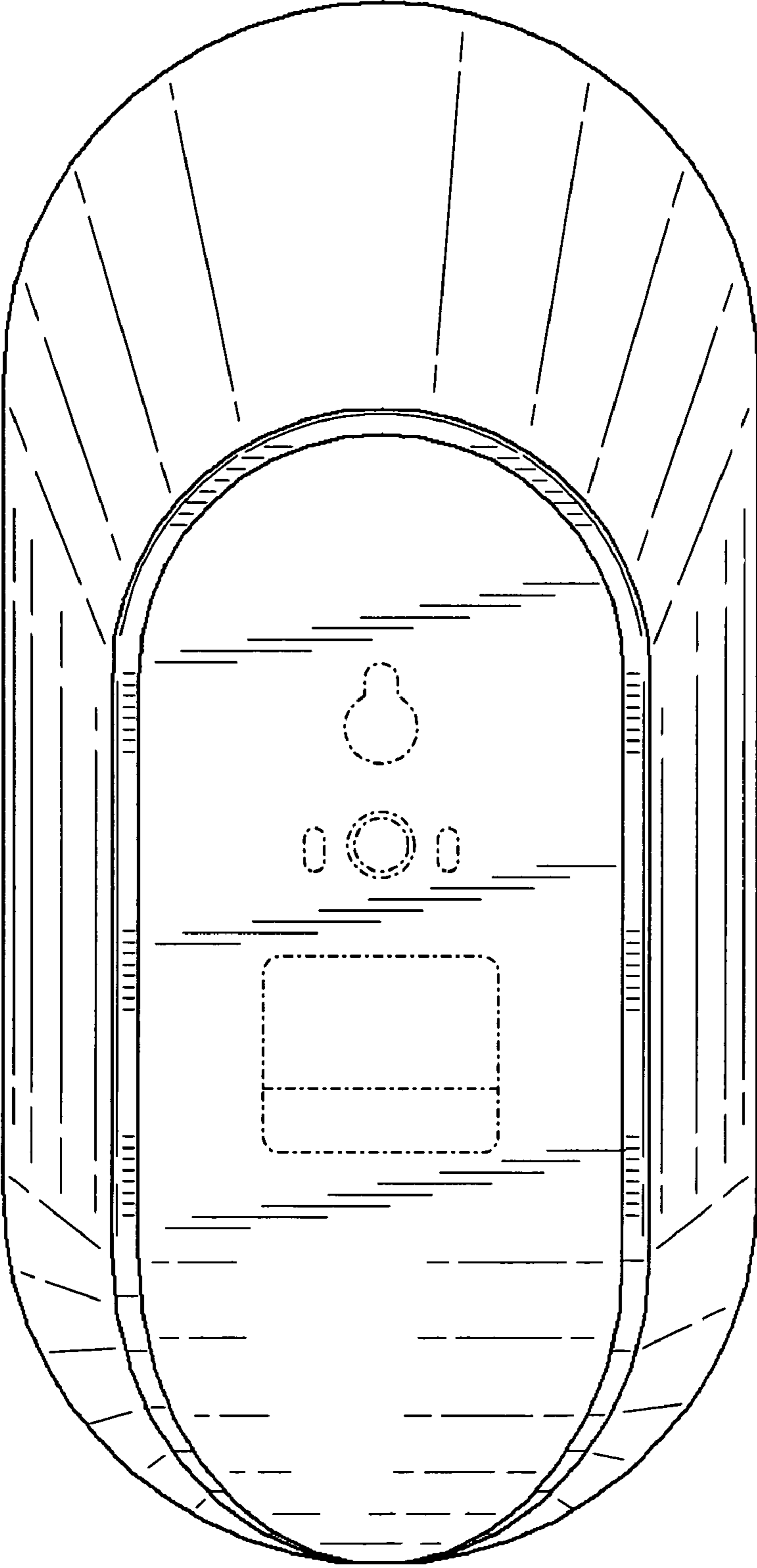


FIG. 3

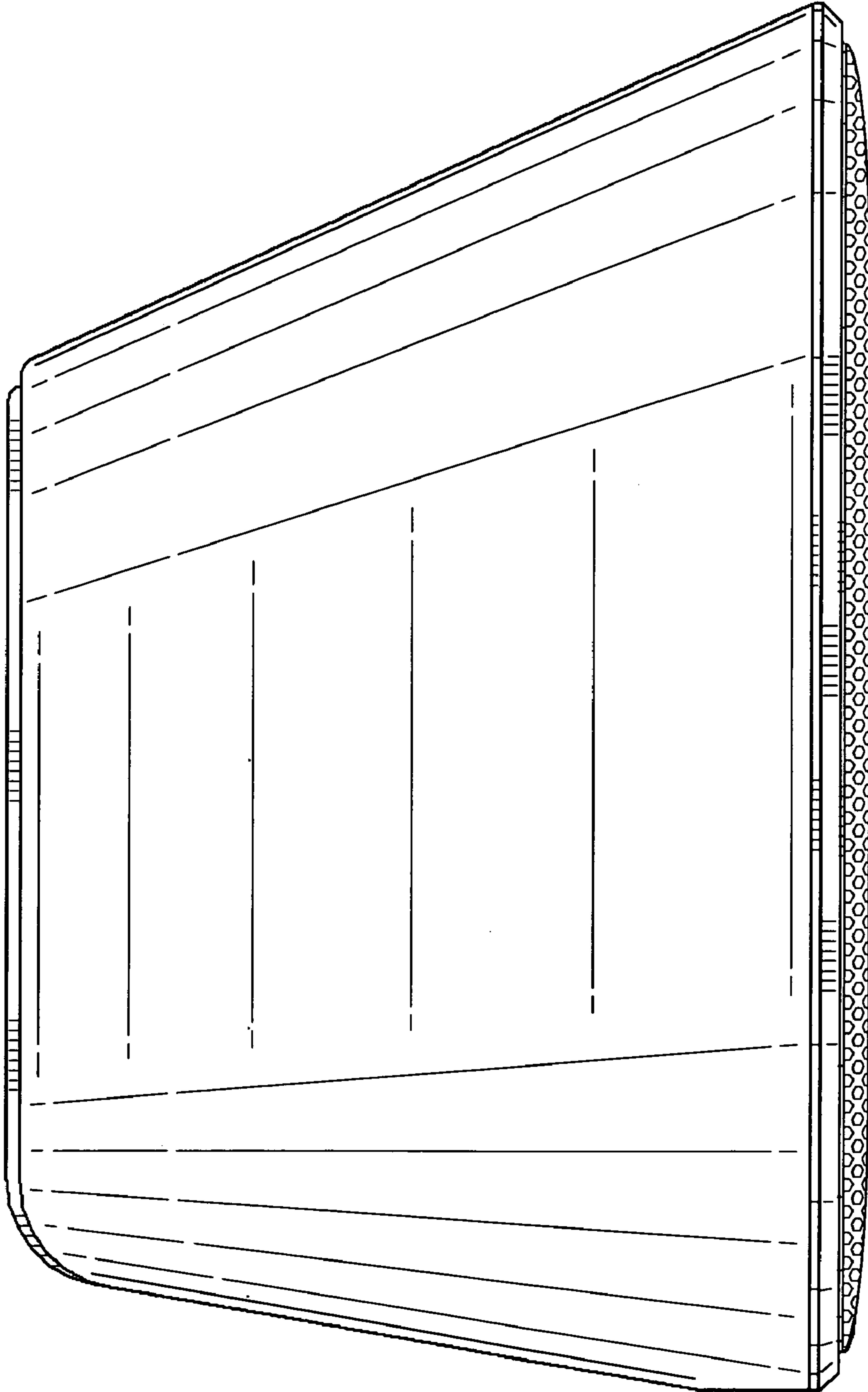


FIG. 4

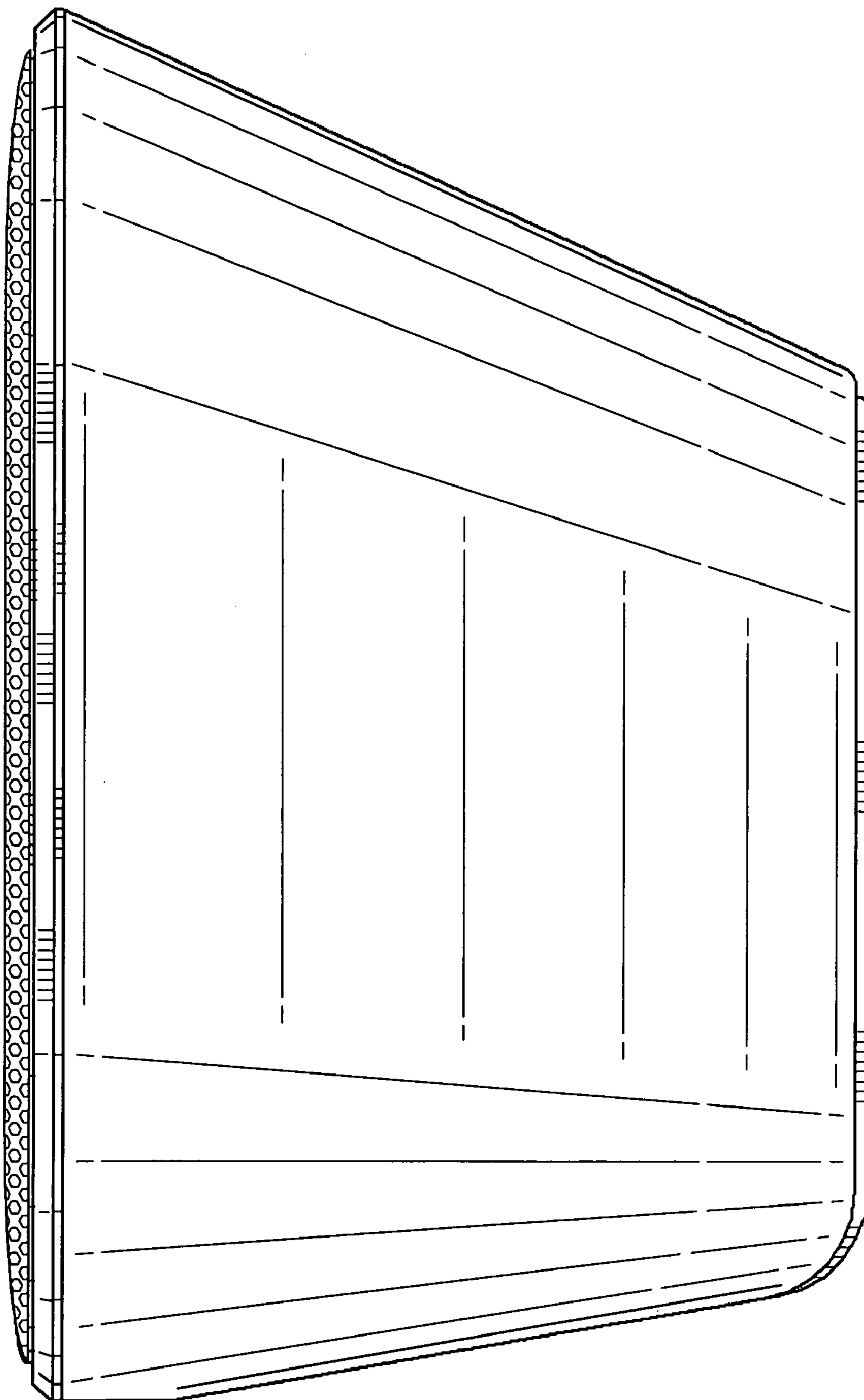


FIG. 5

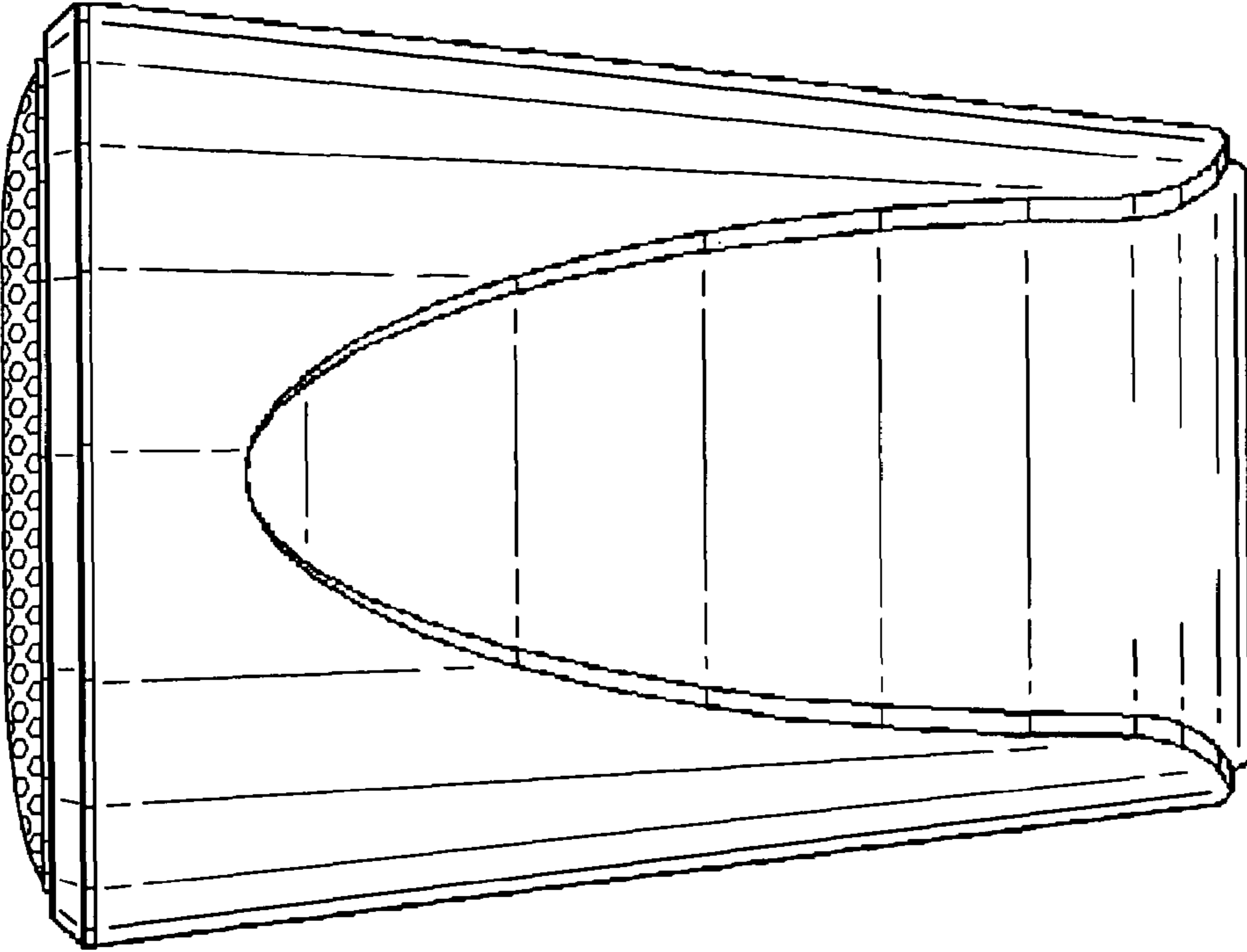


FIG. 6

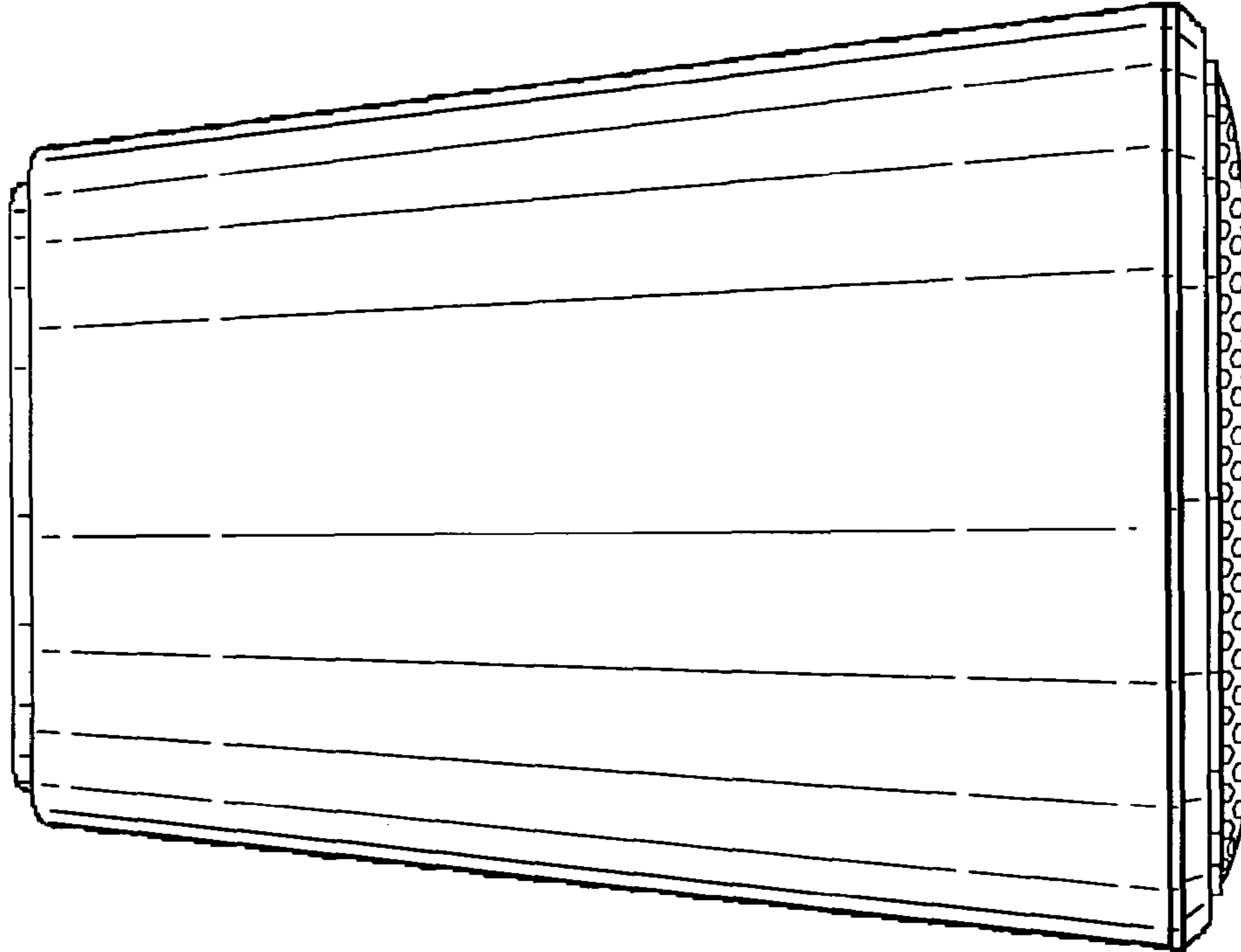


FIG. 7

FIG. 8

