



US00D584285S

(12) **United States Design Patent**
Xu et al.

(10) **Patent No.:** **US D584,285 S**
(45) **Date of Patent:** **** Jan. 6, 2009**

(54) **USER INTERFACE**

(75) Inventors: **Ye Xu**, Beijing (CN); **Jon Godston**, Chicago, IL (US); **Ryan P. Rye**, Duluth, GA (US); **Duncan L. Trevor-Wilson**, Frenchs Forest (AU); **Harold L. Wikel**, Muskego, WI (US)

(73) Assignee: **Motorola, Inc.**, Schaumburg, IL (US)

(**) Term: **14 Years**

(21) Appl. No.: **29/296,665**

(22) Filed: **Oct. 25, 2007**

(51) **LOC (9) Cl.** **14-01**

(52) **U.S. Cl.** **D14/206**

(58) **Field of Classification Search** D14/357,
D14/205, 206, 223; 379/430; 181/129, 130,
181/135, 149; 381/313, 328, 330, 380, 381,
381/151, 173, 322, 370

See application file for complete search history.

(56) **References Cited**

U.S. PATENT DOCUMENTS

D468,728 S * 1/2003 Rath et al. D14/206
D509,210 S * 9/2005 Skulley et al. D14/206
D516,058 S * 2/2006 Garcia D14/206
D528,531 S * 9/2006 Rose et al. D14/206

D537,812 S * 3/2007 Erich et al. D14/206
D539,268 S * 3/2007 Suzuki D14/206
D542,267 S * 5/2007 Cha et al. D14/206
D556,735 S * 12/2007 Yeo D14/206
D561,739 S * 2/2008 Ikeda et al. D14/206
D566,099 S * 4/2008 Komiyama D14/206

* cited by examiner

Primary Examiner—Brian N Vinson

(74) *Attorney, Agent, or Firm*—Hisashi D. Watanabe

(57) **CLAIM**

The ornamental design for a user interface, as shown and described.

DESCRIPTION

FIG. 1 is a perspective view of a user interface showing our new design;

FIG. 2 is a top plan view thereof;

FIG. 3 is a bottom plan view thereof;

FIG. 4 is a side elevational view thereof

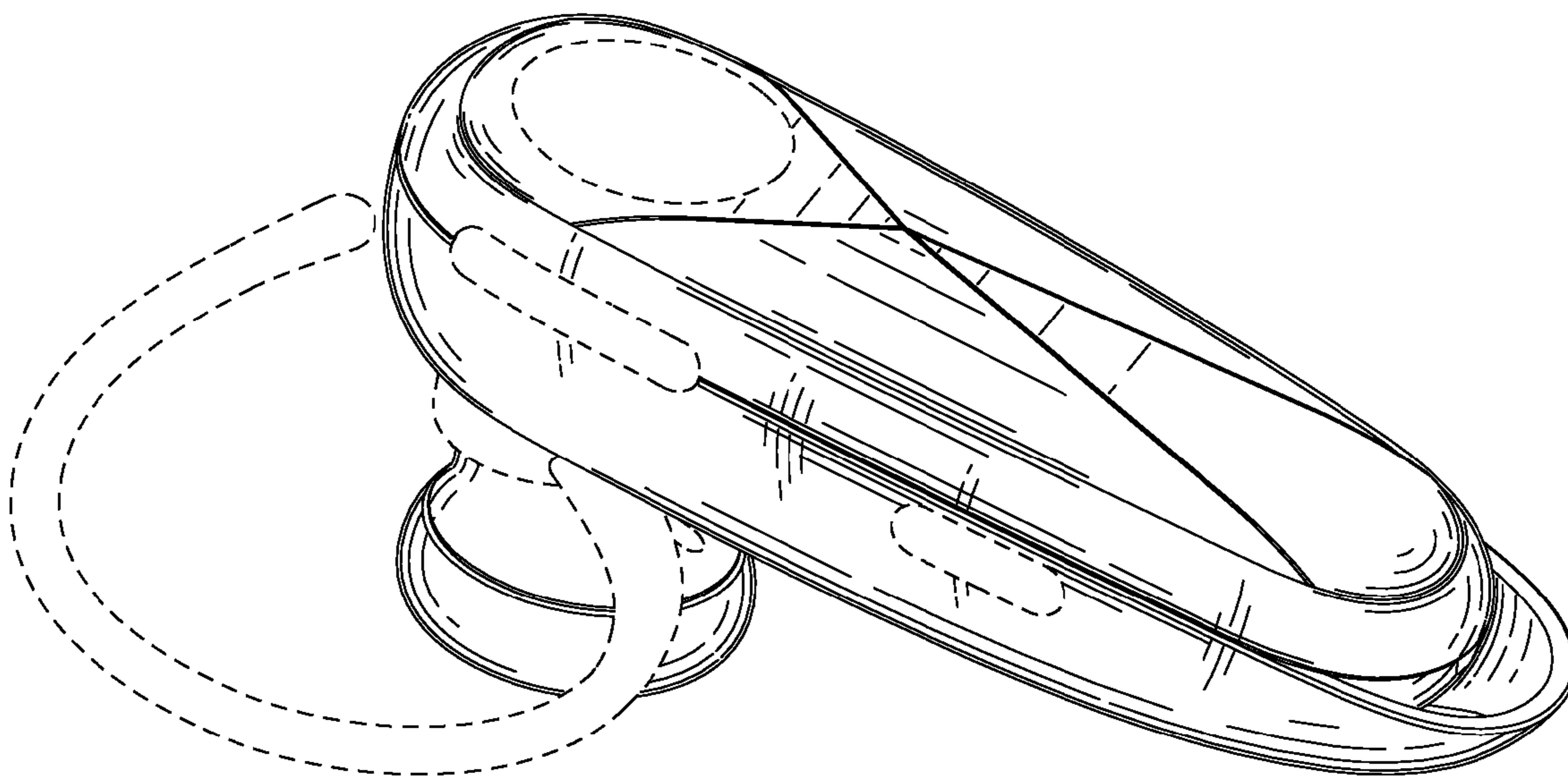
FIG. 5 is an opposite side elevational view thereof;

FIG. 6 is a rear elevational view thereof; and,

FIG. 7 is a front elevational view thereof.

The broken-line disclosure in the views is for illustrative purposes only and forms no part of the claimed design.

1 Claim, 5 Drawing Sheets



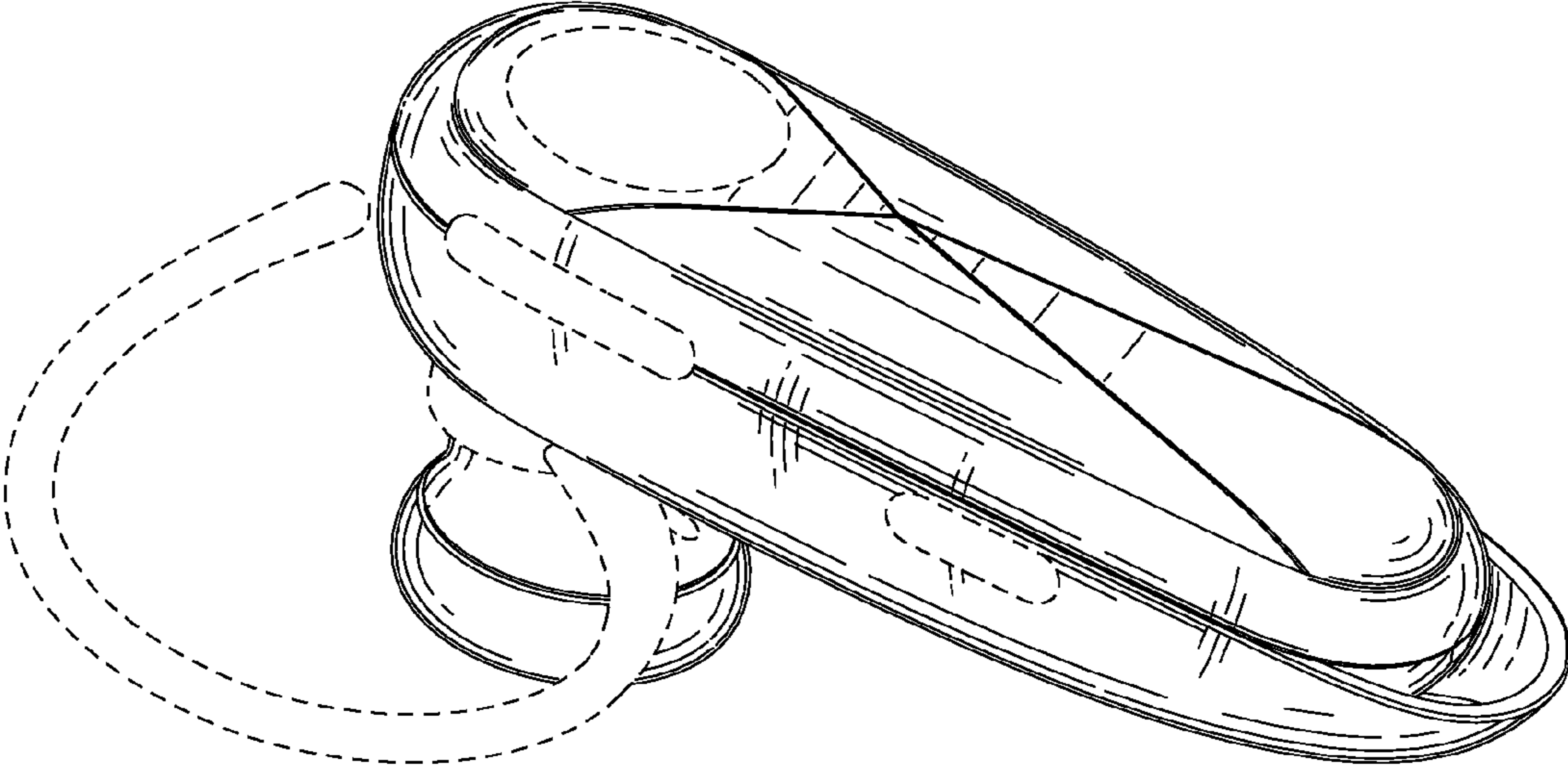


FIG. 1

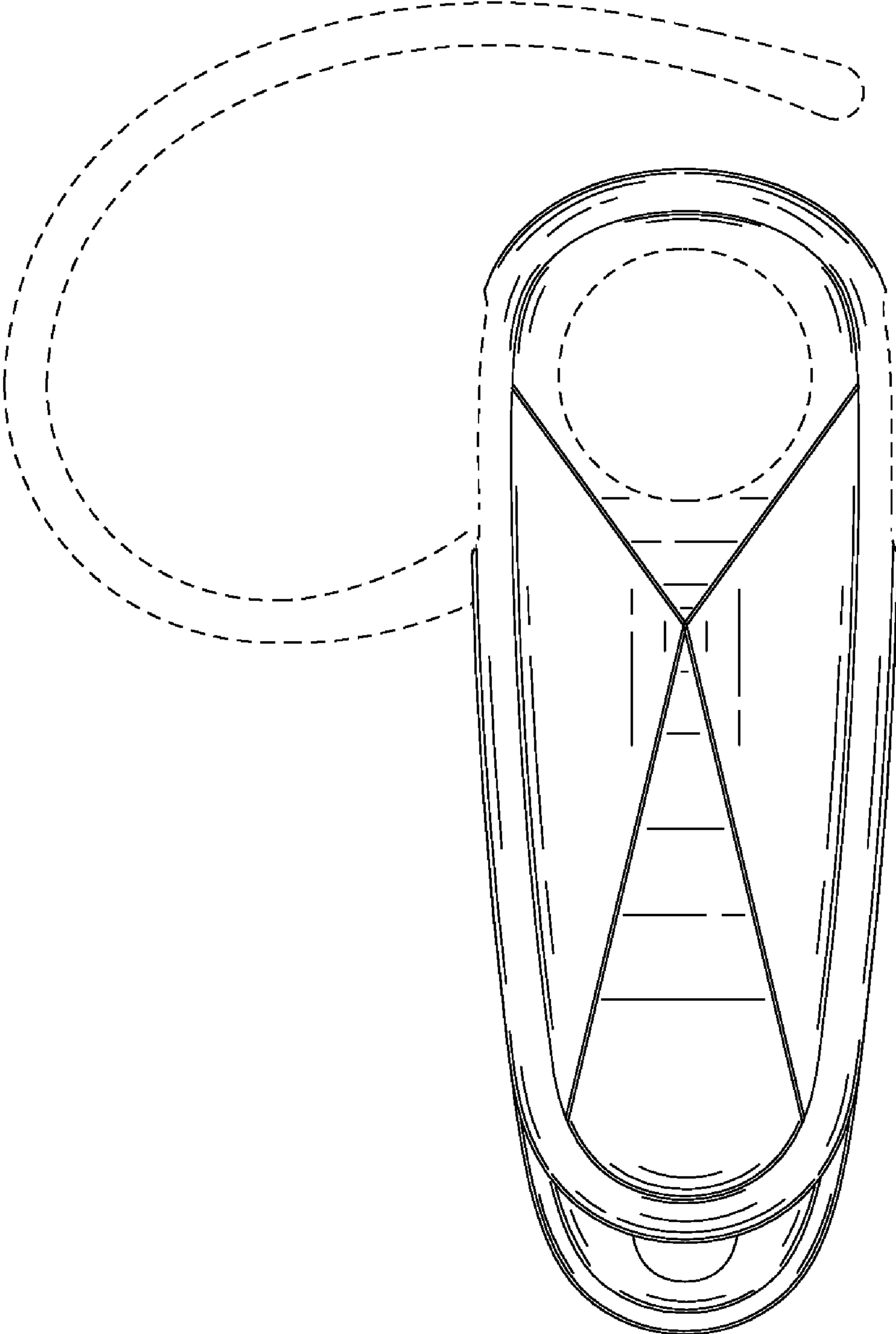


FIG. 2

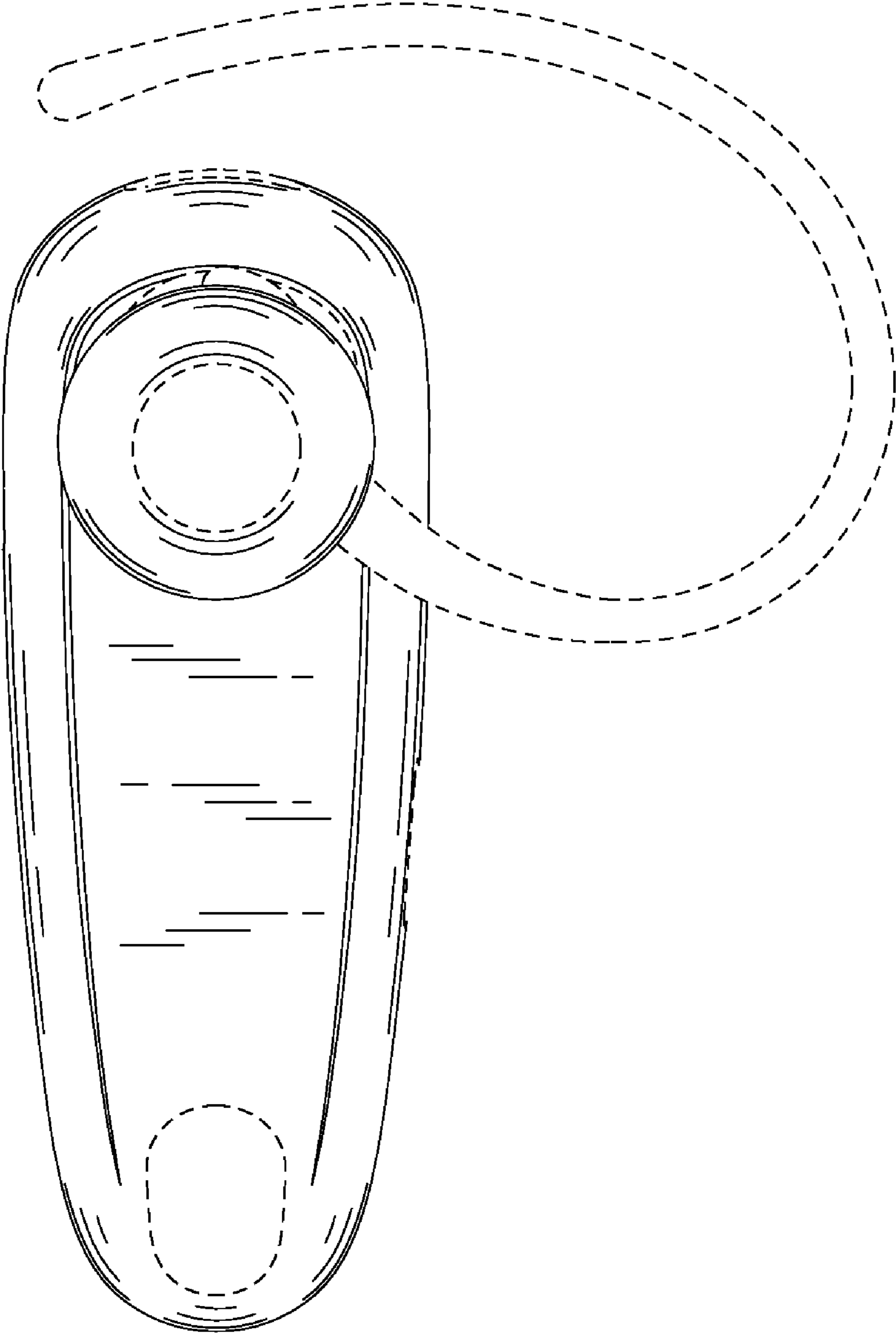


FIG. 3

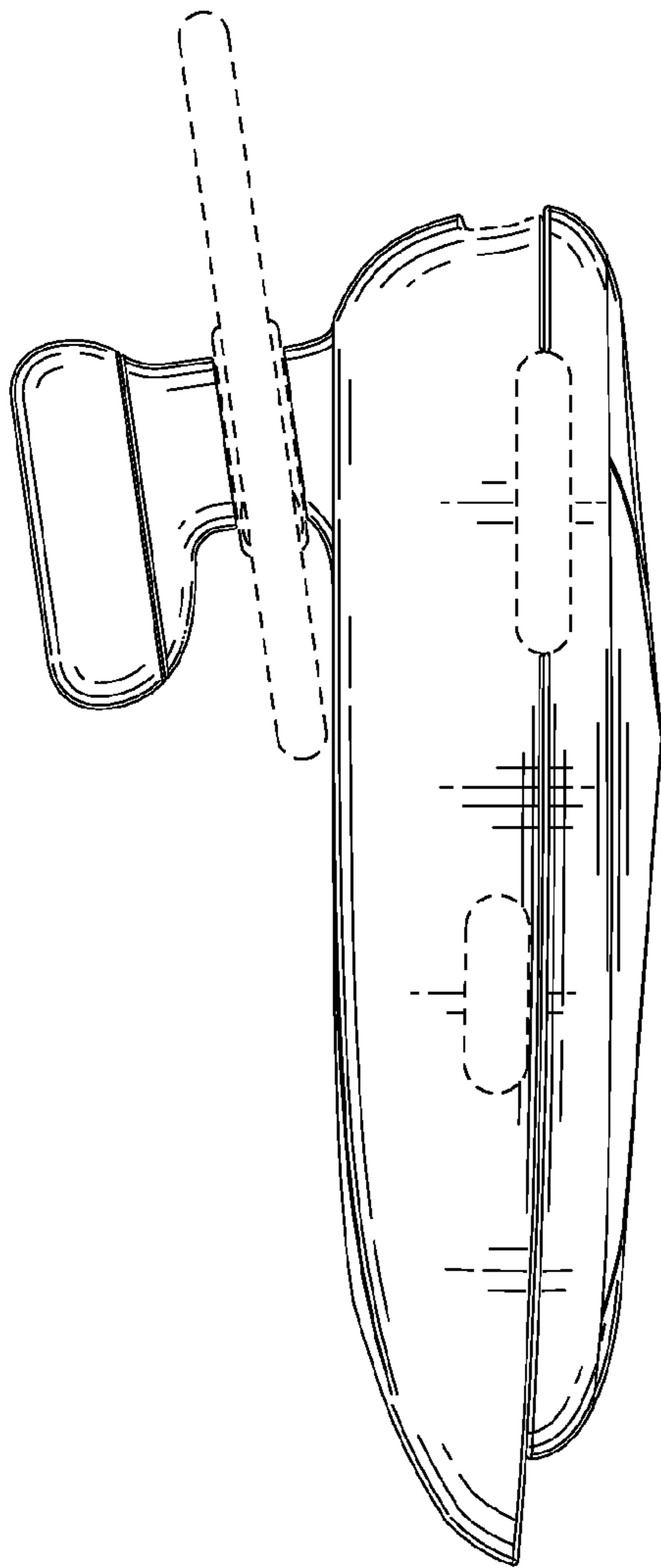


FIG. 4

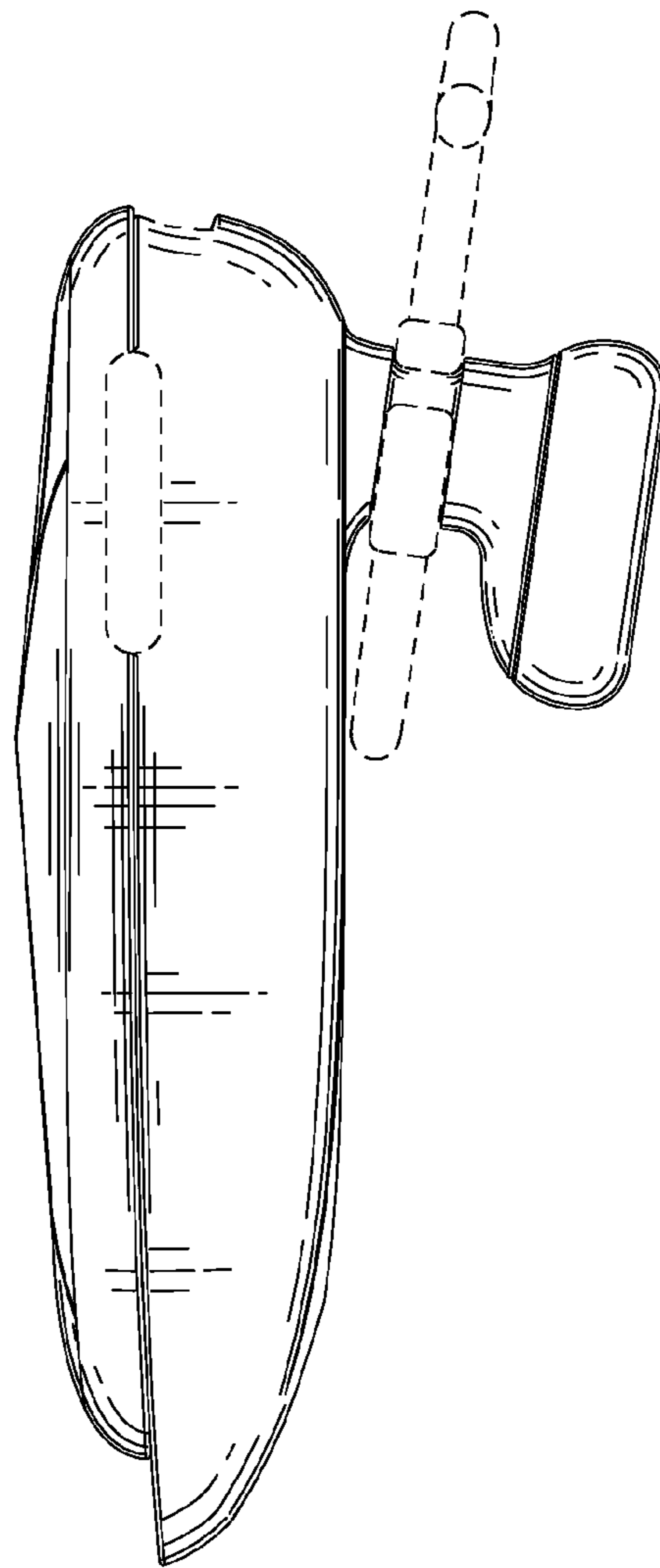


FIG. 5

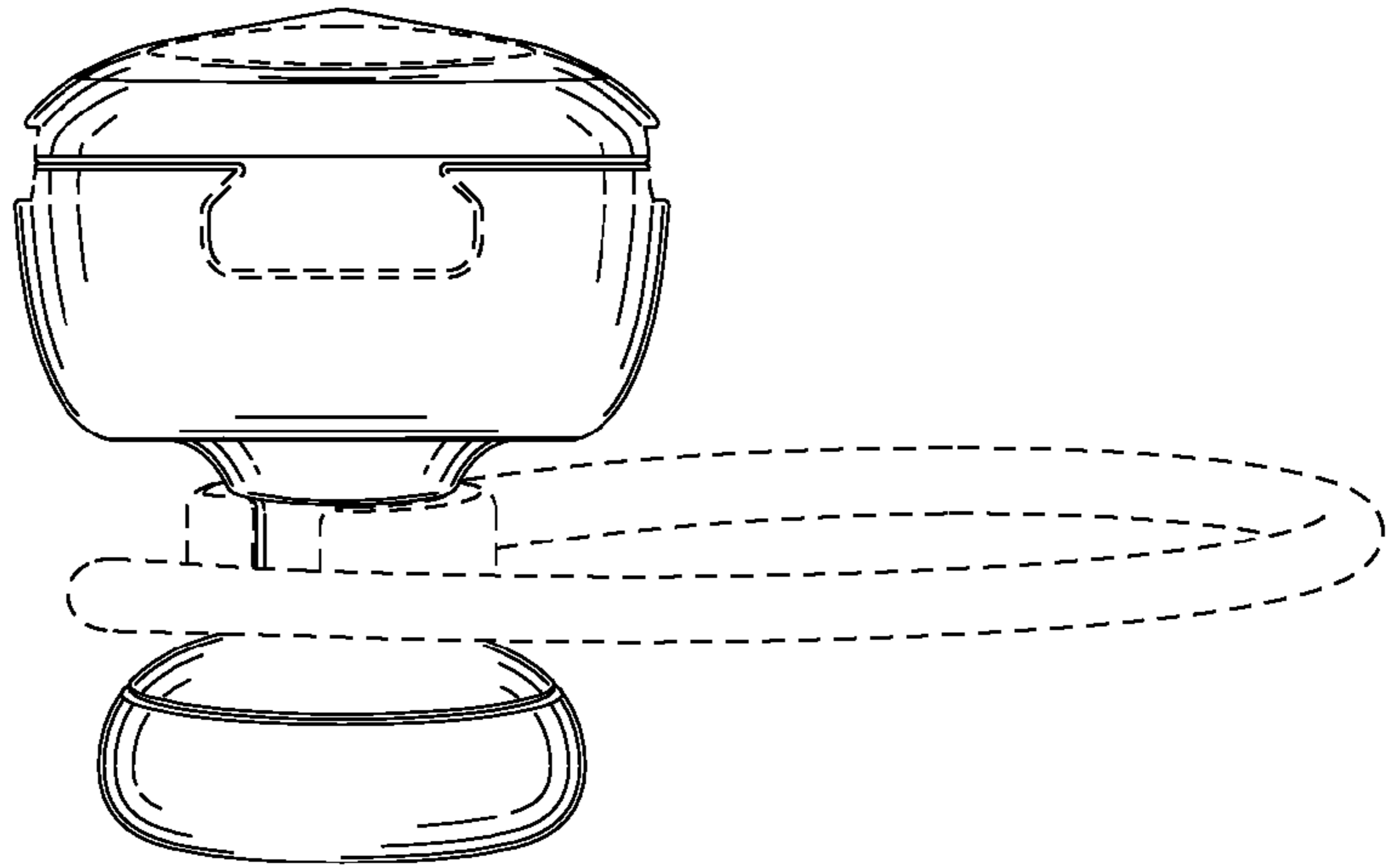


FIG. 6

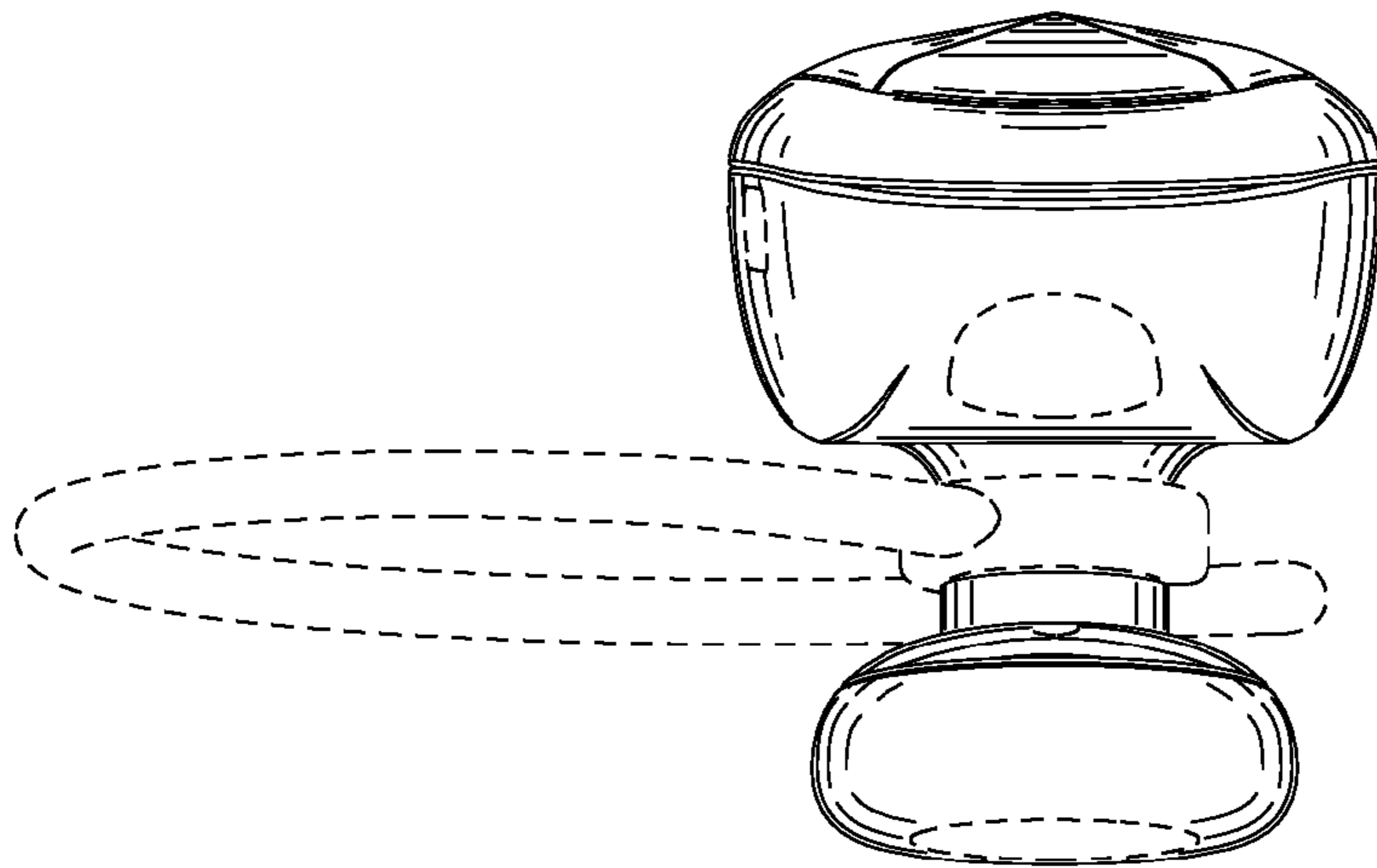


FIG. 7