



US00D584283S

(12) **United States Design Patent**
Soetejo et al.

(10) **Patent No.:** **US D584,283 S**
(45) **Date of Patent:** **** Jan. 6, 2009**

(54) **EARPHONES**

(75) Inventors: **Juarsa Soetejo**, Singapore (SG); **Hui Ling Gan**, Singapore (SG); **Huang Pheng Vince Ang**, Singapore (SG)

(73) Assignee: **Creative Technology Ltd**, Singapore (SG)

(**) Term: **14 Years**

(21) Appl. No.: **29/293,064**

(22) Filed: **Nov. 6, 2007**

(51) **LOC (9) Cl.** **14-01**

(52) **U.S. Cl.** **D14/205; D14/223**

(58) **Field of Classification Search** D14/205, D14/206, 223, 188, 192, 249, 156, 215; 2/209, 2/112; 381/381, 375, 376, 379, 385, 377; 379/430; 455/569.1, 550.1, 90.3, 575.2
See application file for complete search history.

(56) **References Cited**

U.S. PATENT DOCUMENTS

2,474,135	A *	6/1949	White	381/381
D284,859	S *	7/1986	Okada	D14/192
5,125,033	A *	6/1992	Lee	381/333
5,555,554	A *	9/1996	Hofer et al.	381/371
D391,572	S *	3/1998	Lee	D14/192
D399,206	S *	10/1998	Yasutomi et al.	D14/205
D402,659	S *	12/1998	Suzuki	D14/215
D444,140	S *	6/2001	Ishibashi	D14/192
D453,015	S *	1/2002	Yuyama	D14/205
D457,154	S *	5/2002	Ng	D14/192
D460,432	S *	7/2002	Brown	D14/156
D461,787	S *	8/2002	Brown	D14/156
D464,638	S *	10/2002	Huang	D14/205
D477,822	S *	7/2003	Komiyama	D14/223
D478,573	S *	8/2003	Wrisley et al.	D14/223
D481,709	S *	11/2003	Solderits	D14/228
D482,022	S *	11/2003	Nakano	D14/223
6,728,388	B1 *	4/2004	Nageno et al.	381/381

D504,414	S *	4/2005	Yoshida	D14/192
D505,411	S *	5/2005	Sakai	D14/192
D505,415	S *	5/2005	Han et al.	D14/223
D508,911	S *	8/2005	Sanders	D14/223
D509,211	S *	9/2005	Han et al.	D14/205
D509,823	S *	9/2005	Han et al.	D14/223
D511,768	S *	11/2005	Naito et al.	D14/223
D512,417	S *	12/2005	Hirakawa et al.	D14/223
D514,095	S *	1/2006	Wilson et al.	D14/223
7,120,267	B2 *	10/2006	Ito et al.	381/375
D537,438	S *	2/2007	Hermansen	D14/223
7,184,565	B2 *	2/2007	Ohta	381/384
D538,270	S *	3/2007	Kim et al.	D14/223
7,356,362	B2 *	4/2008	Chang et al.	455/575.2

* cited by examiner

Primary Examiner—Paula Greene

(74) *Attorney, Agent, or Firm*—Kennedy Koblin

(57) **CLAIM**

The ornamental design for earphones, substantially as shown and described.

DESCRIPTION

FIG. 1 is a perspective view of the earphones in accordance with the present design;

FIG. 2 is a front view of the earphones shown in FIG. 1 drawn separately for purposes of illustration;

FIG. 3 is a rear view of the earphones shown in FIG. 1 thereof;

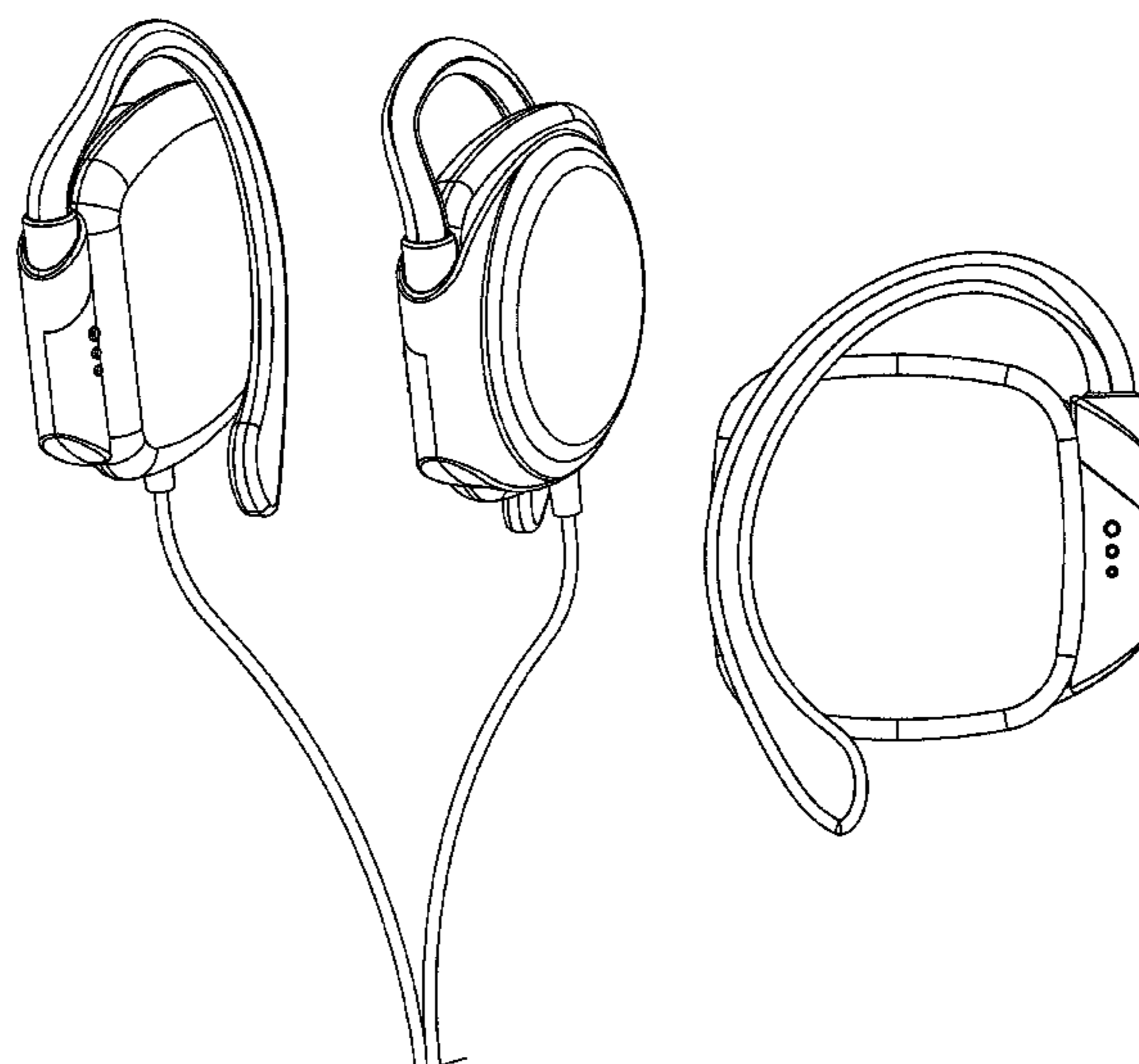
FIG. 4 is a left side view of the earphones shown in FIG. 1 thereof;

FIG. 5 is a right side view of the earphones shown in FIG. 1 thereof;

FIG. 6 is a top view of the earphones shown in FIG. 1 thereof; and,

FIG. 7 is a bottom view of the earphones shown in FIG. 1 thereof.

1 Claim, 4 Drawing Sheets



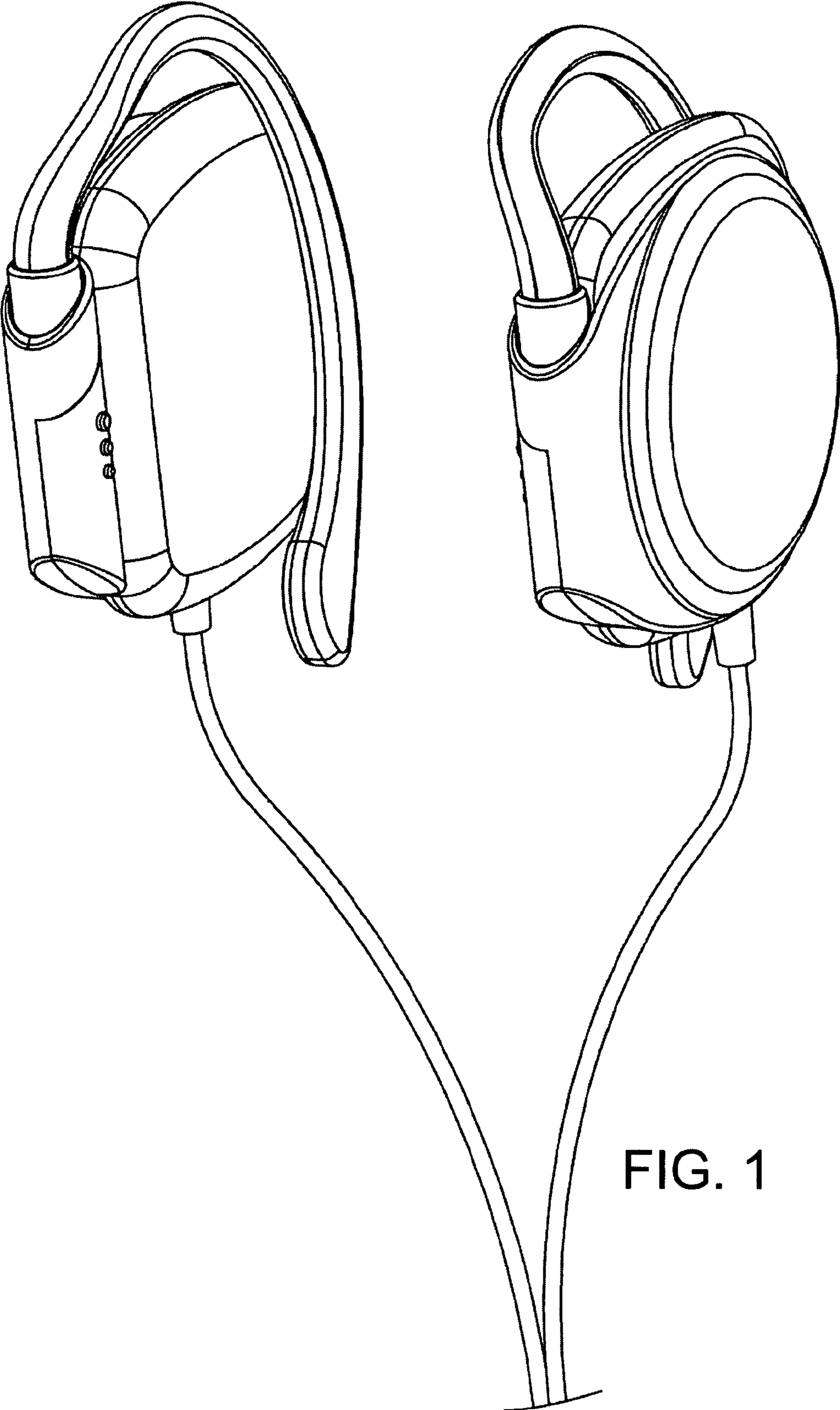


FIG. 1

FIG. 2

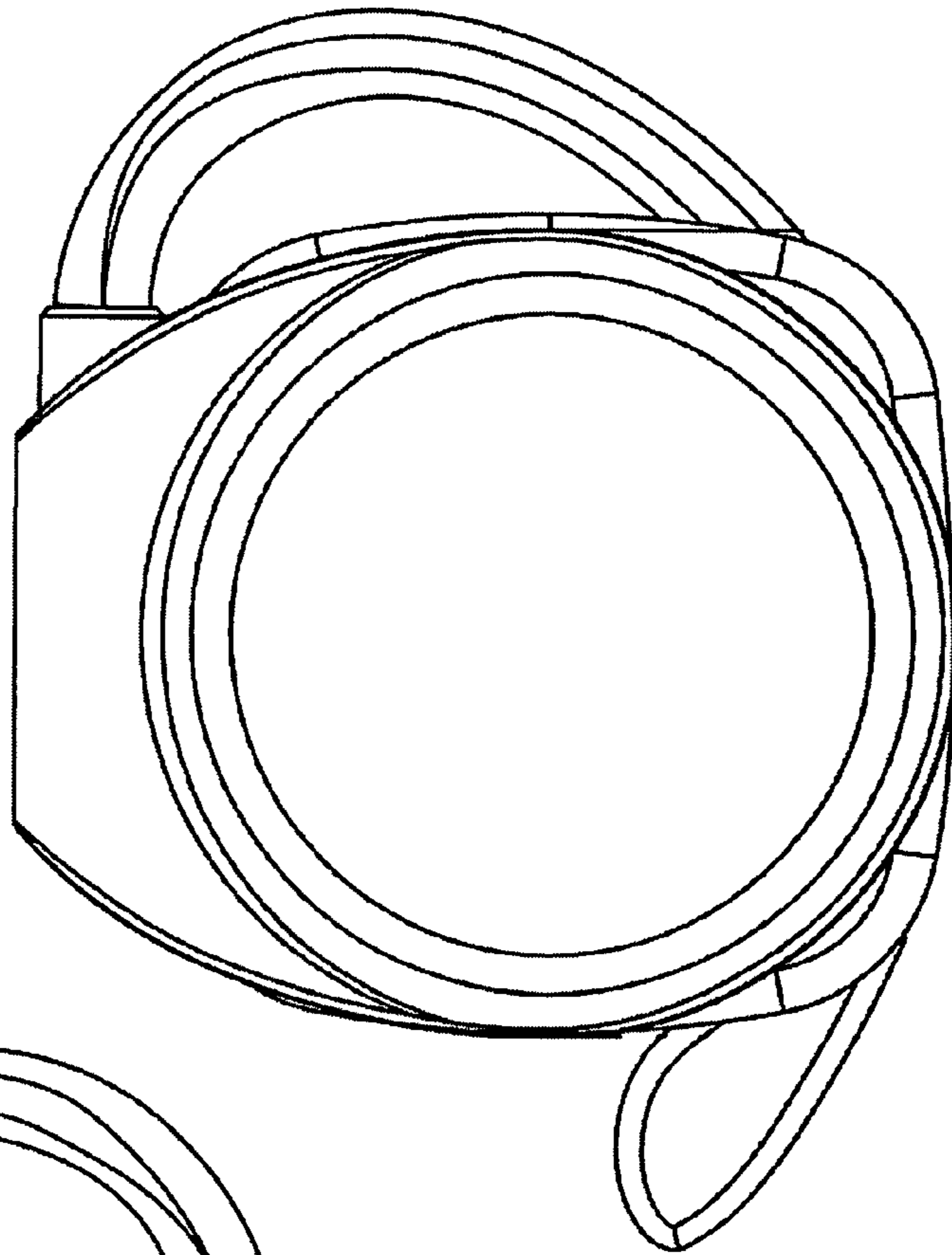
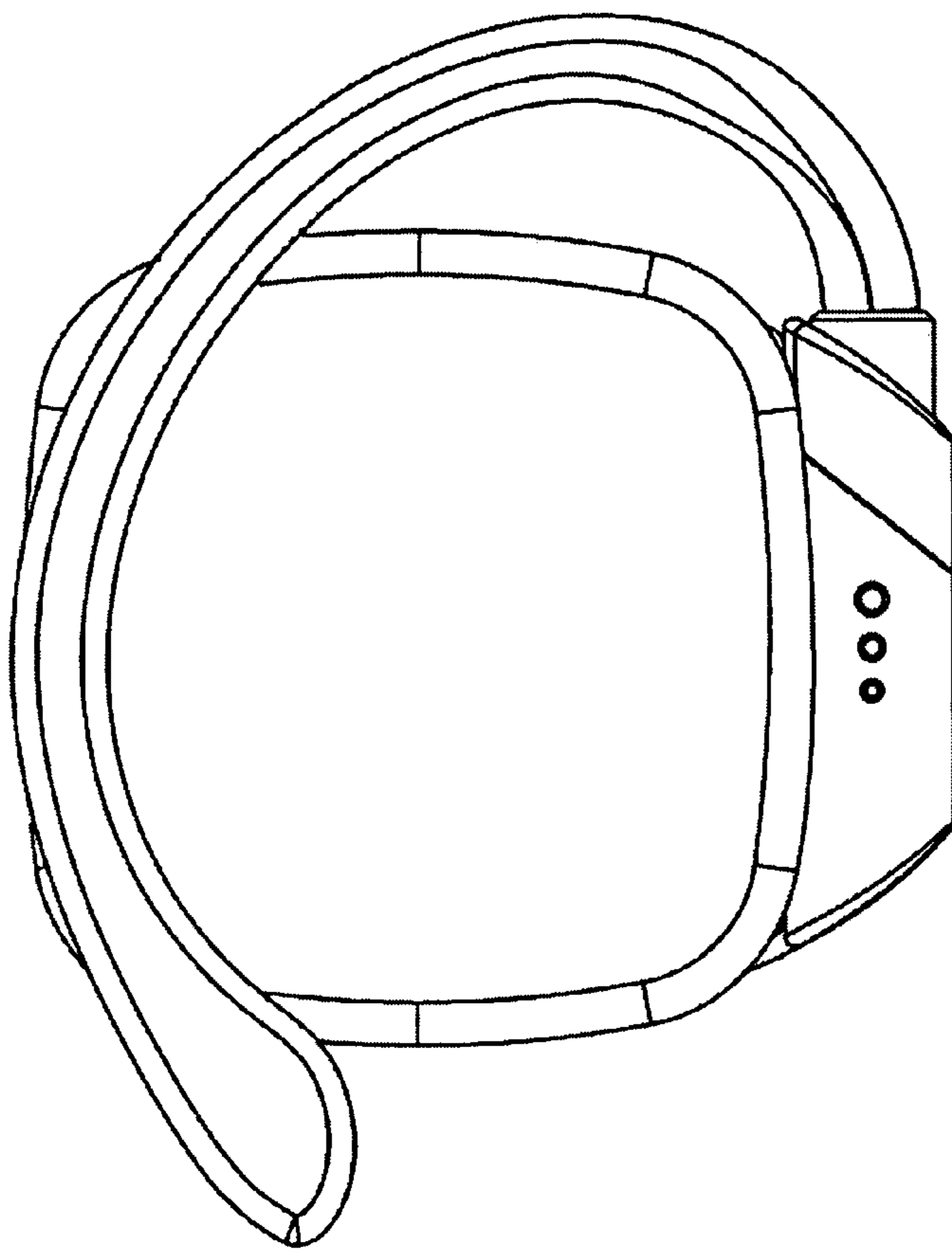


FIG. 3



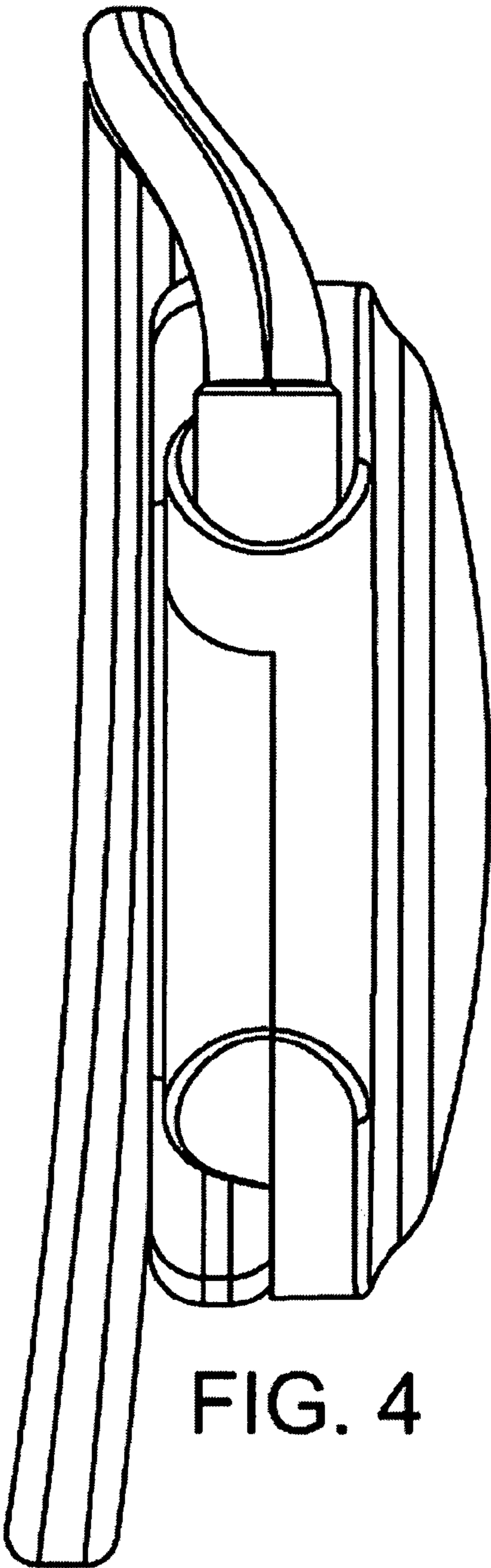


FIG. 4

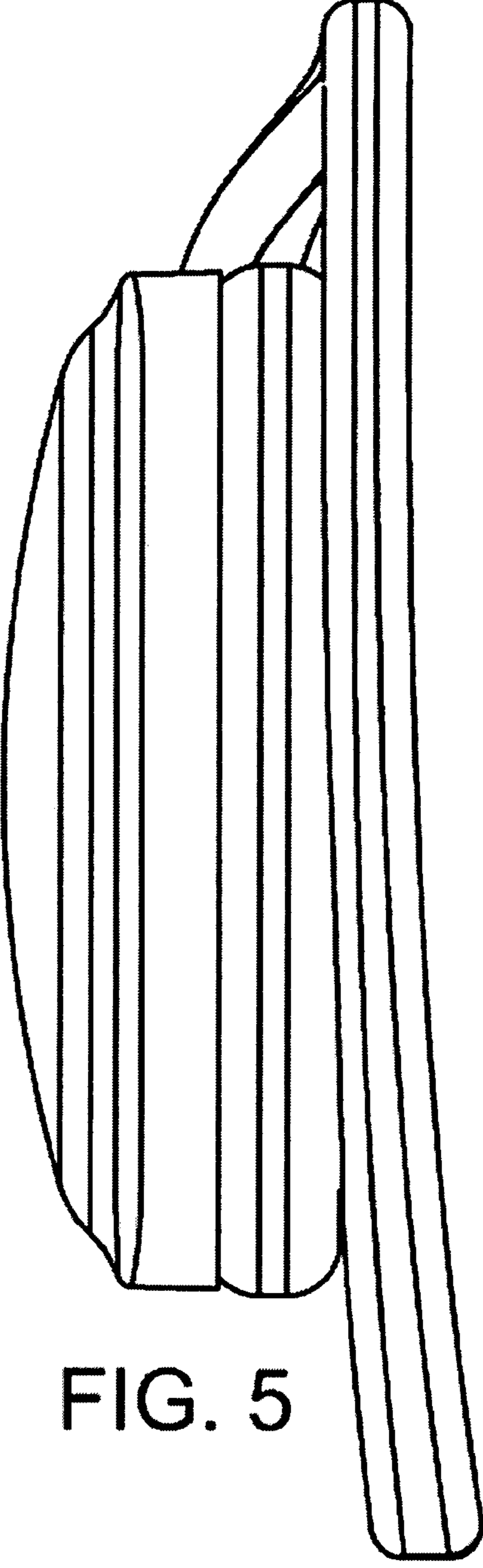


FIG. 5

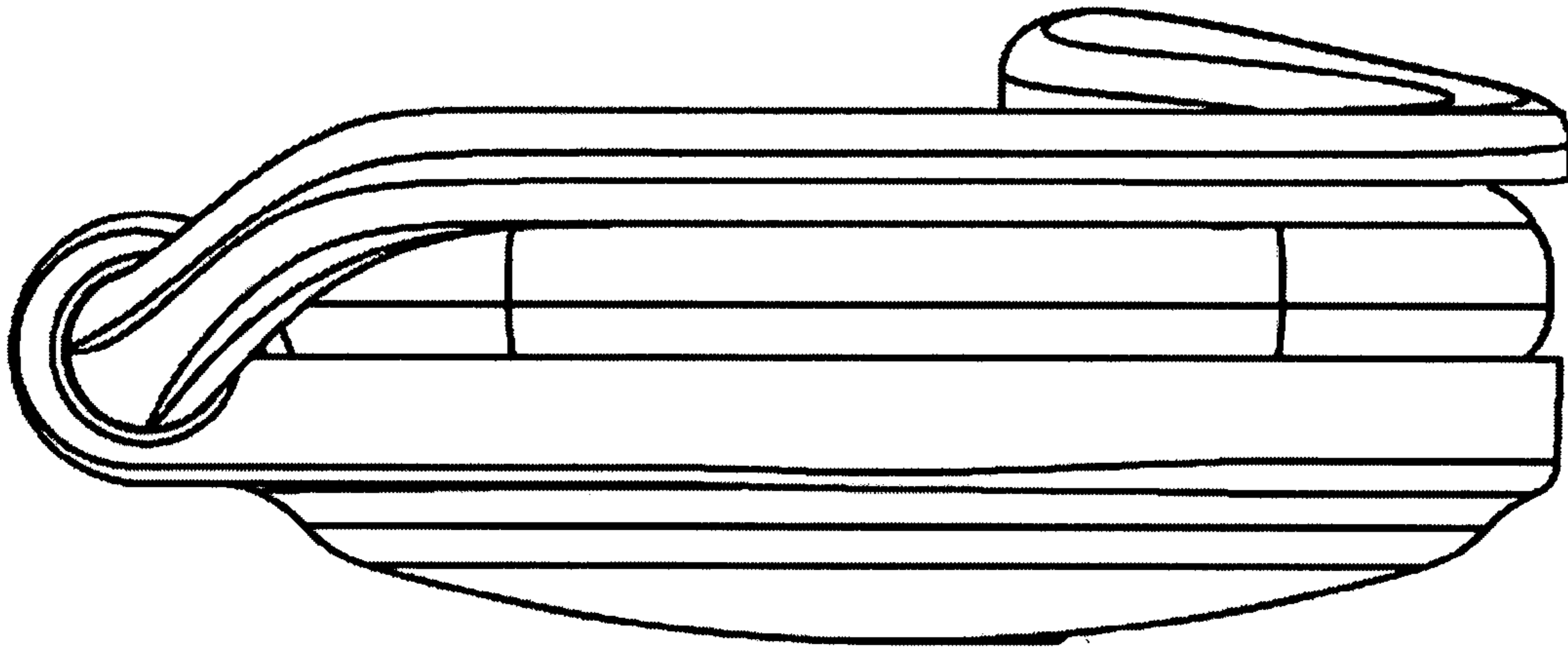


FIG. 6

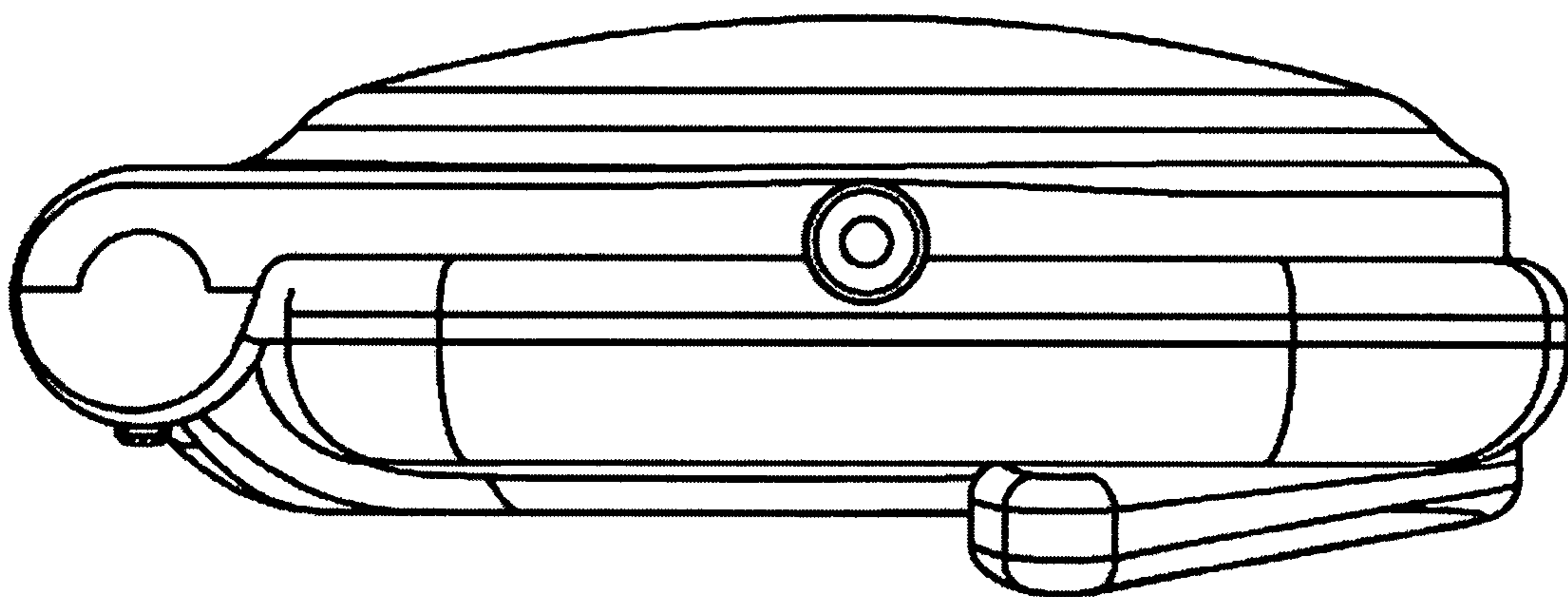


FIG. 7