



US00D584281S

(12) **United States Design Patent**  
**Kim et al.**

(10) **Patent No.:** **US D584,281 S**  
(45) **Date of Patent:** **\*\* Jan. 6, 2009**

(54) **HOME THEATER RECEIVER**

(75) Inventors: **Seong Min Kim**, Seoul (KR); **Il Soo Yeom**, Seoul (KR)

(73) Assignee: **LG Electronics Inc.**, Seoul (KR)

(\*\*) Term: **14 Years**

(21) Appl. No.: **29/290,870**

(22) Filed: **Jan. 24, 2008**

(30) **Foreign Application Priority Data**

Jul. 26, 2007 (KR) ..... 30-2007-0032405

(51) **LOC (9) Cl.** ..... **14-03**

(52) **U.S. Cl.** ..... **D14/188; D14/126**

(58) **Field of Classification Search** ..... D14/126,  
D14/137, 138, 155, 160-171, 188, 189, 194,  
D14/197, 198, 204, 207, 214, 217, 265, 299,  
D14/336, 356, 371, 374, 496; D10/2, 65;  
345/156-158; 369/6-12; 370/342-344;  
455/90.1-90.3, 344-355, 899

See application file for complete search history.

(56) **References Cited**

**U.S. PATENT DOCUMENTS**

D385,562 S \* 10/1997 Niijima et al. .... D14/188  
D402,289 S \* 12/1998 Pinchuk et al. .... D14/167  
D448,371 S \* 9/2001 Kim ..... D14/337

D492,270 S \* 6/2004 Natori et al. .... D14/126  
D514,546 S \* 2/2006 Chan ..... D14/171  
D531,162 S \* 10/2006 Kulkarni ..... D14/188  
D533,538 S \* 12/2006 Kulkarni ..... D14/188  
D537,070 S \* 2/2007 Warden ..... D14/214  
D548,720 S \* 8/2007 Harris ..... D14/168  
D572,290 S \* 7/2008 Lim et al. .... D16/230

\* cited by examiner

*Primary Examiner*—Stella M Reid

*Assistant Examiner*—Keli L Acker

(74) *Attorney, Agent, or Firm*—Morgan Lewis & Bockius LLP

(57) **CLAIM**

We claim the ornamental design for home theater receiver, as shown and described.

**DESCRIPTION**

FIG. 1 is a perspective view of home theater receiver showing the new design;

FIG. 2 is a front elevation view thereof;

FIG. 3 is a rear elevation view thereof;

FIG. 4 is a left-side elevation view thereof;

FIG. 5 is a right-side elevation view thereof;

FIG. 6 is a top plan view thereof; and,

FIG. 7 is a bottom plan view thereof.

**1 Claim, 5 Drawing Sheets**

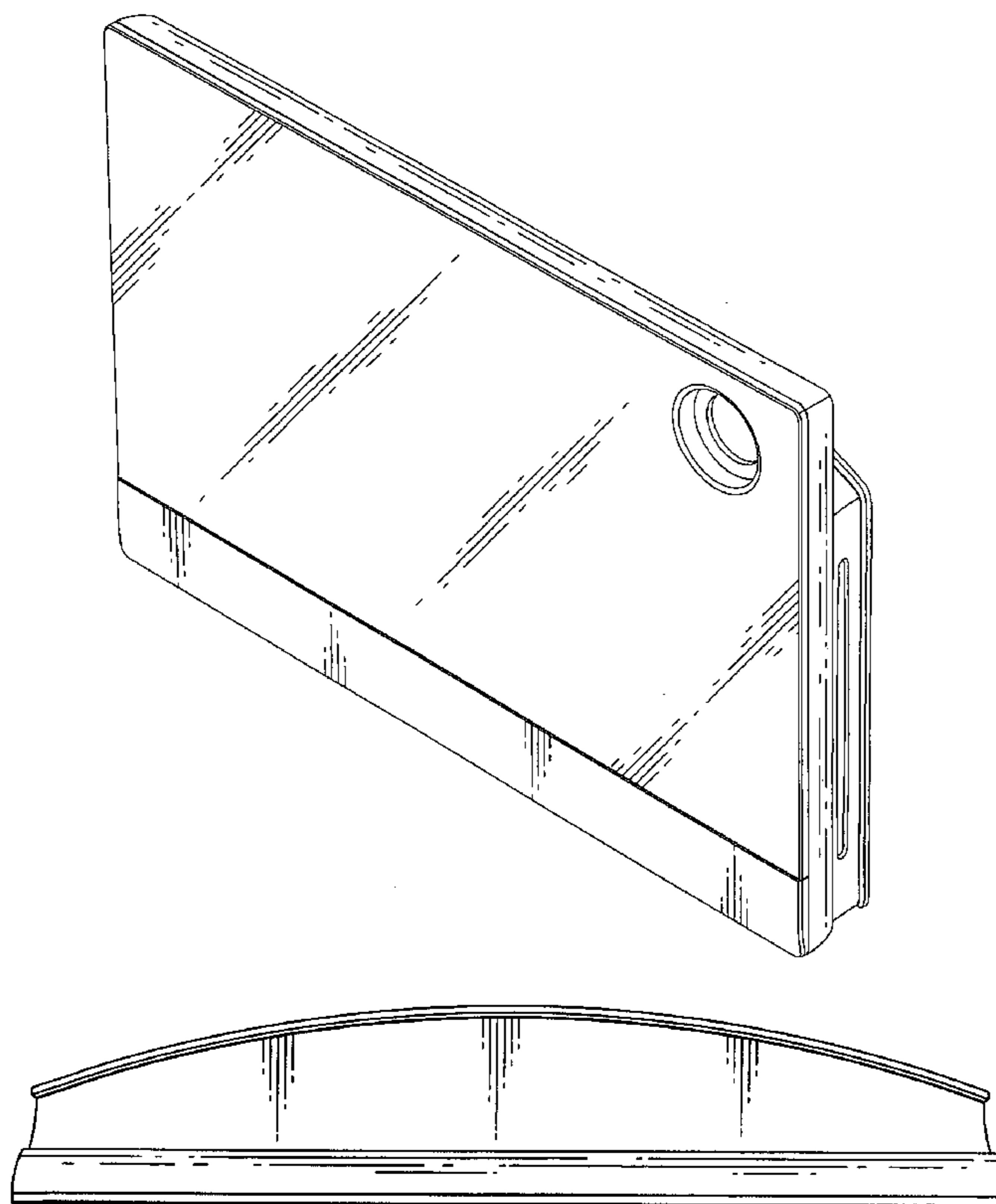


FIG. 1

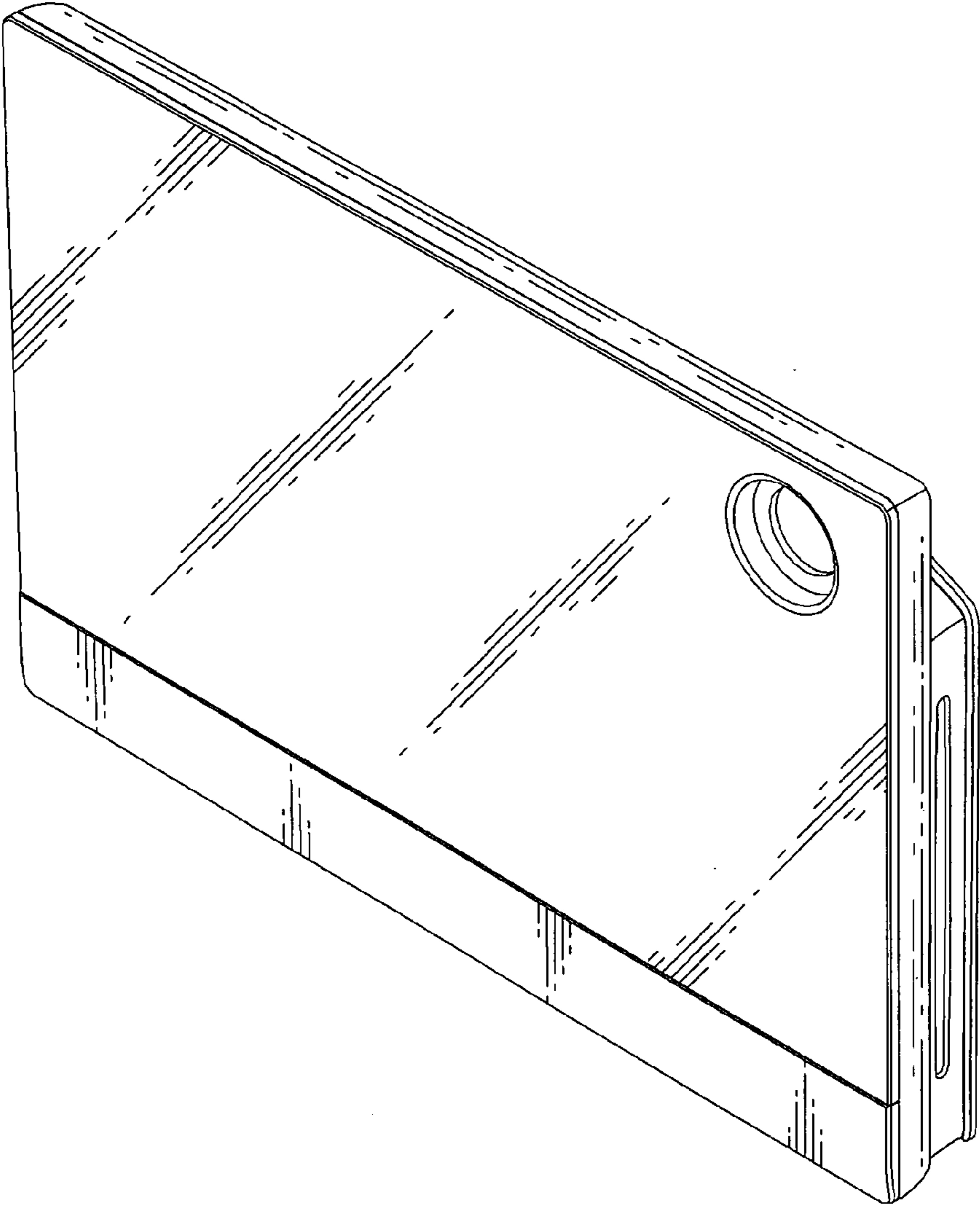


FIG. 2

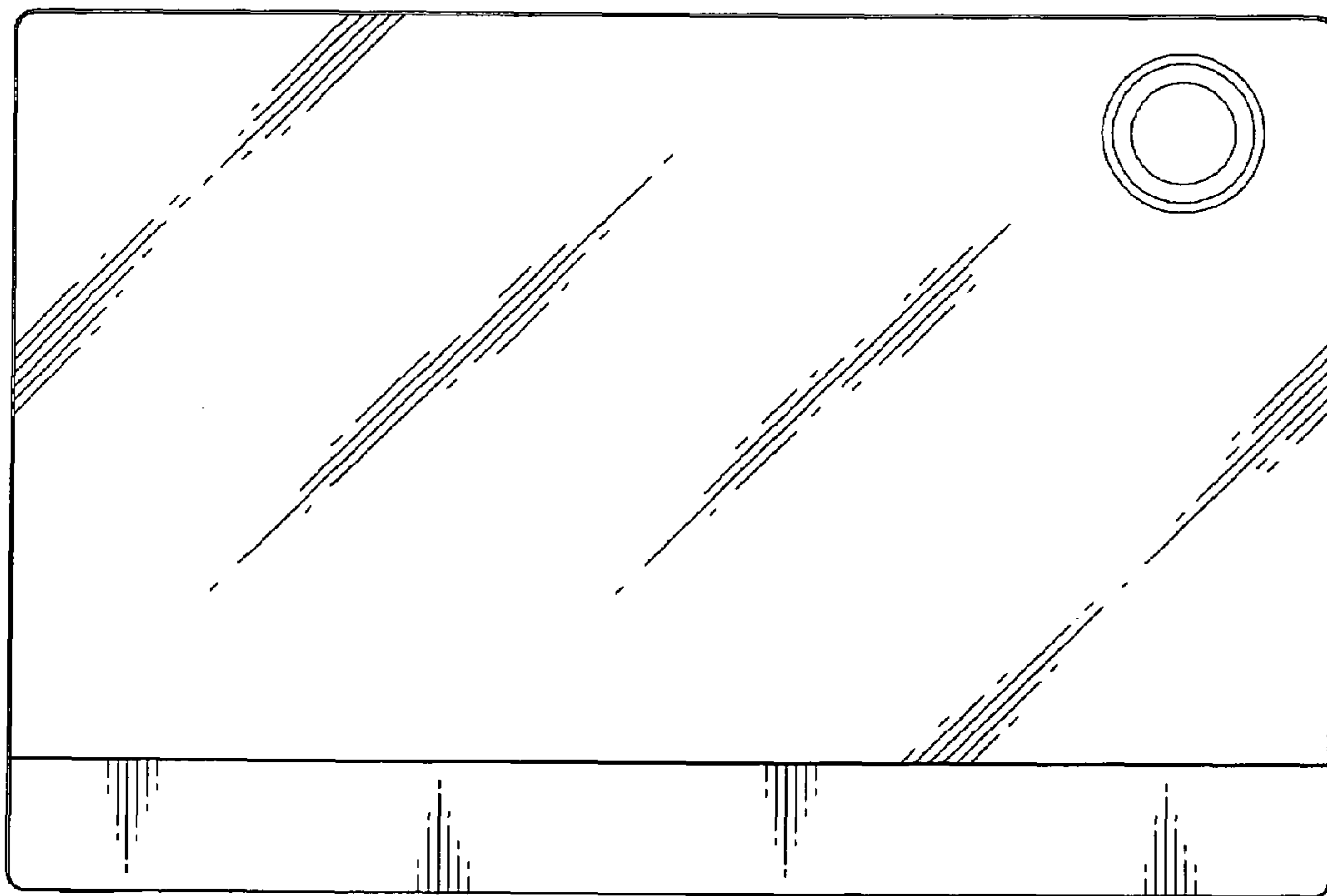


FIG. 3

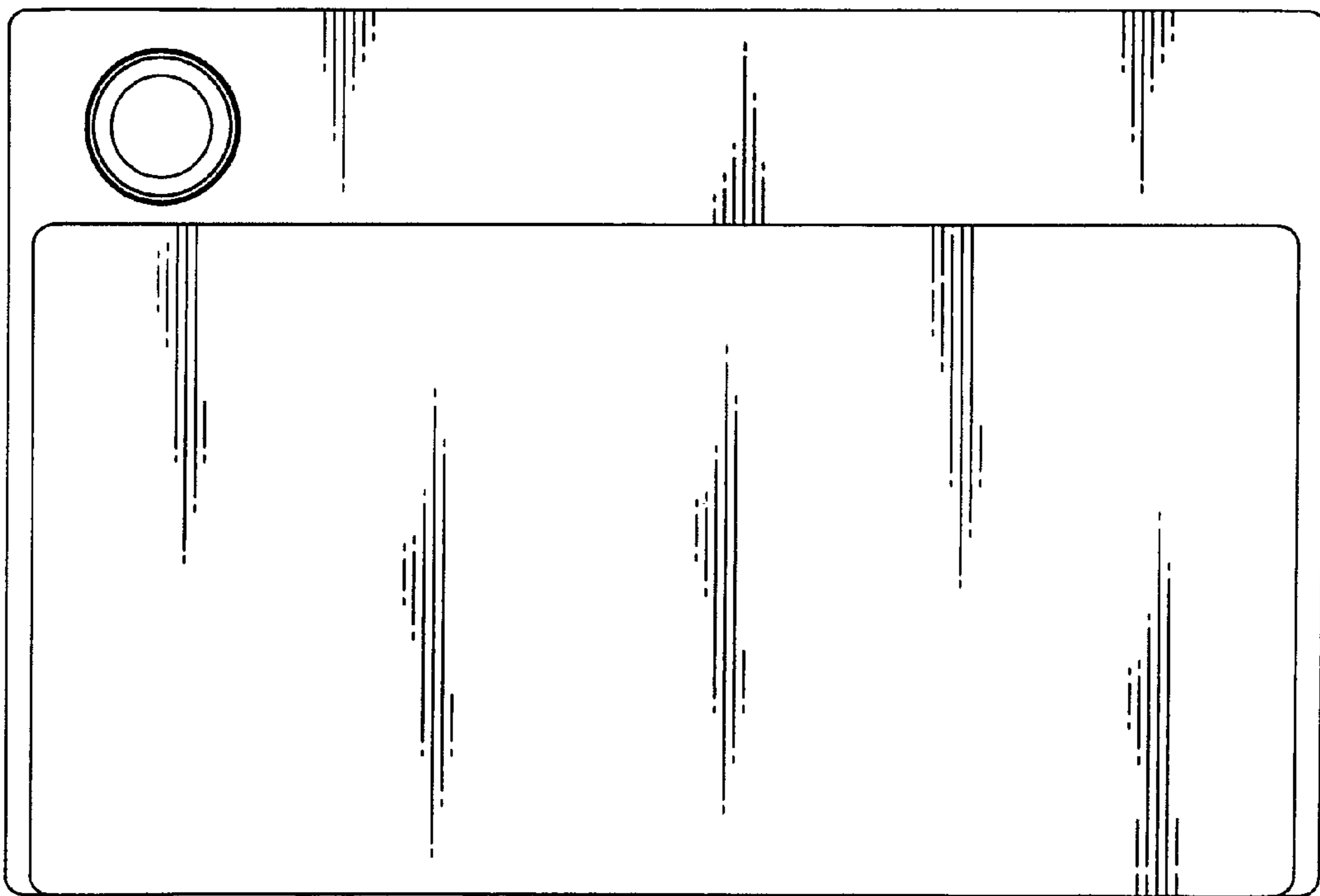


FIG. 4

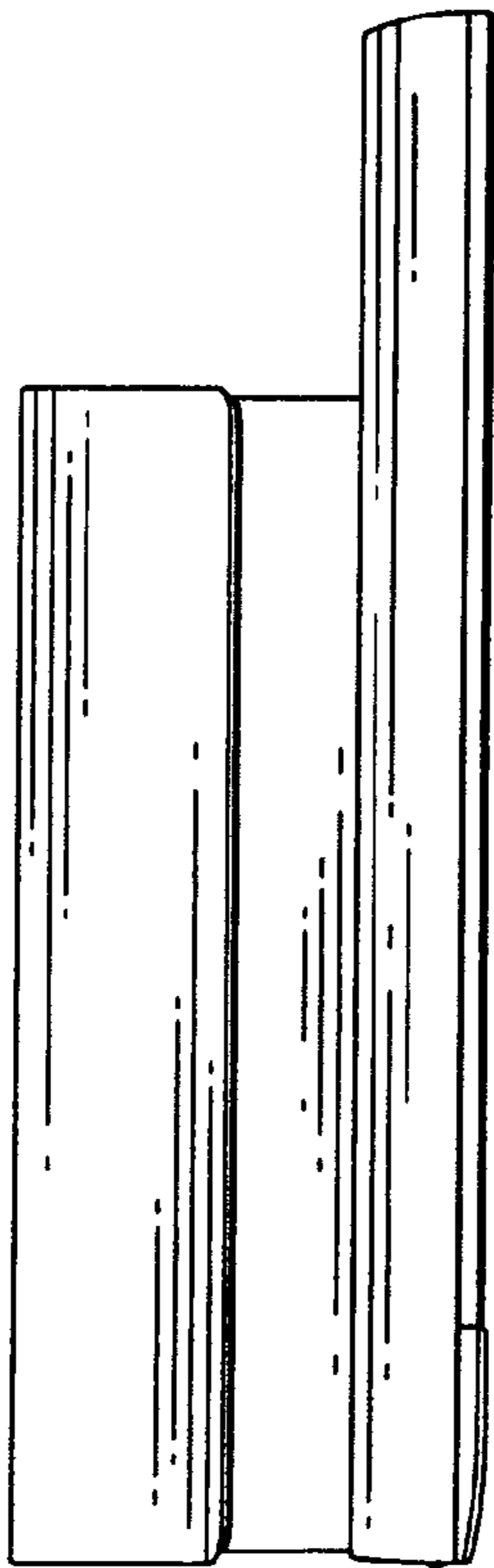


FIG. 5

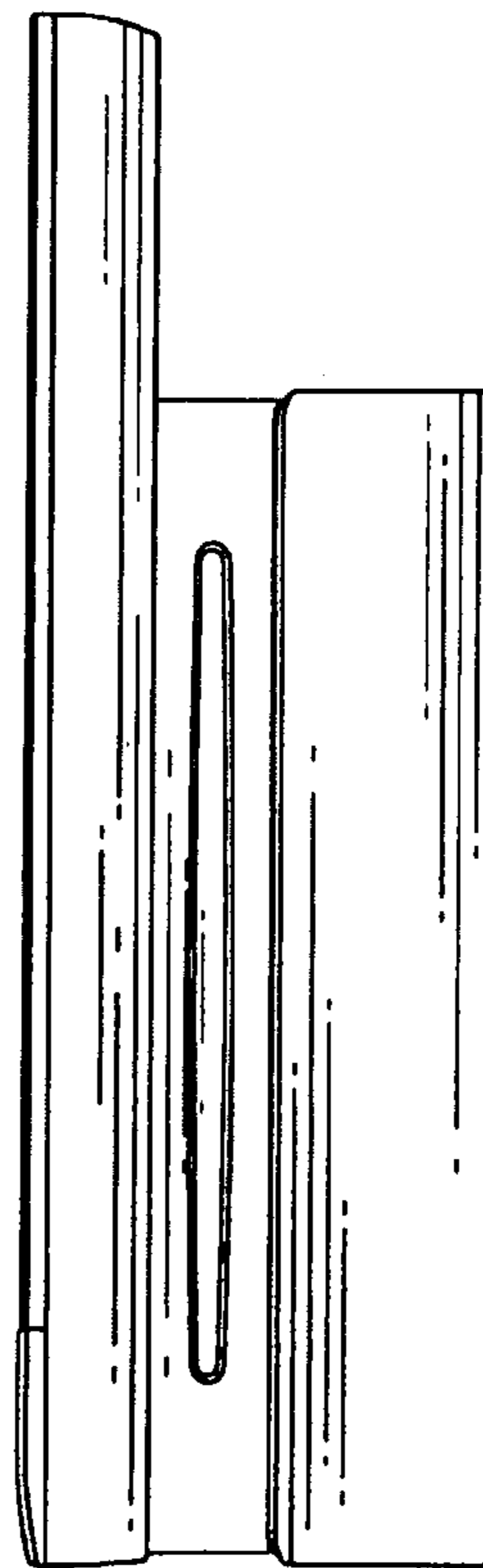


FIG.6

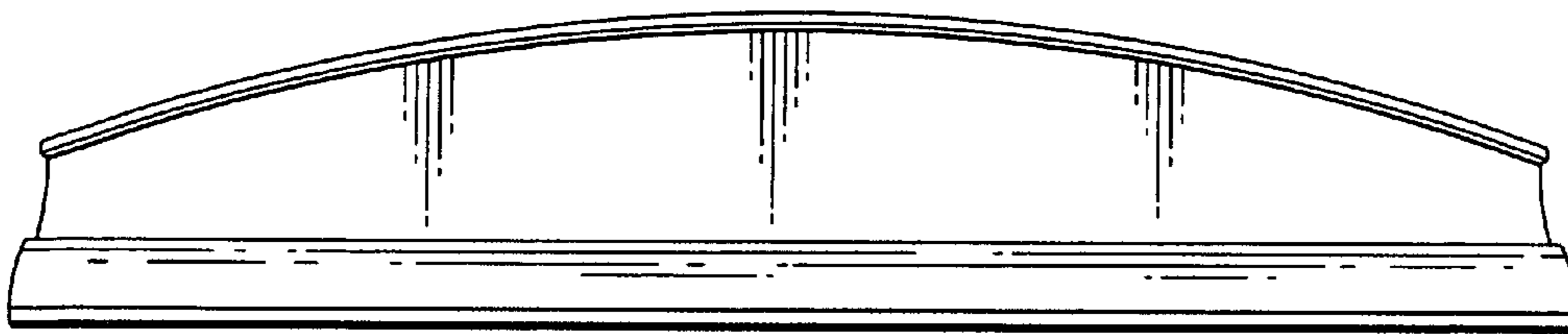


FIG.7

