



US00D584280S

(12) **United States Design Patent**
Moon et al.

(10) **Patent No.:** **US D584,280 S**
(45) **Date of Patent:** **** Jan. 6, 2009**

(54) **MOBILE PHONE**

(75) Inventors: **Yeo-Jin Moon**, Seoul (KR); **Joon-Suh Kim**, Anyang-si (KR); **Gee-Hong Yoon**, Seongnam-si (KR)

(73) Assignee: **Samsung Electronics Co., Ltd.**, Suwon-Si (KR)

(**) Term: **14 Years**

(21) Appl. No.: **29/318,910**

(22) Filed: **May 30, 2008**

(30) **Foreign Application Priority Data**

Jan. 28, 2008 (KR) 30-2008-0004047

(51) **LOC (9) Cl.** **14-03**

(52) **U.S. Cl.** **D14/138 AB**

(58) **Field of Classification Search** D14/138,
D14/496, 341, 345, 346; 455/575.3, 575.1

See application file for complete search history.

(56) **References Cited**

U.S. PATENT DOCUMENTS

D496,016	S	*	9/2004	Hoo	D14/138	AB
D500,016	S	*	12/2004	Kim	D14/138	AB
D501,658	S	*	2/2005	Park et al.	D14/138	AB
D502,161	S	*	2/2005	Kim et al.	D14/138	AB
D512,398	S	*	12/2005	Chen et al.	D14/138	AB
D518,465	S	*	4/2006	Van Den Nieuwenhuizen et al.	D14/138	AB
D521,478	S	*	5/2006	Lee et al.	D14/138	AB
D537,429	S	*	2/2007	Fahlgren	D14/138	AB
D539,772	S	*	4/2007	Park et al.	D14/138	AB
D556,164	S	*	11/2007	Dry et al.	D14/138	AB
D560,643	S	*	1/2008	Kim et al.	D14/138	AB
D563,365	S	*	3/2008	Kim	D14/138	AB
D563,376	S	*	3/2008	Arnholt et al.	D14/138	AB
D564,481	S	*	3/2008	Su	D14/138	AB
D565,009	S	*	3/2008	Kim et al.	D14/138	AB
D565,019	S	*	3/2008	Klemettila et al.	...	D14/138	AB
D566,084	S	*	4/2008	Oh et al.	D14/138	AB
D567,796	S	*	4/2008	Jeong et al.	D14/138	AB

D568,863	S	*	5/2008	Lee et al.	D14/138	AB
D570,814	S	*	6/2008	Choi et al.	D14/138	AB
D571,334	S	*	6/2008	Chung et al.	D14/138	
D572,226	S	*	7/2008	Park et al.	D14/138	
D573,574	S	*	7/2008	Suk et al.	D14/138	
D573,966	S	*	7/2008	Park et al.	D14/138	
2004/0142718	A1	*	7/2004	Kim	455/550.1	
2006/0148542	A1	*	7/2006	Oliver	455/575.3	

OTHER PUBLICATIONS

Motorola V975 telephone, announced 3rd quarter 2004, [online], [site visited Sep. 9, 2008]. Available from Internet ,<URL: <http://www.gsmarena.com>>.*

LG F2250 telephone, announced 3rd quarter 2005, [online], [site visited Sep. 9, 2008]. Available from Internet ,<URL: <http://www.gsmarena.com>>.*

Alcatel OT-E259 telephone, announced 1st quarter 2005, [online], [site visited Sep. 9, 2008]. Available from Internet ,<URL: <http://www.gsmarena.com>>.*

BenQ M580 telephone, announced 1st quarter 2006, [online], [site visited Sep. 9, 2008]. Available from Internet ,<URL: <http://www.gsmarena.com>>.*

(Continued)

Primary Examiner—Jeffrey D Asch

(74) *Attorney, Agent, or Firm*—Staas & Halsey LLP

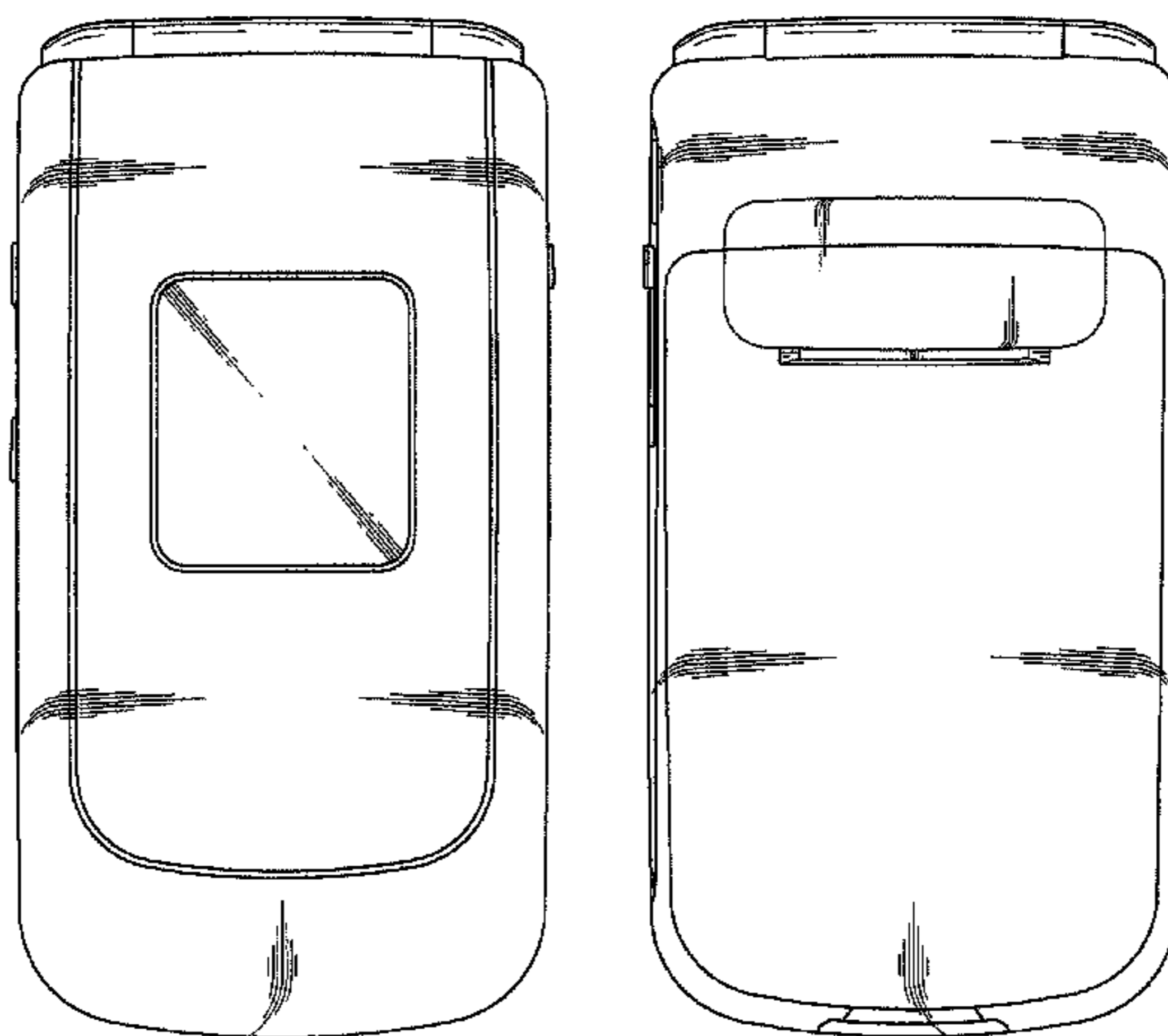
(57) **CLAIM**

The ornamental design for a mobile phone, as shown and described.

DESCRIPTION

FIG. 1 is a perspective view of a mobile phone;
FIG. 2 is a front view of the mobile phone of FIG. 1;
FIG. 3 is a rear view of the mobile phone of FIG. 1;
FIG. 4 is a left-side view of the mobile phone of FIG. 1;
FIG. 5 is a right-side view of the mobile phone of FIG. 1;
FIG. 6 is a top plan view of the mobile phone of FIG. 1;
FIG. 7 is a bottom plan view of the mobile phone of FIG. 1;
and,
FIG. 8 is a front open view of the portable phone of FIG. 1.

1 Claim, 6 Drawing Sheets



OTHER PUBLICATIONS

Philips Xenium 9@9i telephone, announced 1st quarter 2005, [online], [site visited Sep. 9, 2008]. Available from Internet ,<URL: <http://www.gsmarena.com>>.*

BenQ-Siemens EF91 telephone, announced Feb. 2006, [online], [site visited Sep. 9, 2008]. Available from Internet ,<URL: <http://www.gsmarena.com>>.*

* cited by examiner

FIG. 1

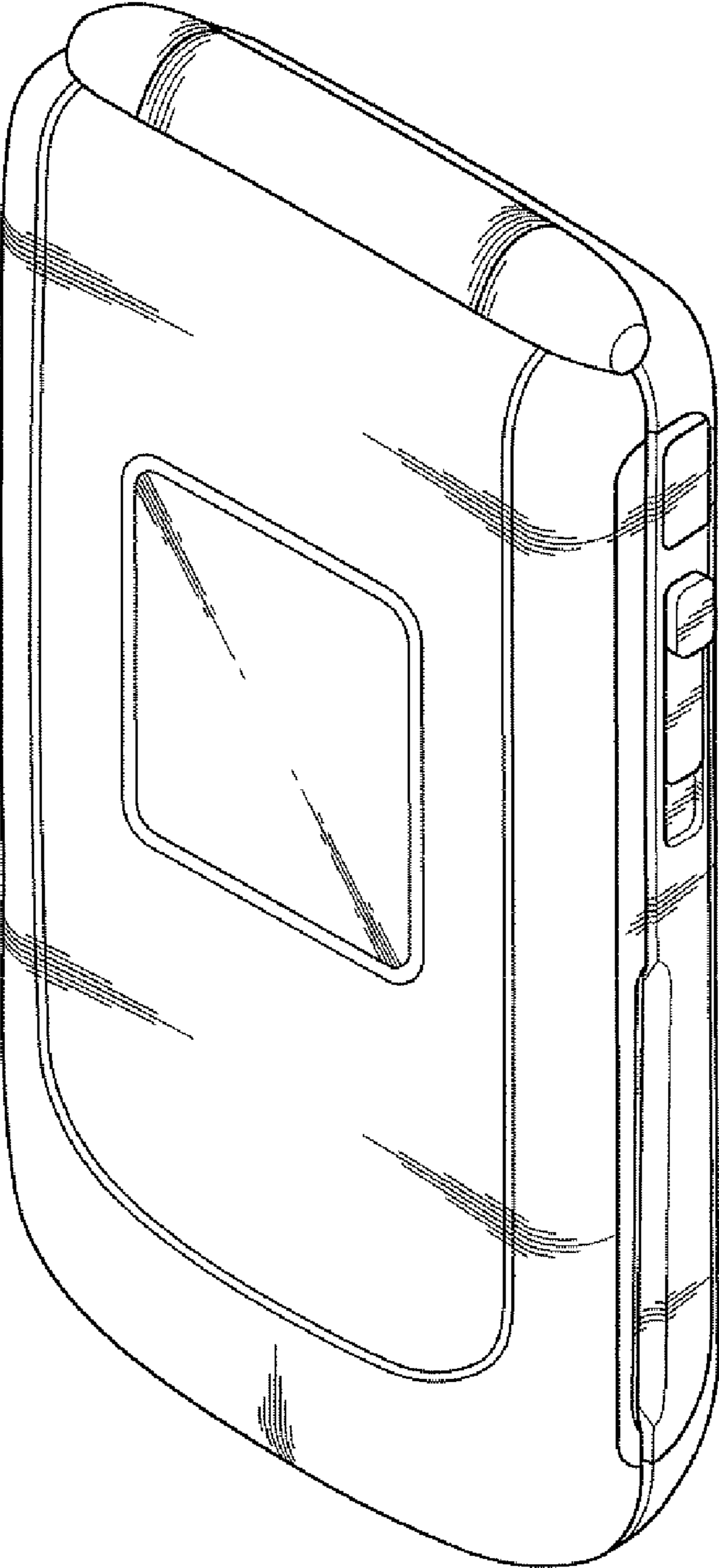


FIG. 2

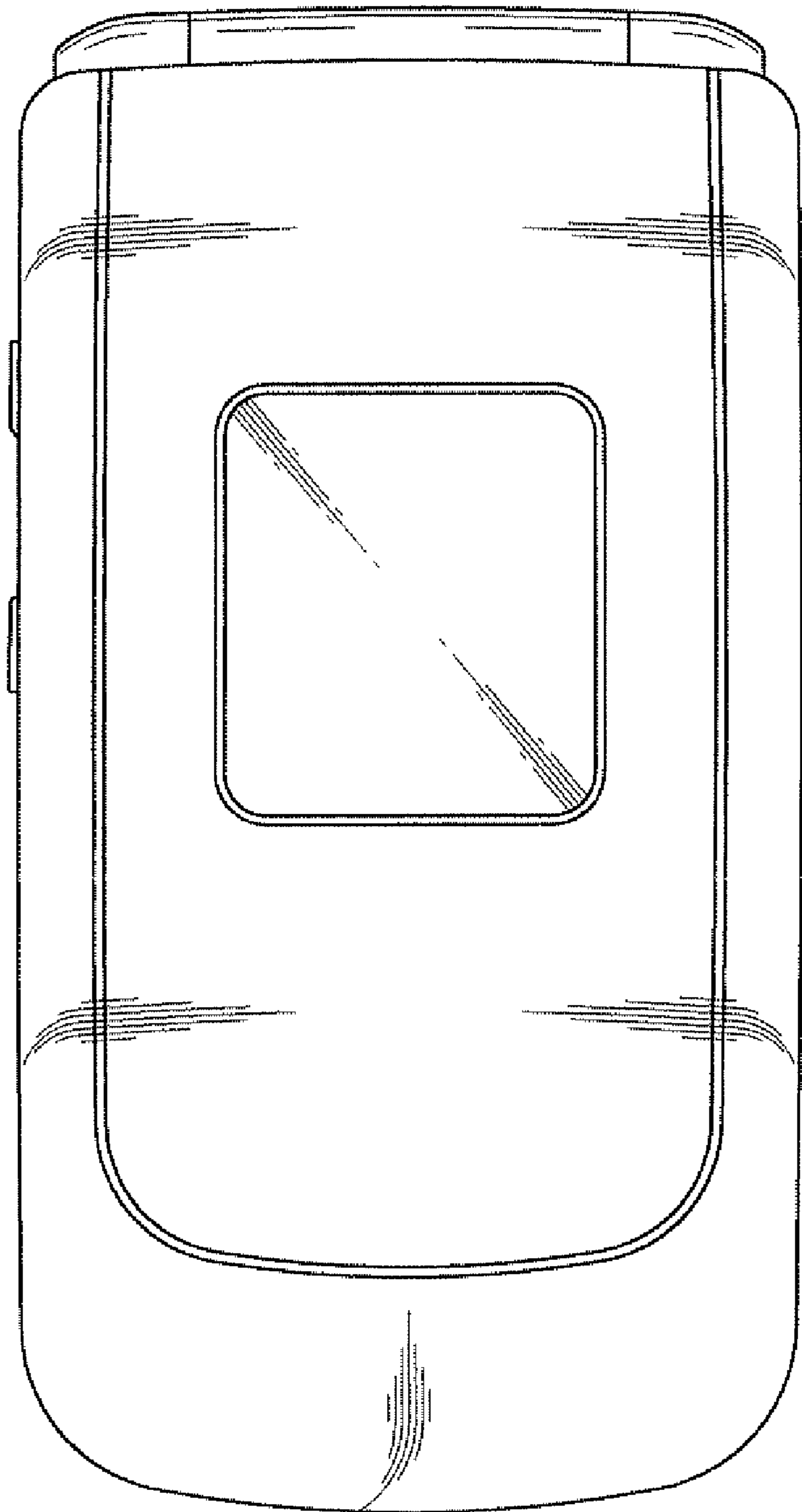


FIG. 3

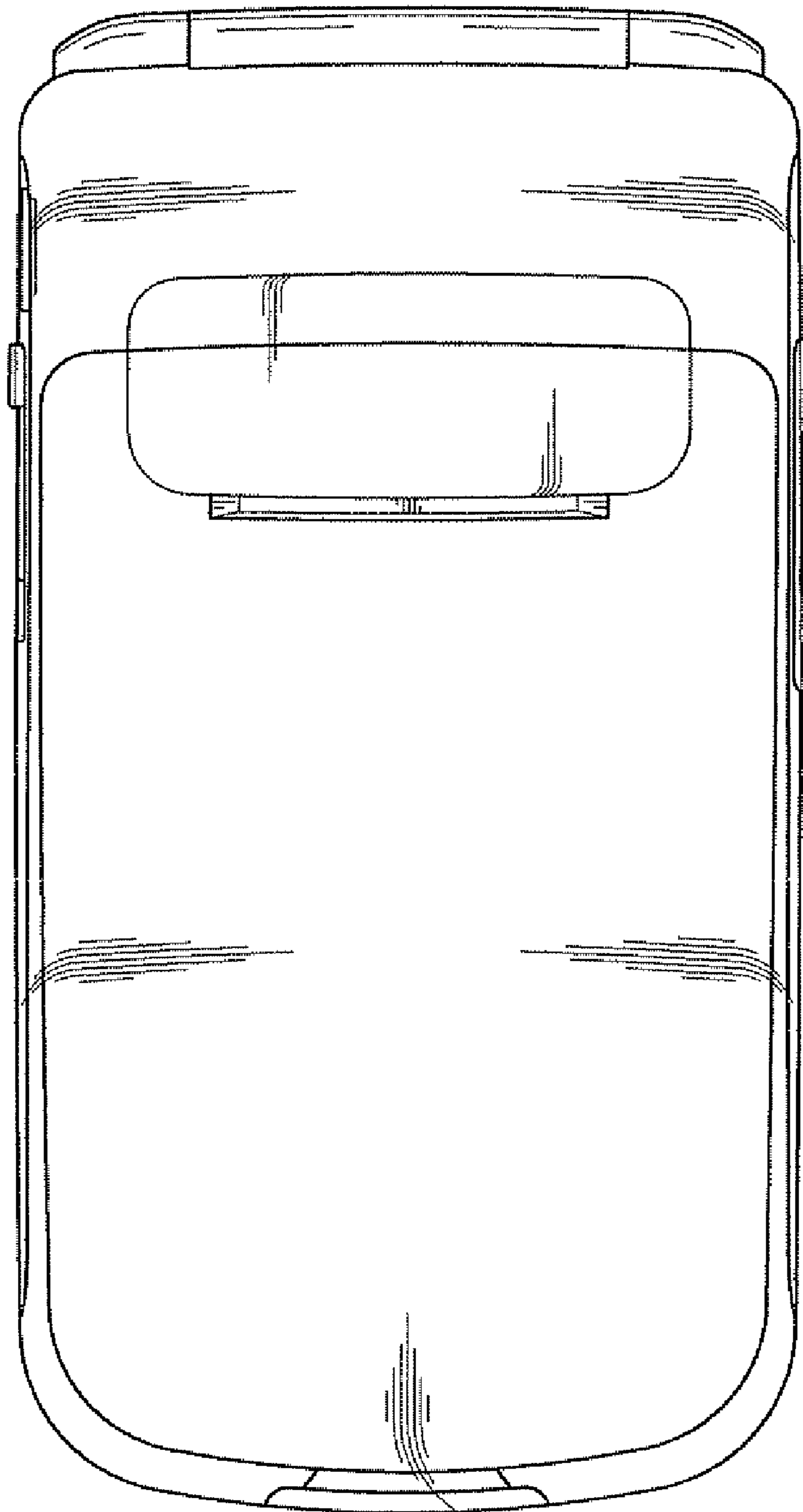


FIG. 4

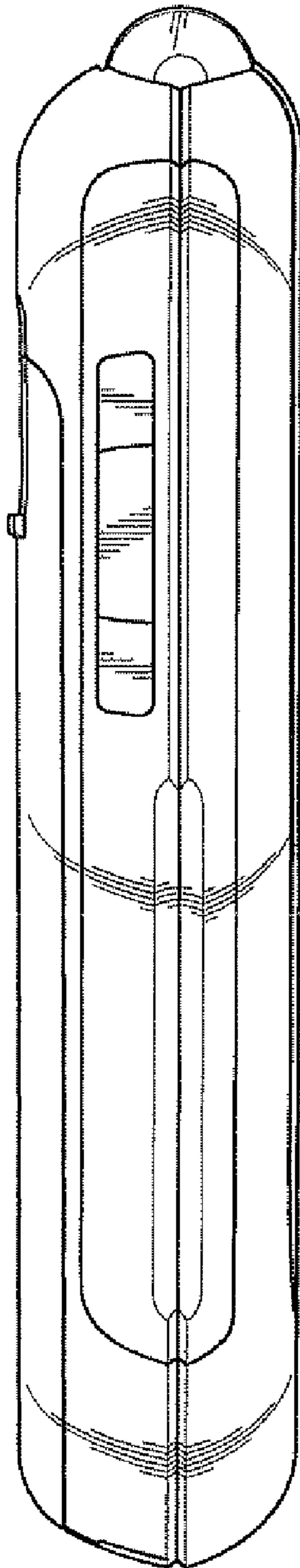


FIG. 5

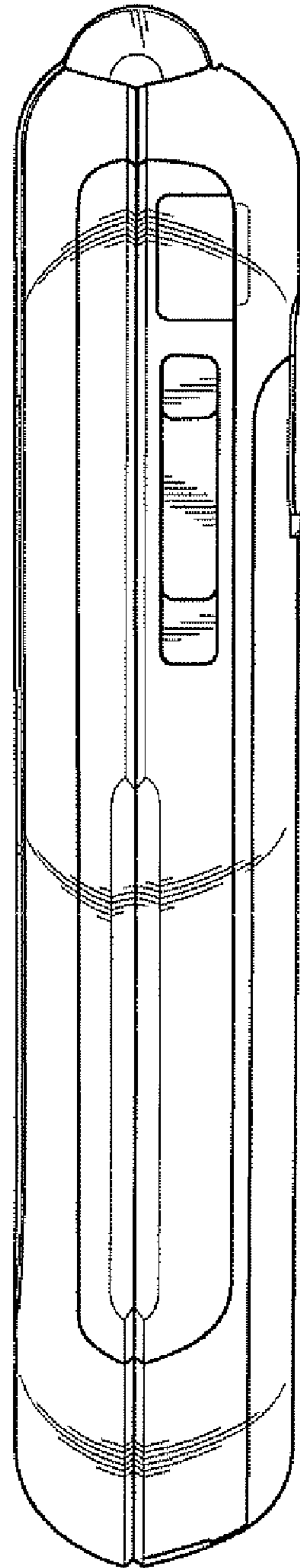


FIG. 6

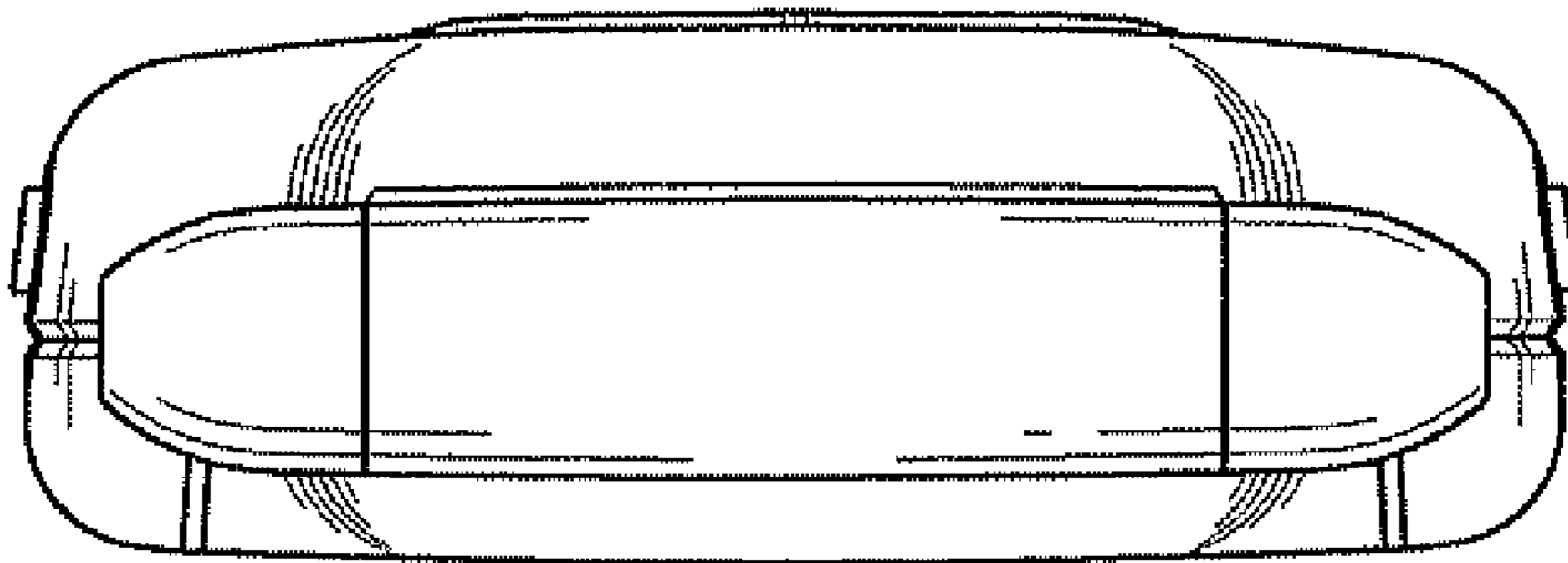


FIG. 7

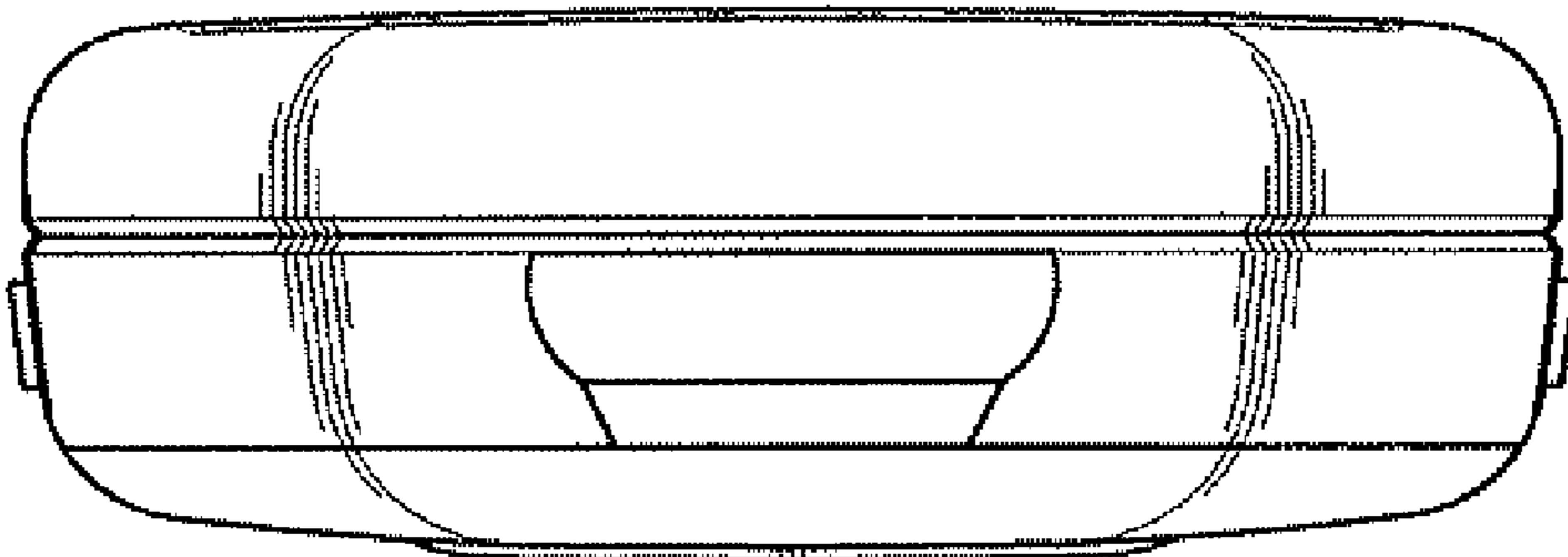


FIG. 8

