



US00D584276S

(12) **United States Design Patent**
Kim et al.

(10) **Patent No.:** **US D584,276 S**
(45) **Date of Patent:** **** Jan. 6, 2009**

(54) **MOBILE PHONE**

(75) Inventors: **Young-Sae Kim**, Palo Alto, CA (US);
Ji-Eun Lee, Seoul (KR); **Young-Ju Yeo**,
Seoul (KR); **Chang-Soo Lee**, Incheon
(KR)

(73) Assignee: **Samsung Electronics Co., Ltd.**,
Suwon-Si (KR)

(**) Term: **14 Years**

(21) Appl. No.: **29/300,557**

(22) Filed: **Apr. 8, 2008**

(30) **Foreign Application Priority Data**

Nov. 1, 2007 (KR) 30-2007-0045592

(51) **LOC (9) Cl.** **14-03**

(52) **U.S. Cl.** **D14/138 AB**

(58) **Field of Classification Search** D14/138,
D14/496, 341-347; 455/575.3, 575.1

See application file for complete search history.

(56) **References Cited**

U.S. PATENT DOCUMENTS

D292,706 S *	11/1987	Fischer	D14/345
D503,697 S *	4/2005	Kim	D14/138 AB
D508,035 S *	8/2005	Kim et al.	D14/138 AB
6,975,273 B1 *	12/2005	Choi	343/702
D519,966 S *	5/2006	Salmi et al.	D14/138 AB
D539,772 S *	4/2007	Park et al.	D14/138 AB
D543,172 S *	5/2007	Lee et al.	D14/138 AB
D545,287 S *	6/2007	Han et al.	D14/138 AB
D560,186 S *	1/2008	Kim et al.	D14/138 AB
D560,189 S *	1/2008	Kim et al.	D14/138 AB
D560,637 S *	1/2008	Yang et al.	D14/138 AB
D563,344 S *	3/2008	Kim et al.	D14/138 AB
D563,365 S *	3/2008	Kim	D14/138 AB
D563,924 S *	3/2008	Arnold et al.	D14/138 AB
D567,207 S *	4/2008	Kim et al.	D14/138 AB
D567,780 S *	4/2008	Kim et al.	D14/138 AB
D568,858 S *	5/2008	Han et al.	D14/138 AB
D571,337 S *	6/2008	Lee et al.	D14/138
D571,345 S *	6/2008	Kim et al.	D14/138

D571,772 S *	6/2008	Kim et al.	D14/138
D571,773 S *	6/2008	Kim et al.	D14/138
D572,690 S *	7/2008	Kim et al.	D14/138
D573,127 S *	7/2008	Choi et al.	D14/138
D573,575 S *	7/2008	Song et al.	D14/138
2005/0227747 A1 *	10/2005	Song	455/575.3

OTHER PUBLICATIONS

Samsung E210 telephone, announced Aug. 2007, [online], [site visited Sep. 23, 2008]. Available from Internet ,<URL: <http://www.gsmarena.com>>.*

Samsung T400 telephone, announced 4th quarter 2003, [online], [site visited Sep. 23, 2008]. Available from Internet ,<URL: <http://www.gsmarena.com>>.*

Samsung E870 telephone, announced 1st quarter 2006, [online], [site visited Sep. 23, 2008]. Available from Internet ,<URL: <http://www.gsmarena.com>>.*

Samsung X410 telephone, announced 2nd quarter 2003, [online], [site visited Sep. 23, 2008]. Available from Internet ,<URL: <http://www.gsmarena.com>>.*

Nokia 6170 telephone, announced 3rd quarter 2004, [online], [site visited Sep. 23, 2008]. Available from Internet ,<URL: <http://www.gsmarena.com>>.*

(Continued)

Primary Examiner—Jeffrey D Asch

(74) *Attorney, Agent, or Firm*—Staas & Halsey LLP

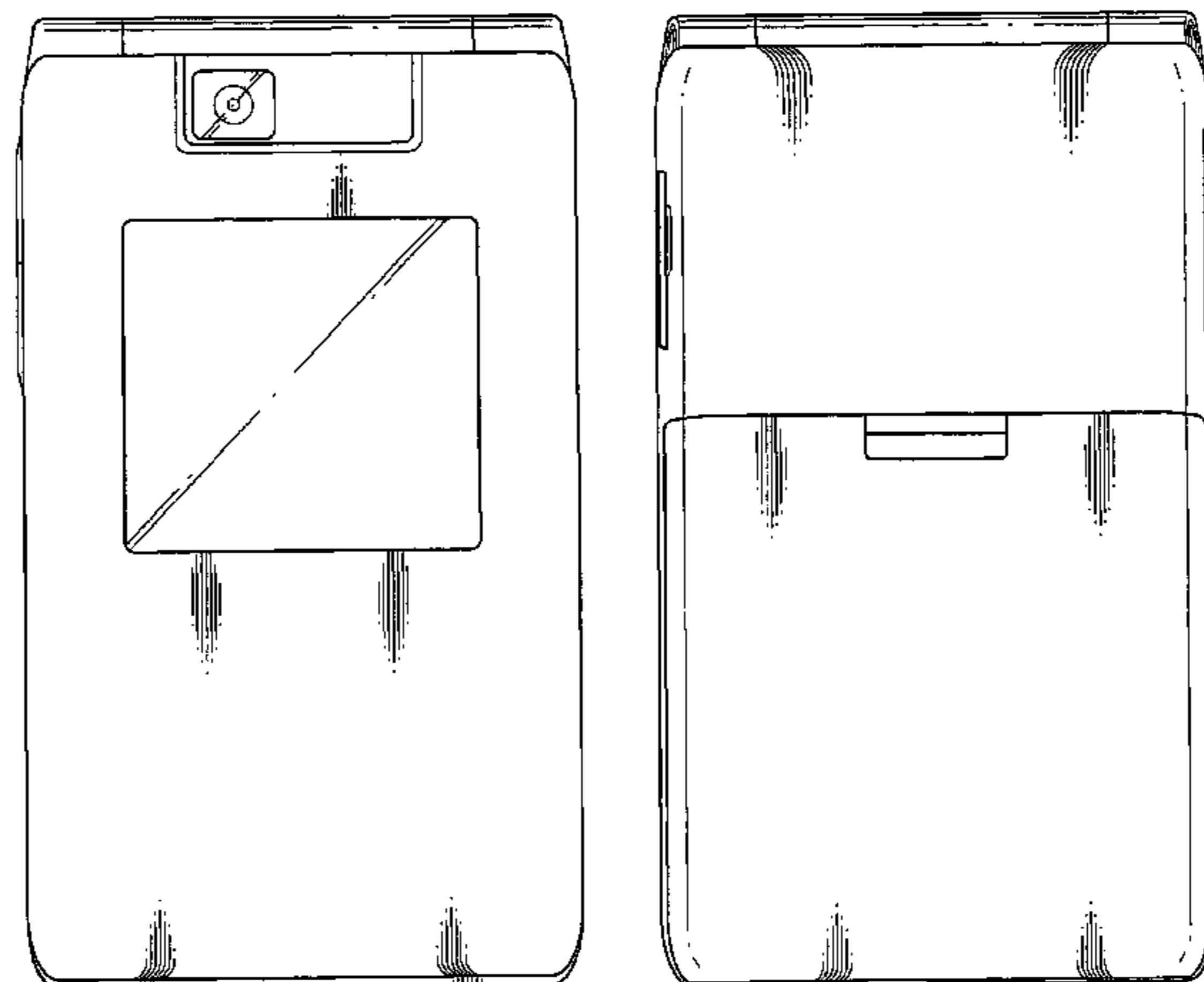
(57) **CLAIM**

The ornamental design for a mobile phone, as shown and described.

DESCRIPTION

FIG. 1 is a perspective view of a mobile phone;
FIG. 2 is a front view of the mobile phone of FIG. 1;
FIG. 3 is a rear view of the mobile phone of FIG. 1;
FIG. 4 is a left-side view of the mobile phone of FIG. 1;
FIG. 5 is a right-side view of the mobile phone of FIG. 1;
FIG. 6 is a top plan view of the mobile phone of FIG. 1;
FIG. 7 is a bottom plan view of the mobile phone of FIG. 1;
and,
FIG. 8 is a front open view of the mobile phone of FIG. 1.

1 Claim, 6 Drawing Sheets



OTHER PUBLICATIONS

Pantech PG-2800 telephone, announced May 2006, [online], [site visited Sep. 23, 2008]. Available from Internet ,<URL: <http://www.gsmarena.com>>.*

BenQ-Siemens EF71 telephone, announced May 2006, [online], [site visited Sep. 23, 2008]. Available from Internet ,<URL: <http://www.gsmarena.com>>.*

* cited by examiner

FIG. 1

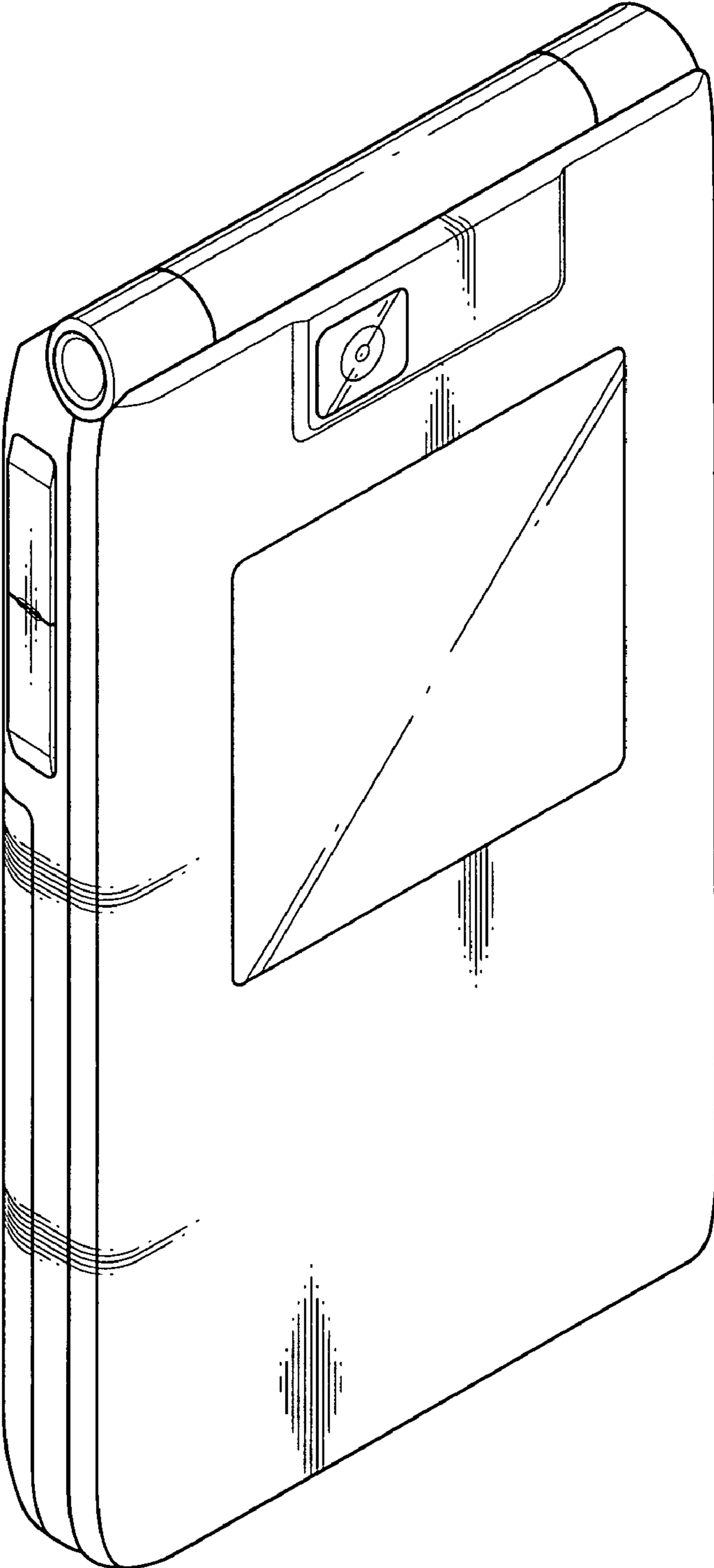


FIG. 2

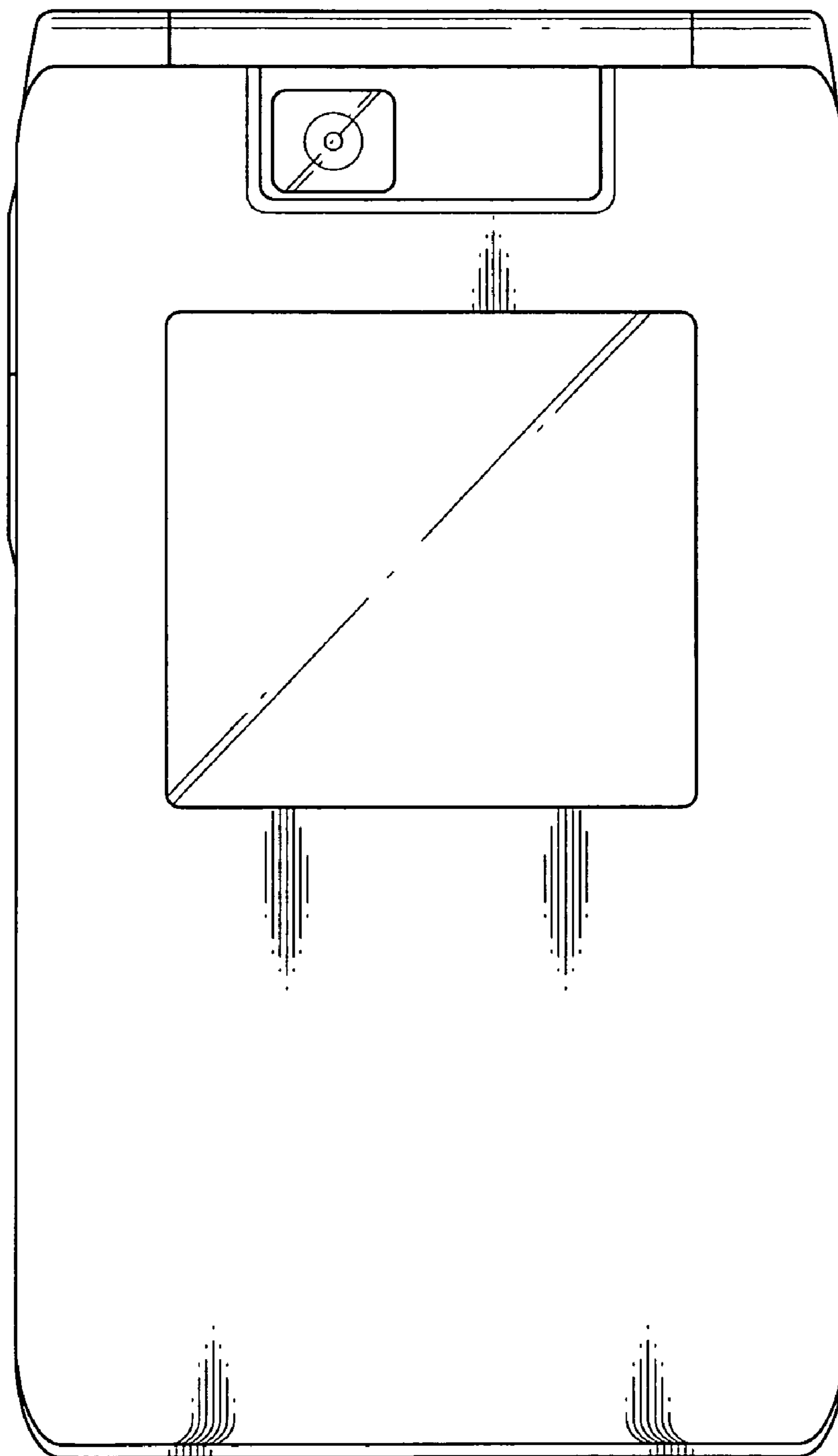


FIG. 3

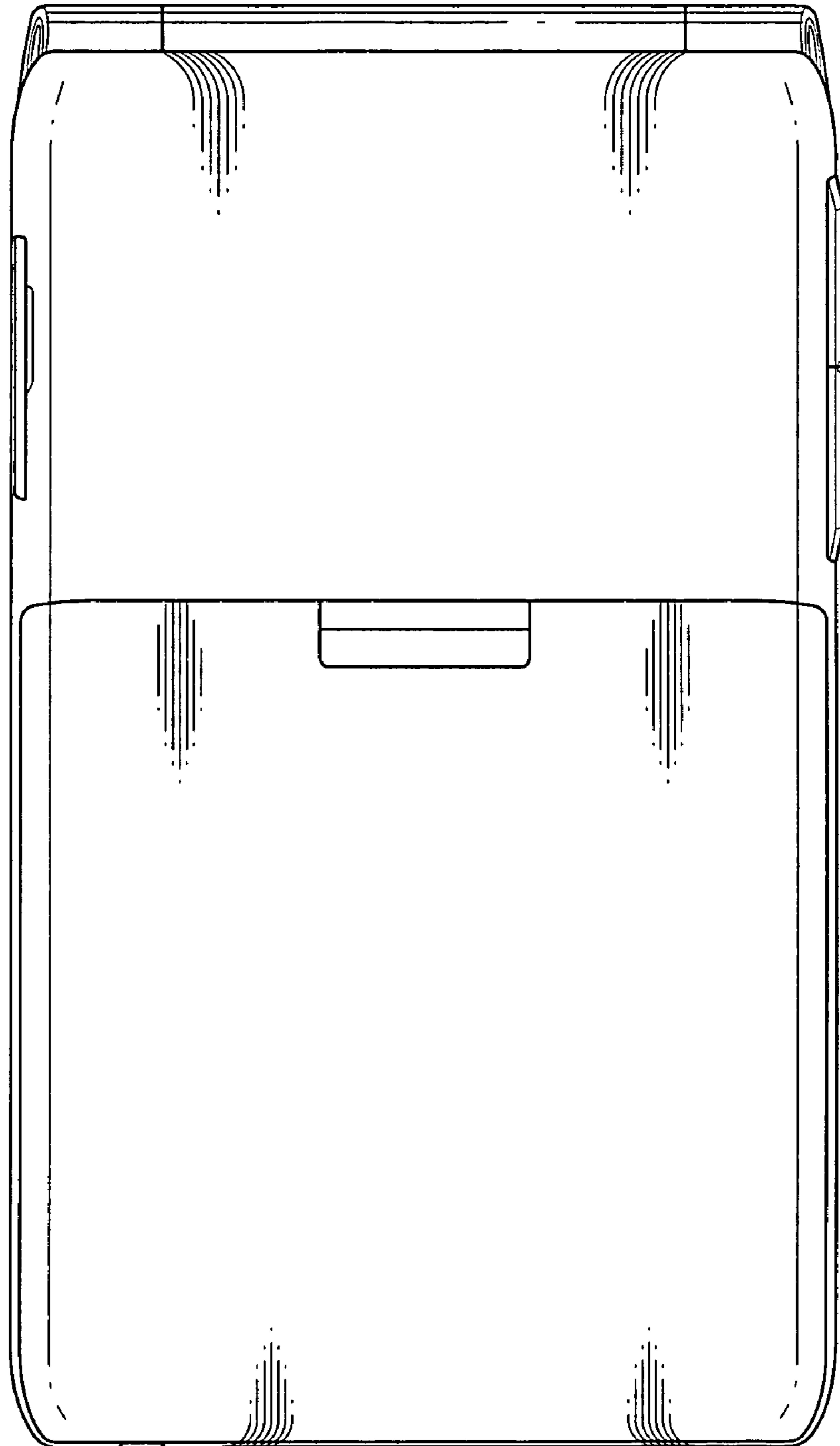


FIG. 4

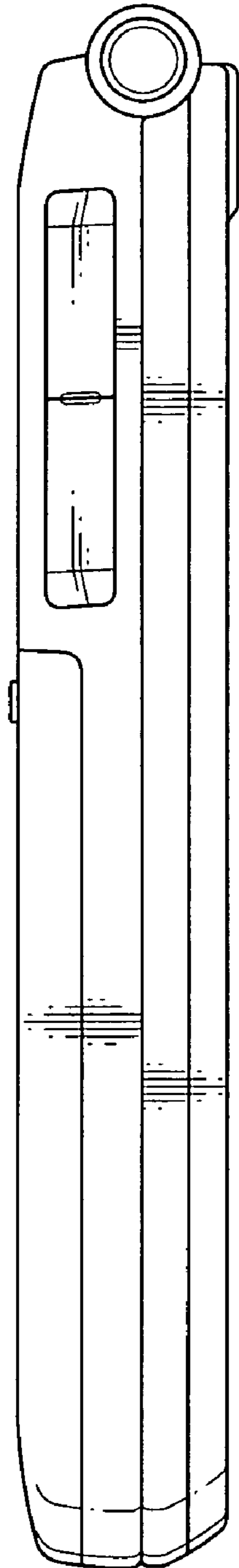


FIG. 5

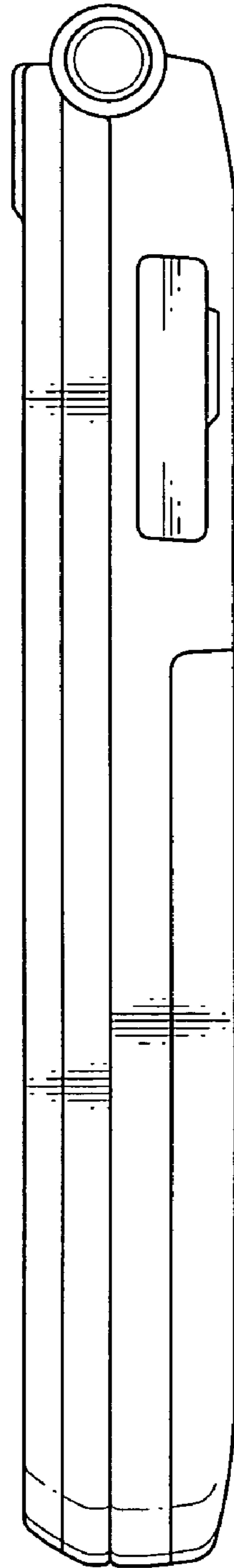


FIG. 6

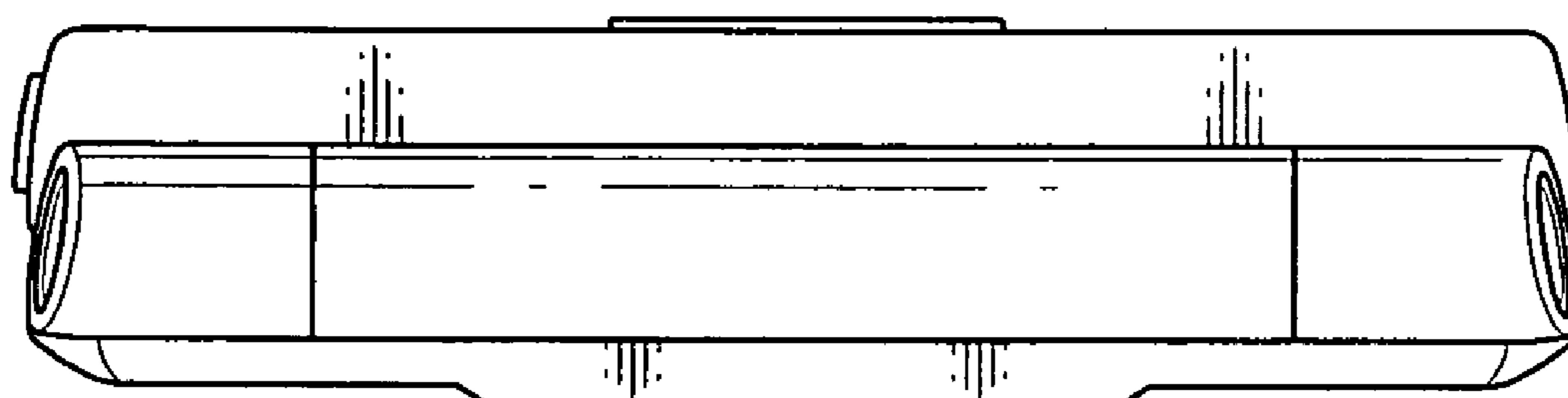


FIG. 7

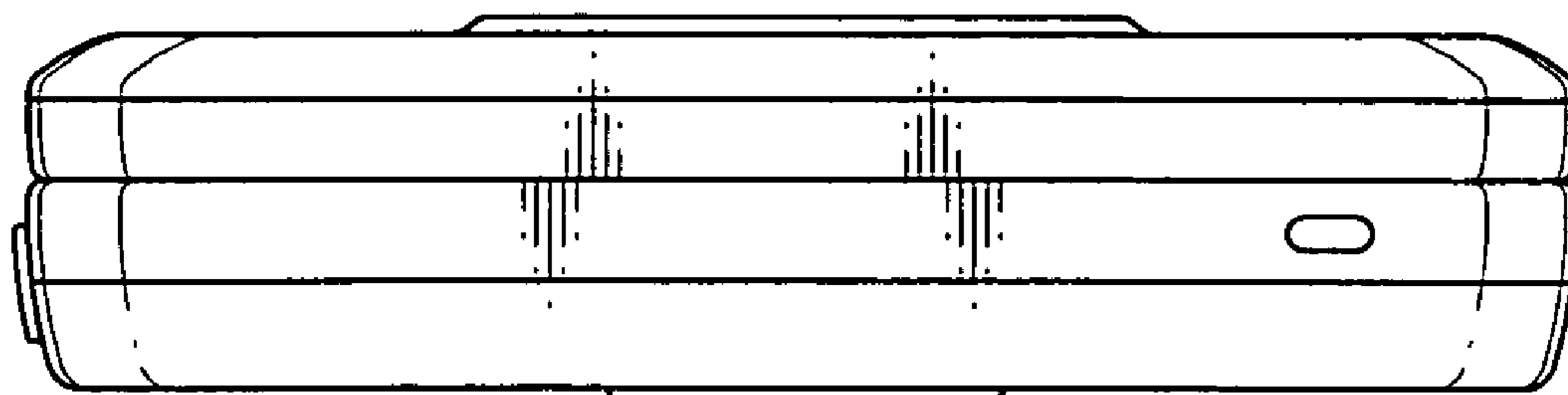


FIG. 8

