



US00D584259S

(12) **United States Design Patent**  
**Wlotzka**

(10) **Patent No.:** **US D584,259 S**  
(45) **Date of Patent:** **\*\* Jan. 6, 2009**

(54) **PORTABLE DVD PLAYER**

**DESCRIPTION**

(75) Inventor: **Paul Ernst Joachim Wlotzka**,  
Nürtingen (DE)  
(73) Assignee: **Harman Becker Automotive Systems**  
**GmbH**, Karlsbad (DE)  
(\*\*) Term: **14 Years**  
(21) Appl. No.: **29/284,770**  
(22) Filed: **Sep. 14, 2007**  
(30) **Foreign Application Priority Data**  
Mar. 15, 2007 (EM) ..... 000689013  
(51) **LOC (9) Cl.** ..... **14-03**  
(52) **U.S. Cl.** ..... **D14/129**  
(58) **Field of Classification Search** ..... D14/125-134,  
D14/239, 371, 136, 374-377, 440, 450, 448,  
D14/336, 342; 312/7.2; 348/836, 838, 180,  
348/184, 325, 739; 341/12; 248/917-924,  
248/465; 345/104, 133, 156, 168, 87, 173;  
720/605, 669, 600, 655; 369/99, 197; 455/344,  
455/347; D21/329, 515, 577, 622, 333, 433,  
D21/448, 452, 450, 331; D6/477, 479; 273/148 B;  
446/484, 175, 356; D10/15, 26  
See application file for complete search history.

(56) **References Cited**  
U.S. PATENT DOCUMENTS  
D518,007 S \* 3/2006 Peng ..... D14/129  
D521,956 S \* 5/2006 Backs ..... D14/126

(Continued)

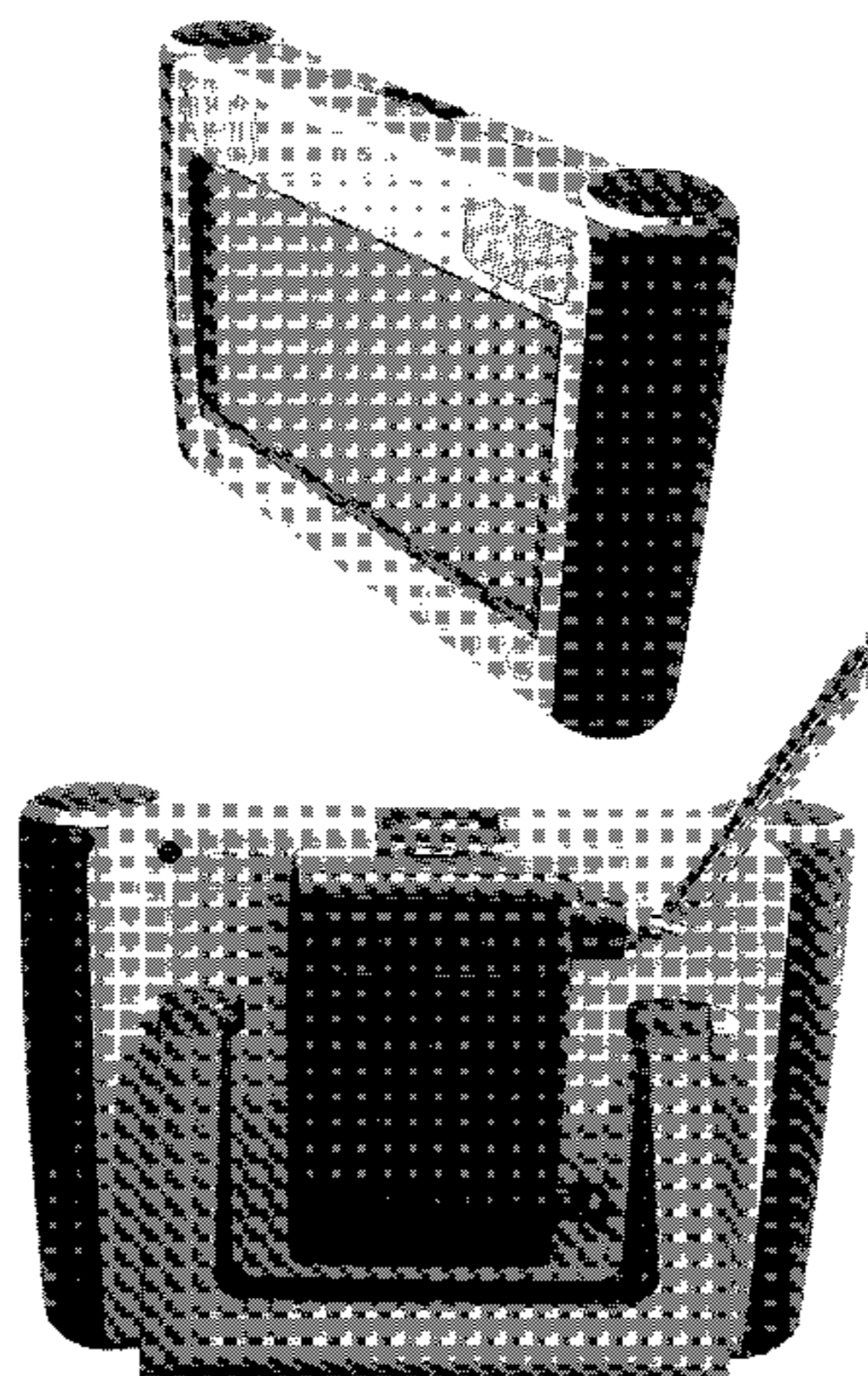
*Primary Examiner*—Raphael Barkai  
(74) *Attorney, Agent, or Firm*—Plumsea Law Group, LLC

(57) **CLAIM**

The ornamental design for a portable DVD player, as shown and described.

FIG. 1 is a perspective view of a portable DVD player showing my new design;  
FIG. 2 is a front elevational view thereof;  
FIG. 3 is a rear elevational view thereof;  
FIG. 4 is a side elevational view thereof;  
FIG. 5 is a side elevational view of the other side thereof;  
FIG. 6 is a top view thereof;  
FIG. 7 is a bottom view thereof;  
FIG. 8 is a rear perspective view thereof with the stand in an open configuration;  
FIG. 9 is a rear elevational view with the stand in an open configuration.  
FIG. 10 is a front elevational view with the stand in an open configuration.  
FIG. 11 is a side elevational view with the stand in an open configuration.  
FIG. 12 is a side elevational view of the other side, with the stand in an open configuration.  
FIG. 13 is a top view with the stand in an open configuration.  
FIG. 14 is a bottom view with the stand in an open configuration.  
FIG. 15 is a rear perspective view of another embodiment of my new design;  
FIG. 16 is a front elevational view thereof;  
FIG. 17 is a rear elevational view thereof;  
FIG. 18 is a side elevational view thereof;  
FIG. 19 is a side elevational view of the other side thereof;  
FIG. 20 is a top view thereof; and,  
FIG. 21 is a bottom view thereof.  
While the photographic drawings are in black and white, the particular color contrasts depicted do not form a part of the claimed design.

**1 Claim, 21 Drawing Sheets**



# US D584,259 S

Page 2

---

## U.S. PATENT DOCUMENTS

D533,156 S	*	12/2006	Nakata .....	D14/126	D547,284 S	*	7/2007	Hsiung .....	D14/129
D534,153 S	*	12/2006	Naruki .....	D14/167	D548,207 S	*	8/2007	Hsiung .....	D14/129
D537,422 S	*	2/2007	Conway .....	D14/126	D550,174 S	*	9/2007	Deguchi .....	D14/126
D540,276 S	*	4/2007	Naruo .....	D14/126	D561,129 S	*	2/2008	Hsiung .....	D14/126
D543,167 S	*	5/2007	Hung .....	D14/129	D561,137 S	*	2/2008	Hsiung .....	D14/129

\* cited by examiner

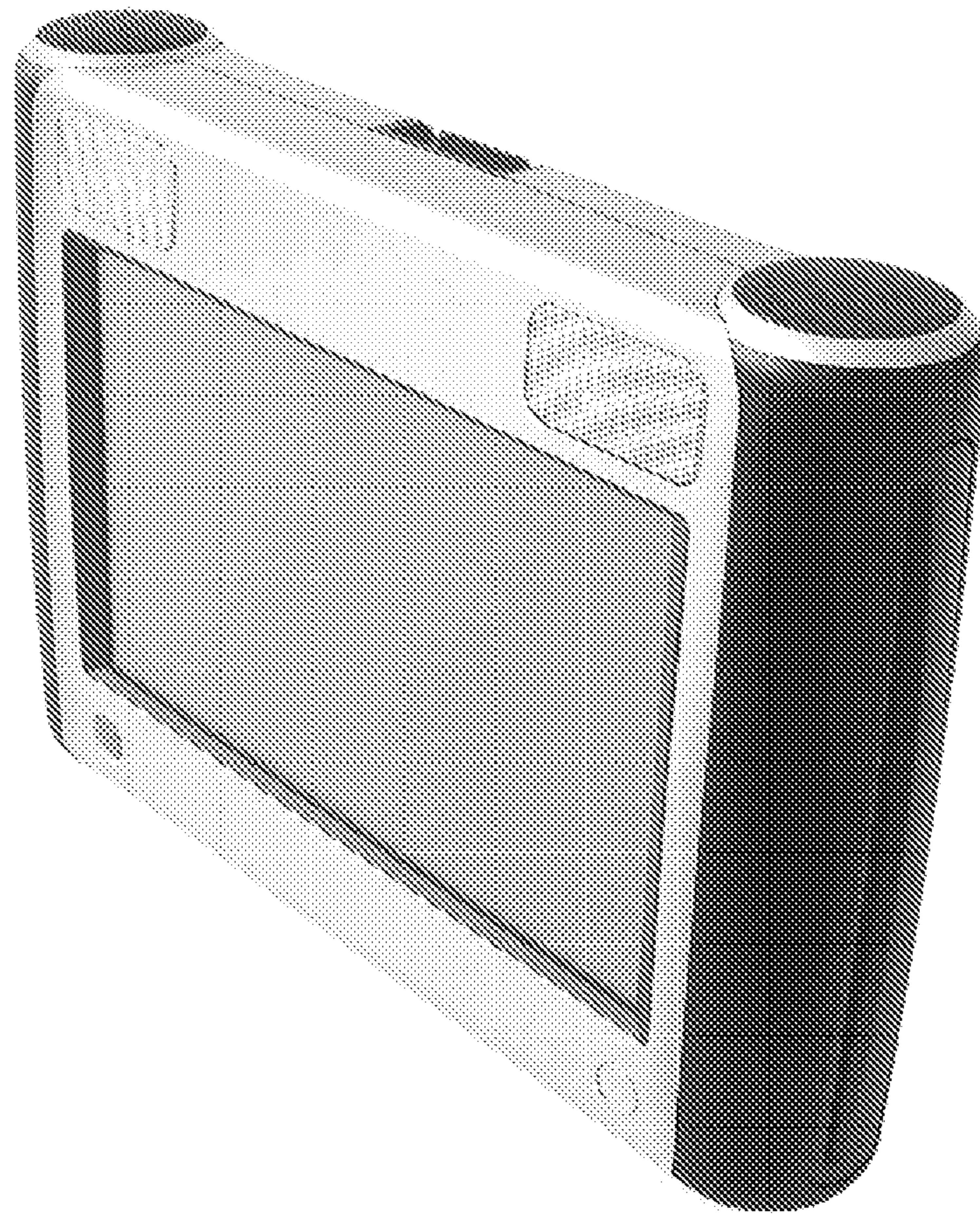


FIG. 1

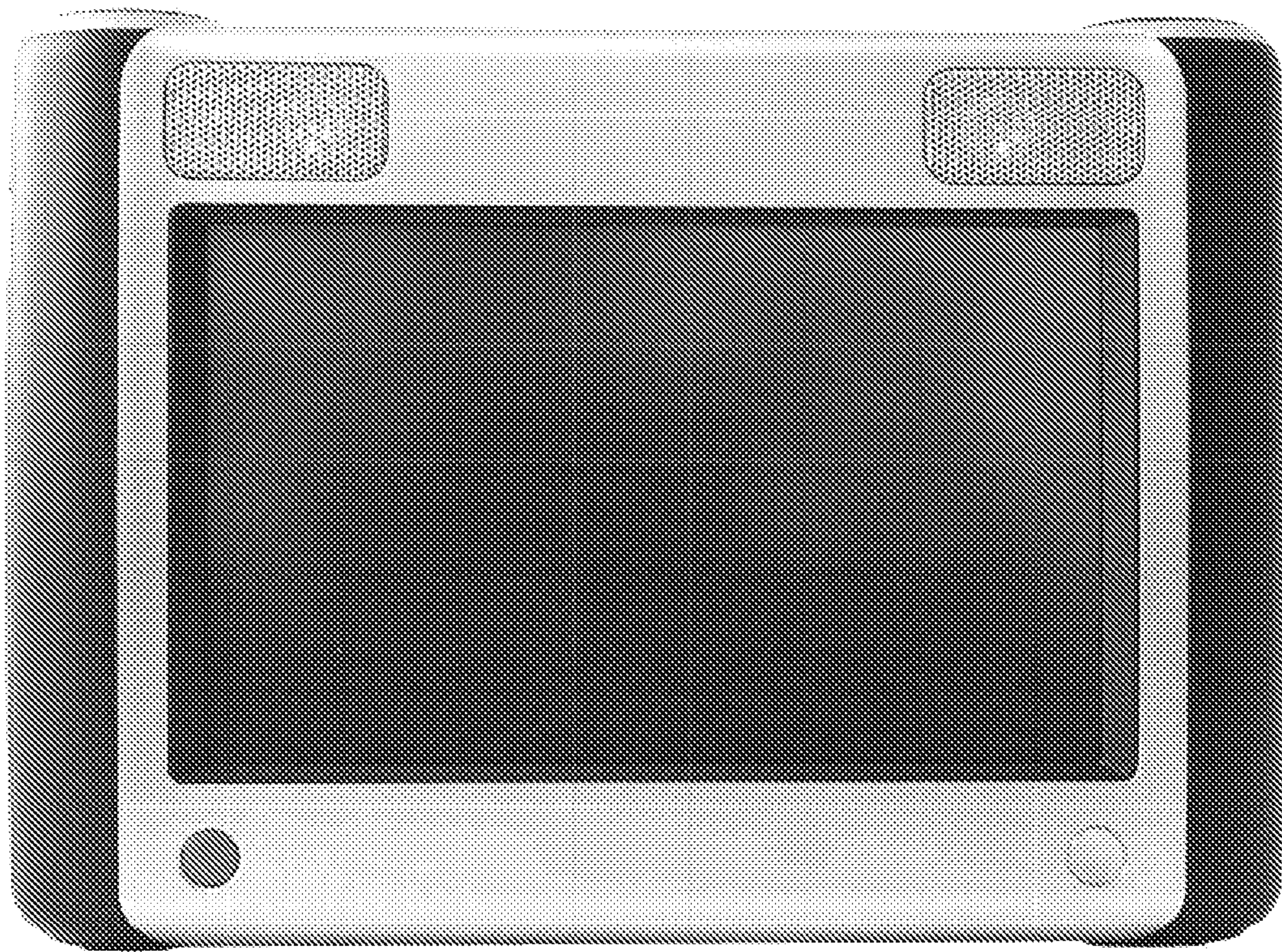


FIG. 2



FIG. 3

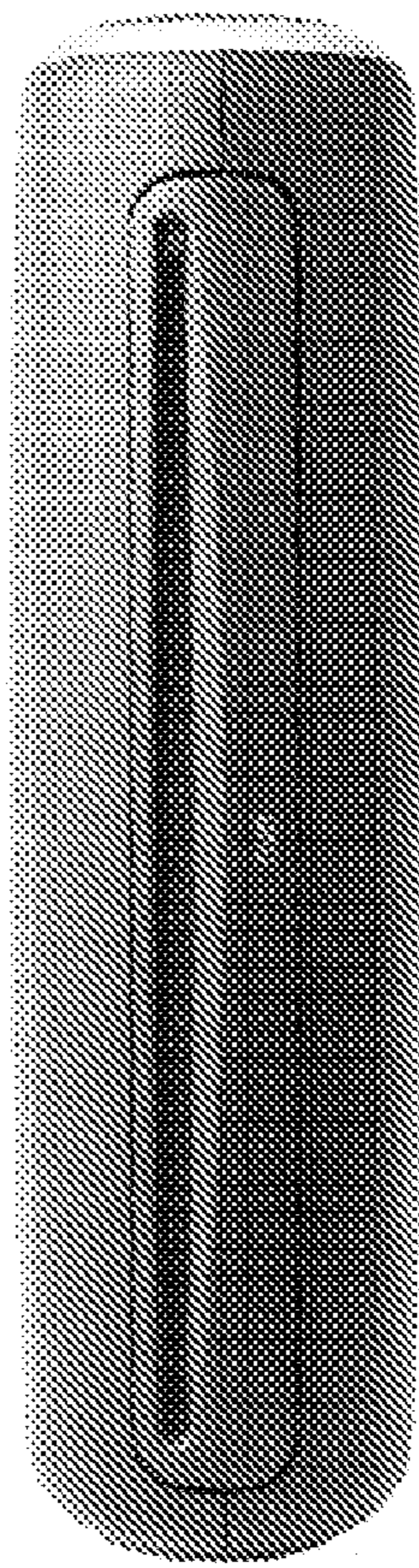


FIG. 4

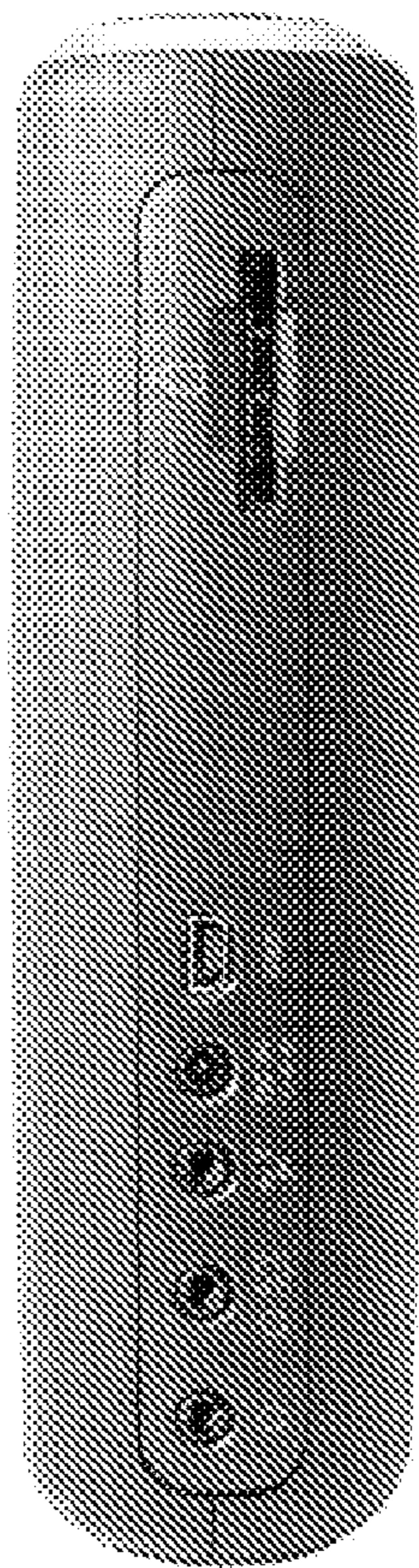


FIG. 5

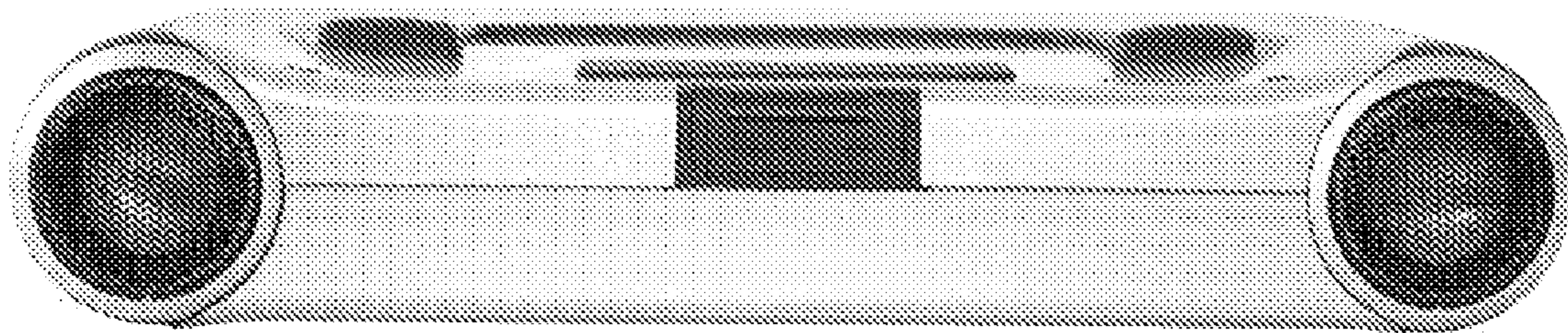


FIG. 6



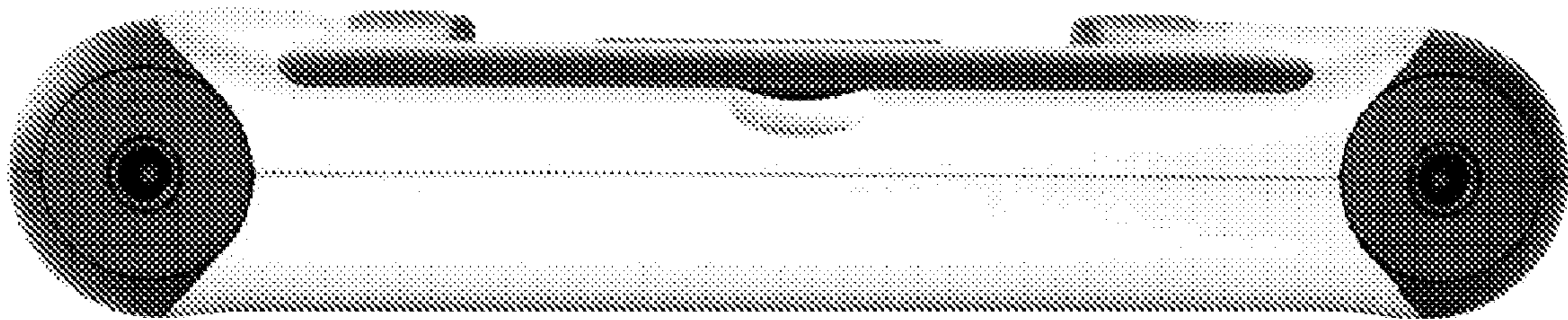


FIG. 7

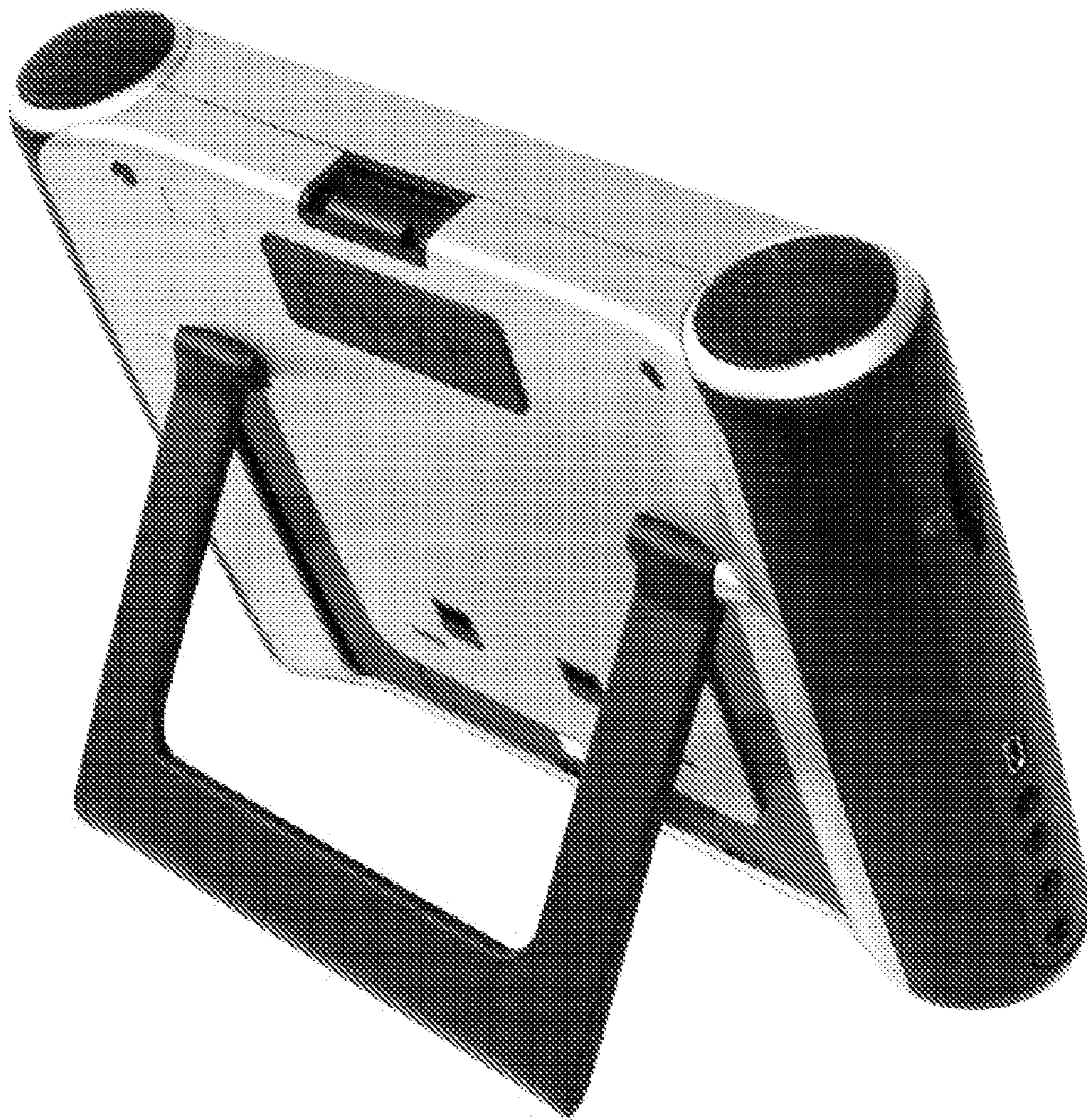


FIG. 8

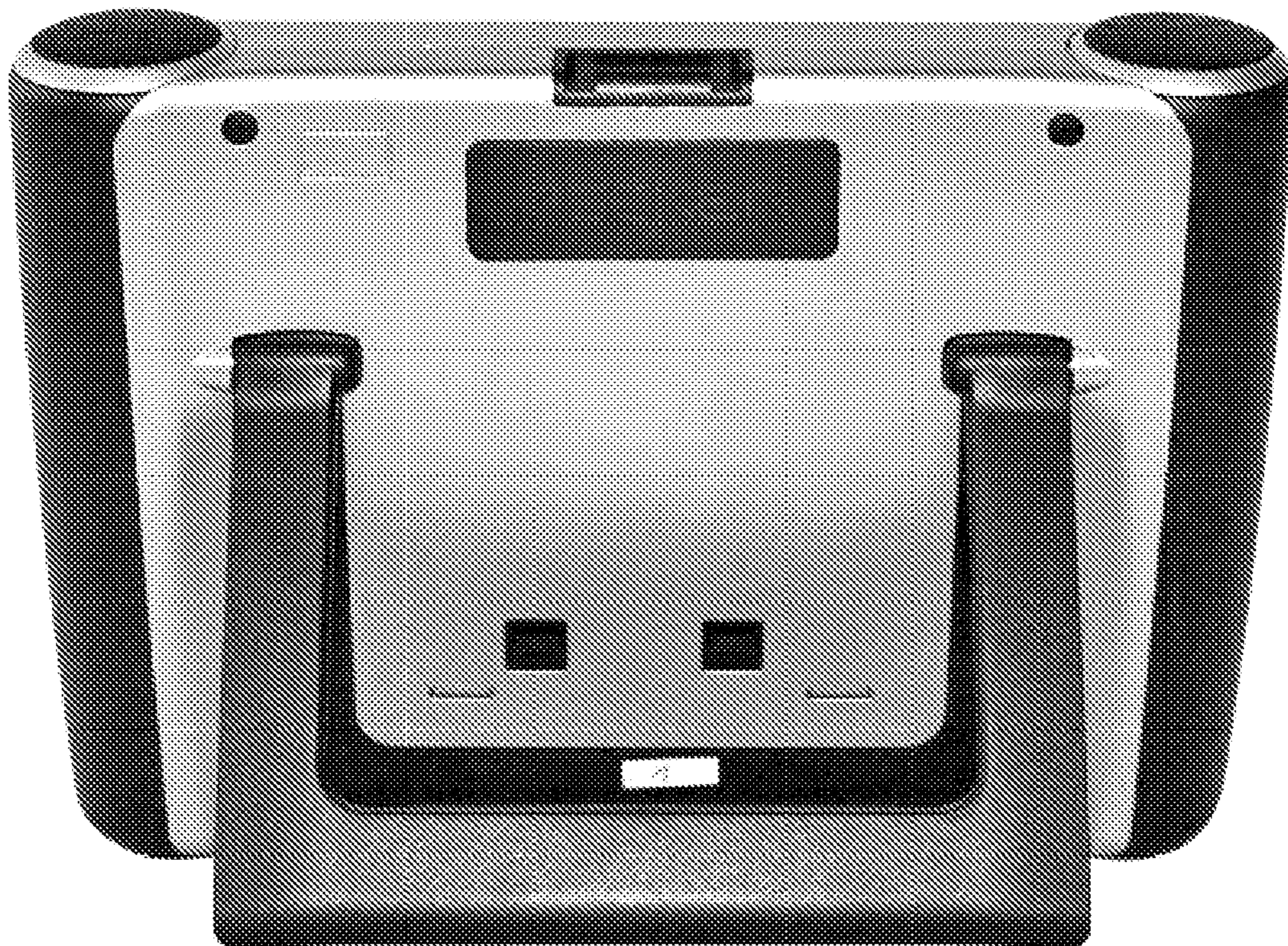


FIG. 9



FIG. 10

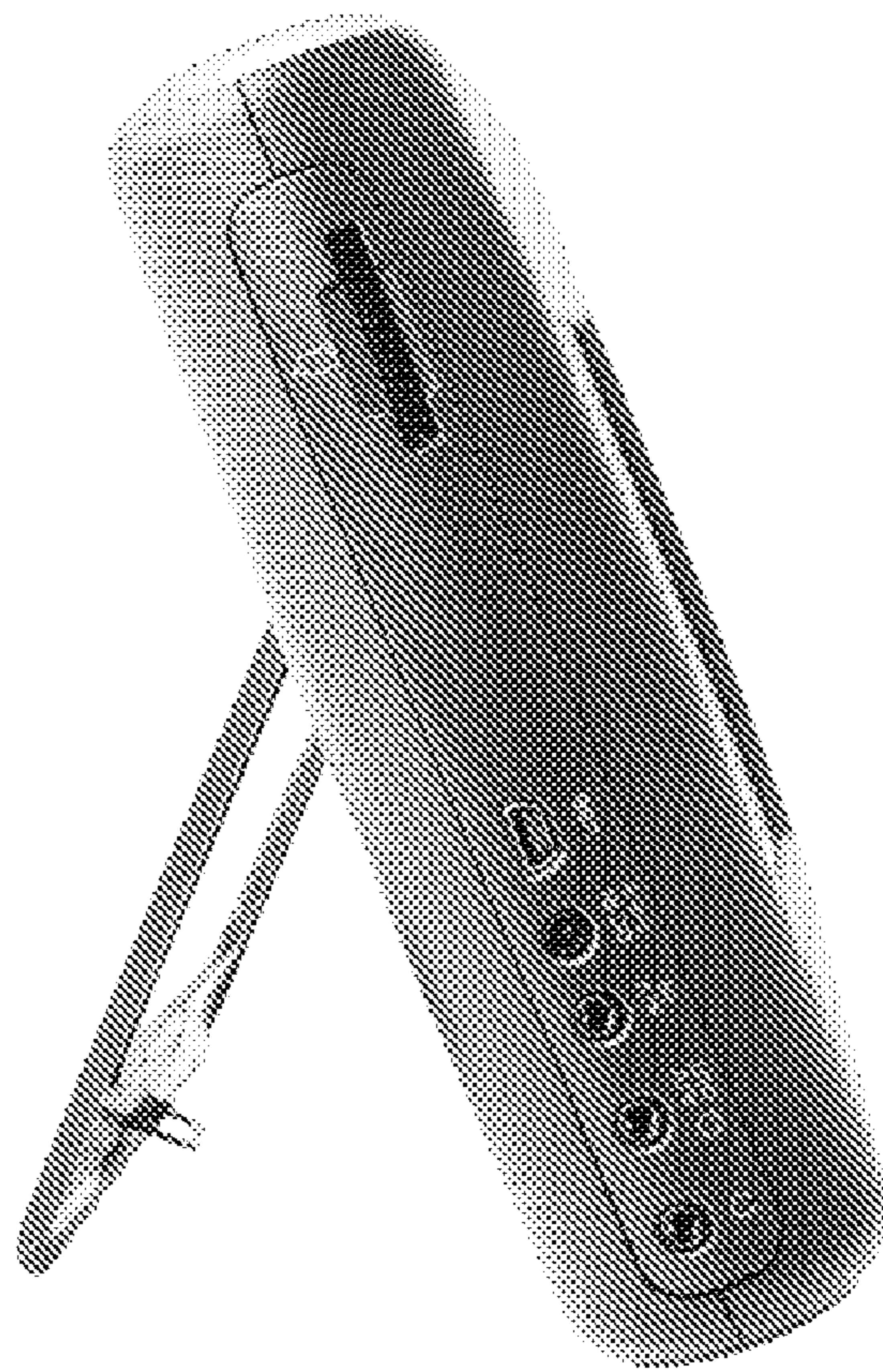


FIG. 11

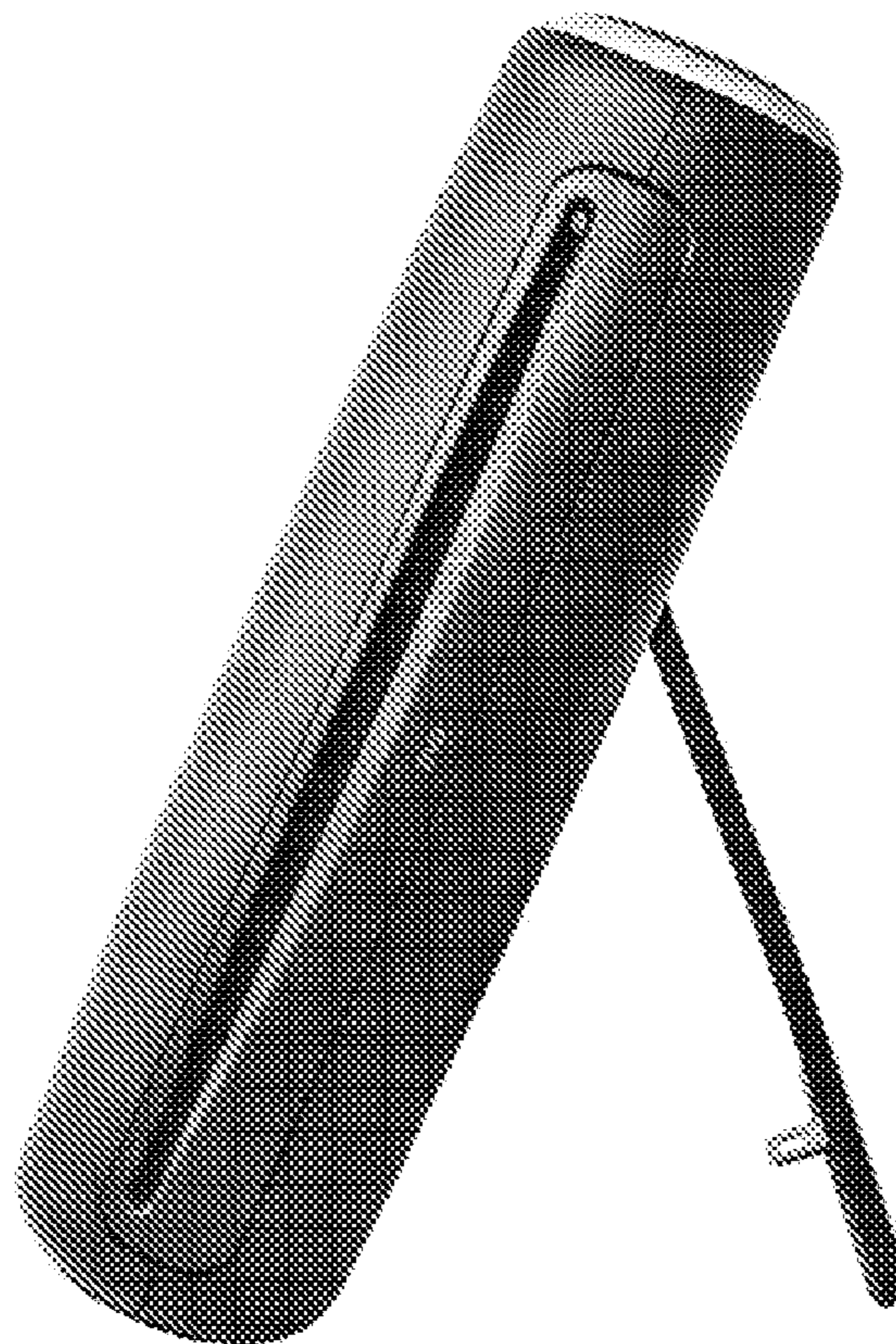


FIG. 12

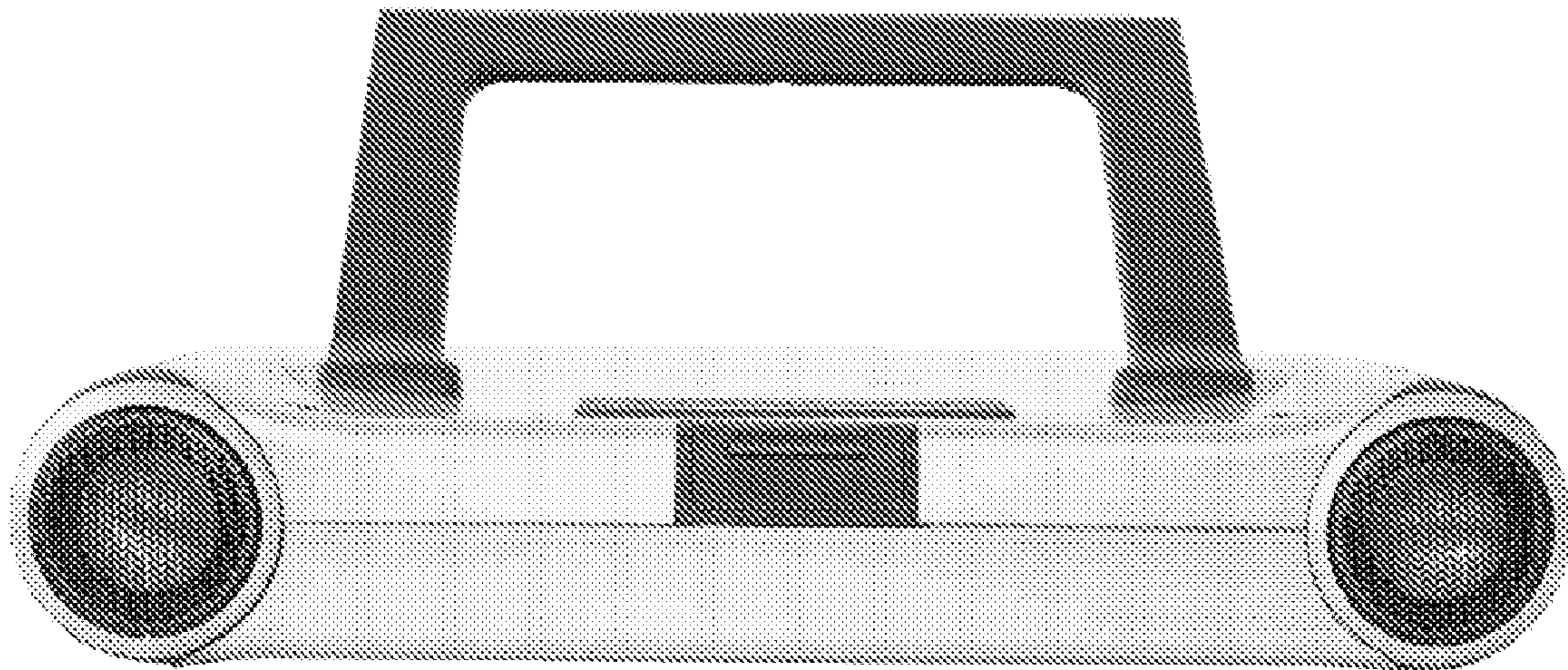


FIG. 13

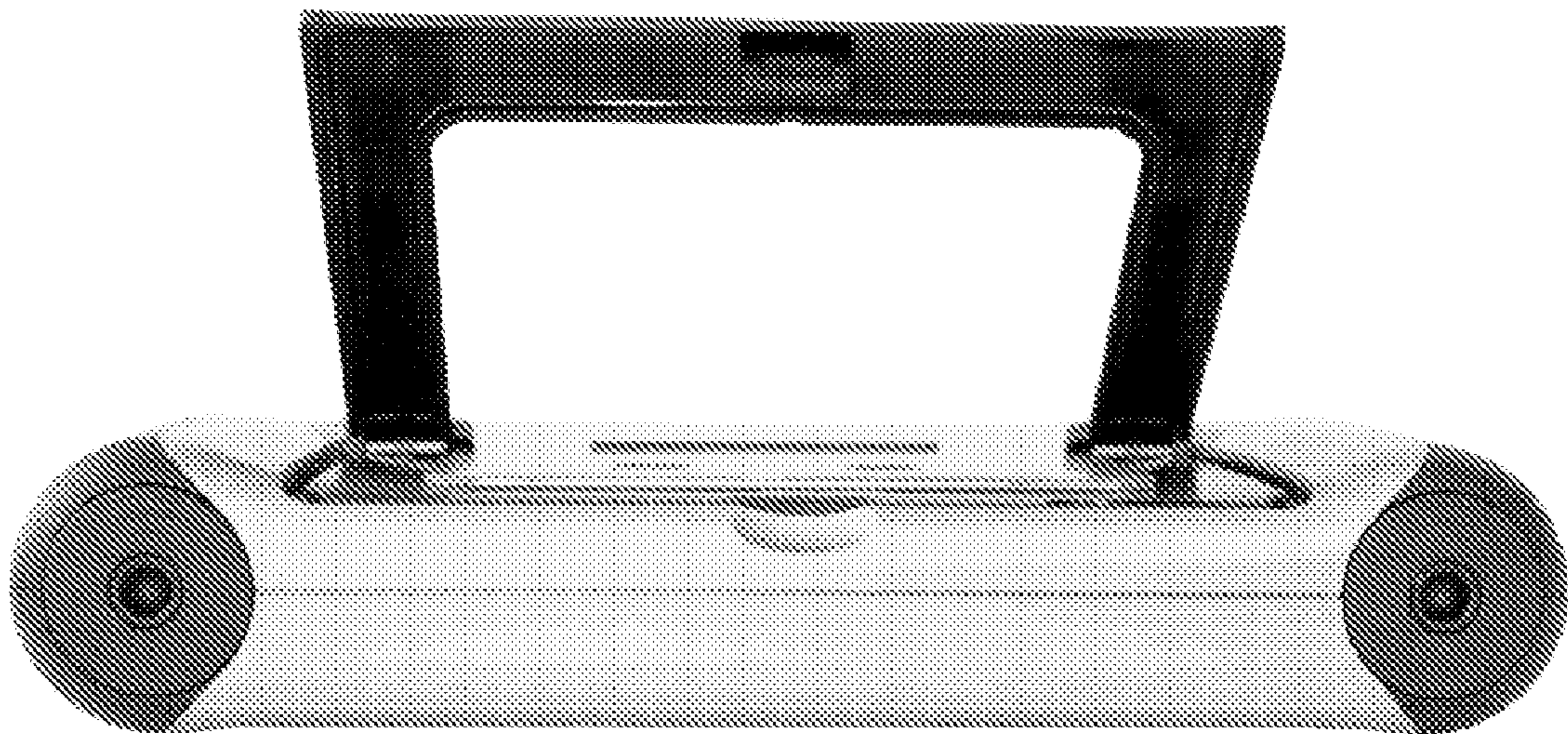


FIG. 14





FIG. 15

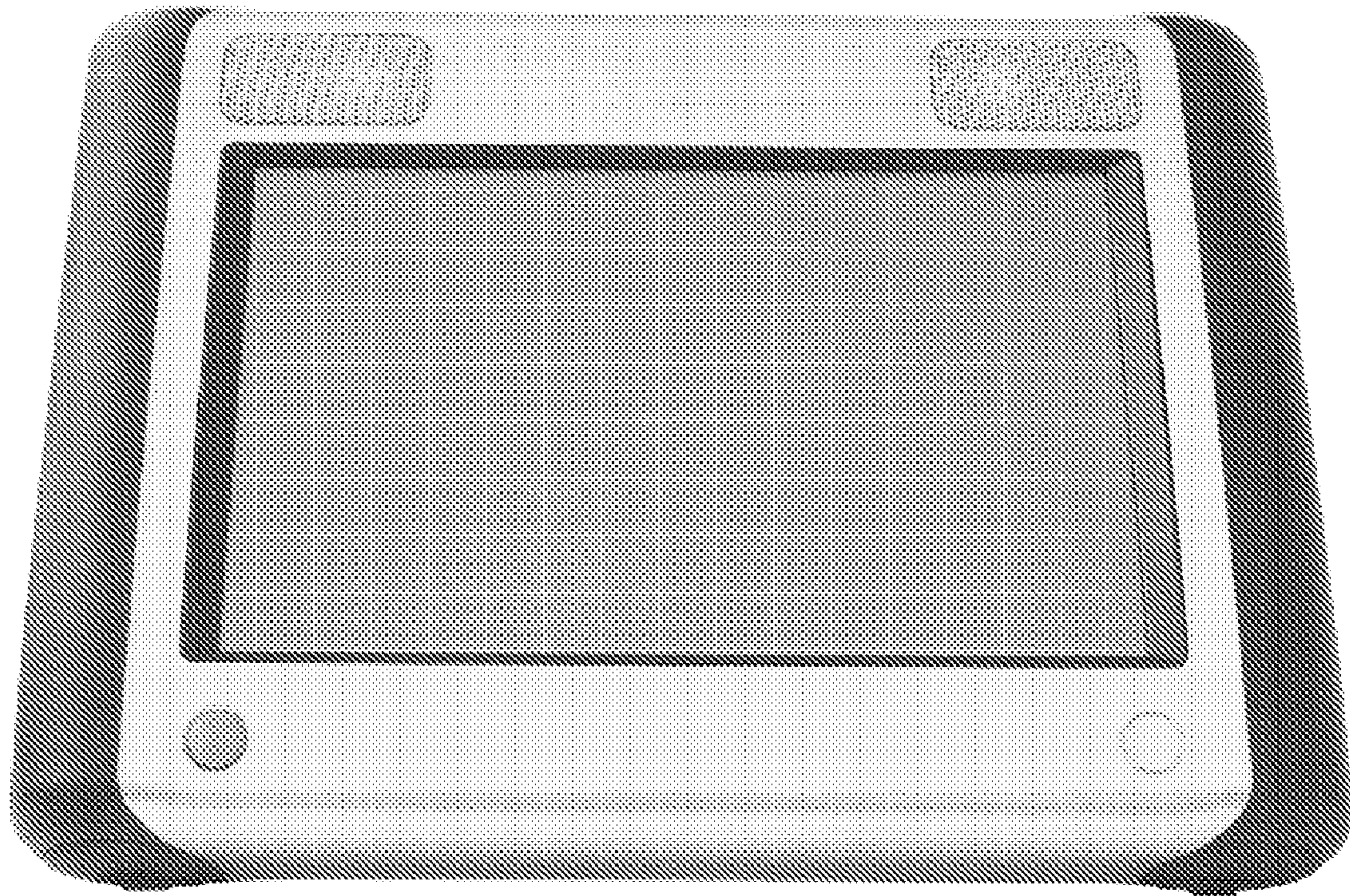


FIG. 16

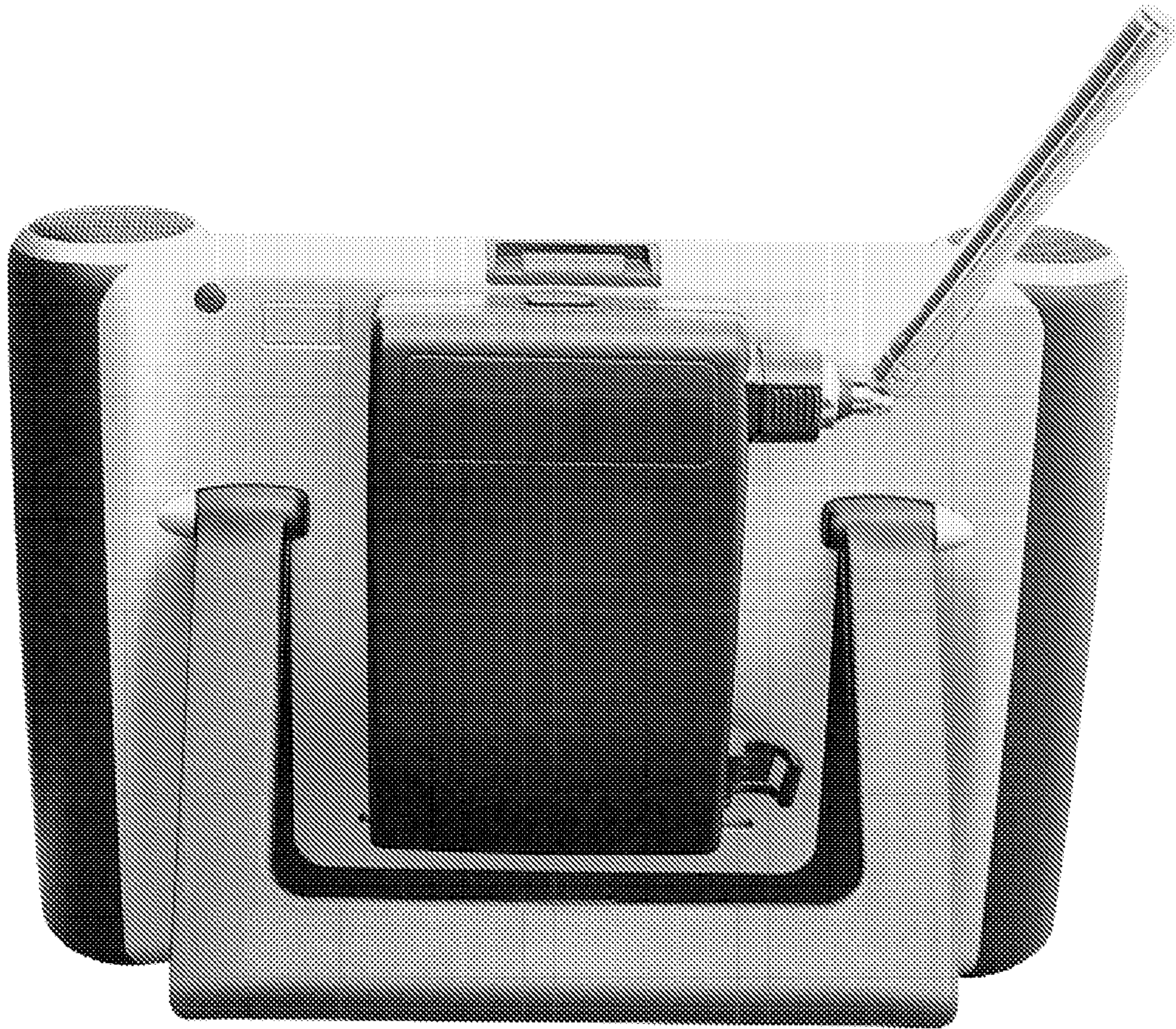


FIG. 17



FIG. 18

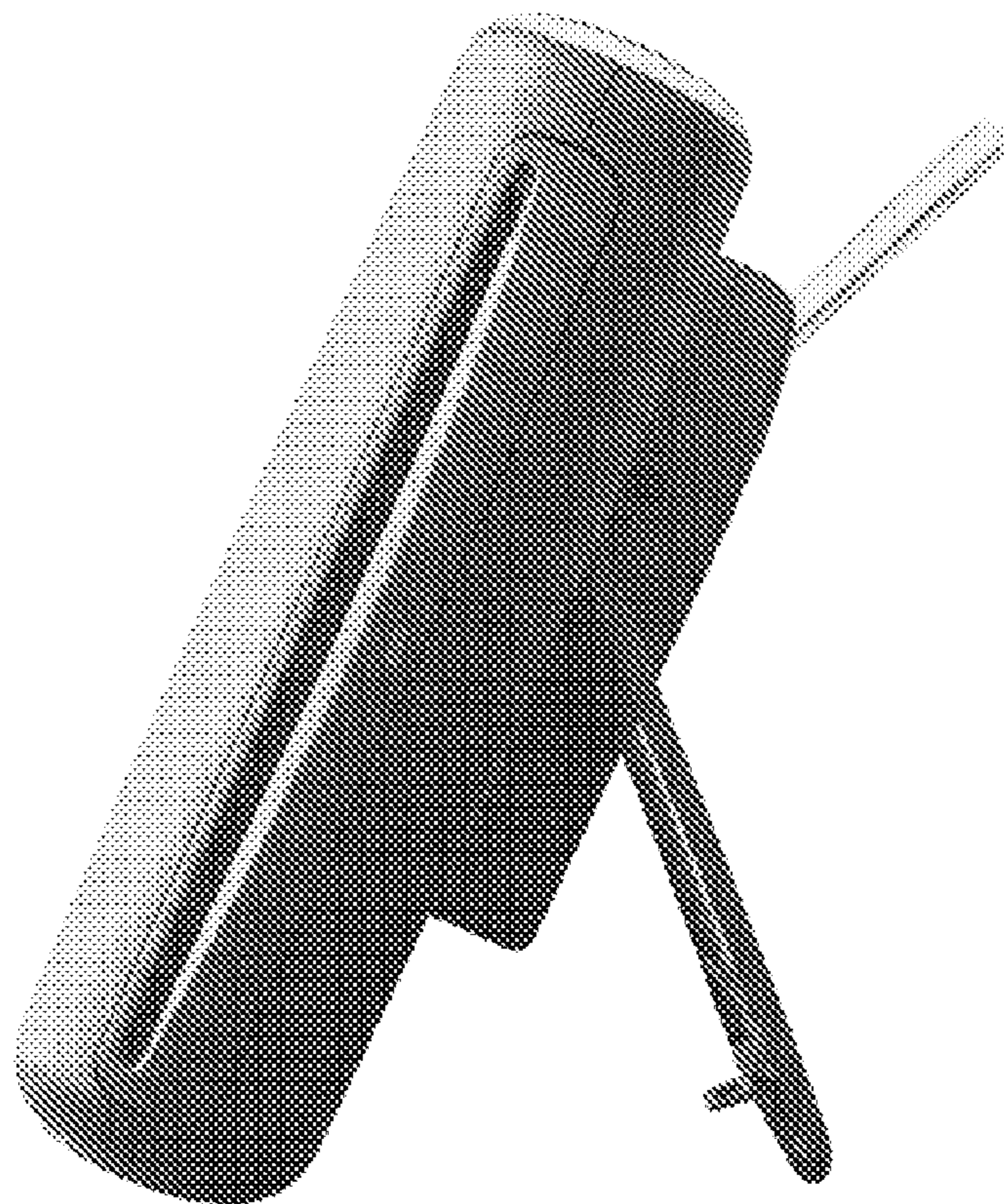


FIG. 19

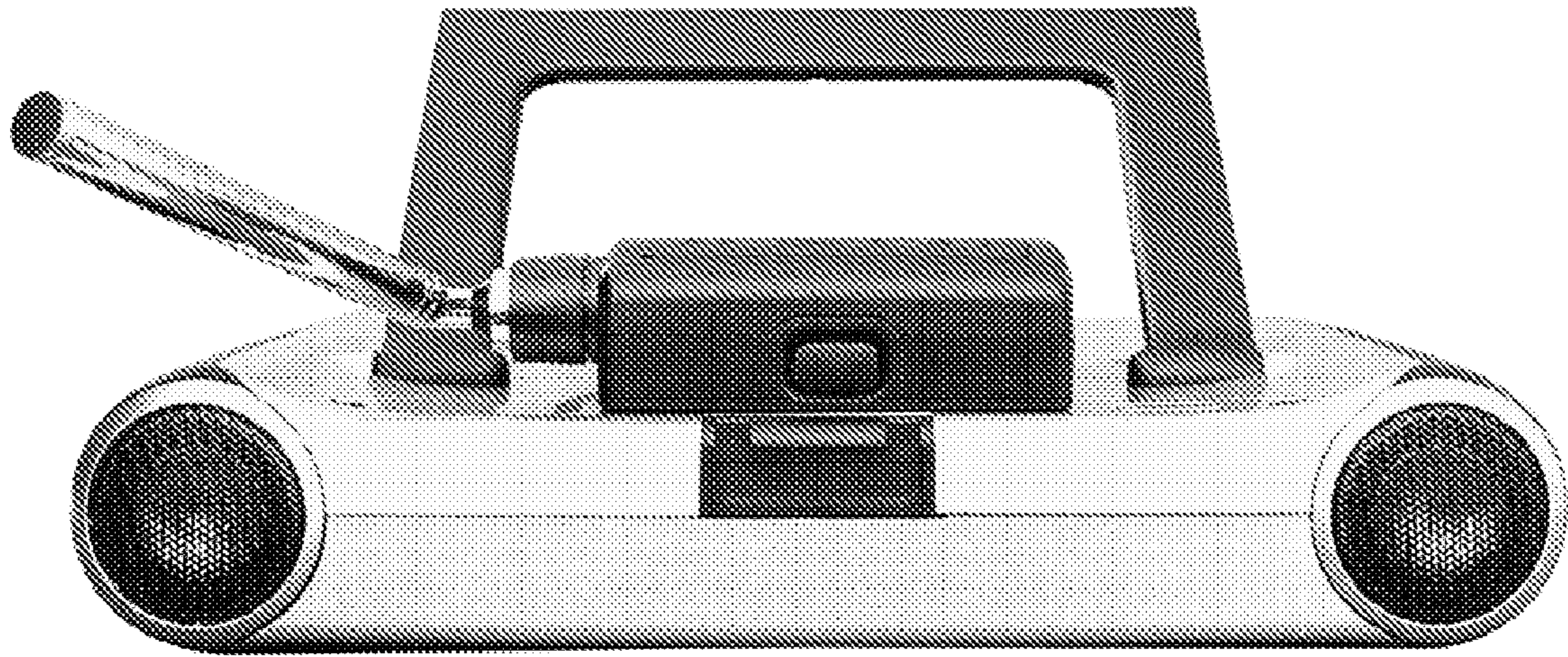


FIG. 20

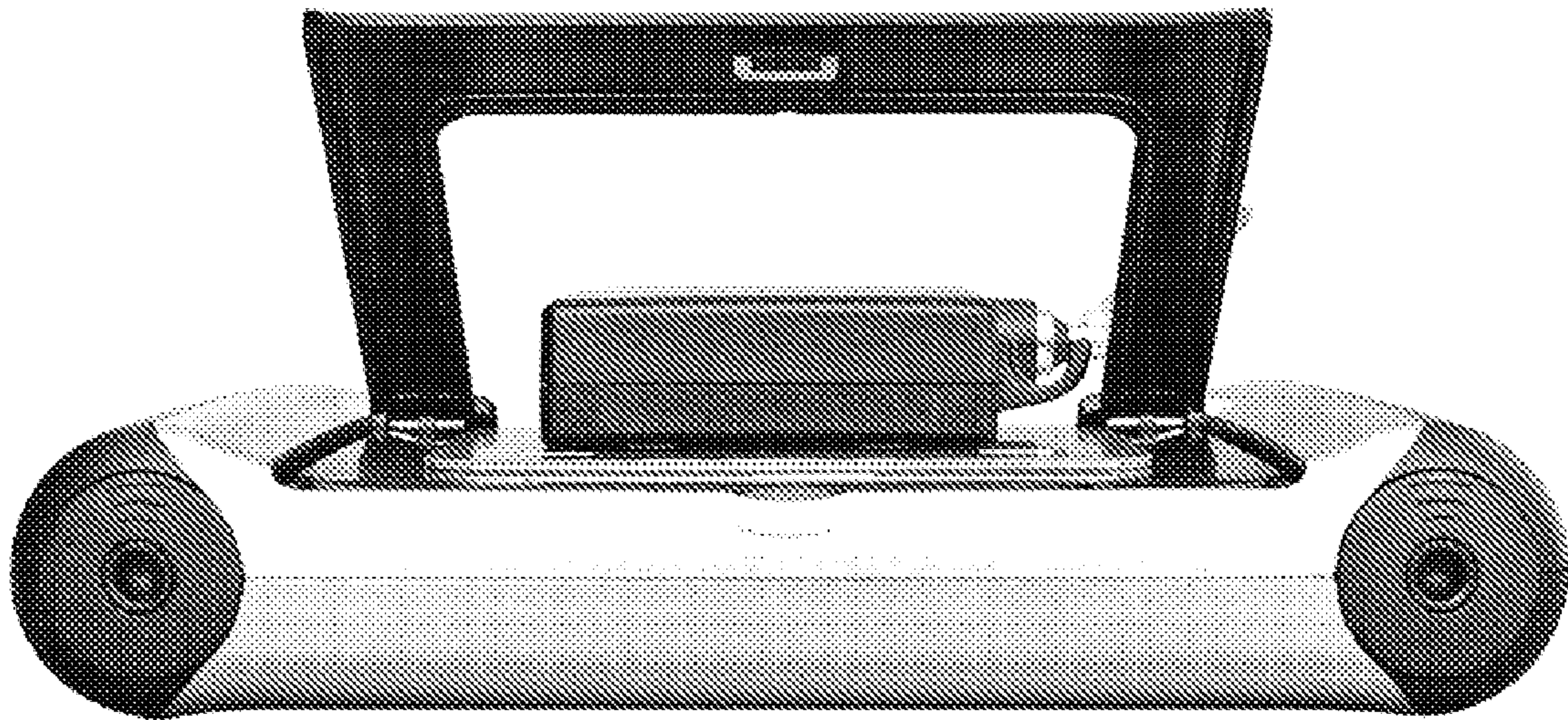


FIG. 21