



US00D584257S

(12) **United States Design Patent**  
**Kita**

(10) **Patent No.:** **US D584,257 S**  
(45) **Date of Patent:** **\*\* Jan. 6, 2009**

(54) **TELEVISION SET**  
(75) Inventor: **Toshiyuki Kita**, Osaka (JP)  
(73) Assignee: **Sharp Kabushiki Kaisha**, Osaka (JP)  
(\*\*) Term: **14 Years**  
(21) Appl. No.: **29/290,465**  
(22) Filed: **Dec. 7, 2007**  
(30) **Foreign Application Priority Data**  
Jun. 14, 2007 (JP) ..... 2007-015803

D438,848 S 3/2001 Kita  
D439,224 S 3/2001 Kita  
D439,225 S 3/2001 Kita  
D453,747 S 2/2002 Kita  
D453,748 S 2/2002 Kita  
D456,370 S 4/2002 Kita  
D458,910 S 6/2002 Kita  
D492,269 S 6/2004 Kita  
D496,915 S 10/2004 Kita  
D497,351 S 10/2004 Kita  
D497,599 S 10/2004 Kita  
D499,076 S 11/2004 Kita  
D501,186 S 1/2005 Kita  
D501,654 S 2/2005 Kita

(51) **LOC (9) Cl.** ..... **14-03**  
(52) **U.S. Cl.** ..... **D14/126**  
(58) **Field of Classification Search** ..... D14/125-134,  
D14/239, 371, 136, 374-377, 440, 450, 448,  
D14/336, 342; 312/7.2; 348/836, 838, 180,  
348/184, 325, 739; 341/12; 248/917-924,  
248/465; 345/104, 133, 156, 168, 87, 173;  
720/605, 669, 600, 655; 369/99, 197; 455/344,  
455/347; D21/329, 515, 577, 622, 333, 433,  
D21/448, 452, 450, 331; D6/477, 479; 273/148 B;  
446/484, 175, 356; D10/15, 26  
See application file for complete search history.

(Continued)

**OTHER PUBLICATIONS**

Kita, entitled, "Television Set," U.S. application No. 29/232,620, filed Jun. 22, 2005, allowed.

(Continued)

*Primary Examiner*—Raphael Barkai  
(74) *Attorney, Agent, or Firm*—Nixon & Vanderhye, P.C.

(56) **References Cited**  
**U.S. PATENT DOCUMENTS**

D337,113 S 7/1993 Saito  
D342,497 S 12/1993 Saito et al.  
D342,501 S 12/1993 Saeki et al.  
D351,155 S 10/1994 Usami et al.  
D351,156 S 10/1994 Usami et al.  
D357,244 S 4/1995 Usami et al.  
D357,245 S 4/1995 Usami et al.  
D357,472 S 4/1995 Usami et al.  
D369,596 S 5/1996 Akiyama et al.  
D372,026 S 7/1996 Akiyama et al.  
D373,583 S 9/1996 Akiyama et al.  
D427,169 S 6/2000 Saeki et al.  
D429,227 S 8/2000 Shimizu  
D431,537 S 10/2000 Saeki et al.

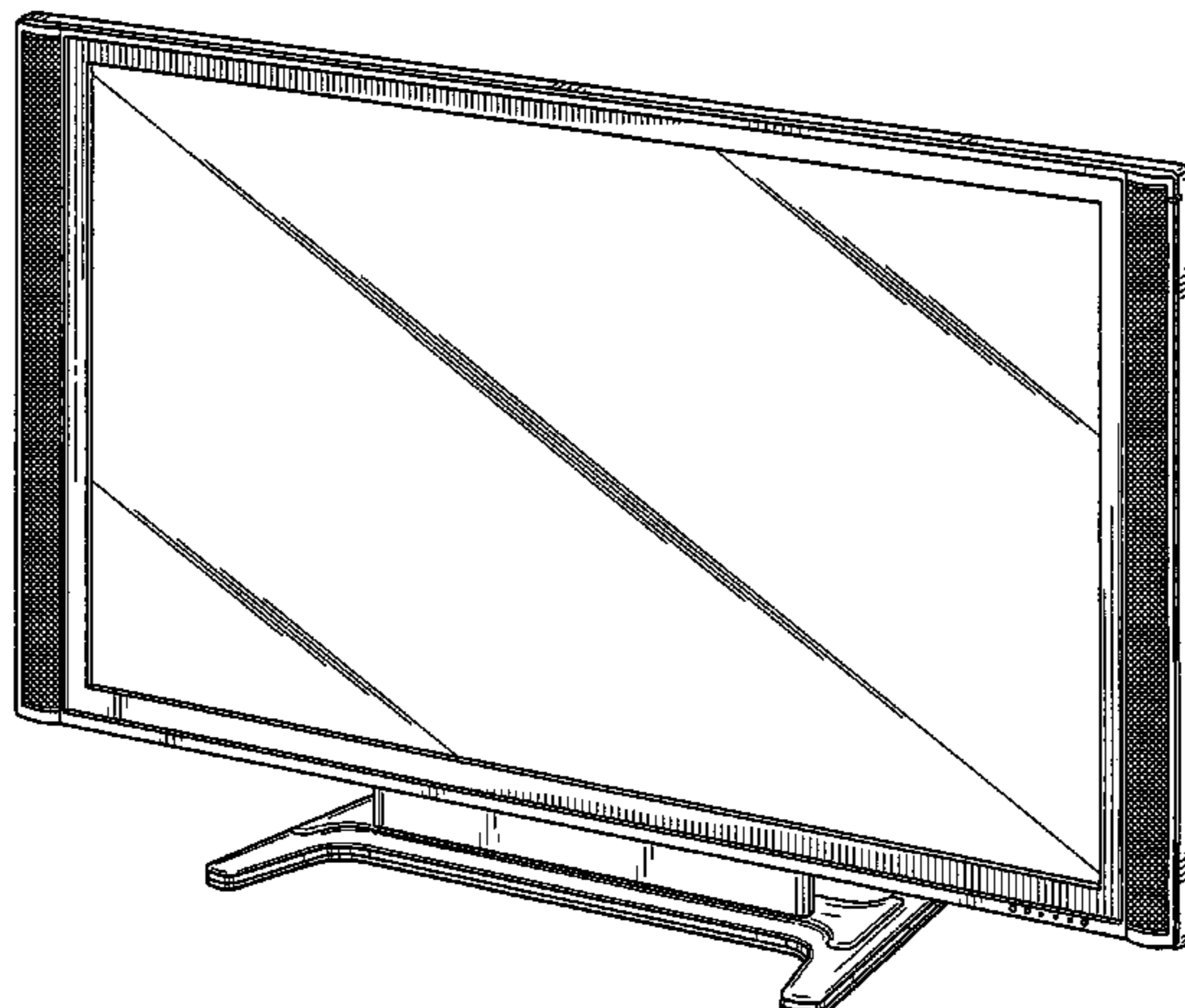
(57) **CLAIM**

The ornamental design for a "television set," as shown and described.

**DESCRIPTION**

FIG. 1 is a perspective view of a television set in accordance with my new design;  
FIG. 2 is a front elevation view thereof;  
FIG. 3 is a rear elevation view thereof;  
FIG. 4 is a top plan view thereof;  
FIG. 5 is a bottom plan view thereof;  
FIG. 6 is a right side elevational view thereof; and,  
FIG. 7 is a left side elevational view thereof.

**1 Claim, 5 Drawing Sheets**



U.S. PATENT DOCUMENTS

D502,451 S 3/2005 Kita  
 D502,931 S 3/2005 Kita  
 D505,123 S 5/2005 Kita  
 D510,731 S 10/2005 Kita  
 D512,385 S 12/2005 Kita  
 D512,386 S 12/2005 Kita  
 D512,387 S 12/2005 Kita  
 D536,678 S 2/2007 Kita  
 D538,242 S 3/2007 Kita  
 D538,762 S 3/2007 Fuji et al.  
 D538,763 S 3/2007 Fuji et al.  
 D539,766 S 4/2007 Kita  
 D540,281 S 4/2007 Kita  
 D540,282 S 4/2007 Kita  
 D540,284 S 4/2007 Kita  
 D540,285 S 4/2007 Kita  
 D541,240 S 4/2007 Kita  
 D541,772 S 5/2007 Kita  
 D541,774 S 5/2007 Kita  
 D541,775 S 5/2007 Kita  
 D543,519 S 5/2007 Kita  
 D544,850 S 6/2007 Kita  
 D545,282 S 6/2007 Kita  
 D545,779 S 7/2007 Kita  
 D545,780 S 7/2007 Kita  
 D546,301 S 7/2007 Kita  
 D546,302 S 7/2007 Kita  
 D546,303 S 7/2007 Fuji  
 D552,050 S 10/2007 Fuji et al.  
 D554,085 S 10/2007 Kita

OTHER PUBLICATIONS

Totsuka, entitled, "Television Set," U.S. Appl. No. 29/245,754, filed Dec. 29, 2005, abandoned.  
 Kita, entitled, "Television Set," U.S. Appl. No. 29/243,704, filed Nov. 30, 2005, allowed.  
 Kita, entitled, "Television Set," U.S. Appl. No. 29/243,707, filed Nov. 30, 2005, pending.

Kita, entitled, "Externally Exposed Surfaces of a Speaker for a Television Set," U.S. Appl. No. 29/243,705, filed Nov. 30, 2005, allowed.  
 Kita, entitled, "Television Set," U.S. Appl. No. 29/261,807, filed Jun. 21, 2006, allowed.  
 Kita, entitled, "Television Set," U.S. Appl. No. 29/260,910, filed Jun. 21, 2006, allowed.  
 Kita, entitled, "Television Set," U.S. Appl. No. 29/261,803, filed Jun. 21, 2006, allowed.  
 Inuma et al., entitled, "Television Set," U.S. Appl. No. 29/261,809, filed Jun. 21, 2006, allowed.  
 Inuma et al., entitled, "Television set," U.S. Appl. No. 29/261,806, filed Jun. 21, 2006, pending.  
 Fujii et al., entitled, "Television Set," U.S. Appl. No. 29/261,807, filed Jun. 21, 2006, allowed.  
 Fujii et al., entitled, "Television Set," U.S. Appl. No. 29/260,910, filed Jun. 21, 2006, allowed.  
 Fujii et al., entitled, "Television Set," U.S. Appl. No. 29/266,495, filed Sep. 22, 2006, allowed.  
 Kita, entitled, "Television Set," U.S. Appl. No. 29/271,041, filed Jan. 9, 2007, pending.  
 Kita., entitled, "Television Set," U.S. Appl. No. 29/271,043, filed Jan. 9, 2007, pending.  
 Kita., entitled, "Television Set," U.S. Appl. No. 29/271,155, filed Jan. 11, 2007, pending.  
 Kita., entitled, "Television Set," U.S. Appl. No. 29/271,156, filed Jan. 11, 2007, pending.  
 Kita., entitled, "Television Set," U.S. Appl. No. 29/271,042, filed Jan. 9, 2007, pending.  
 Fujii et al., entitled, "Television Set," U.S. Appl. No. 29/272,942, filed Feb. 22, 2007, pending.  
 Fujii et al., entitled, "Television Set," U.S. Appl. No. 29/272,938, filed Feb. 22, 2007, pending.  
 Fujii et al., entitled, "Television Set," U.S. Appl. No. 29/272,941, filed Feb. 22, 2007, pending.  
 Kita, entitled, "Television Set," U.S. Appl. No. 29/272,939, filed Feb. 22, 2007, pending.  
 Shimamoto, entitled, "Television Set," U.S. Appl. No. 29/272,940, filed Feb. 22, 2007, allowed.  
 Shimamoto, entitled, "Television Set," U.S. Appl. No. 29/287,705, filed Sep. 10, 2007, pending.  
 Kita, entitled, "Television Set," U.S. Appl. No. 29/290,464, filed Dec. 7, 2007, pending.

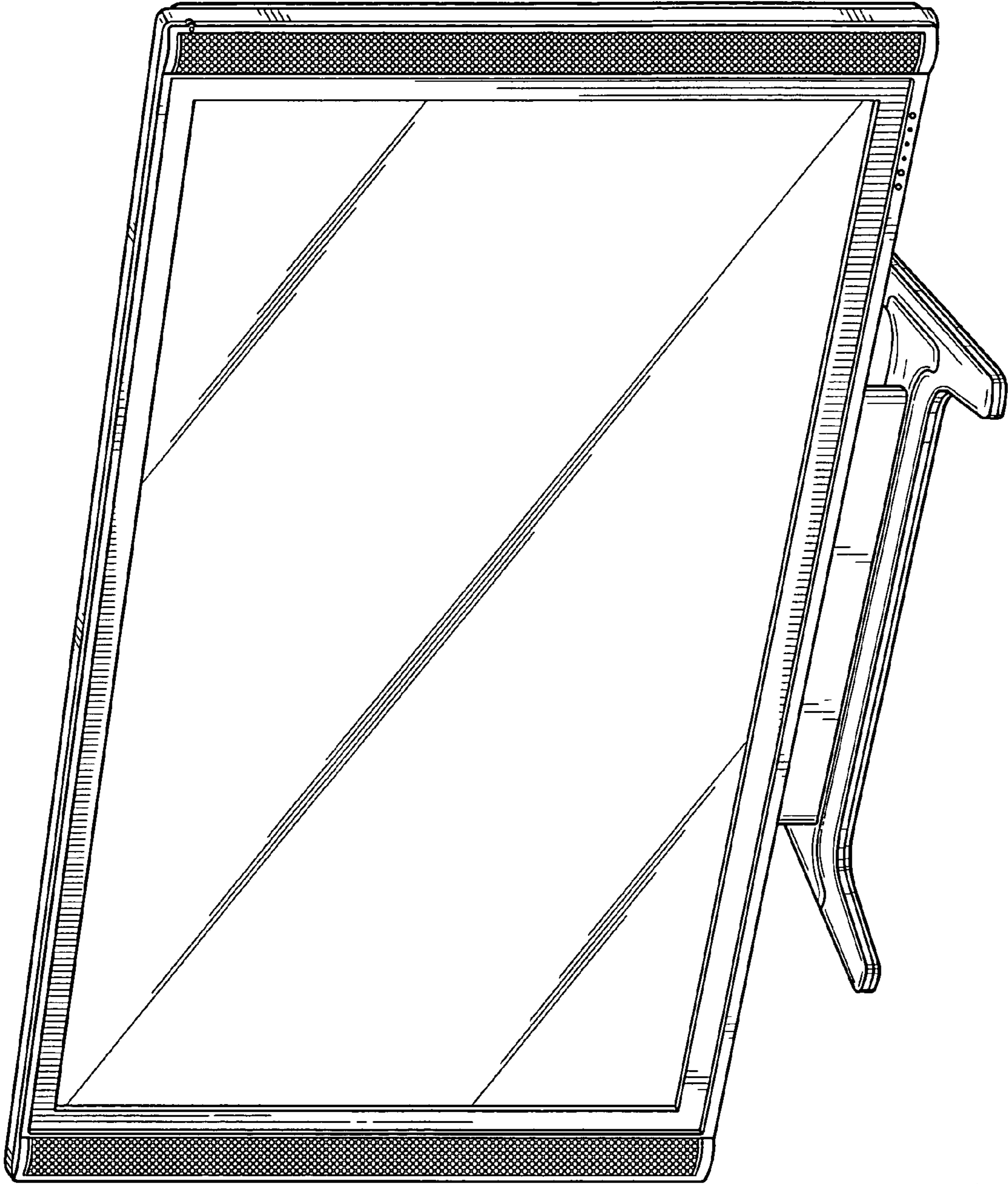


Fig. 1



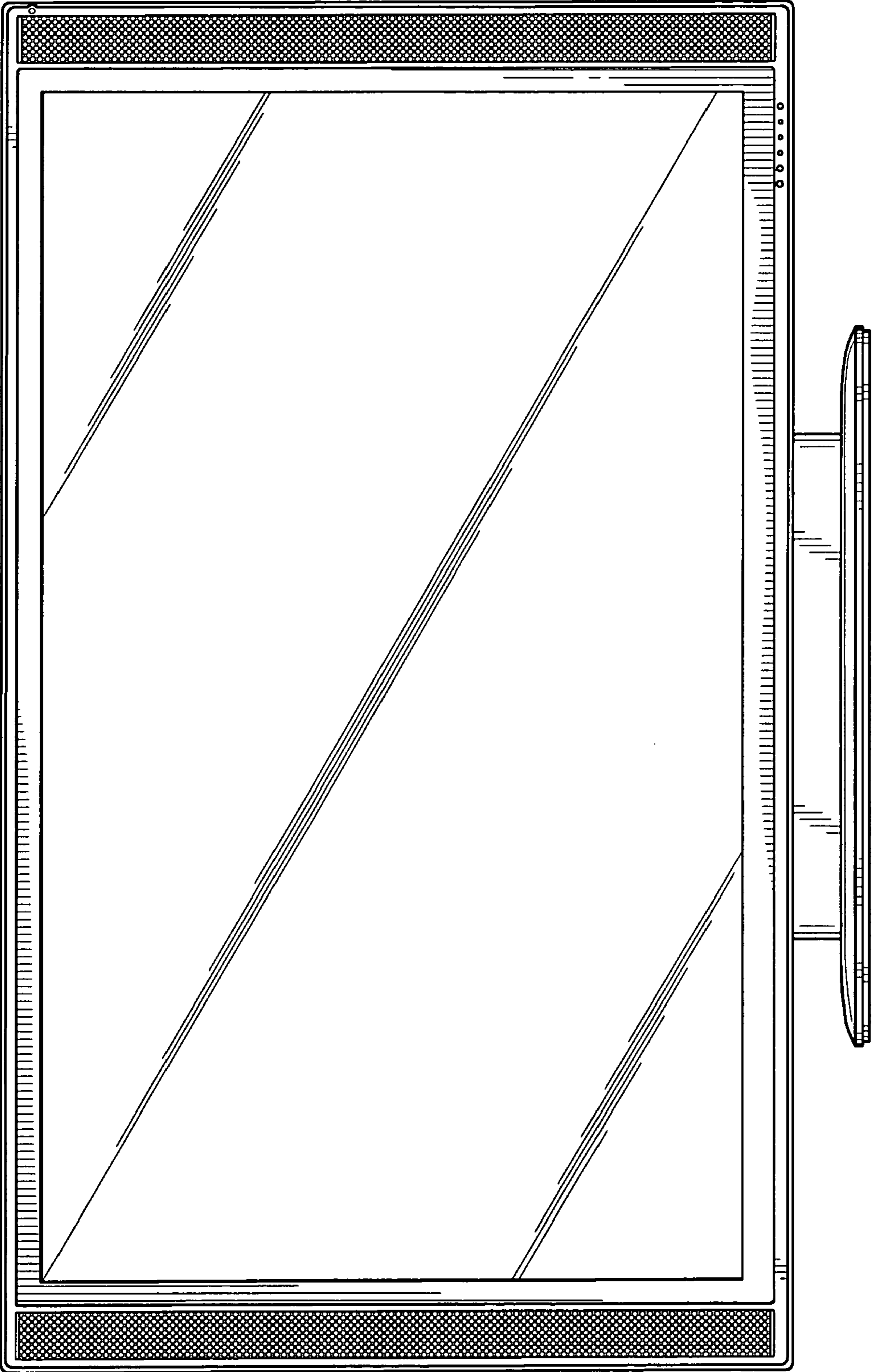


Fig. 2

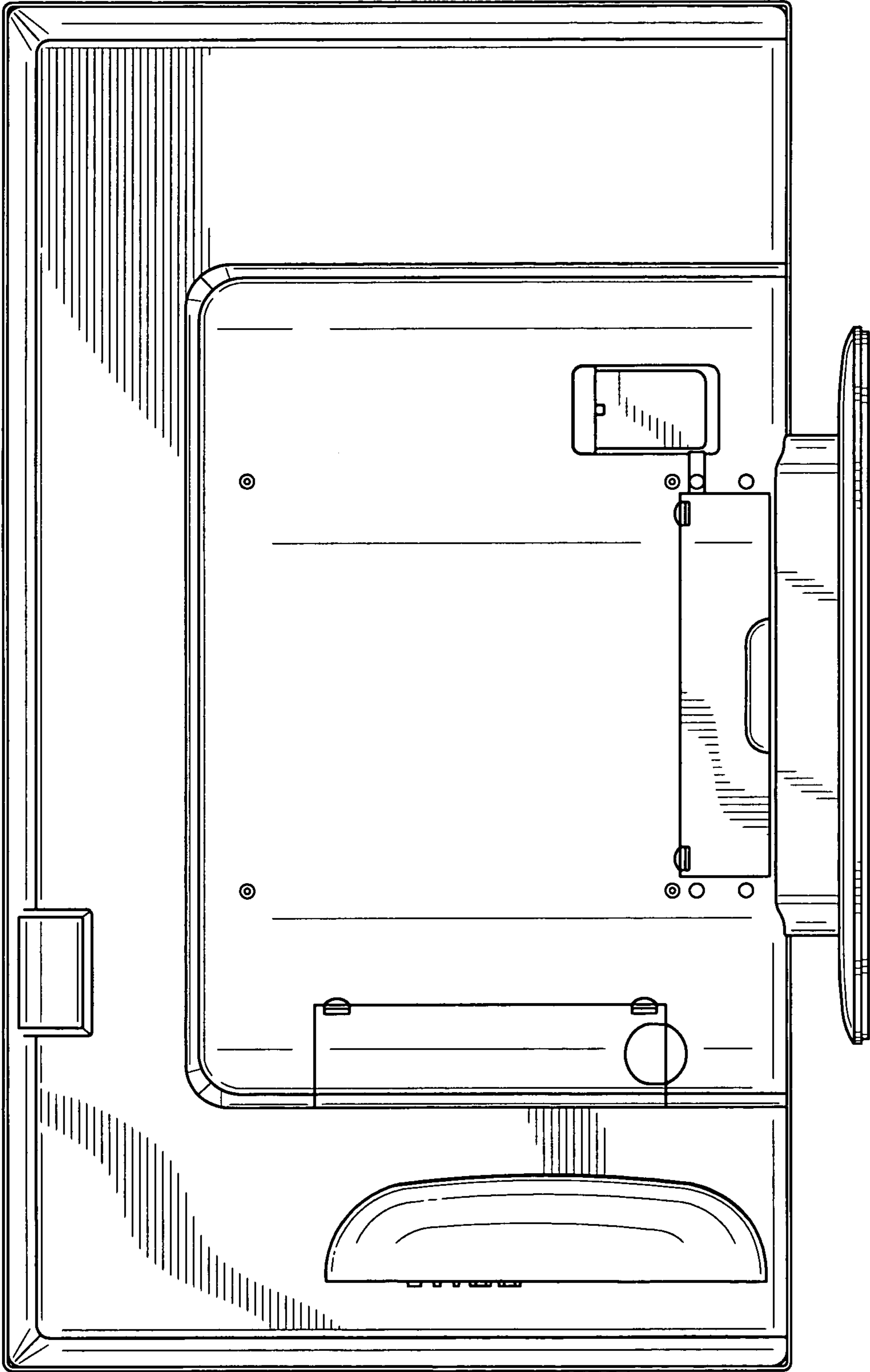


Fig. 3

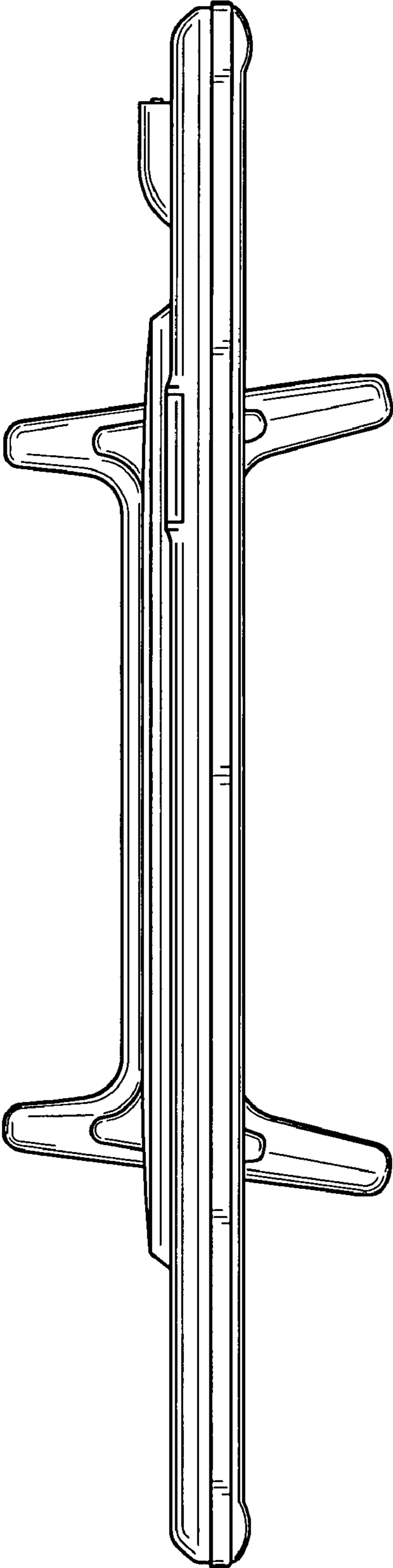


Fig. 4

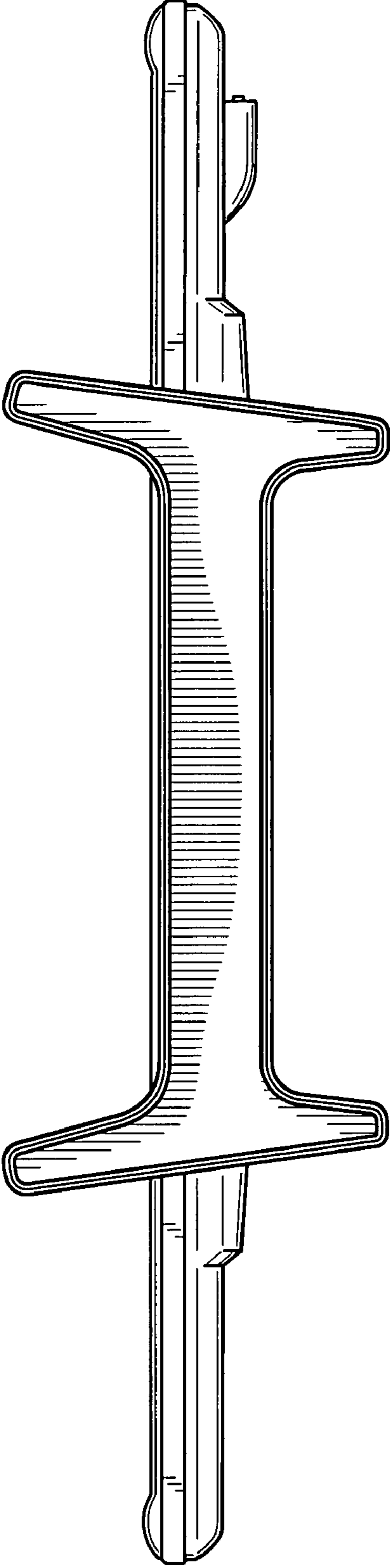


Fig. 5

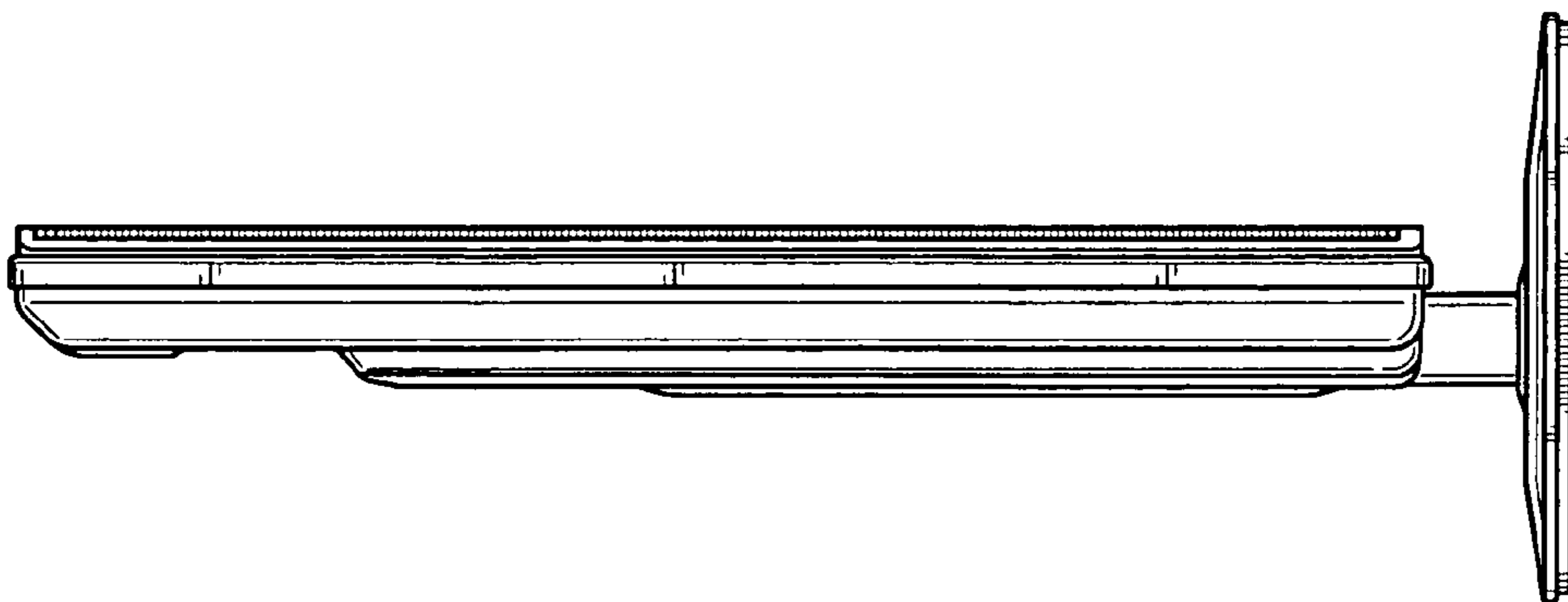


Fig. 7

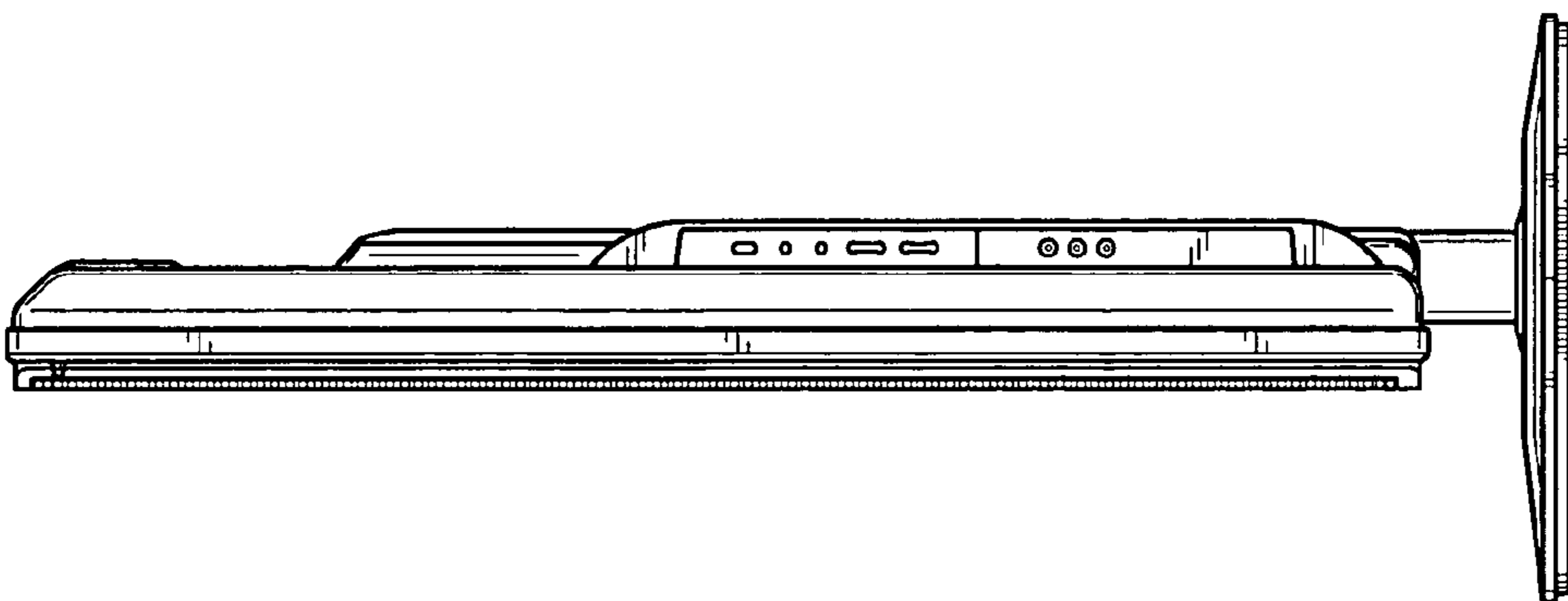


Fig. 6