



US00D584251S

(12) **United States Design Patent**  
**Lewis, II et al.**

(10) **Patent No.:** **US D584,251 S**  
(45) **Date of Patent:** **\*\* Jan. 6, 2009**

- (54) **ELECTRONIC EQUIPMENT CABINET**
- (75) Inventors: **Richard Evans Lewis, II**, Austin, TX (US); **James I. Lawrence**, Georgetown, TX (US); **Eugene Vicknair**, Santa Clara, CA (US); **Victor Lazzaro**, Discovery Bay, CA (US)
- (73) Assignee: **Chatsworth Products, Inc.**, Westlake Village, CA (US)
- (\*\*) Term: **14 Years**
- (21) Appl. No.: **29/304,738**
- (22) Filed: **Mar. 6, 2008**

**Related U.S. Application Data**

- (62) Division of application No. 29/248,105, filed on Jul. 28, 2006, now abandoned.
- (51) **LOC (9) Cl.** ..... **13-99**
- (52) **U.S. Cl.** ..... **D13/184**
- (58) **Field of Classification Search** ..... D13/184, D13/163, 162, 199, 110; D14/300, 301, D14/302, 308, 310, 313; D6/448, 432, 440, D6/446; 385/139; 361/622; 220/3.8; 174/374  
See application file for complete search history.

(56) **References Cited**

**U.S. PATENT DOCUMENTS**

3,247,312 A *	4/1966	Alessi	.....	174/374
4,502,609 A *	3/1985	Christatos	.....	220/3.8
D340,700 S	10/1993	Shukur et al.		
D348,469 S	7/1994	Johnson et al.		
5,460,441 A	10/1995	Hastings et al.		
D366,247 S *	1/1996	Mazura et al.	.....	D13/184
5,498,073 A	3/1996	Charbonneau et al.		
D379,004 S *	4/1997	Keijser et al.	.....	D13/184
5,639,150 A	6/1997	Anderson et al.		
D390,835 S *	2/1998	Mayfield, III	.....	D13/184
5,806,945 A	9/1998	Anderson et al.		
D402,639 S	12/1998	Baxter et al.		
D407,385 S *	3/1999	Belanger et al.	.....	D14/308

- 6,006,925 A 12/1999 Sevier
- 6,036,290 A 3/2000 Jancsek et al.
- D427,454 S \* 7/2000 Munch et al. .... D6/448
- D432,098 S 10/2000 Nelson et al.
- D440,210 S 4/2001 Larsen et al.

(Continued)

*Primary Examiner*—Robert M Spear  
*Assistant Examiner*—Ania K Dworzecka  
(74) *Attorney, Agent, or Firm*—Tillman Wright, PLLC; James D. Wright; Chad D. Tillman

(57) **CLAIM**

The ornamental design for an electronic equipment cabinet, as shown.

**DESCRIPTION**

FIG. 1 is a perspective view of the design for an electronic equipment cabinet in accordance with a first preferred embodiment of the present invention;

FIG. 2 is a front elevational view of the electronic equipment cabinet of FIG. 1;

FIG. 3 is a left elevational view of the electronic equipment cabinet of FIG. 1;

FIG. 4 is a right elevational view of the electronic equipment cabinet of FIG. 1;

FIG. 5 is a top plan view of the electronic equipment cabinet of FIG. 1;

FIG. 6 is a perspective view of the design for an electronic equipment cabinet in accordance with a second preferred embodiment of the present invention;

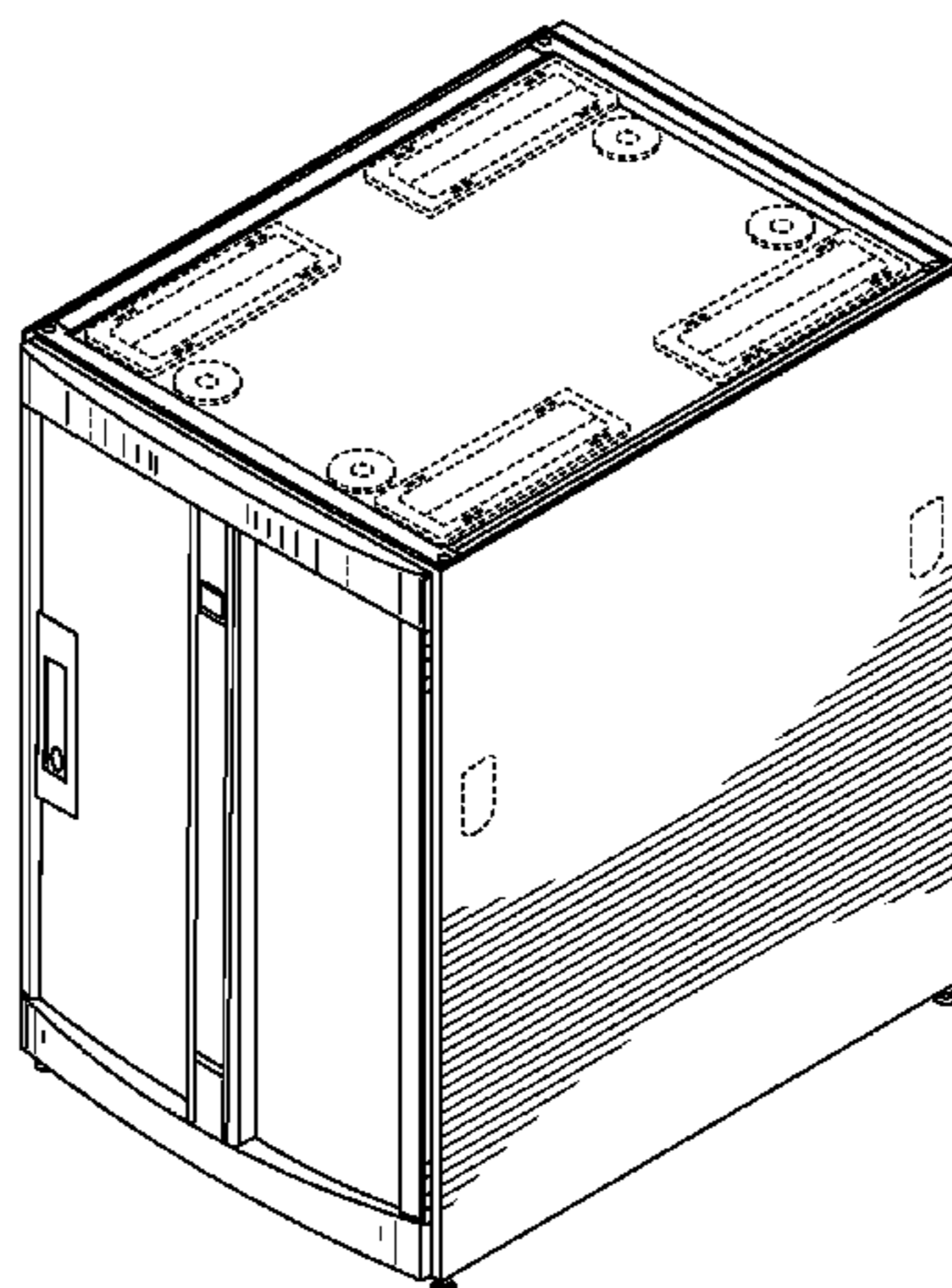
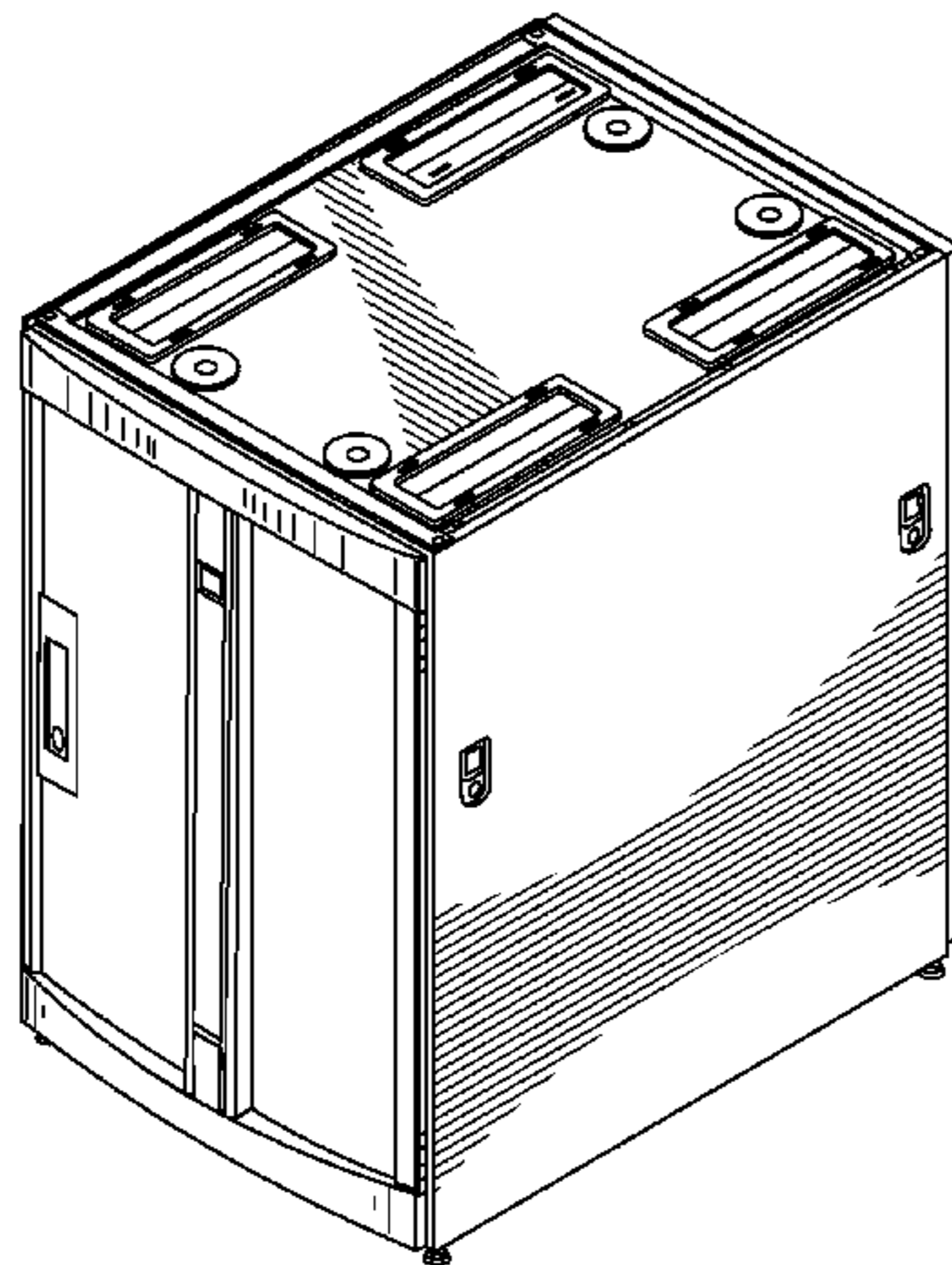
FIG. 7 is a front elevational view of the electronic equipment cabinet of FIG. 6;

FIG. 8 is a left elevational view of the electronic equipment cabinet of FIG. 6;

FIG. 9 is a right elevational view of the electronic equipment cabinet of FIG. 6; and,

FIG. 10 is a top plan view of the electronic equipment cabinet of FIG. 6.

**1 Claim, 10 Drawing Sheets**

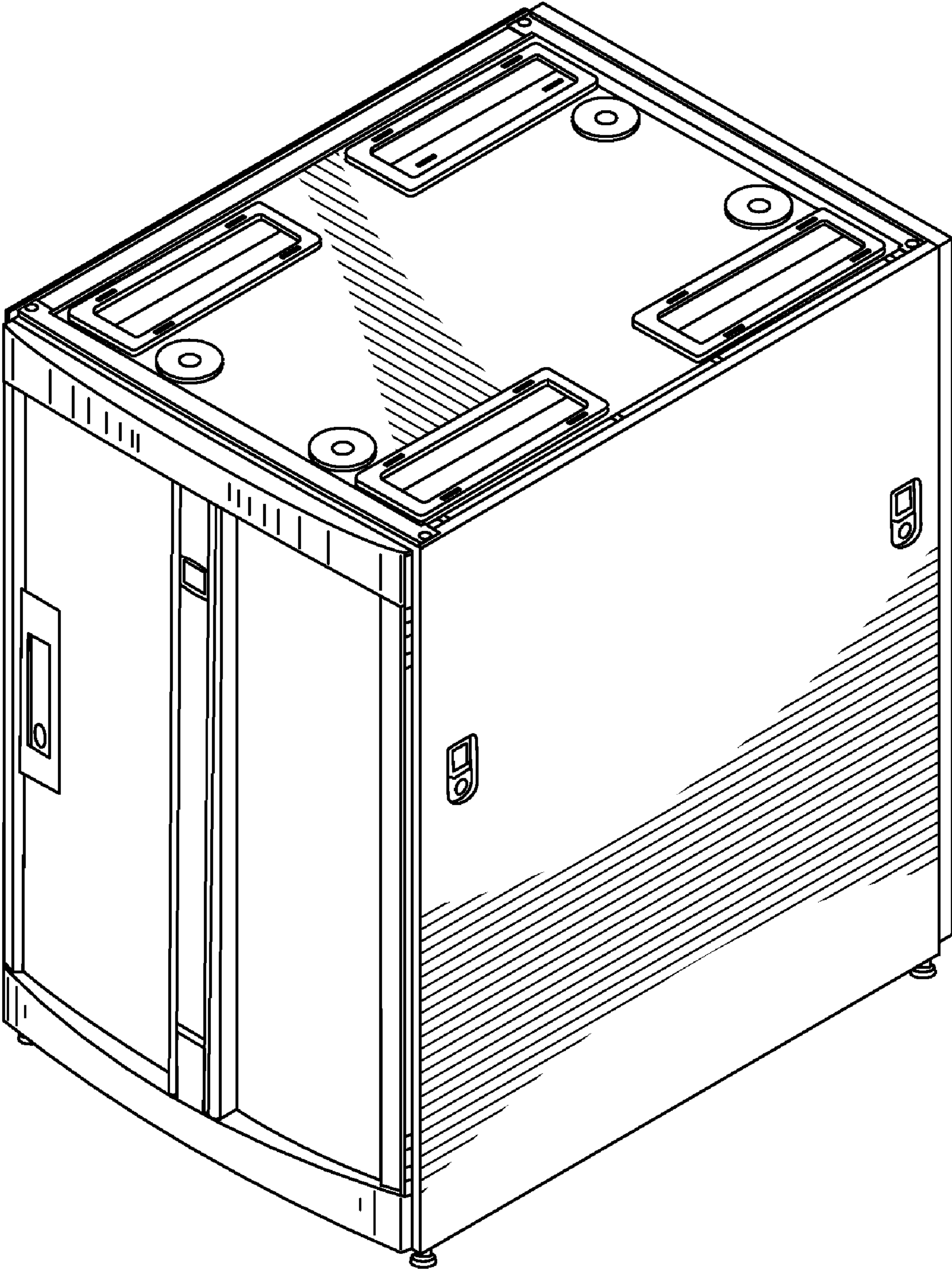


# US D584,251 S

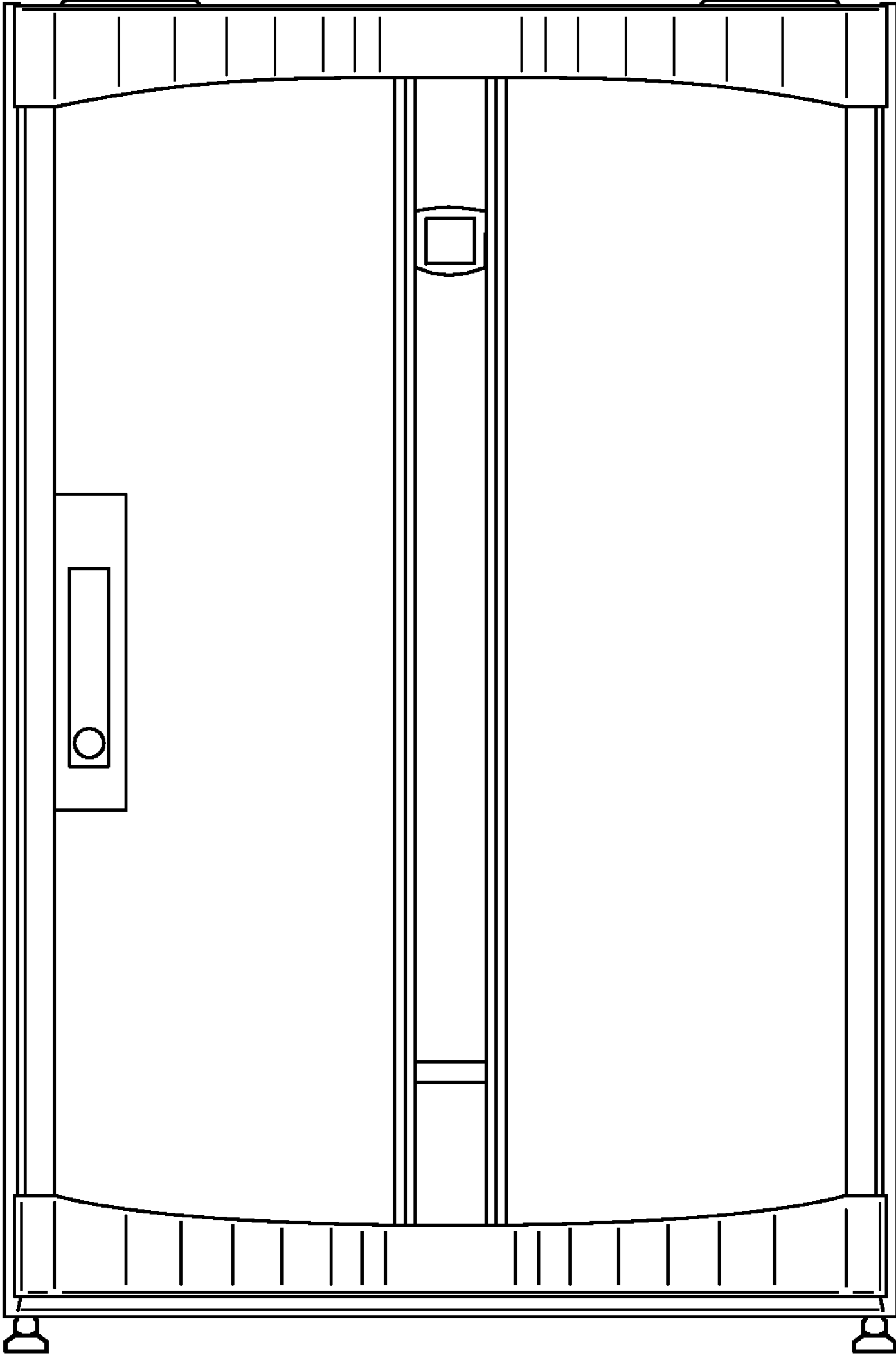
Page 2

---

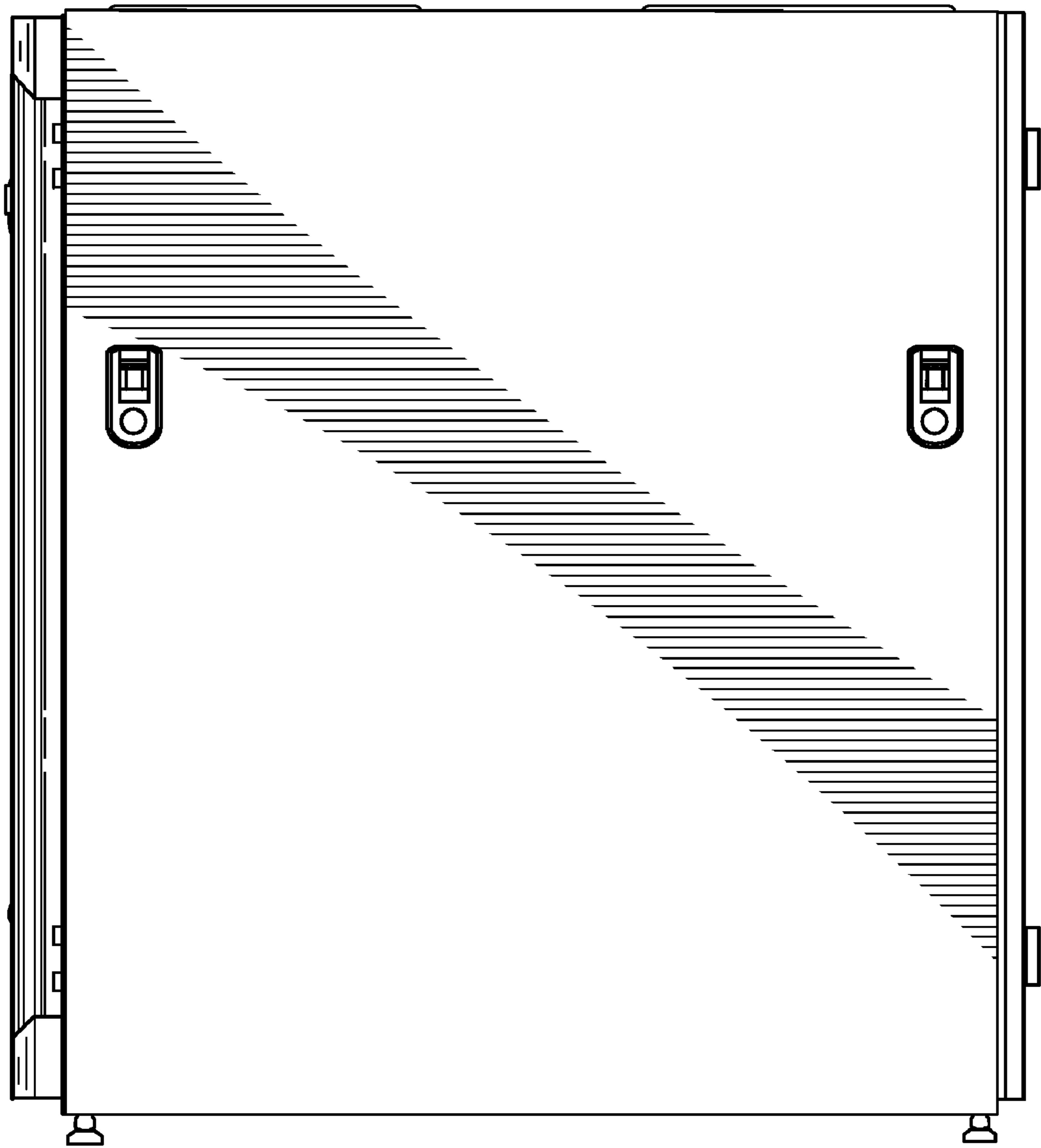
U.S. PATENT DOCUMENTS							
6,213,577	B1	4/2001	Rooyakkers et al.	D543,161	S	5/2007	Stepputat
D441,728	S	5/2001	Fujikura et al.	D555,641	S	11/2007	Levesque et al.
D457,147	S *	5/2002	Bradley ..... D13/184	2003/0020379	A1	1/2003	Larsen et al.
D459,614	S *	7/2002	Grosfillex ..... D6/446	2004/0190270	A1	9/2004	Aldag et al.
6,454,646	B1	9/2002	Helgenberg et al.	2005/0259383	A1 *	11/2005	Ewing et al. .... 361/622
6,489,565	B1	12/2002	Kreitzman et al.	2007/0210679	A1	9/2007	Adducci et al.
D468,555	S *	1/2003	Romaen et al. .... D6/440	2007/0210680	A1	9/2007	Appino et al.
6,554,697	B1	4/2003	Koplin	2007/0210681	A1	9/2007	Adducci et al.
D479,241	S	9/2003	Witte	2008/0017760	A1	1/2008	Larsen et al.
D524,740	S	7/2006	Witte	2008/0180004	A1	7/2008	Martich et al.
7,200,317	B2 *	4/2007	Reagan et al. .... 385/139				* cited by examiner



**FIG. 1**



**FIG. 2**



**FIG. 3**

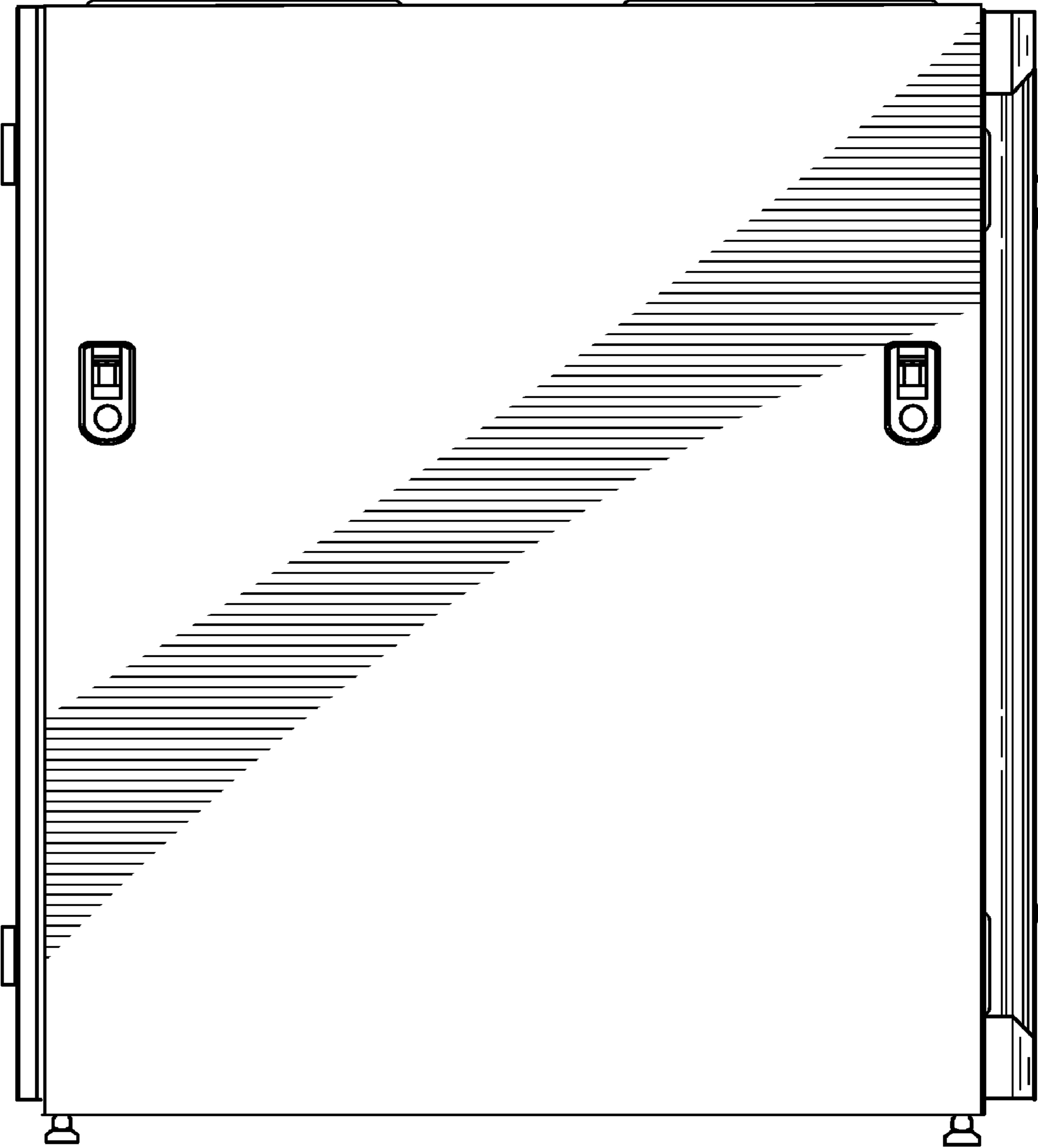
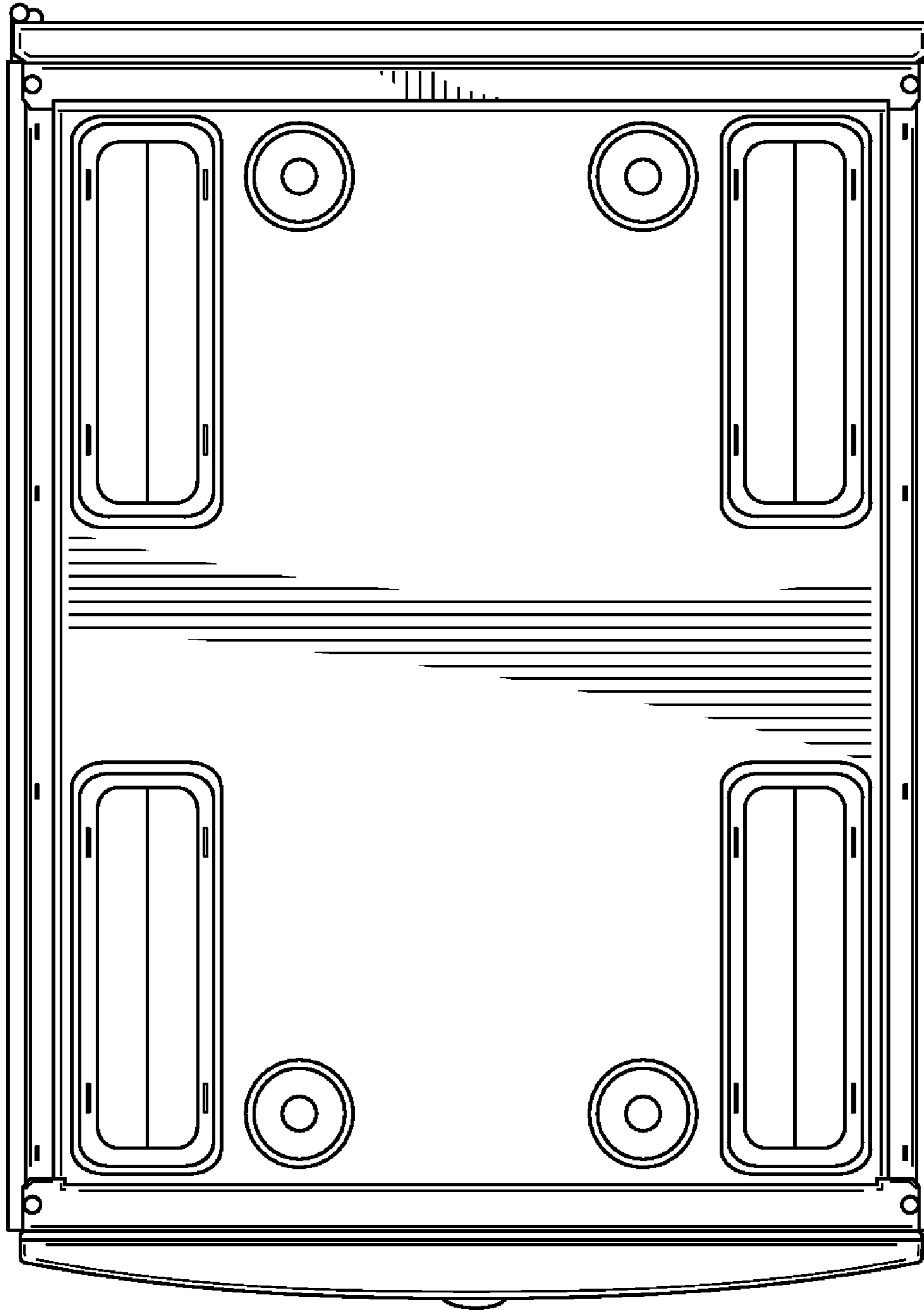
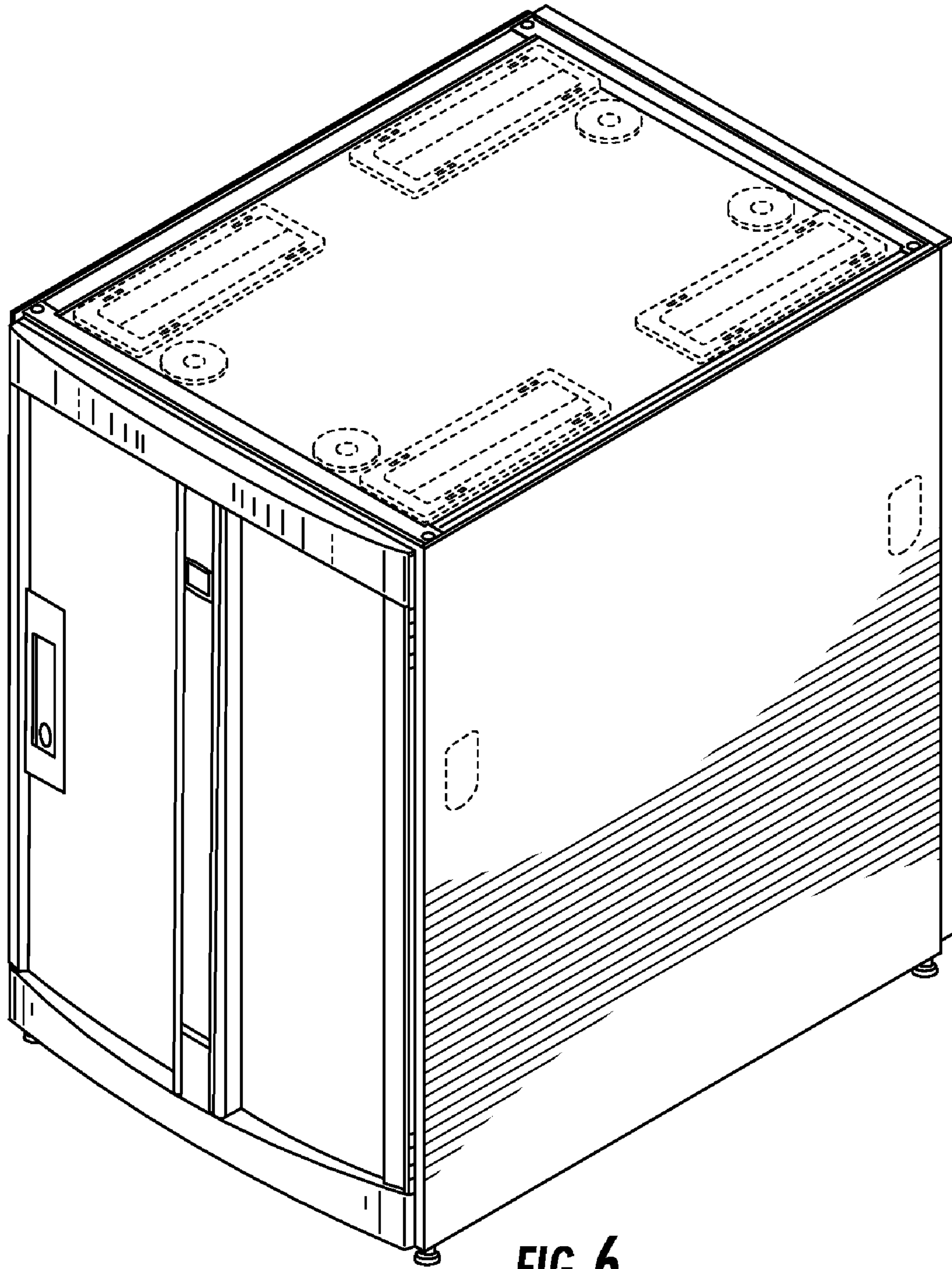


FIG. 4

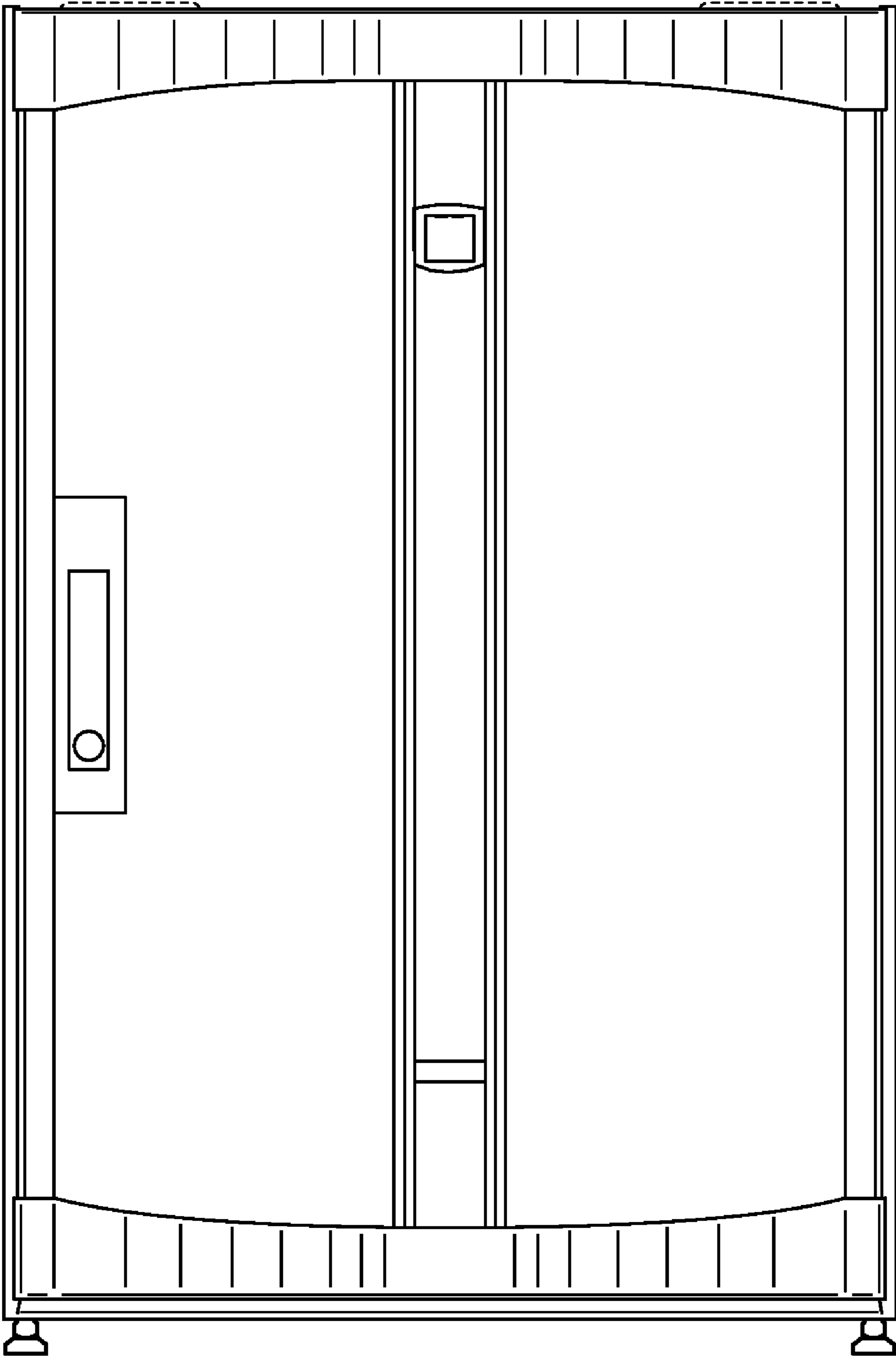


**FIG. 5**

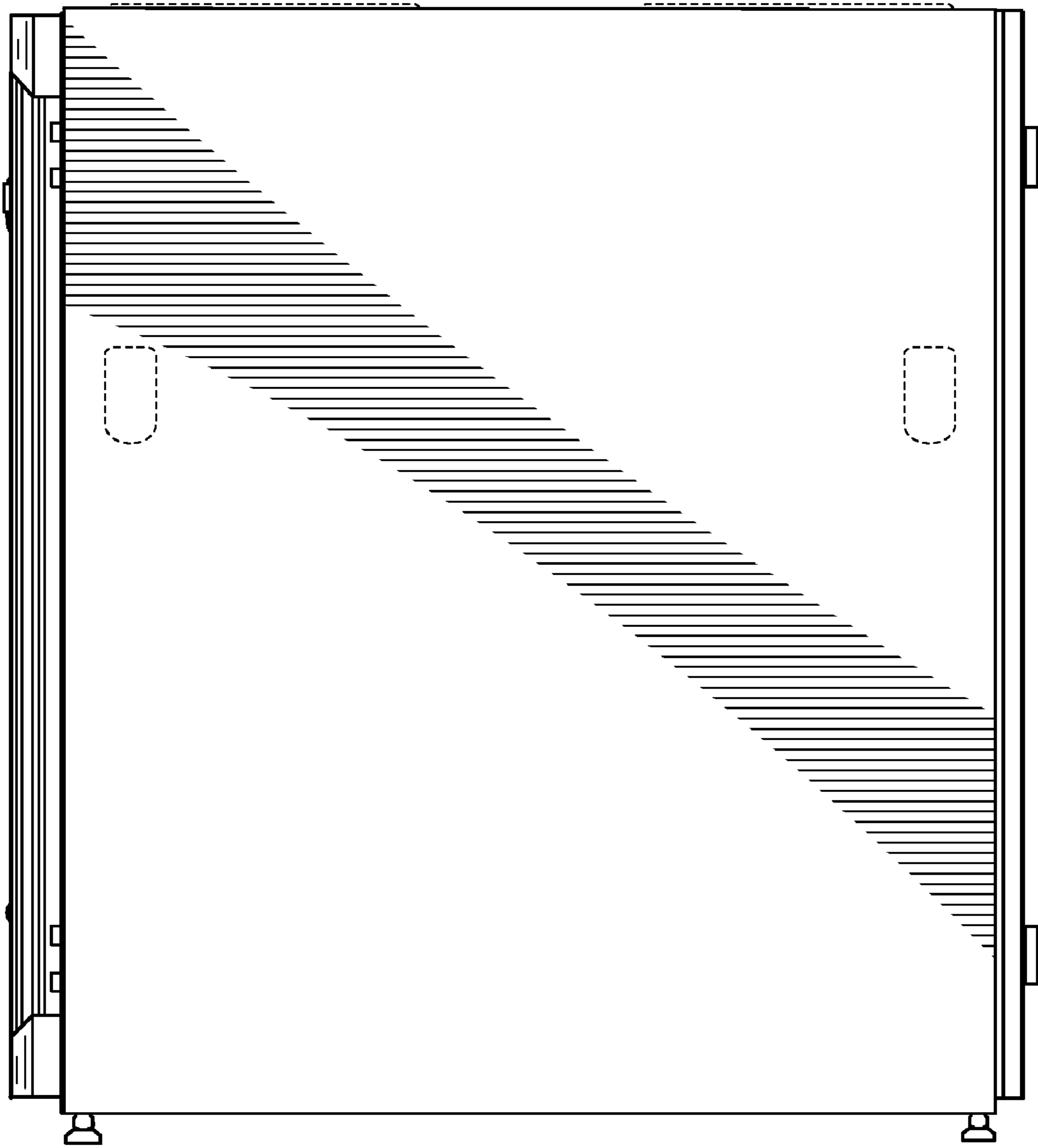


**FIG. 6**

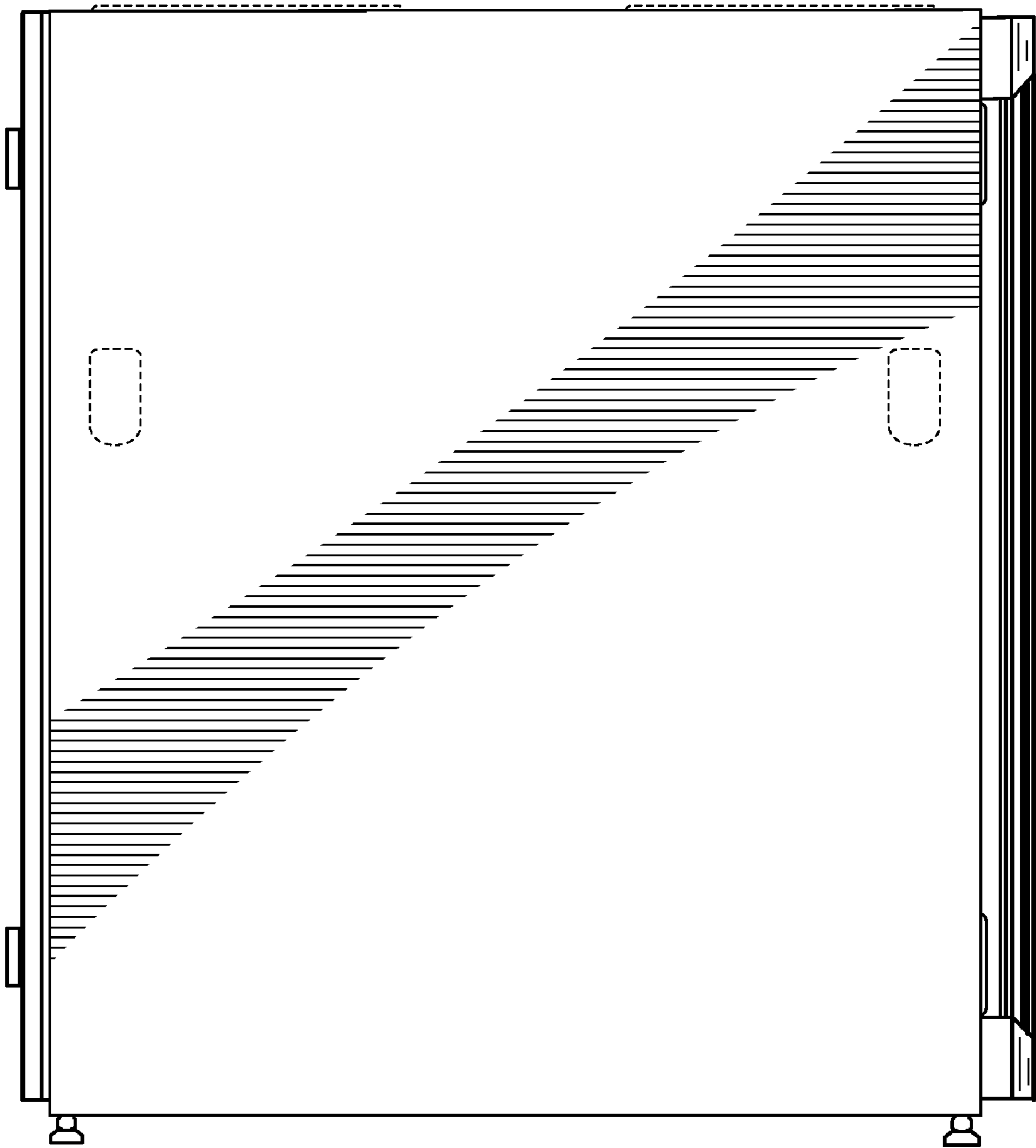




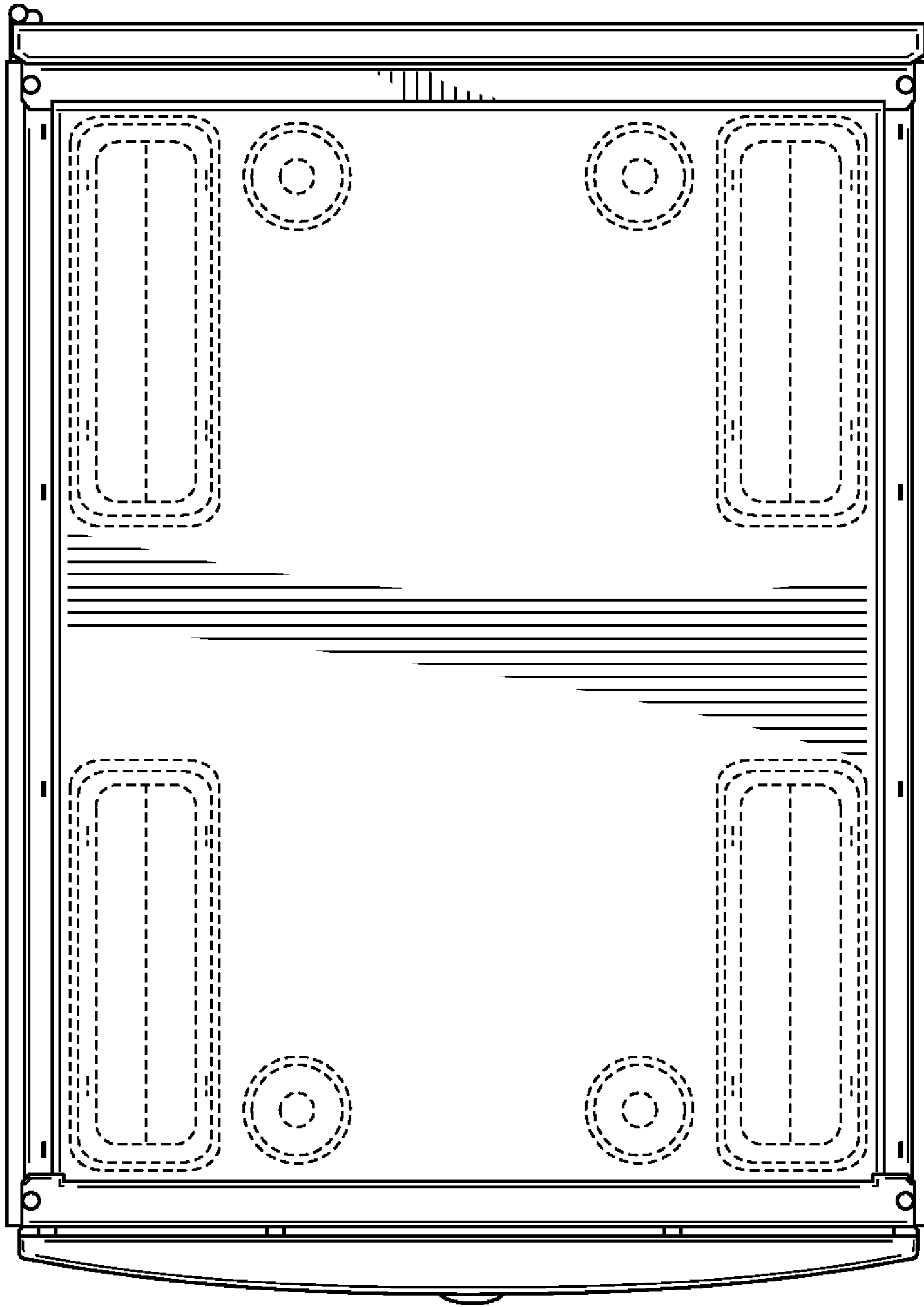
**FIG. 7**



**FIG. 8**



**FIG. 9**



**FIG. 10**