



US00D584248S

(12) **United States Design Patent**
Sung et al.

(10) **Patent No.:** **US D584,248 S**

(45) **Date of Patent:** **** Jan. 6, 2009**

(54) **LIGHT EMITTING DIODE**

(75) Inventors: **Jae-Hoon Sung**, Seoul (KR); **Kham Lee**, Goyang-si (KR)

(73) Assignee: **Alti-Electronics, Co., Ltd.**, Yongin-Si (KR)

(**) Term: **14 Years**

(21) Appl. No.: **29/290,979**

(22) Filed: **Feb. 5, 2008**

(30) **Foreign Application Priority Data**

Aug. 20, 2007 (KR) 30-2007-0035379

(51) **LOC (9) Cl.** **13-03**

(52) **U.S. Cl.** **D13/180**

(58) **Field of Classification Search** D13/180;
D26/2; 257/79, 80, 81, 88, 89, 95, 98, 99,
257/100; 313/483, 498, 500; 362/555, 800
See application file for complete search history.

(56) **References Cited**

U.S. PATENT DOCUMENTS

- 6,495,861 B1 * 12/2002 Ishinaga 257/99
- 6,586,721 B2 * 7/2003 Estevez-Garcia 250/221
- 6,707,069 B2 * 3/2004 Song et al. 257/79
- D510,914 S * 10/2005 Suenaga D13/180
- D514,073 S * 1/2006 Suenaga D13/180

- D520,965 S * 5/2006 Omata D13/180
- D563,333 S * 3/2008 Kim D13/180
- D573,114 S * 7/2008 Min et al. D13/180
- 2007/0241357 A1 * 10/2007 Yan 256/98
- 2007/0246715 A1 * 10/2007 Shin et al. 257/79
- 2007/0262336 A1 * 11/2007 Tamaki et al. 257/98
- 2007/0267637 A1 * 11/2007 Kim et al. 257/81

* cited by examiner

Primary Examiner—Selina Sikder

(74) *Attorney, Agent, or Firm*—Nath Law Group; Jerald L. Meyer; Derek Richmond

(57) **CLAIM**

The ornamental design for a light emitting diode, as shown and described herein.

DESCRIPTION

FIG. 1 is a perspective view of a light emitting diode showing our new design;

FIG. 2 is a front elevational view thereof;

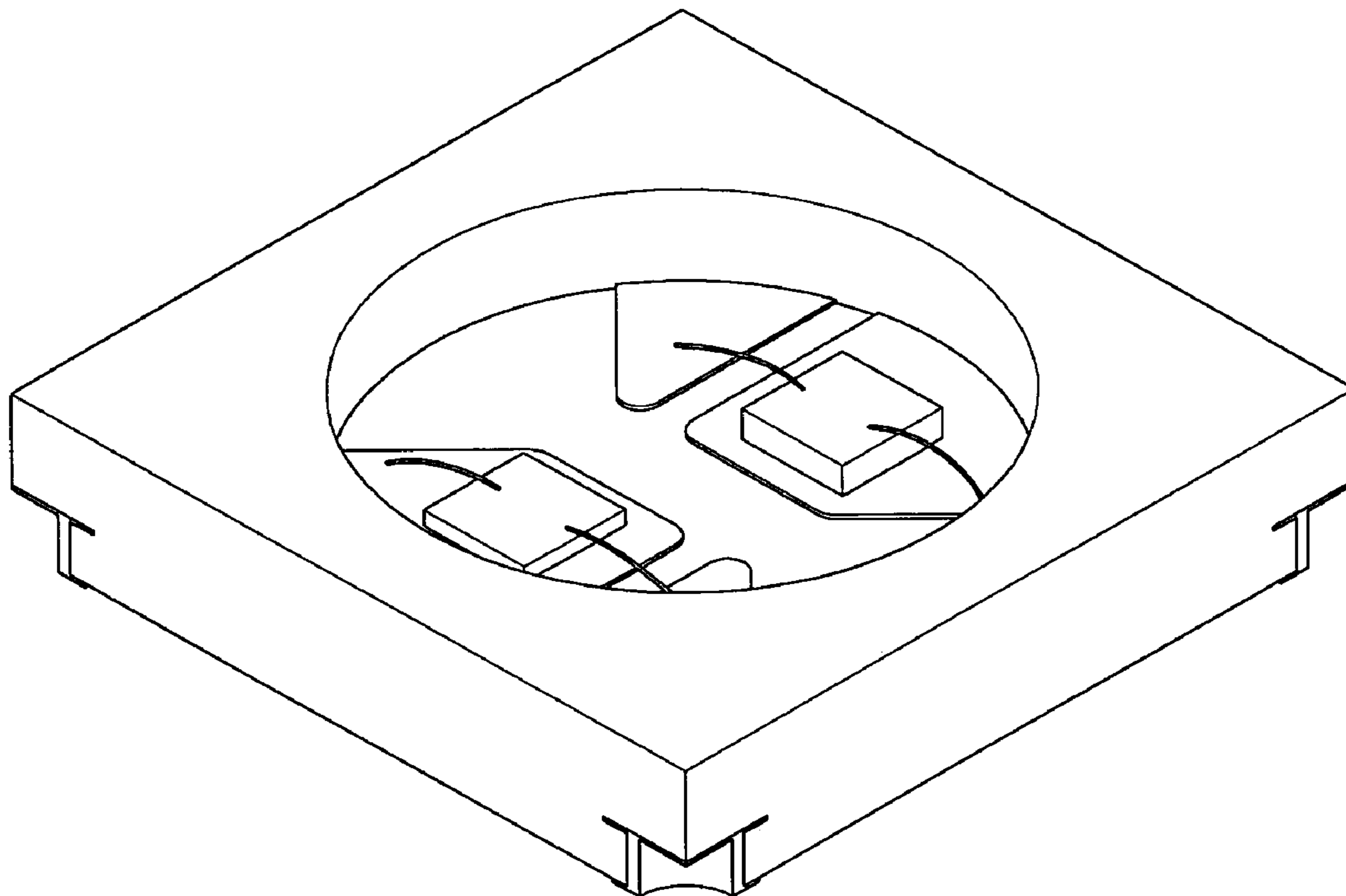
FIG. 3 is a rear elevational view thereof;

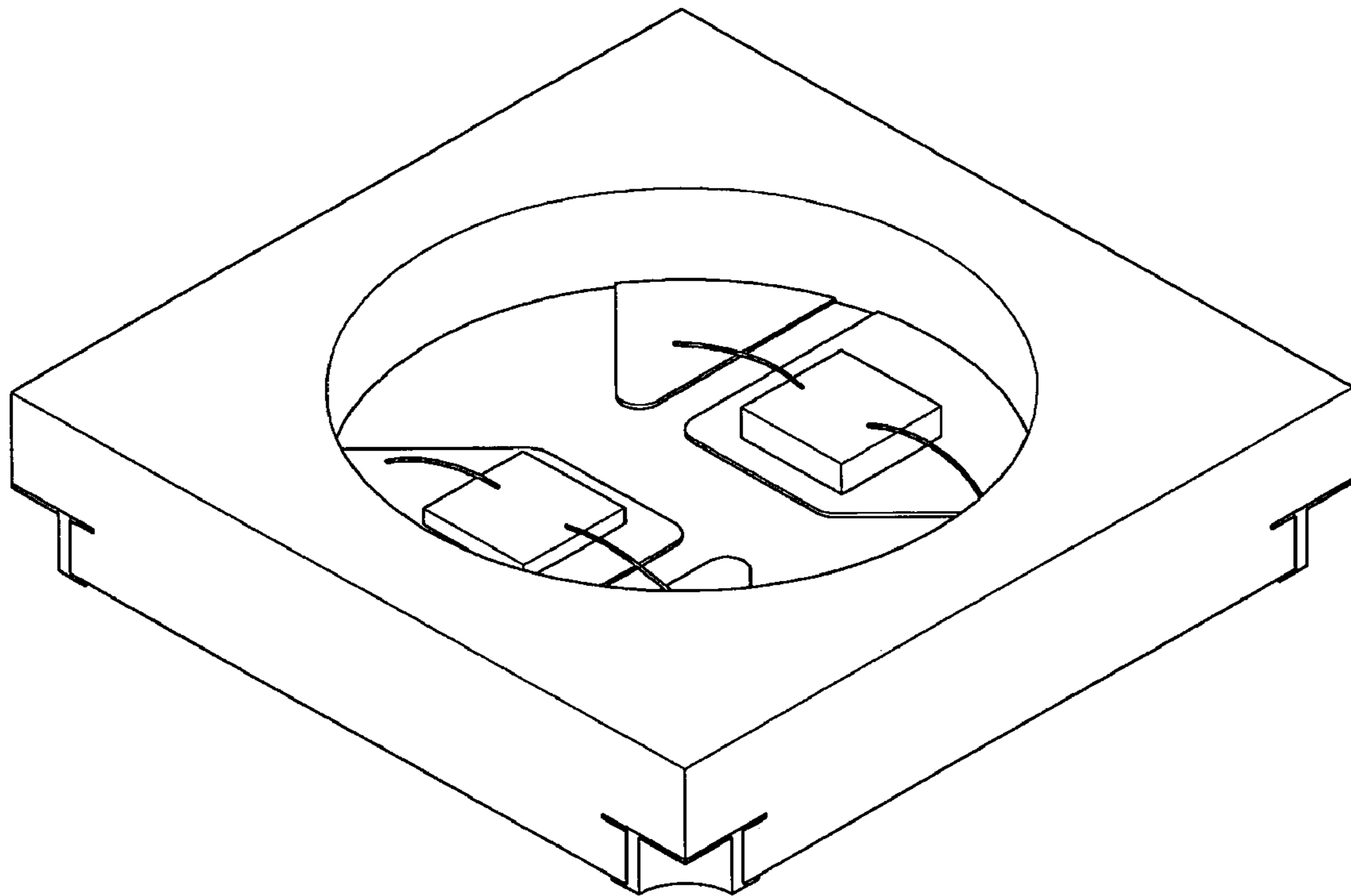
FIG. 4 is a left side elevational view thereof and the right side elevational view is a mirror image of the left side elevational view;

FIG. 5 is a top plan view thereof; and,

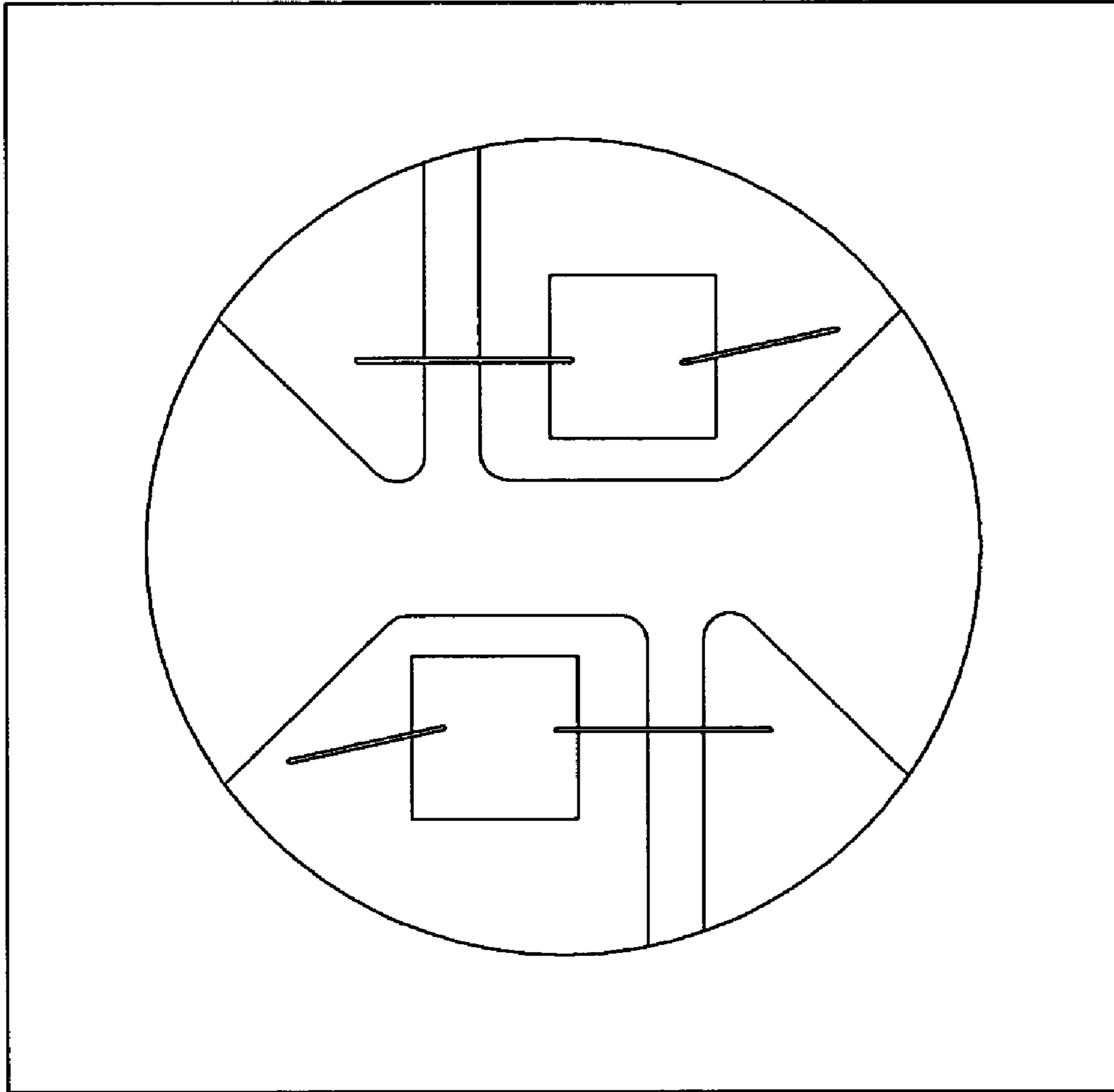
FIG. 6 is a bottom plan view.

1 Claim, 6 Drawing Sheets

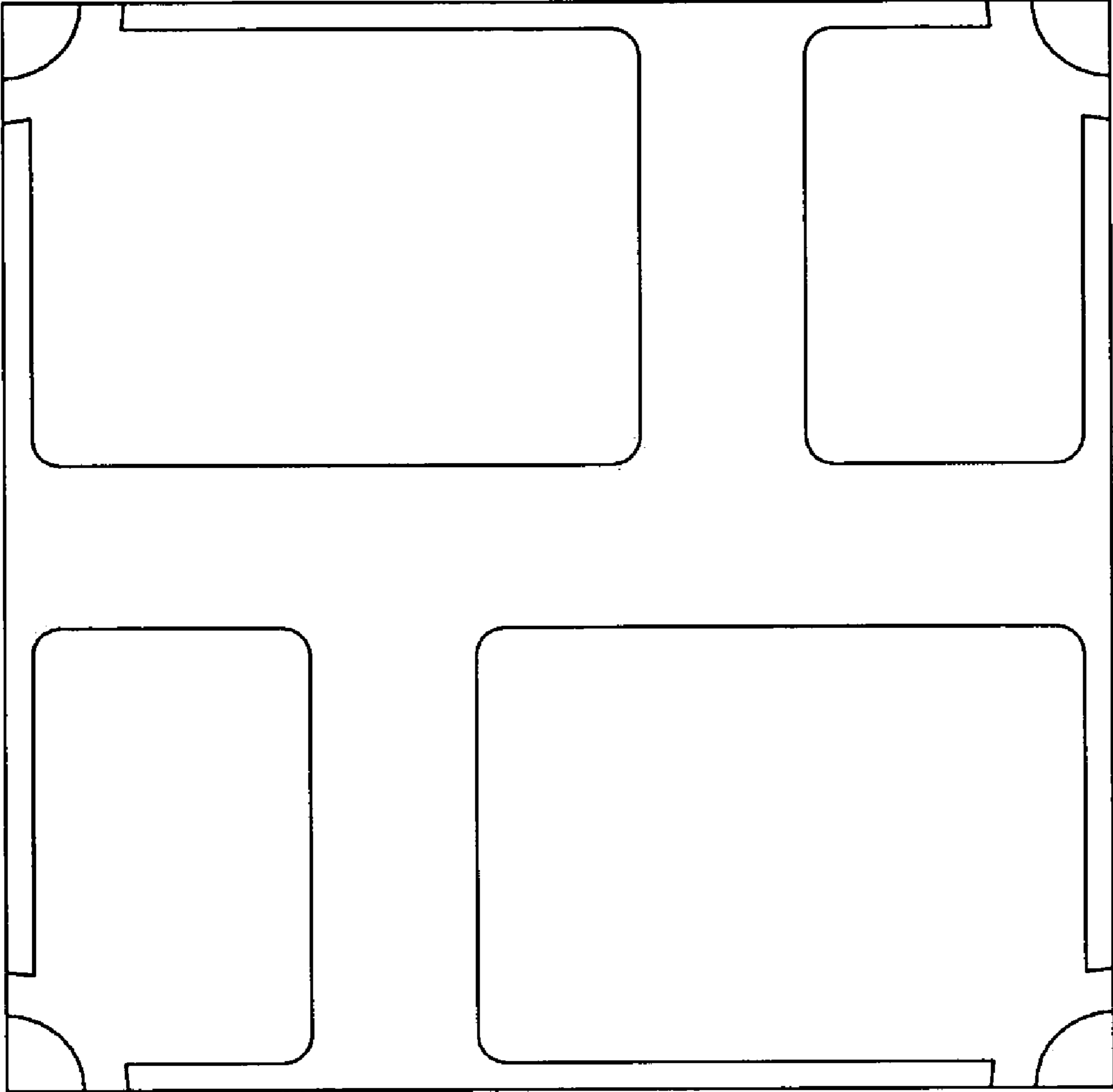




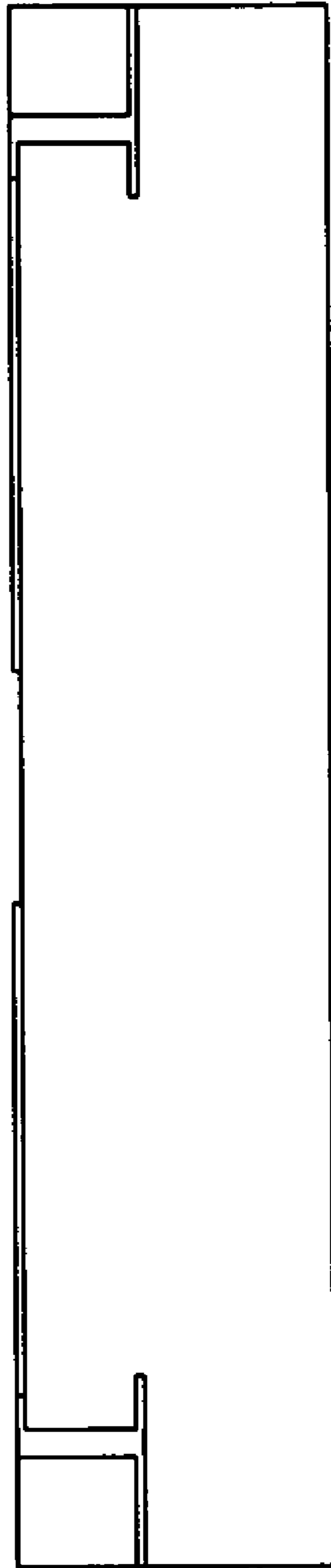
【Fig. 1】



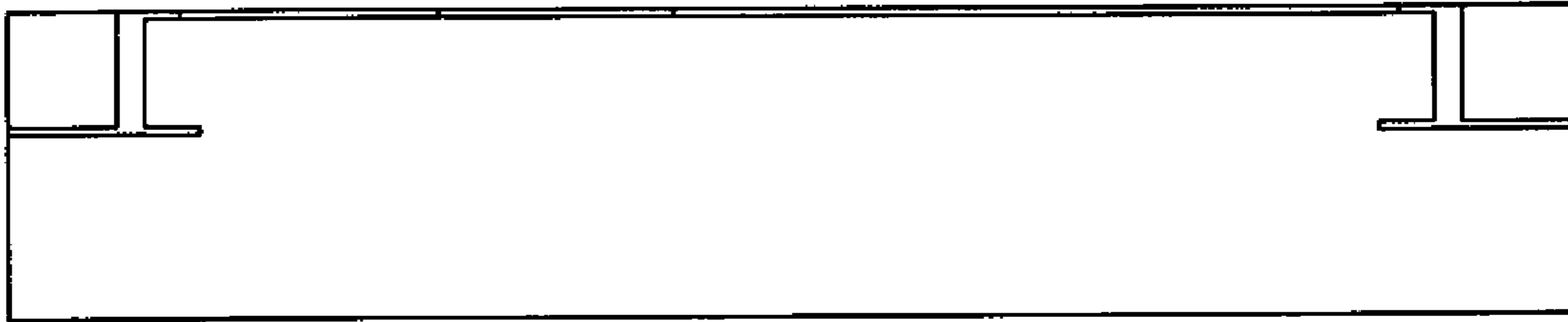
【Fig. 2】



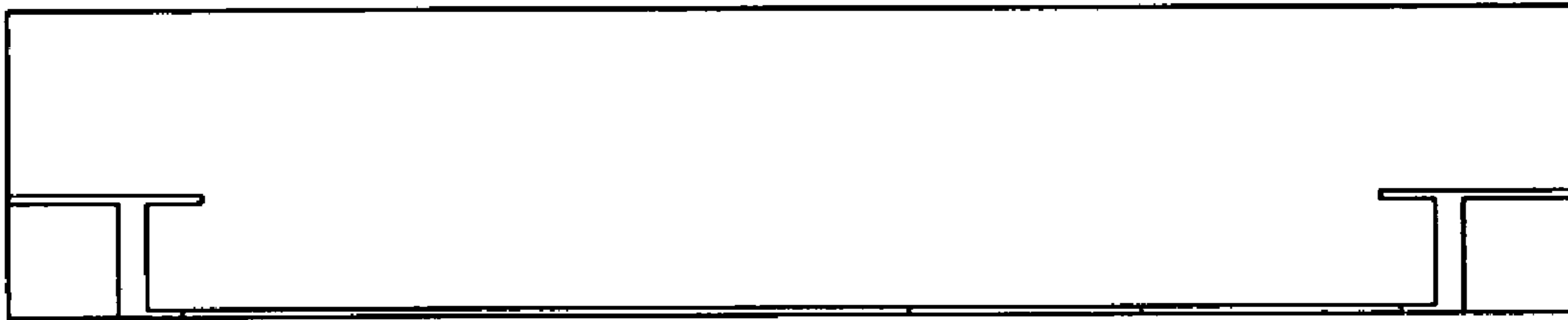
【Fig. 3】



【Fig. 4】



【Fig. 5】



【Fig. 6】