

US00D584246S

(12) **United States Design Patent**
Low et al.

(10) **Patent No.:** **US D584,246 S**
(45) **Date of Patent:** **** Jan. 6, 2009**

(54) **HIGH POWER LIGHT EMITTING DIODE**

(76) Inventors: **Tek Beng Low**, No. 8, Jalan M5, Melaka (MY) 75450; **Kheng Chiong Tay**, 9865, Jalan Kiri 9, Melaka (MY) 75250

(**) Term: **14 Years**

(21) Appl. No.: **29/265,969**

(22) Filed: **Sep. 11, 2006**

(30) **Foreign Application Priority Data**

Mar. 10, 2006 (MY) 06-00143

(51) **LOC (9) Cl.** **13-03**

(52) **U.S. Cl.** **D13/180**

(58) **Field of Classification Search** D13/180;
D26/2; 257/79, 80, 81, 88, 89, 95, 98, 99,
257/100; 313/483, 498, 500; 362/555, 800
See application file for complete search history.

(56) **References Cited**

U.S. PATENT DOCUMENTS

6,586,721 B2 * 7/2003 Estevez-Garcia 250/221

D494,550 S * 8/2004 Hoshiba D13/180
D495,304 S * 8/2004 Kim et al. D13/180
D503,930 S * 4/2005 Asakawa D13/180
2006/0049422 A1 * 3/2006 Shoji 257/100
2006/0151800 A1 * 7/2006 Keong et al. 257/99

* cited by examiner

Primary Examiner—Selina Sikder
(74) *Attorney, Agent, or Firm*—Jones Day

(57) **CLAIM**

The ornamental design for a high power light emitting diode, as shown and described.

DESCRIPTION

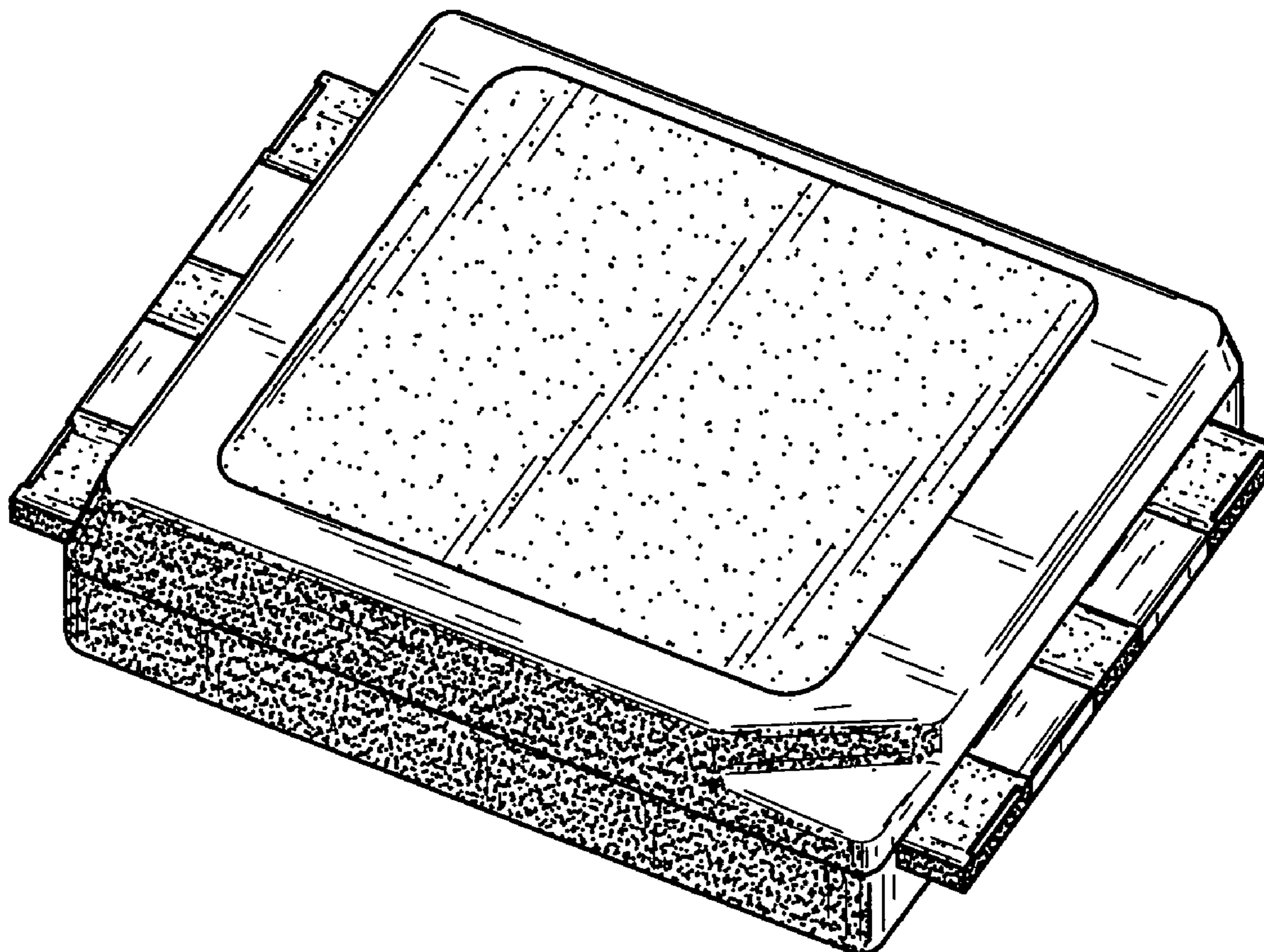
FIG. 1 is a perspective front view of an ornamental design for a high power light emitting diode according to the present invention;

FIG. 2 is a side view thereof;

FIG. 3 is a top view thereof; and,

FIG. 4 is a bottom view thereof.

1 Claim, 2 Drawing Sheets



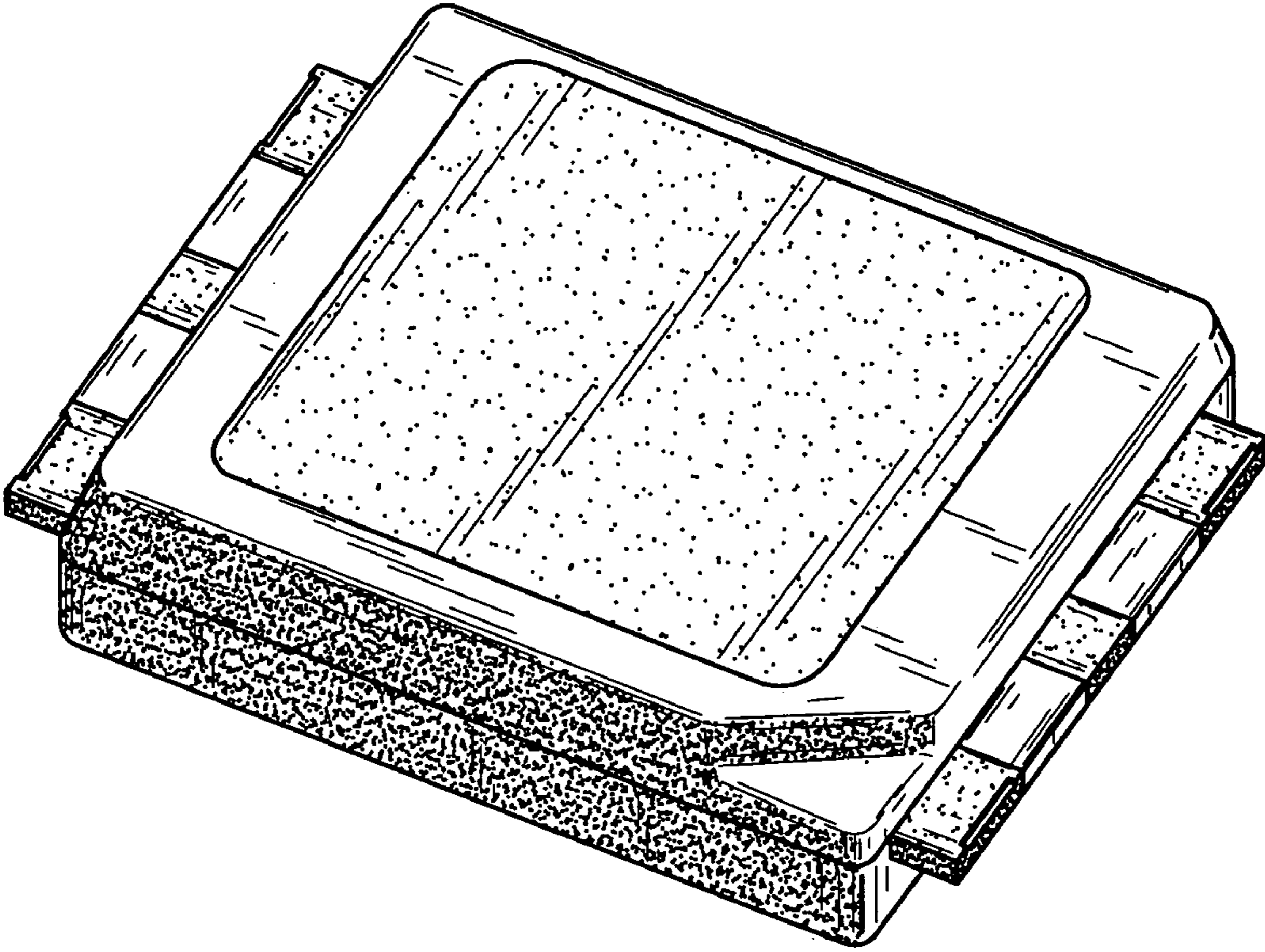


Fig.1

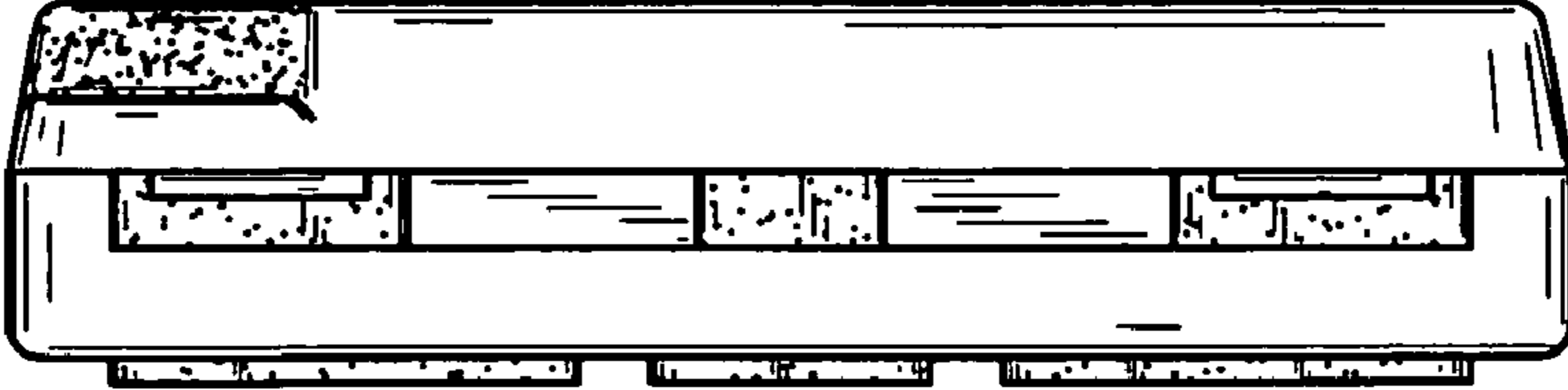


Fig.2

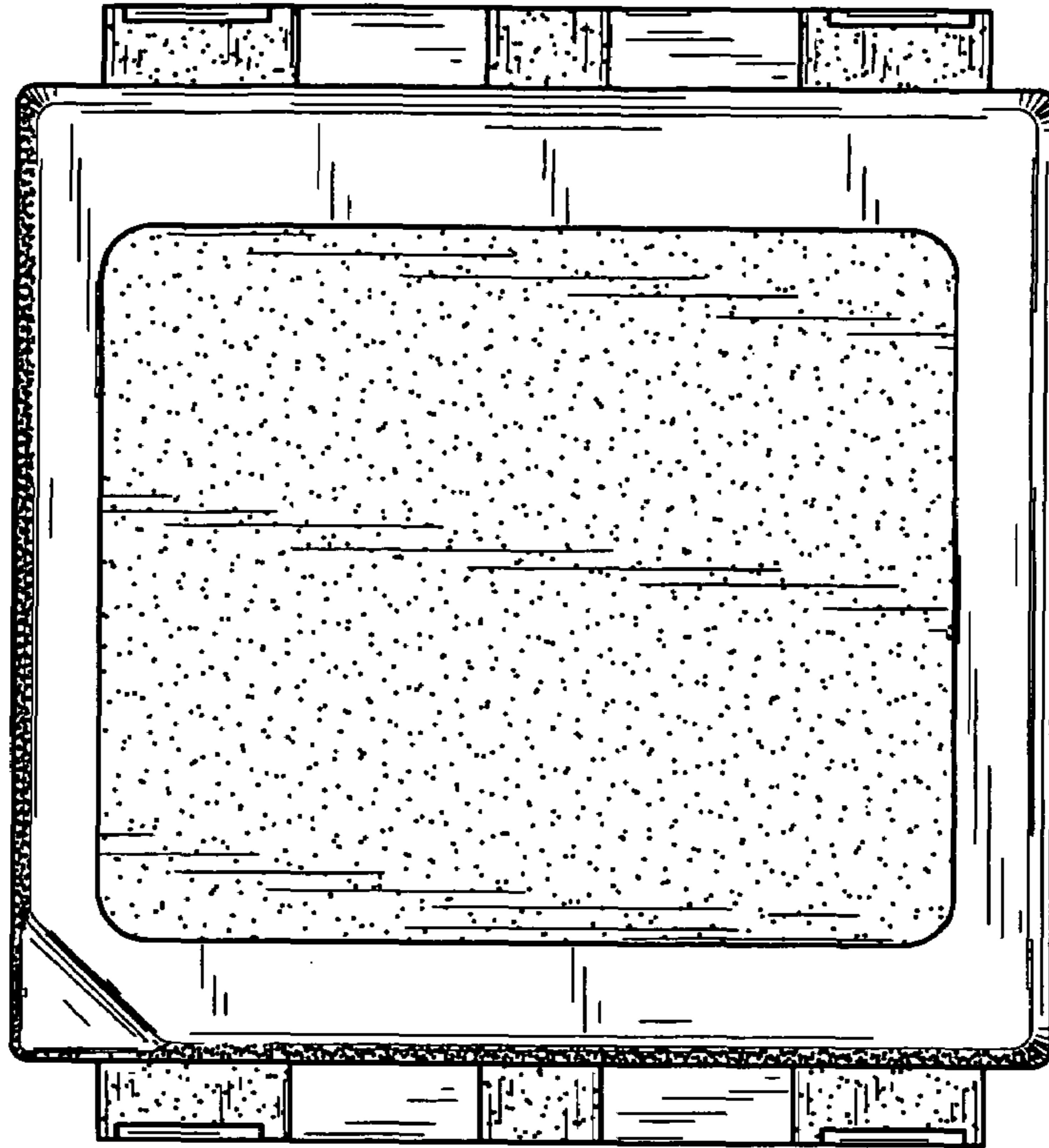


Fig.3

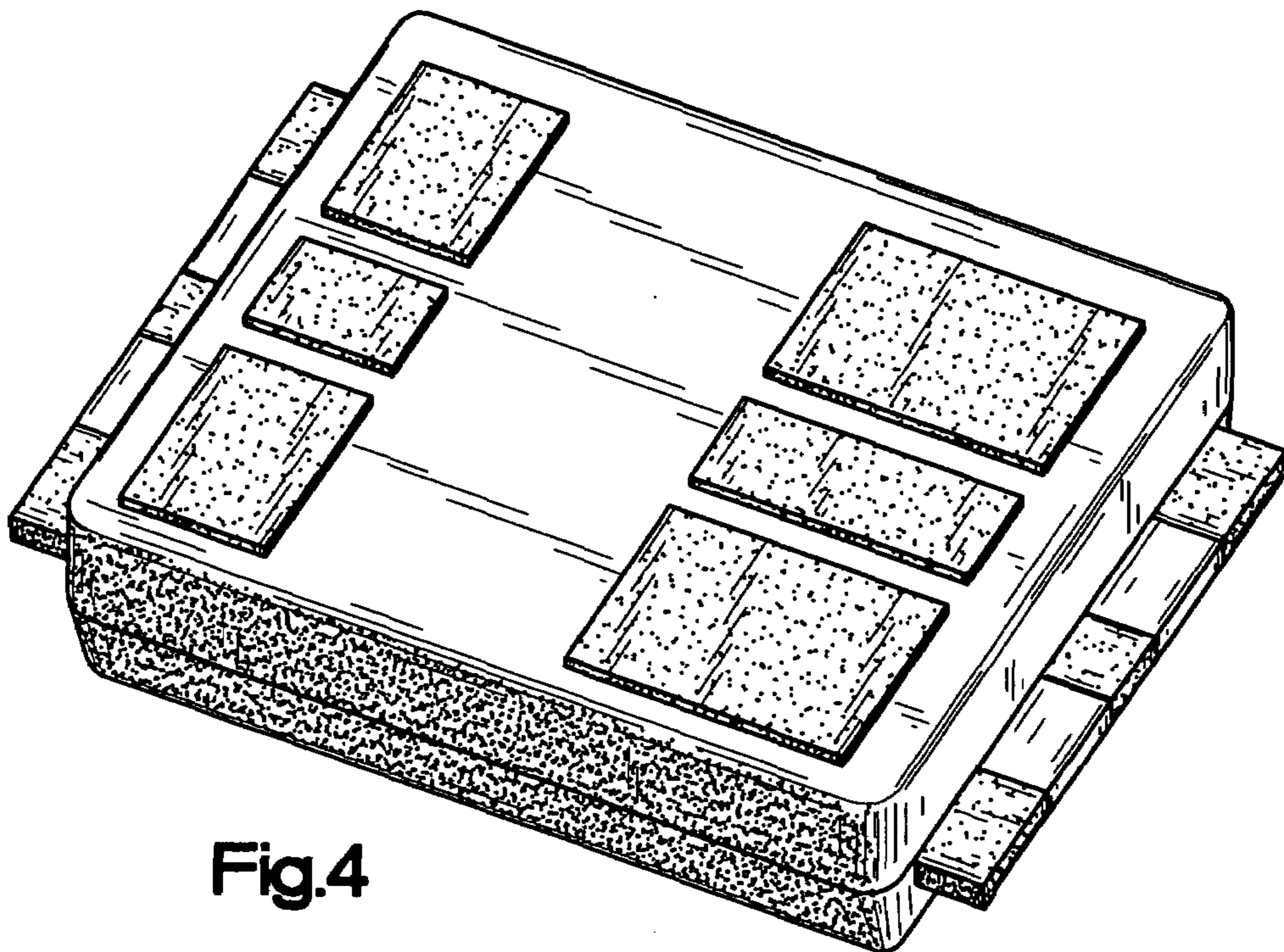


Fig.4