



US00D584244S

(12) **United States Design Patent**
Ohlert et al.

(10) **Patent No.:** **US D584,244 S**
(45) **Date of Patent:** **** Jan. 6, 2009**

(54) **CONTROL ELEMENTS FOR AN ELECTRICAL DEVICE**
(75) Inventors: **Eberhard Ohlert**, Erlangen (DE); **Axel Platz**, München (DE); **Alexandra Winkel**, Berlin (DE)
(73) Assignee: **Siemens Aktiengesellschaft**, Munich (DE)
(**) Term: **14 Years**
(21) Appl. No.: **29/299,773**
(22) Filed: **Jan. 4, 2008**
(30) **Foreign Application Priority Data**
Jul. 4, 2007 (EM) 000759030

(51) **LOC (9) Cl.** **13-03**
(52) **U.S. Cl.** **D13/174; D13/171**
(58) **Field of Classification Search** D13/162, D13/164, 168, 171; 174/66; 200/5 R, 5 A, 200/1 B, 293, 296, 329, 406, 513, 520, 530, 200/302.1, 302.2, 314, 315, 341, 344; 315/291-296; 338/198-200; D10/45, 50, 106, 108; D14/218, D14/247, 399, 456; D18/41; D21/385
See application file for complete search history.

(56) **References Cited**
U.S. PATENT DOCUMENTS
D76,365 S * 9/1928 Bloem D10/108
D276,247 S * 11/1984 Kim D14/399
D305,018 S * 12/1989 Pena et al. D13/164
D305,019 S * 12/1989 Pena et al. D13/171
D313,398 S * 1/1991 Gilchrist D13/168
D313,761 S * 1/1991 Bressler D10/60
D315,527 S * 3/1991 Kulikowski et al. D10/108

D317,137 S * 5/1991 Kulikowski et al. D10/108
D349,677 S * 8/1994 Avitan D12/192
D364,350 S * 11/1995 Pasquarette et al. D10/50
D373,998 S * 9/1996 Tutt et al. D13/168
D415,707 S * 10/1999 Gallagher et al. D10/108
D436,083 S * 1/2001 Kishita et al. D13/168
D451,482 S * 12/2001 Vanderheiden et al. D13/162
D494,489 S * 8/2004 Tulloch D10/106
D509,534 S * 9/2005 Suzuki D18/50
D543,247 S * 5/2007 Luciano et al. D21/385
D550,297 S * 9/2007 Luciano et al. D21/385
D550,302 S * 9/2007 Luciano et al. D21/385
D550,304 S * 9/2007 Luciano et al. D21/385
D551,215 S * 9/2007 Lee et al. D14/218
D553,097 S * 10/2007 Lemke et al. D13/162
D568,827 S * 5/2008 Ikeda et al. D13/168
7,381,913 B2 * 6/2008 Sjostrom 200/5 A
D573,545 S * 7/2008 Ablabutyan et al. D13/162

* cited by examiner

Primary Examiner—Selina Sikder
(74) *Attorney, Agent, or Firm*—Laurence A. Greenberg; Werner H. Stemer; Ralph E. Locher

(57) **CLAIM**

The ornamental design for control elements for an electrical device, as shown and described.

DESCRIPTION

FIG. 1 is a plan view of the control elements for an electrical device, showing our new design;
FIG. 2 is a right-side elevational view thereof, it being understood that the left side is a mirror image thereof;
FIG. 3 is a bottom view thereof; and,
FIG. 4 is a right, top perspective view thereof.
The broken lines define the bounds of the claimed design.

1 Claim, 2 Drawing Sheets

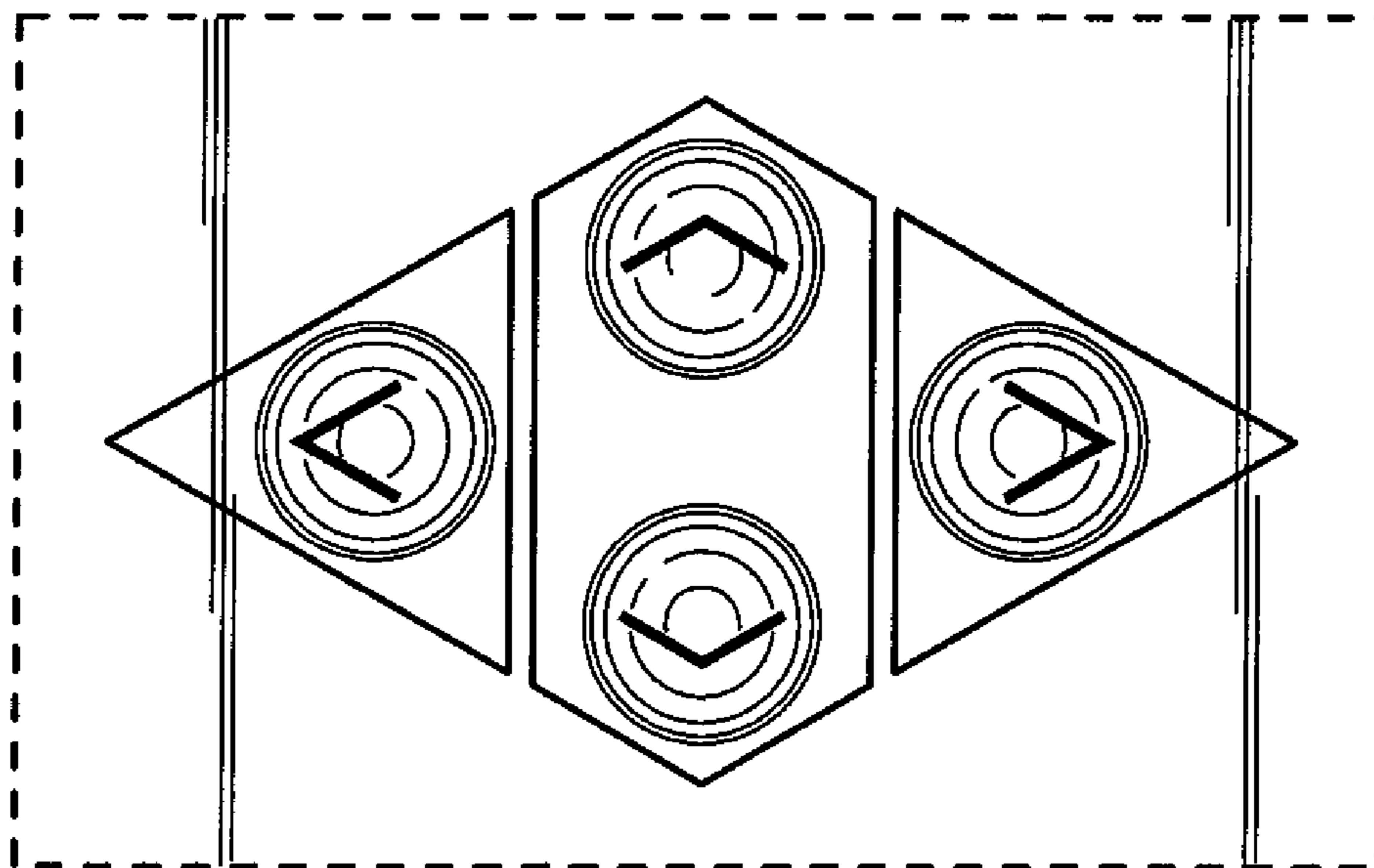


FIG. 1

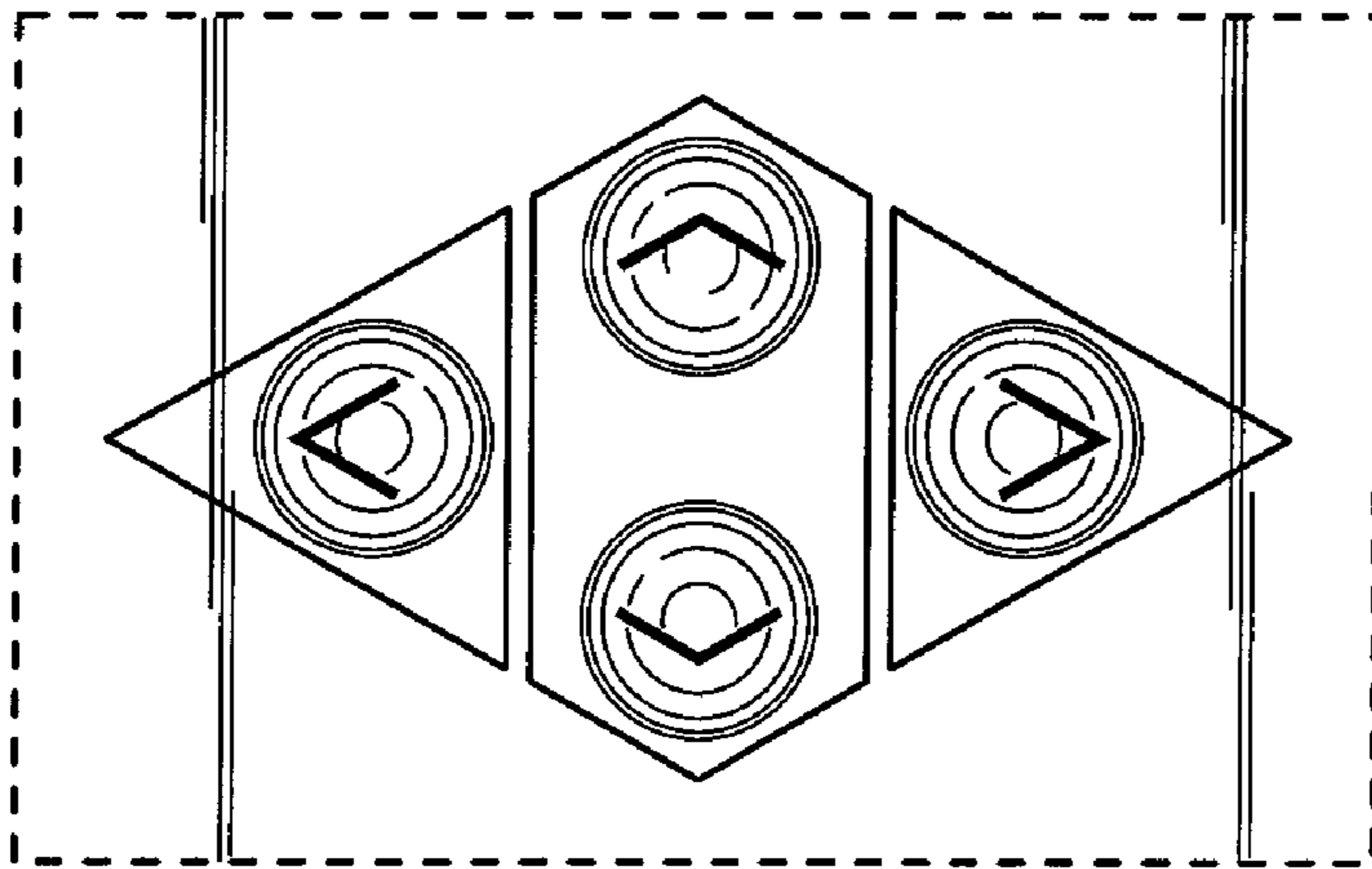


FIG. 2



FIG. 3

FIG. 4

