



US00D584243S

(12) **United States Design Patent**  
**Rinna**

(10) **Patent No.:** **US D584,243 S**

(45) **Date of Patent:** **\*\* Jan. 6, 2009**

(54) **ELECTRIC SWITCH**

(75) Inventor: **Eddy Rinna**, Bowden (AU)

(73) Assignee: **Clipsal Australia Pty Ltd.**, Bowden (AU)

(\*\*) Term: **14 Years**

(21) Appl. No.: **29/294,869**

(22) Filed: **Jan. 29, 2008**

(30) **Foreign Application Priority Data**

Jul. 30, 2007 (AU) ..... 316501

(51) **LOC (9) Cl.** ..... **13-03**

(52) **U.S. Cl.** ..... **D13/169; D13/162**

(58) **Field of Classification Search** ..... D13/162,  
D13/169; 174/66; 200/5 R, 1 B, 433, 525,  
200/553, 315, 329, 335, 332, 339; 338/176;  
315/291-296

See application file for complete search history.

(56) **References Cited**

**U.S. PATENT DOCUMENTS**

D331,741 S \* 12/1992 Fujiyoshi ..... D13/169

D331,742 S \* 12/1992 Fujiyoshi ..... D13/169

D331,743 S \* 12/1992 Fujiyoshi ..... D13/169

D388,398 S \* 12/1997 Jeong ..... D13/174

5,723,817 A \* 3/1998 Arenas et al. .... 174/66

D537,795 S \* 3/2007 Chen ..... D13/162

D570,790 S \* 6/2008 Egea Soler ..... D13/162

\* cited by examiner

*Primary Examiner*—Selina Sikder

(74) *Attorney, Agent, or Firm*—Klauber & Jackson LLC

(57) **CLAIM**

The ornamental design for an electric switch, as shown and described.

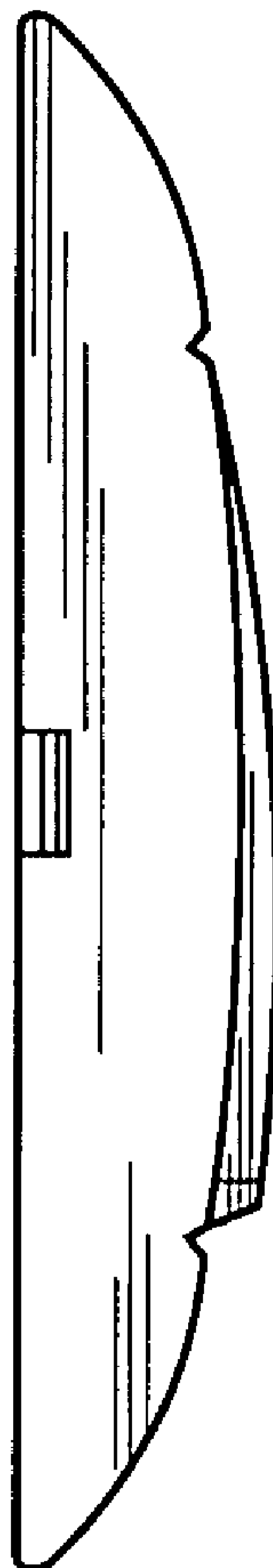
**DESCRIPTION**

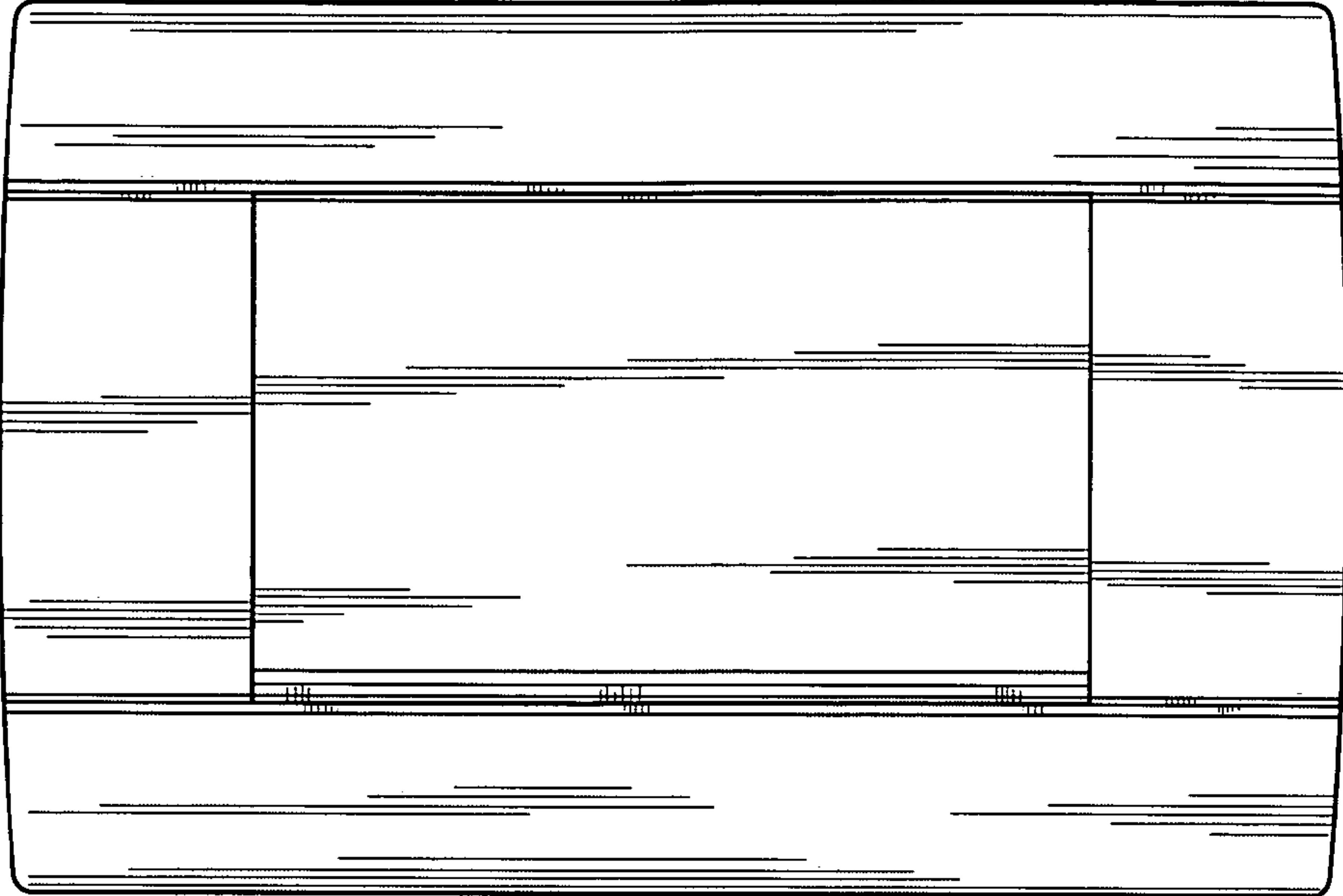
FIG. 1 is a front view of an electric switch of my new design;

FIG. 2 is a right side view thereof, the left side being the mirror image thereof; and,

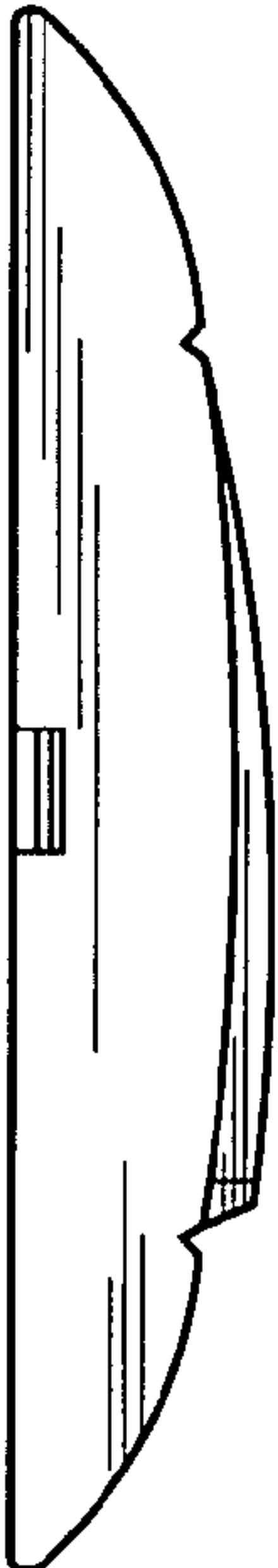
FIG. 3 is a perspective view thereof.

**1 Claim, 1 Drawing Sheet**

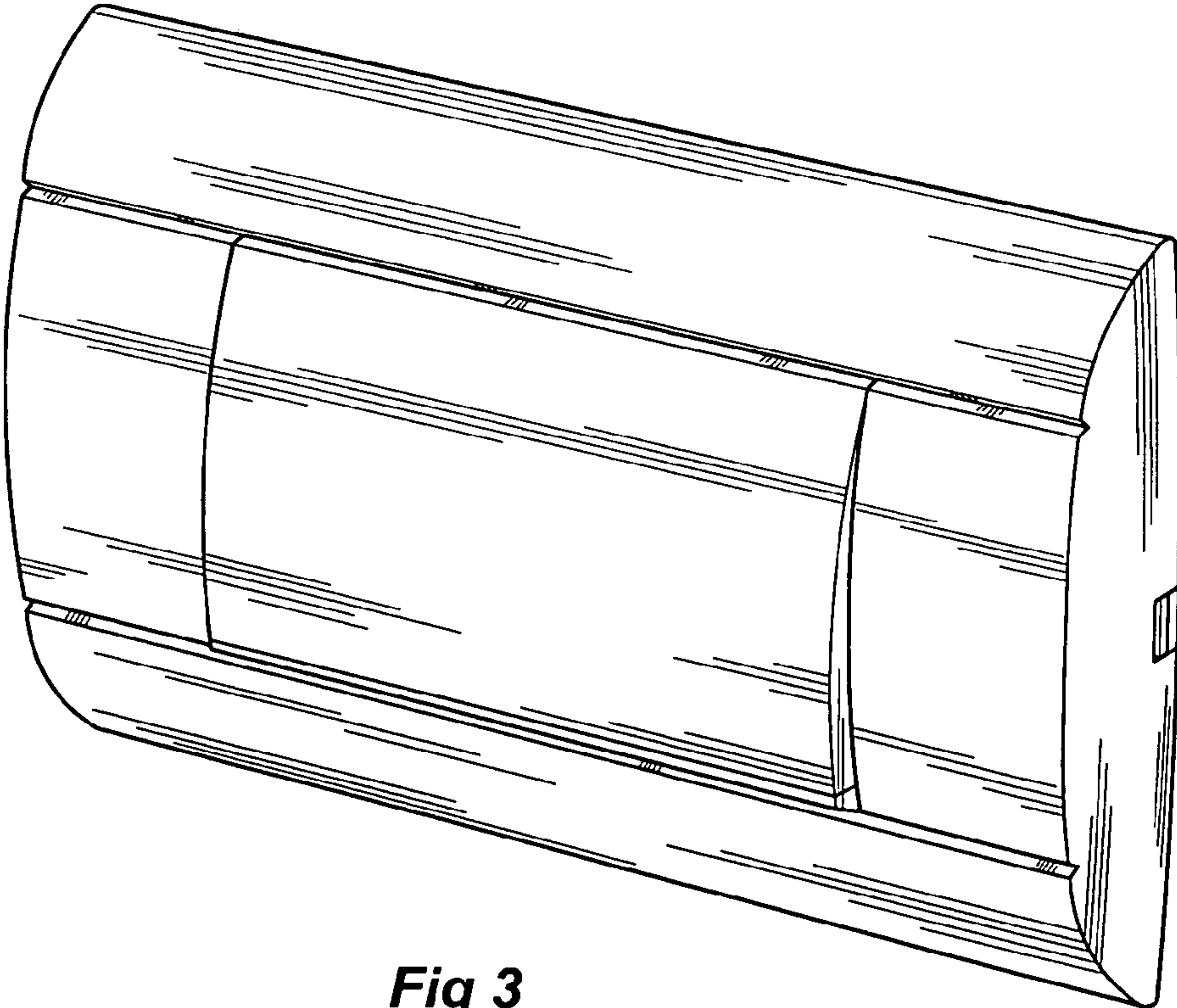




**Fig 1**



**Fig 2**



**Fig 3**