



US00D584242S

(12) **United States Design Patent**
Lacour et al.

(10) **Patent No.:** **US D584,242 S**
(45) **Date of Patent:** **** Jan. 6, 2009**

(54) **REMOTE CONTROL**

D547,275 S * 7/2007 Bonnaud D13/168

(75) Inventors: **Olivier Lacour**, Paris (FR); **Ferline Tiard**, Paris (FR); **Thorsten Buch**, Munich (DE); **Harold Cornier**, Paris (FR); **Gilles Poplin**, Malakoff (FR)

FOREIGN PATENT DOCUMENTS		
EM	000294434-0002	5/2005
EM	000321971-0001	6/2005
EM	000501838-0001	5/2006
EM	000539275-0001	7/2006
EM	000547740-0002	8/2006
EM	000567110-0006	8/2006
EM	000632260-0001	12/2006
EM	000653571-0001	2/2007
EM	000653571-0002	2/2007

(73) Assignee: **NDS Technologies France**, Issy-les-Moulineaux (FR)

(**) Term: **14 Years**

(21) Appl. No.: **29/294,929**

* cited by examiner

(22) Filed: **Jan. 31, 2008**

Primary Examiner—Selina Sikder

(30) **Foreign Application Priority Data**

(74) *Attorney, Agent, or Firm*—Husch Blackwell Sanders LLP

Sep. 5, 2007 (EM) 000787122-0002

(57) **CLAIM**

(51) **LOC (9) Cl.** **13-03**

The ornamental design for a remote control, as shown and described.

(52) **U.S. Cl.** **D13/168**

(58) **Field of Classification Search** D13/168;
D10/104, 106; D14/218, 247; 340/825.22,
340/825.24, 825.25, 825.31, 825.36, 825.69,
340/825.72; 341/20, 22, 23, 34, 176; 345/156,
345/158, 169; 348/734; 455/92, 95, 100,
455/128, 151.1–151.4, 352–355; 463/39;
700/17, 19, 20, 65, 83

DESCRIPTION

See application file for complete search history.

FIG. 1 is a perspective view of the front, right side and bottom of the remote control design;

FIG. 2 is a perspective view of the rear, left side and bottom thereof;

FIG. 3 is a front elevational view thereof;

FIG. 4 is a rear elevational view thereof;

FIG. 5 is a left side elevational view thereof;

FIG. 6 is a right side elevational view thereof; and,

FIG. 7 is a top view thereof.

The broken lines define portions of the remote control that form no part of the claimed design.

(56) **References Cited**

U.S. PATENT DOCUMENTS

D313,973 S *	1/1991	Walker	D13/168
D343,387 S *	1/1994	Keene	D13/168
D348,435 S *	7/1994	Farinelli et al.	D13/168
D382,271 S *	8/1997	Akwivu	D14/218
D406,542 S *	3/1999	Mik	D10/104
D423,509 S *	4/2000	Park	D14/218
D546,295 S *	7/2007	Marchetto et al.	D13/168

1 Claim, 3 Drawing Sheets

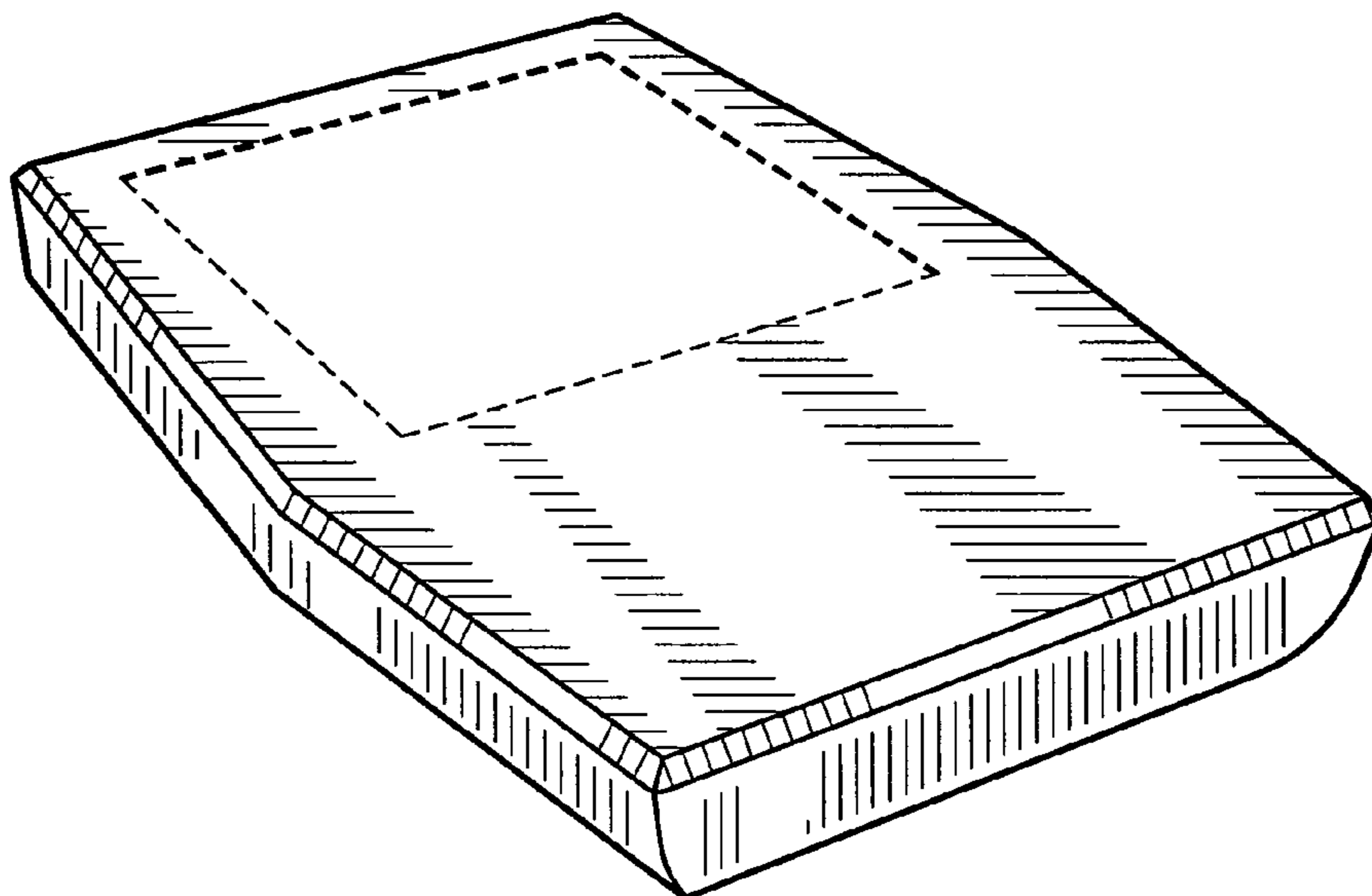


FIG. 1

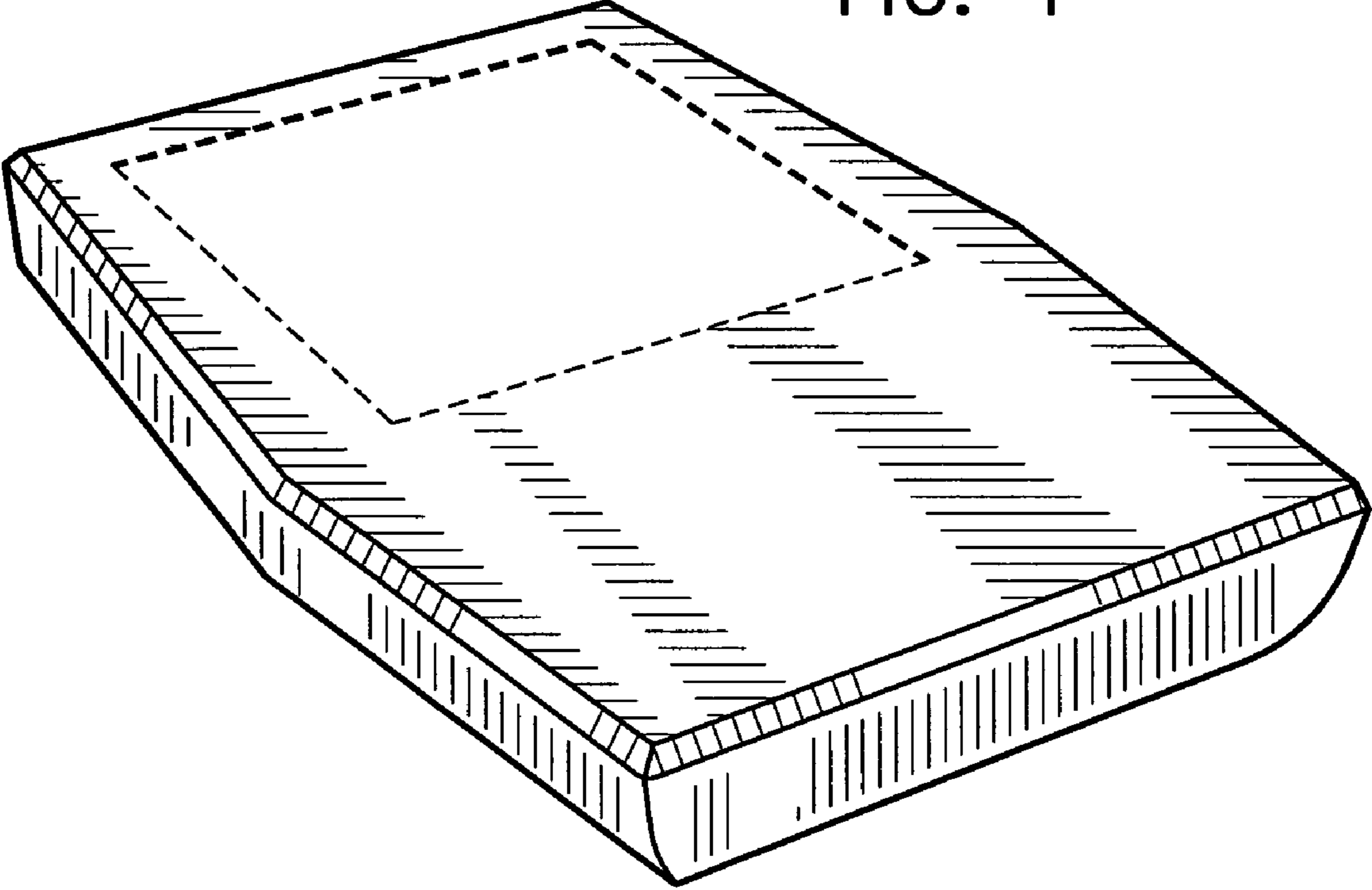


FIG. 2

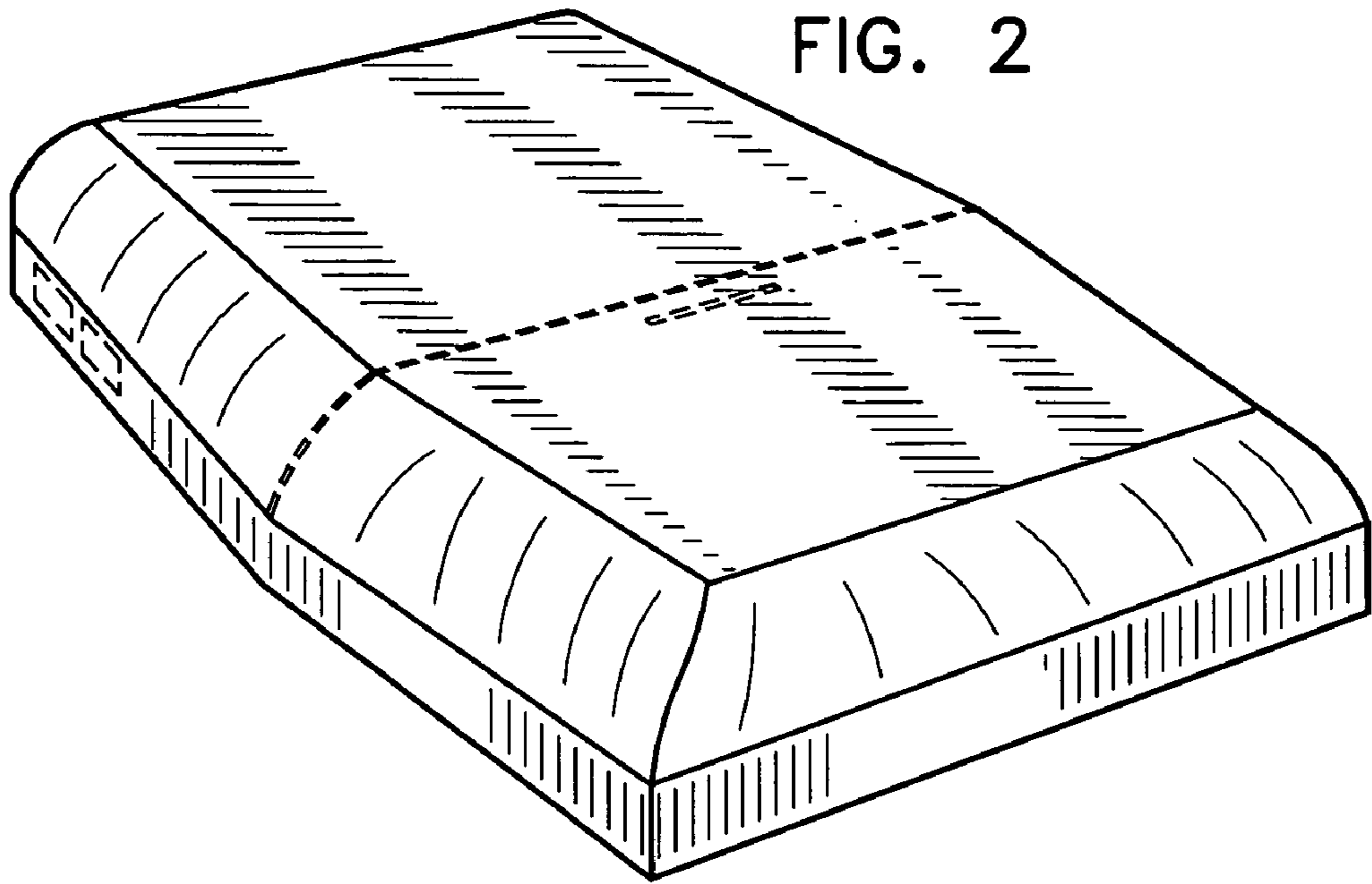


FIG. 3

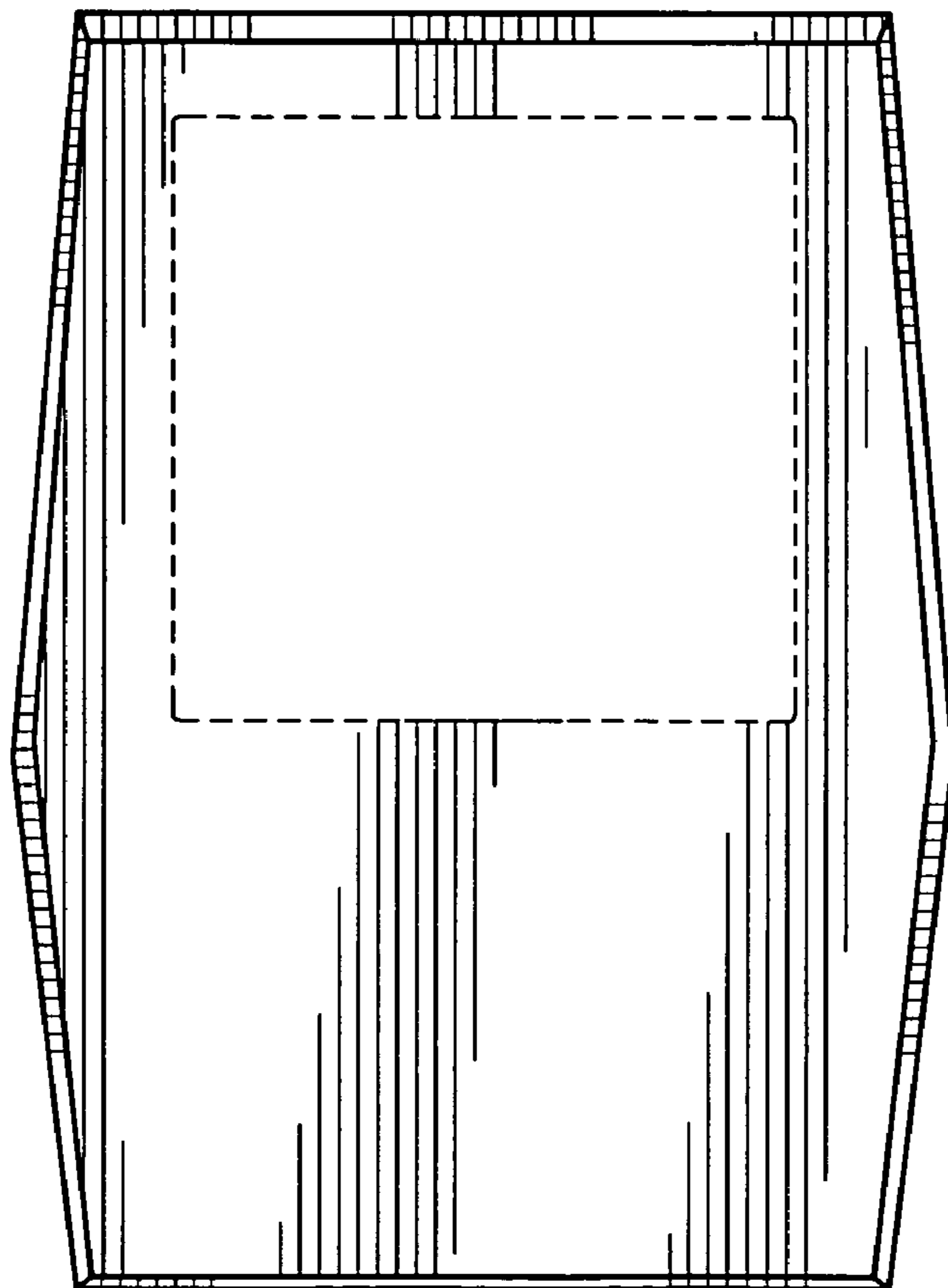


FIG. 4

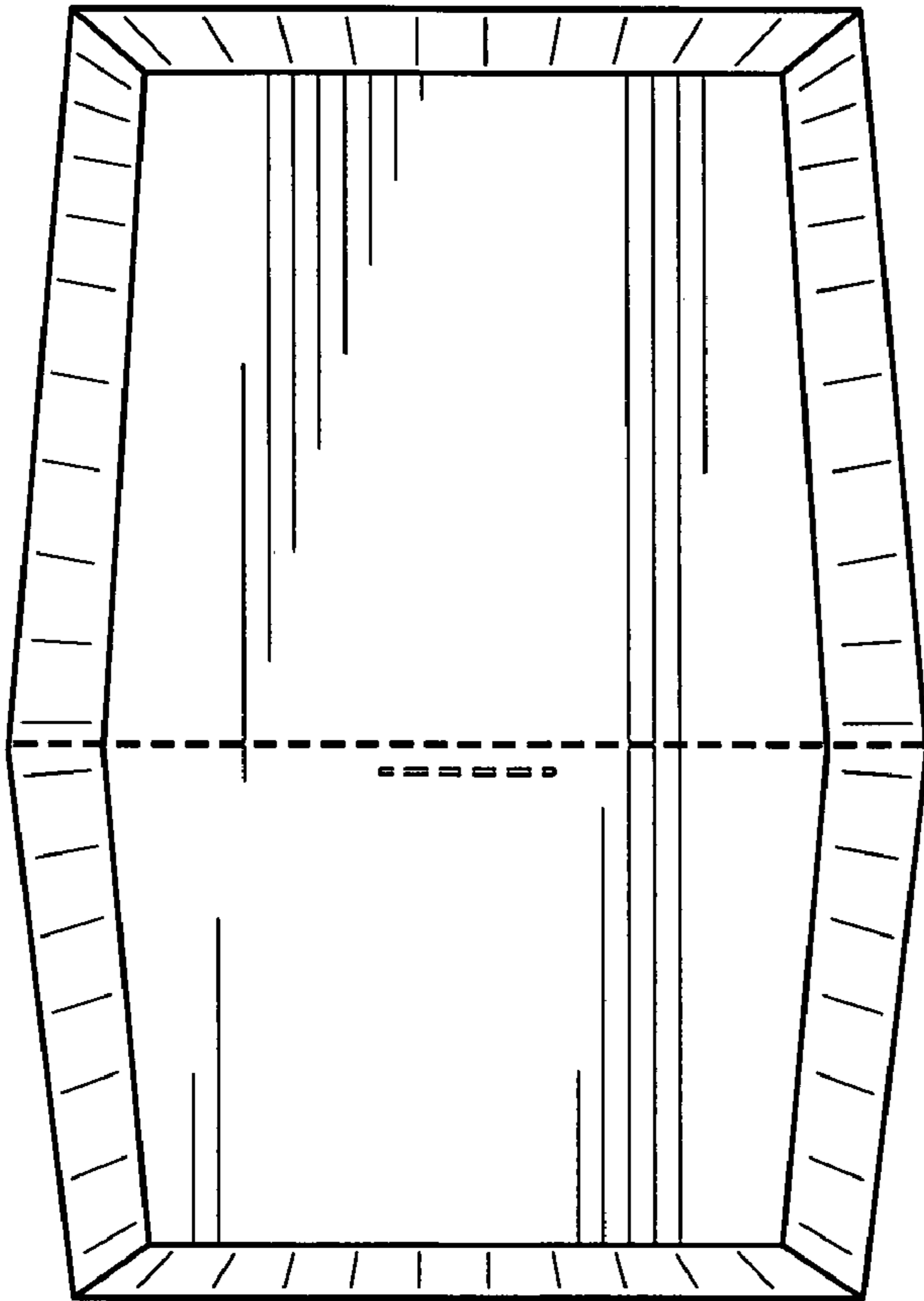


FIG. 5



FIG. 6

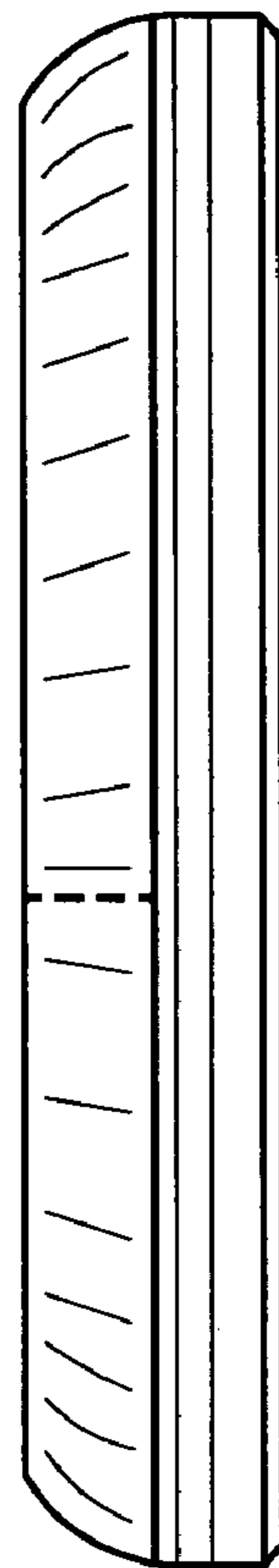


FIG. 7

