



US00D584240S

(12) **United States Design Patent**  
**Skaf et al.**

(10) **Patent No.:** **US D584,240 S**  
(45) **Date of Patent:** **\*\* Jan. 6, 2009**

(54) **KEYPAD**

(75) Inventors: **Rashid Skaf**, Plano, TX (US); **Lorelei Curtiss Cannon**, Plano, TX (US); **Arthur Chao Chung Wu**, Plano, TX (US); **Jomichael Porter**, Addison, TX (US)

(73) Assignee: **AMX LLC**, Richardson, TX (US)

(\*\*) Term: **14 Years**

(21) Appl. No.: **29/284,323**

(22) Filed: **Sep. 5, 2007**

(51) **LOC (9) Cl.** ..... **13-03**

(52) **U.S. Cl.** ..... **D13/164**

(58) **Field of Classification Search** ..... D13/162,  
D13/164, 170, 174, 171, 178, 161; 174/48,  
174/52.1, 66, 67; 200/42.01, 237, 293, 308;  
307/112, 157; 315/291, 295; 340/540; 713/162,  
713/164, 170, 171, 174, 177; D8/350, 351,  
D8/352, 353

See application file for complete search history.

(56) **References Cited**

**U.S. PATENT DOCUMENTS**

D407,692 S \* 4/1999 Lin ..... D13/161  
D436,930 S \* 1/2001 Butler ..... D13/162  
D465,460 S \* 11/2002 Mayo et al. .... D13/164  
D465,770 S \* 11/2002 Bennett et al. .... D13/164  
D466,090 S \* 11/2002 Bennett et al. .... D13/164  
D487,429 S \* 3/2004 Bennett et al. .... D13/164

D490,061 S \* 5/2004 Bennett et al. .... D13/169  
D553,113 S \* 10/2007 Cha et al. .... D14/138  
D558,686 S \* 1/2008 Bhate et al. .... D13/162  
D559,198 S \* 1/2008 Blair et al. .... D13/162  
D568,827 S \* 5/2008 Ikeda et al. .... D13/168

**OTHER PUBLICATIONS**

[http://www.lutron.com/homeworks/pop\\_key\\_seetouch.html](http://www.lutron.com/homeworks/pop_key_seetouch.html)  
webpage copyright 2008.\*

\* cited by examiner

*Primary Examiner*—Daniel D Bui

*Assistant Examiner*—Thomas J Johannes

(74) *Attorney, Agent, or Firm*—Gardere Wynne Sewell LLP

(57) **CLAIM**

The ornamental design for a keypad, as shown and described.

**DESCRIPTION**

FIG. 1 is a top view of a keypad showing our new design;

FIG. 2 is a front view thereof;

FIG. 3 is a side view thereof, the opposite side being a mirror image thereto;

FIG. 4 is a first top, front, side perspective view thereof;

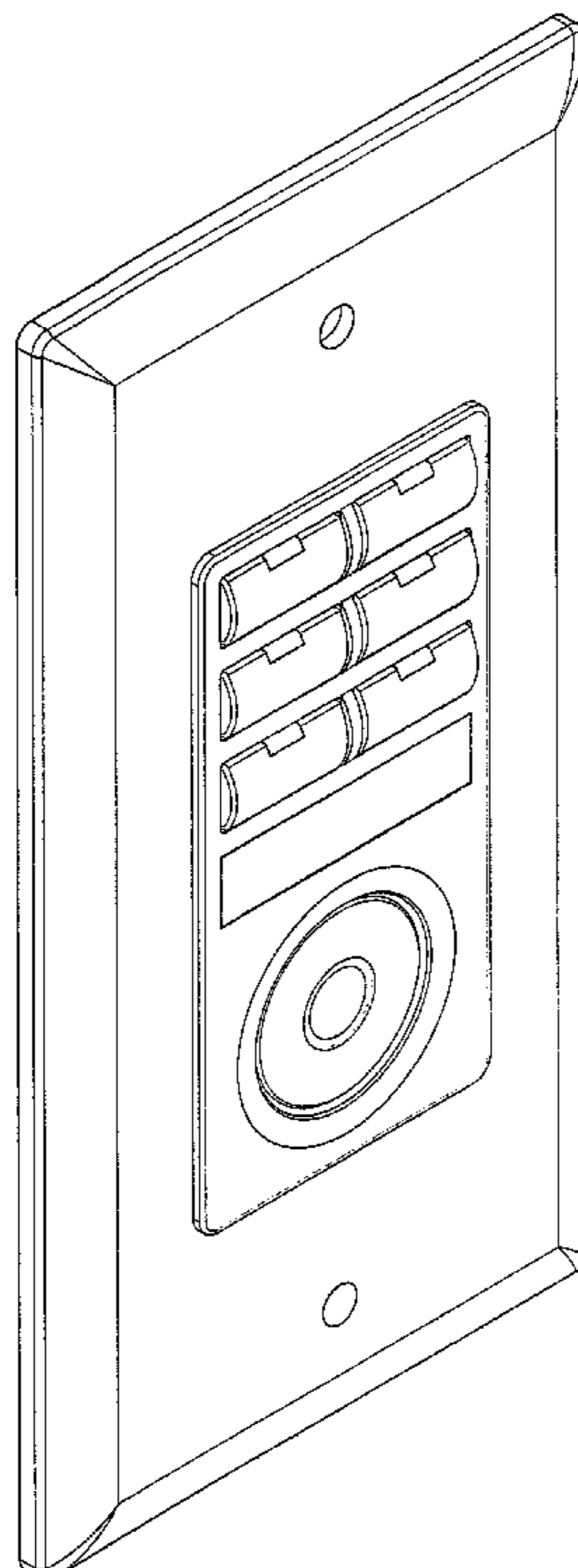
FIG. 5 is a second top, front, side perspective view thereof;

FIG. 6 is a first top, rear, side perspective view thereof; and,

FIG. 7 is a second top, rear, side perspective view thereof.

The broken line portion of the figure drawings is included to show the unclaimed internal circuitry subject matter only and forms no part of the claimed design.

**1 Claim, 6 Drawing Sheets**



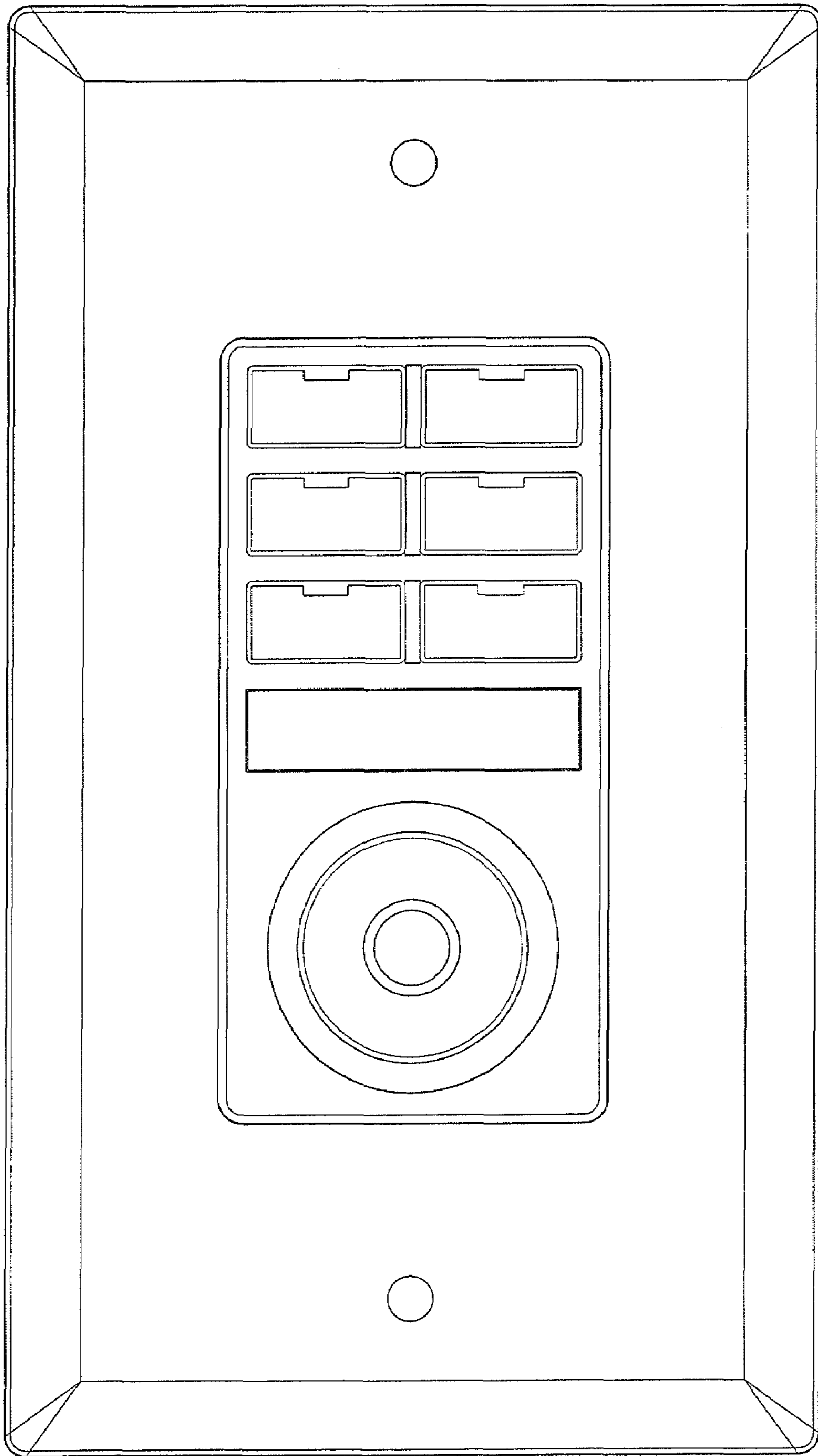


FIG. 1

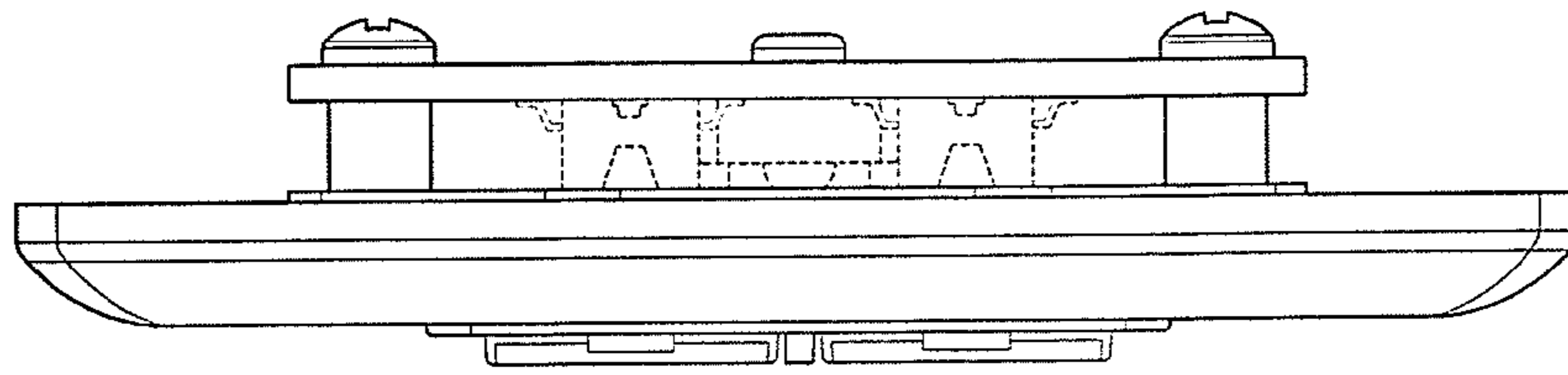


FIG. 2

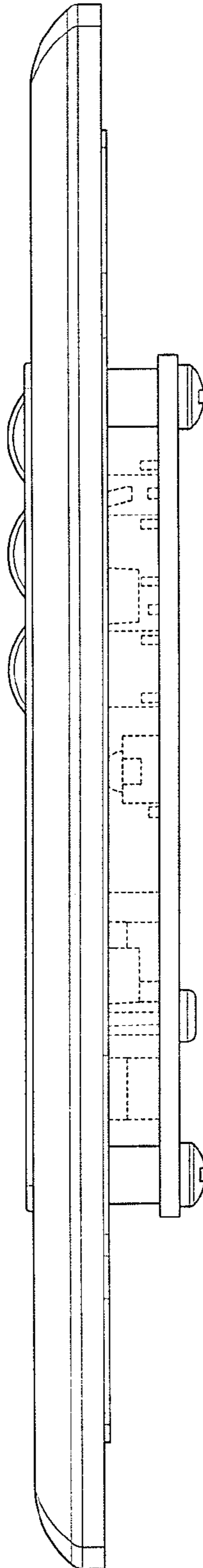


FIG. 3

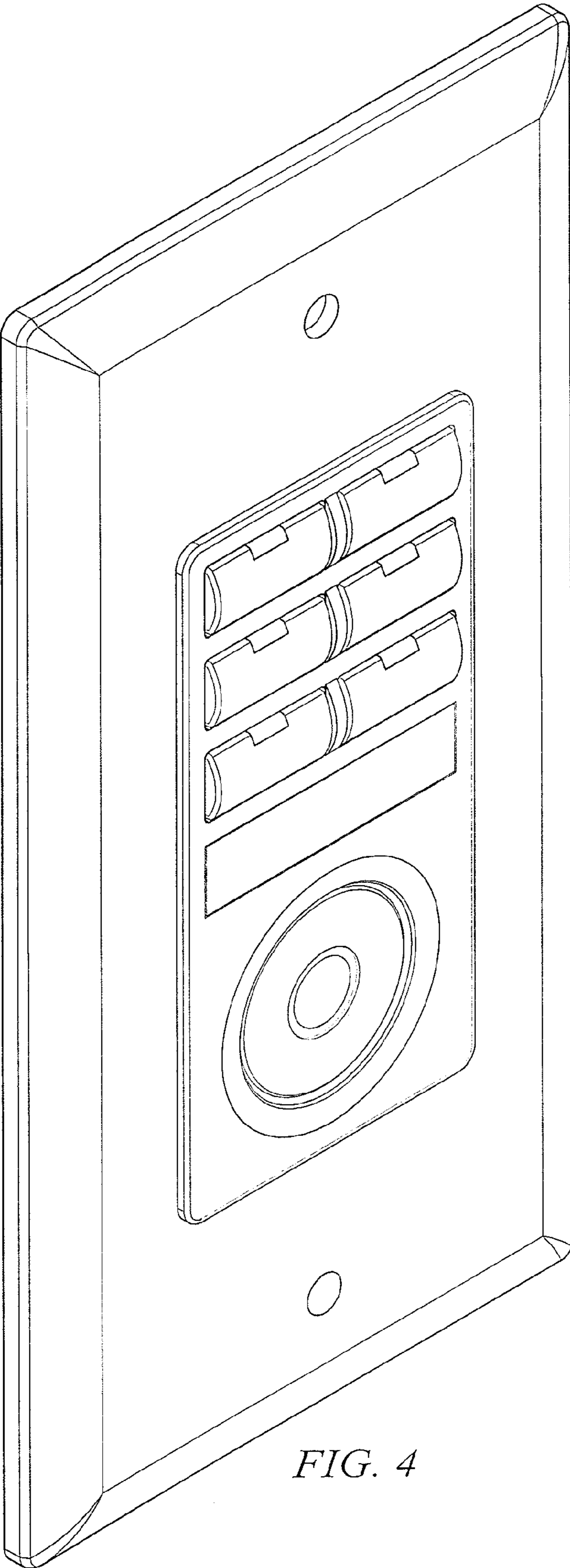


FIG. 4

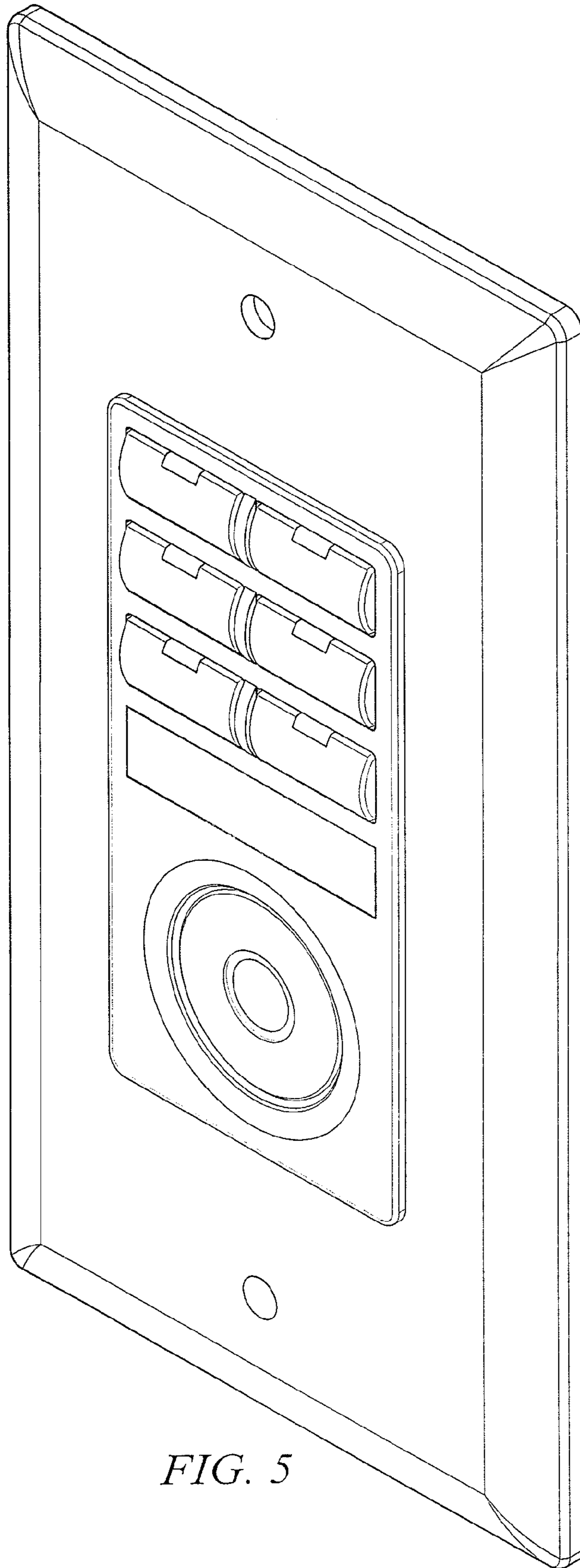


FIG. 5

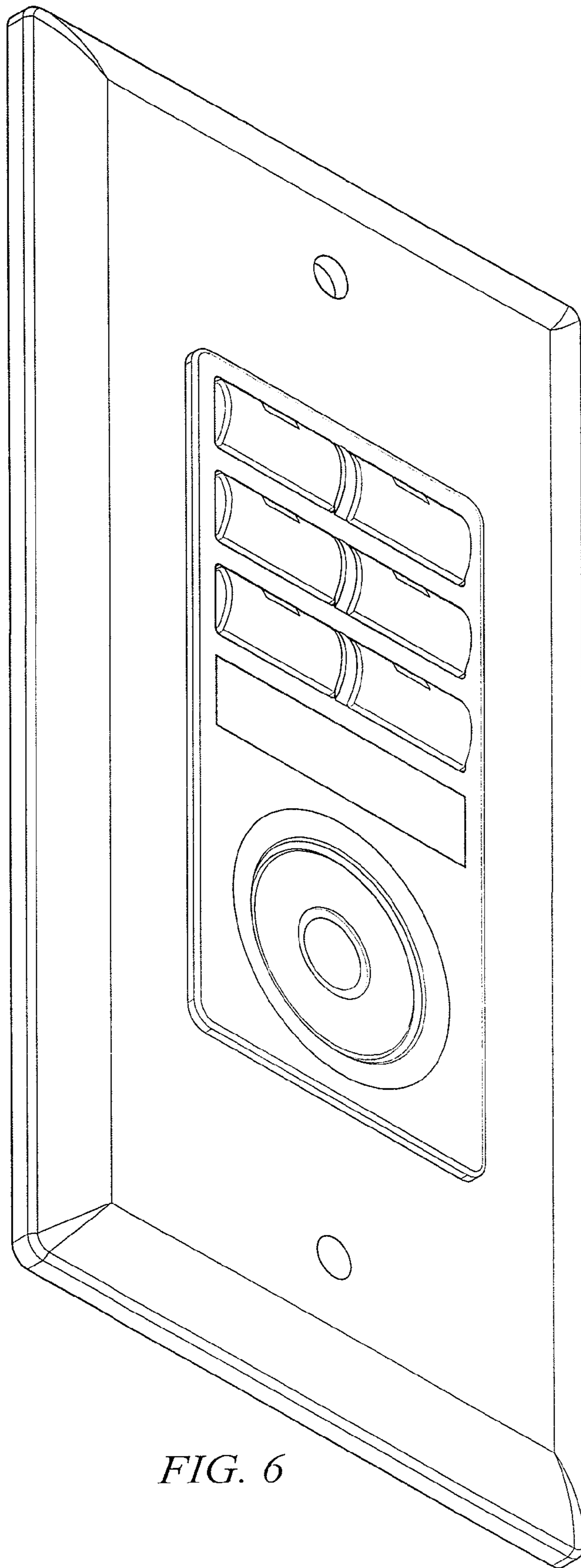


FIG. 6

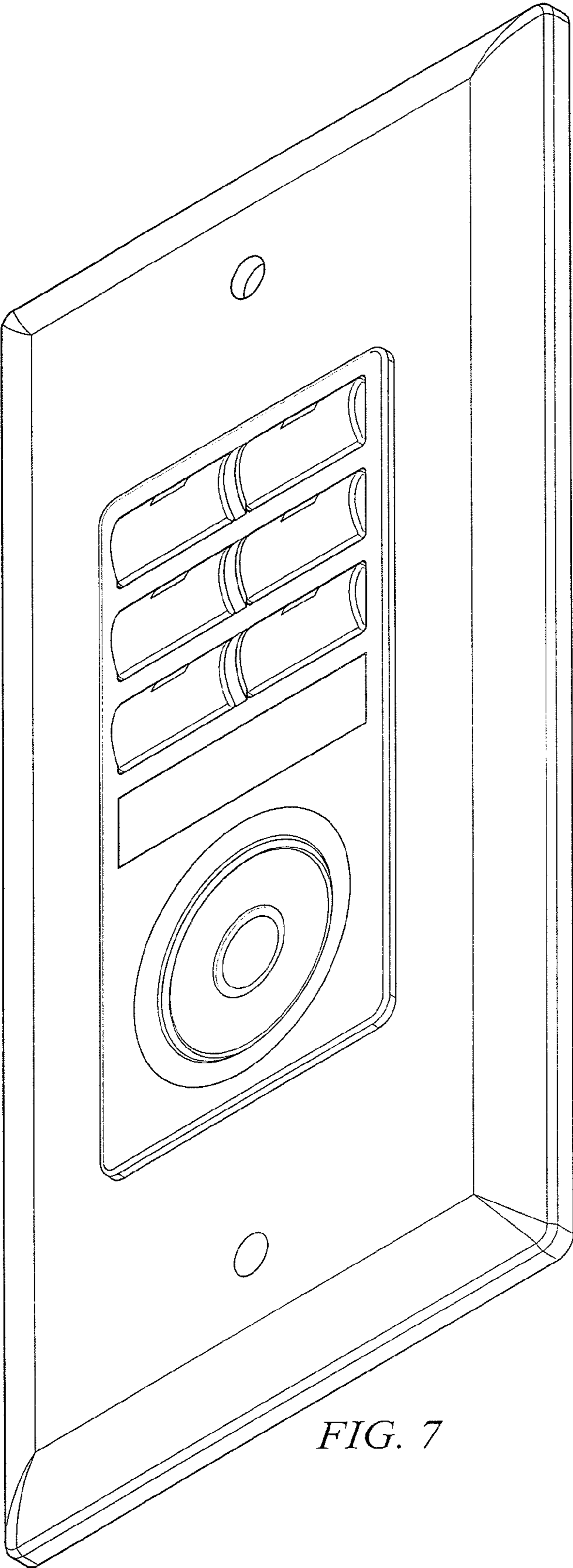


FIG. 7