



US00D584239S

(12) **United States Design Patent**  
**Bold**

(10) **Patent No.:** **US D584,239 S**  
(45) **Date of Patent:** **\*\* Jan. 6, 2009**

(54) **BLADE FUSE ELEMENT**

FOREIGN PATENT DOCUMENTS

(75) Inventor: **Gary M. Bold**, Palatine, IL (US)

CH 656979 7/1986

(73) Assignee: **Littelfuse, Inc.**, Des Plaines, IL (US)

(Continued)

(\*\*) Term: **14 Years**

OTHER PUBLICATIONS

(21) Appl. No.: **29/321,736**

An International Search Report for International Patent Application No. PCT/US05/07484.

(22) Filed: **Jul. 22, 2008**

*Primary Examiner*—Daniel D Bui

*Assistant Examiner*—Thomas J Johannes

(74) *Attorney, Agent, or Firm*—Bell, Boyd & Lloyd LLP

**Related U.S. Application Data**

(62) Division of application No. 29/302,292, filed on Jan. 14, 2008, now Pat. No. Des. 575,746.

(57) **CLAIM**

(51) **LOC (9) Cl.** ..... **13-03**

The ornamental design for a blade fuse element, as shown and described.

(52) **U.S. Cl.** ..... **D13/161; D13/173**

(58) **Field of Classification Search** ..... D13/158–184;  
439/687; 337/163, 198, 206, 230, 264, 265  
See application file for complete search history.

**DESCRIPTION**

(56) **References Cited**

FIG. 1 is a perspective view of a blade fuse element showing my new design;

**U.S. PATENT DOCUMENTS**

FIG. 2 is a front view thereof;

1,491,905	A	4/1924	Eustice
2,308,435	A	1/1943	Wood
2,863,967	A	12/1958	Swain
3,189,712	A	6/1965	Kozacka
3,261,950	A	7/1966	Kozacka
3,301,978	A	1/1967	Kozacka
3,529,271	A	9/1970	Swain
3,629,036	A	12/1971	Isaacson

FIG. 3 is a rear view thereof;

FIG. 4 is a side view thereof;

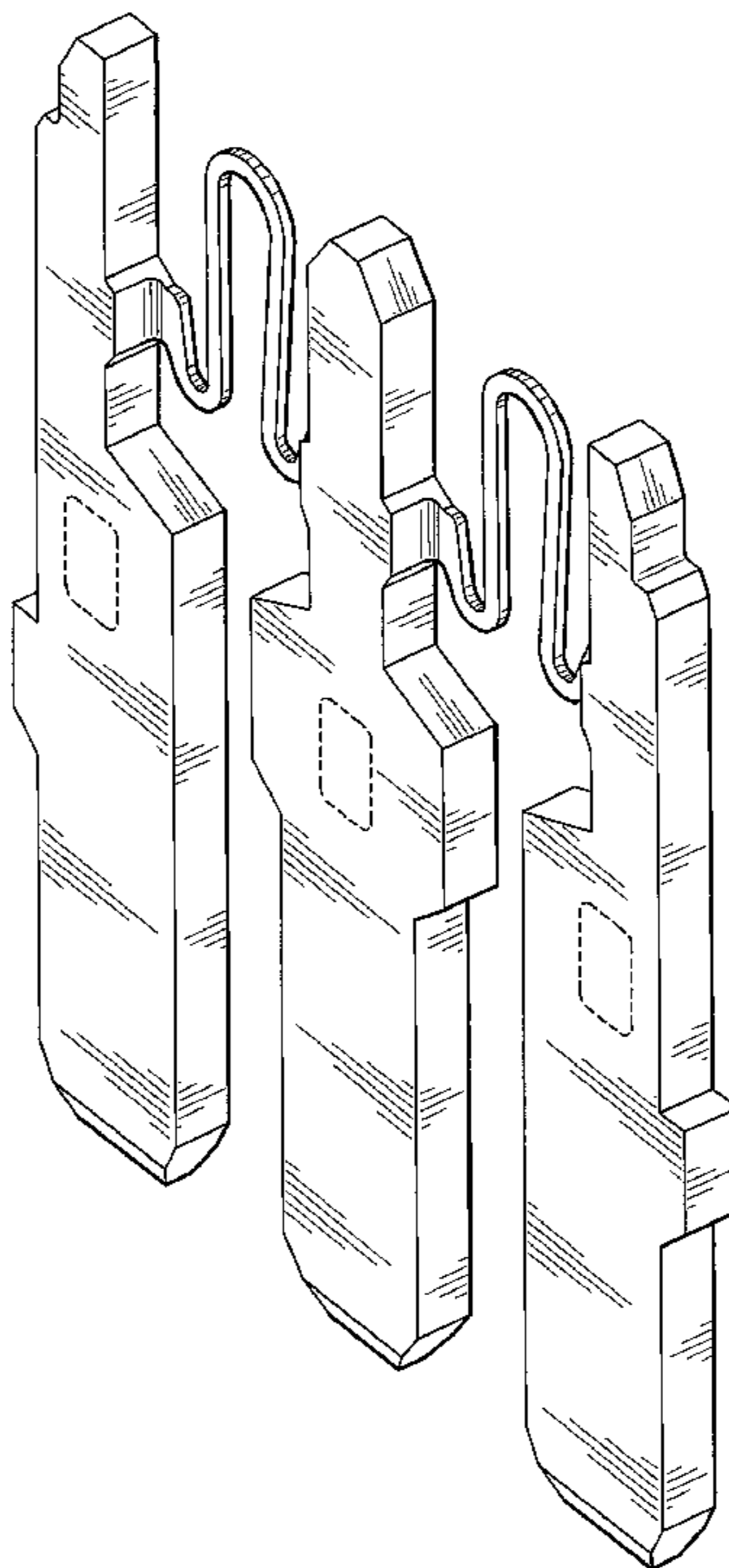
FIG. 5 is a top view thereof; and,

FIG. 6 is bottom view thereof.

The broken line portion of the figure drawings is included to show unclaimed subject matter only and forms no part of the claimed design.

(Continued)

**1 Claim, 3 Drawing Sheets**





# US D584,239 S

Page 3

---

6,753,753	B2	6/2004	Endo et al.	GB	2090081	6/1982
6,771,477	B2	8/2004	Milanczak	JP	54-133203	10/1979
6,848,946	B2	2/2005	Vicenza et al.	JP	56-2560	1/1981
D558,150	S *	12/2007	Yang ..... D13/161	JP	56-2561	1/1981
D560,172	S *	1/2008	Ohta et al. .... D13/161	JP	56-51239	5/1981
2001/0026209	A1	10/2001	Kond et al.	JP	56-90354	7/1981
2005/0212647	A1*	9/2005	Goldsberry et al. .... 337/198	JP	56-92862	7/1981
				JP	57-204647	12/1982
				JP	58-154549	9/1983
				JP	2000-260290	9/2000
				JP	2000-260294	9/2000
FOREIGN PATENT DOCUMENTS						
DE	2500364	7/1975				
DE	3040884	5/1982				
DE	10358444	7/2005				

\* cited by examiner

FIG. 1

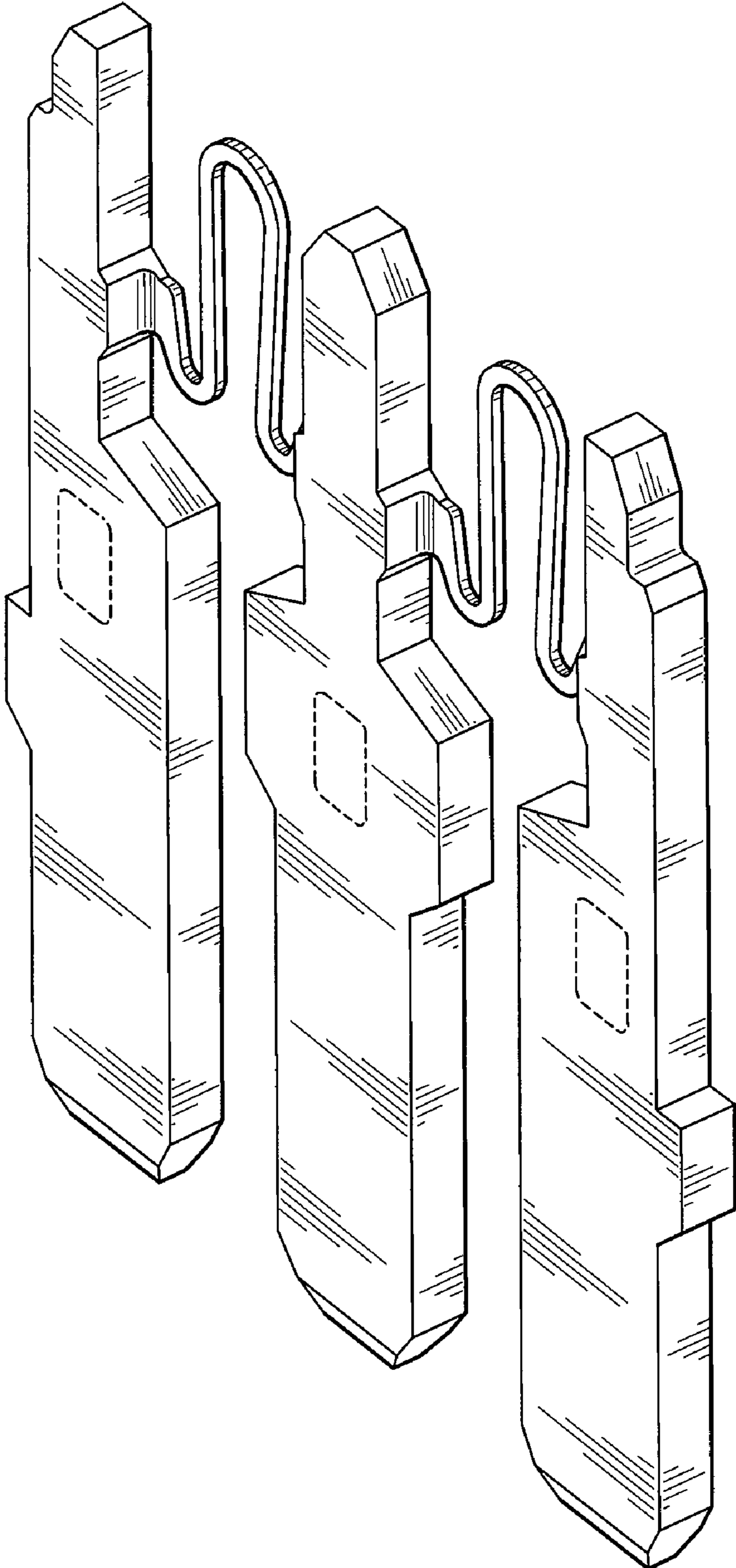


FIG. 3

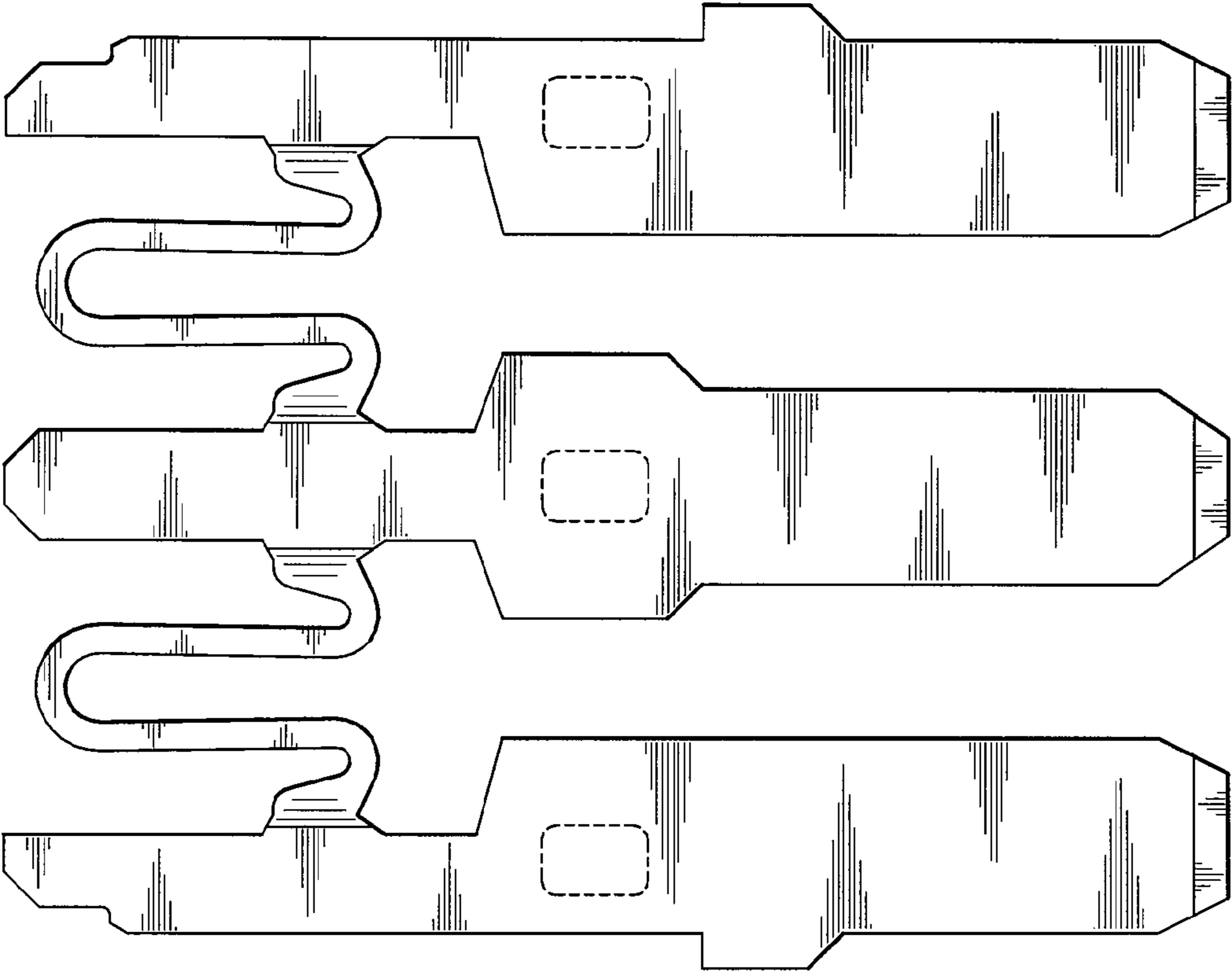


FIG. 2

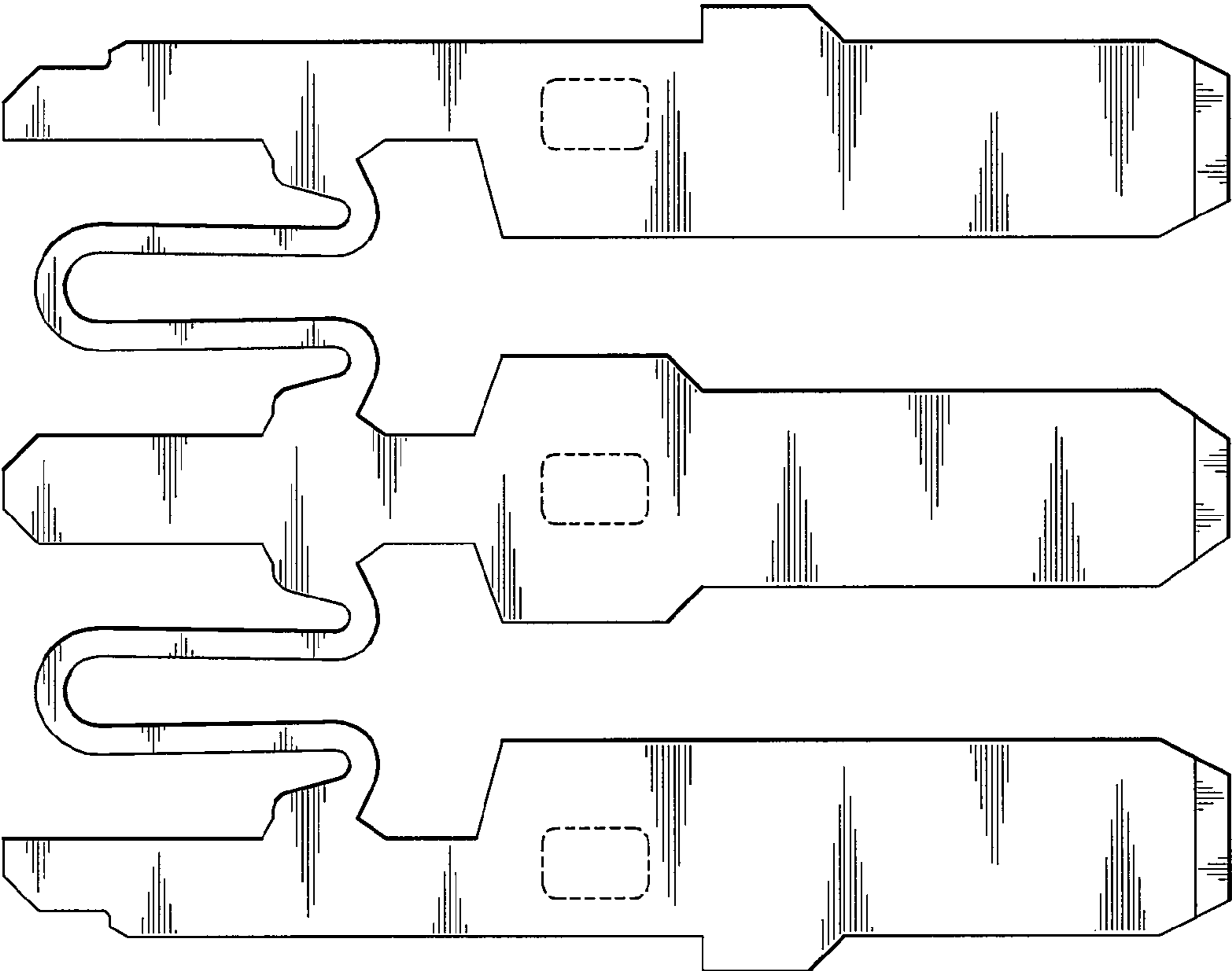


FIG. 4



FIG. 5

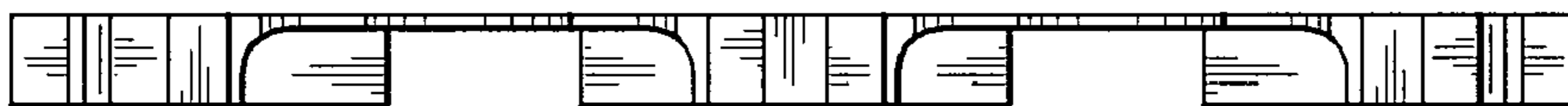


FIG. 6

