



US00D584237S

(12) **United States Design Patent**
Zhu

(10) **Patent No.:** **US D584,237 S**
(45) **Date of Patent:** **** Jan. 6, 2009**

(54) **ELECTRICAL CONNECTOR**

D519,080 S * 4/2006 Shimizu et al. D13/147
7,037,117 B2 * 5/2006 Goto 439/74
D528,985 S * 9/2006 Peng D13/147

(75) Inventor: **Yu Zhu**, ShenZhen (CN)

* cited by examiner

(73) Assignee: **Hon Hai Precision Ind. Co., Ltd.**,
Taipei Hsien (TW)

Primary Examiner—Daniel D Bui

(**) Term: **14 Years**

(74) *Attorney, Agent, or Firm*—Wei Te Chung

(21) Appl. No.: **29/308,204**

(57) **CLAIM**

(22) Filed: **Jun. 2, 2008**

The ornamental design for an electrical connector, as shown and described.

(30) **Foreign Application Priority Data**

DESCRIPTION

Dec. 3, 2007 (CN) 2007 3 0198625

(51) **LOC (9) Cl.** **13-03**

FIG. 1 is a front, top and right side perspective view of an electrical connector showing my new design;

(52) **U.S. Cl.** **D13/154; D13/147**

FIG. 2 is a front elevational view thereof;

(58) **Field of Classification Search** D13/120,
D13/147, 154, 184; D14/432, 433, 436,
D14/438; 361/684–685; 439/64, 79, 159–160,
439/330–331, 341–342, 607–610, 629–630,
439/660, 946

FIG. 3 is a rear elevational view thereof;

FIG. 4 is a left side elevational view thereof;

See application file for complete search history.

FIG. 5 is a right side elevational view thereof;

FIG. 6 is a top plan view thereof; and,

FIG. 7 is a bottom plan view thereof.

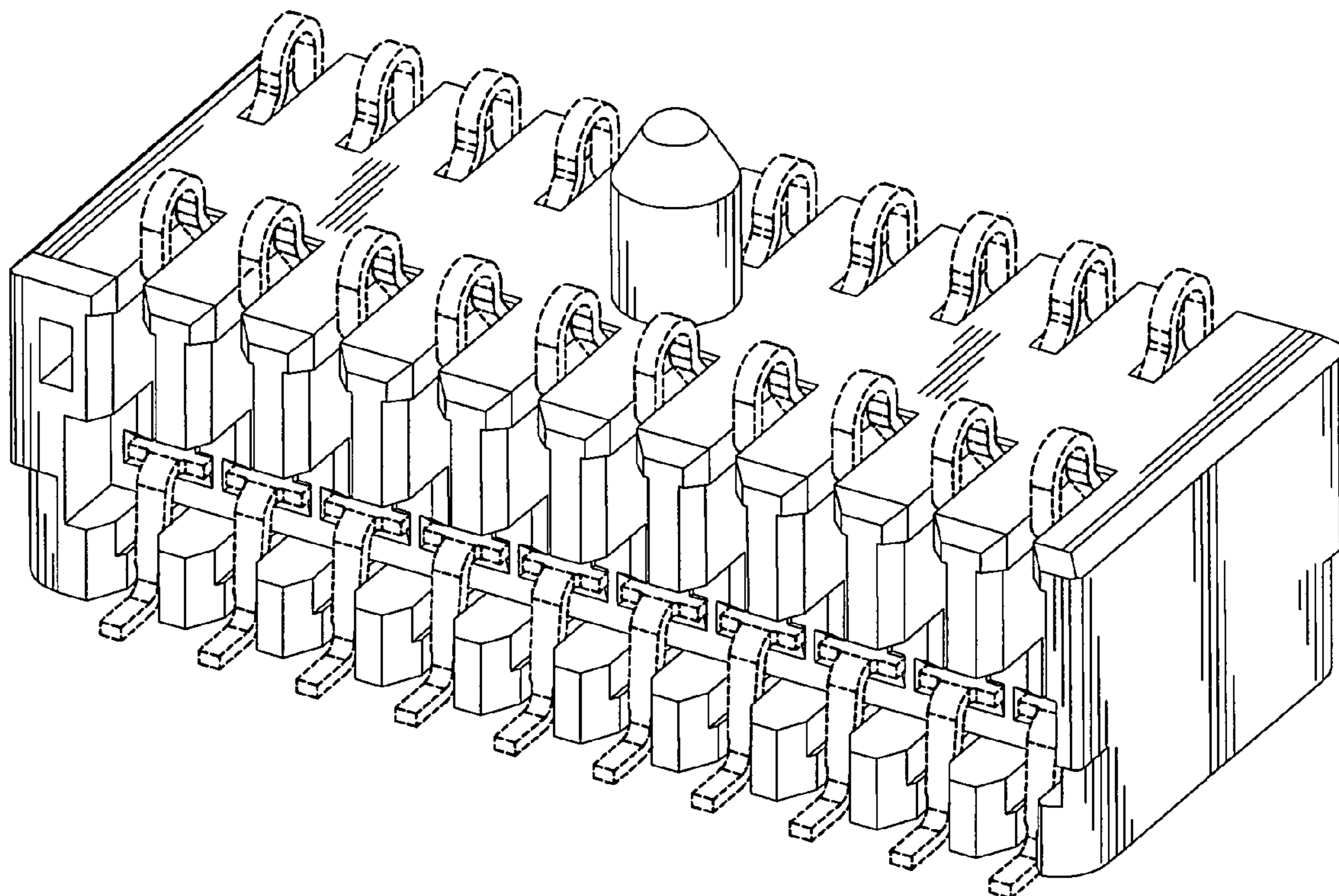
(56) **References Cited**

The broken line portion in the figure drawings is included to show unclaimed subject matter only and forms no part of the claimed design.

U.S. PATENT DOCUMENTS

D452,678 S * 1/2002 Hiramoto et al. D13/147
D512,380 S * 12/2005 Shimizu et al. D13/147

1 Claim, 7 Drawing Sheets



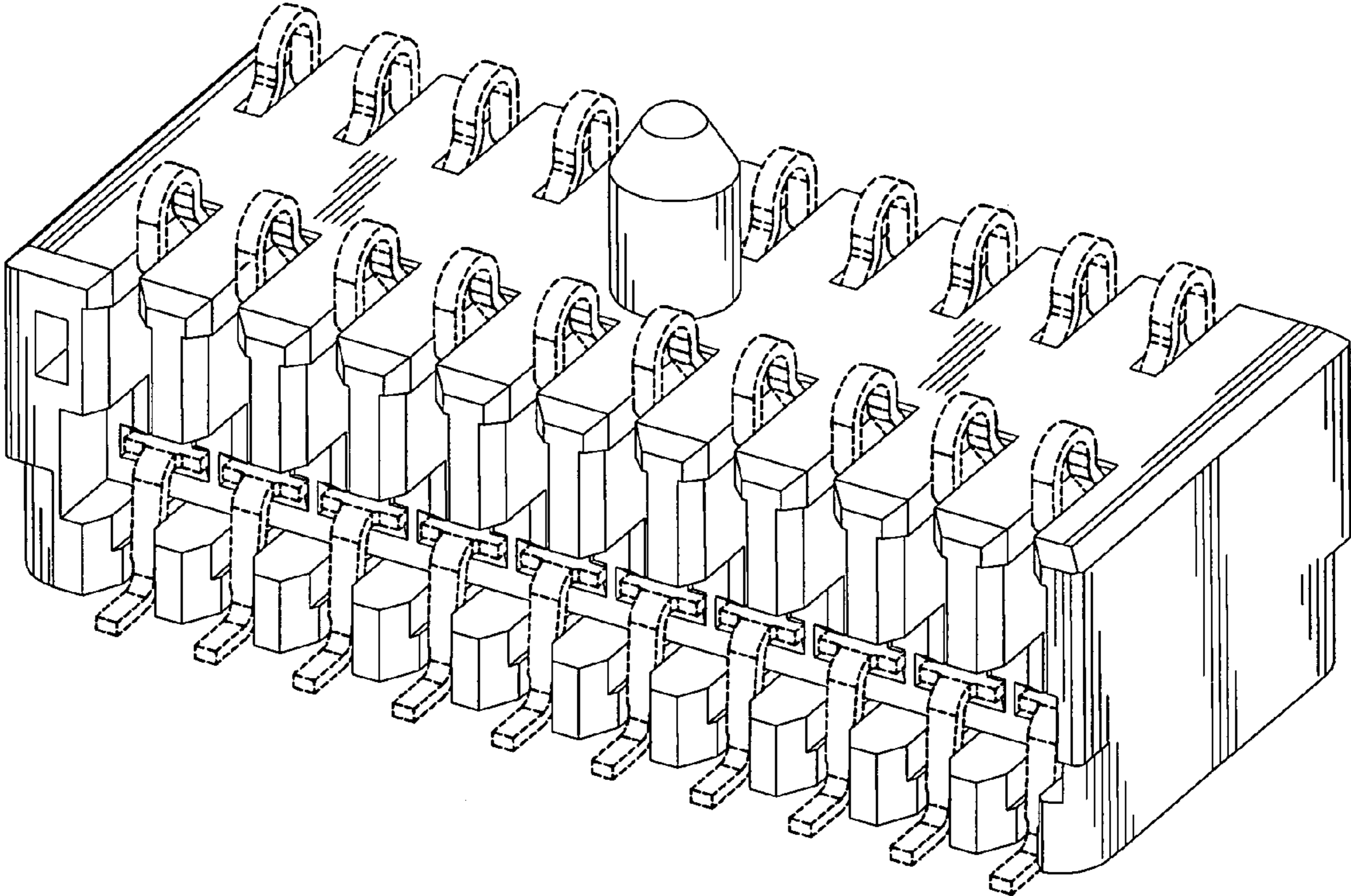


FIG. 1

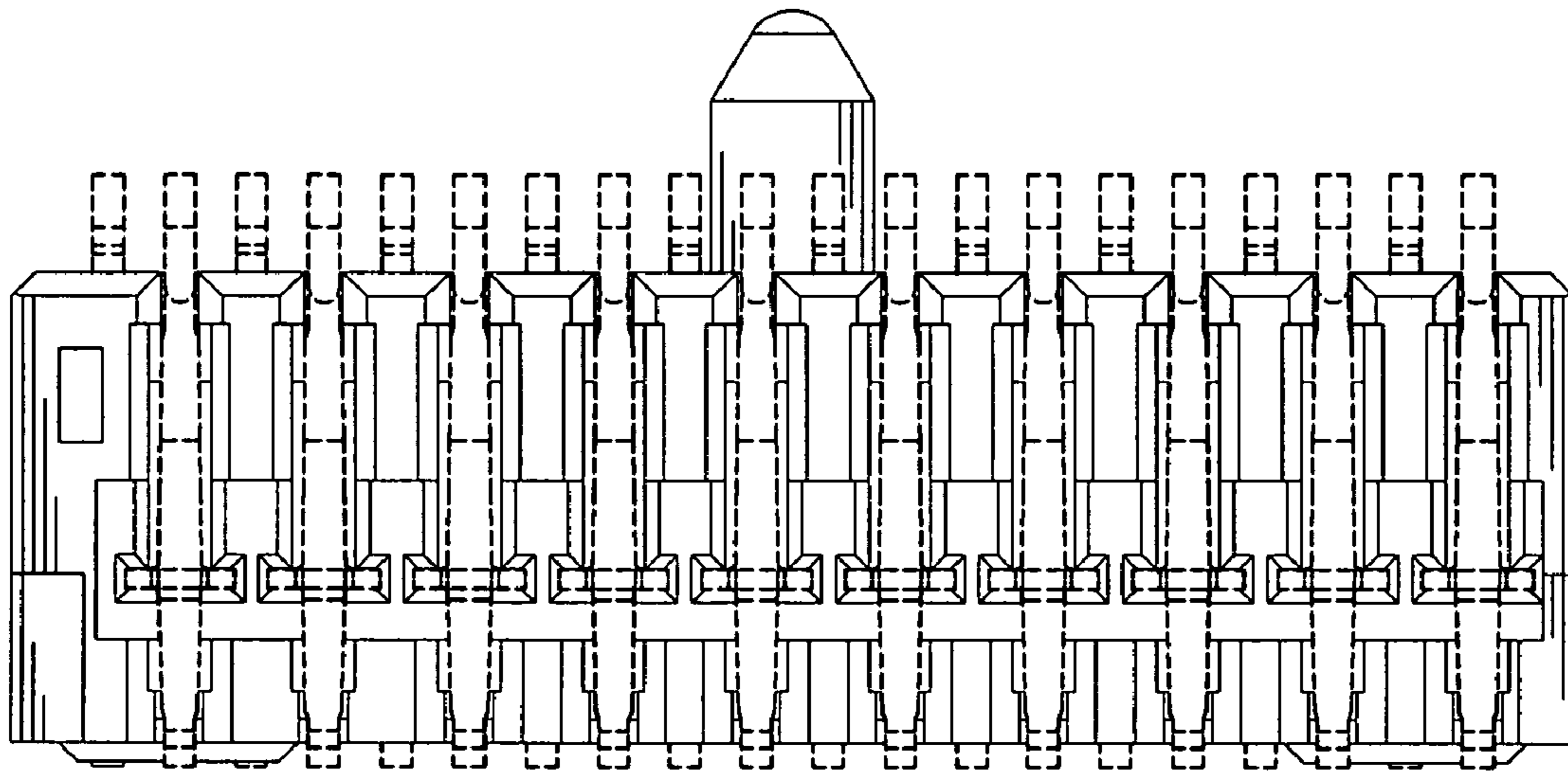


FIG. 2

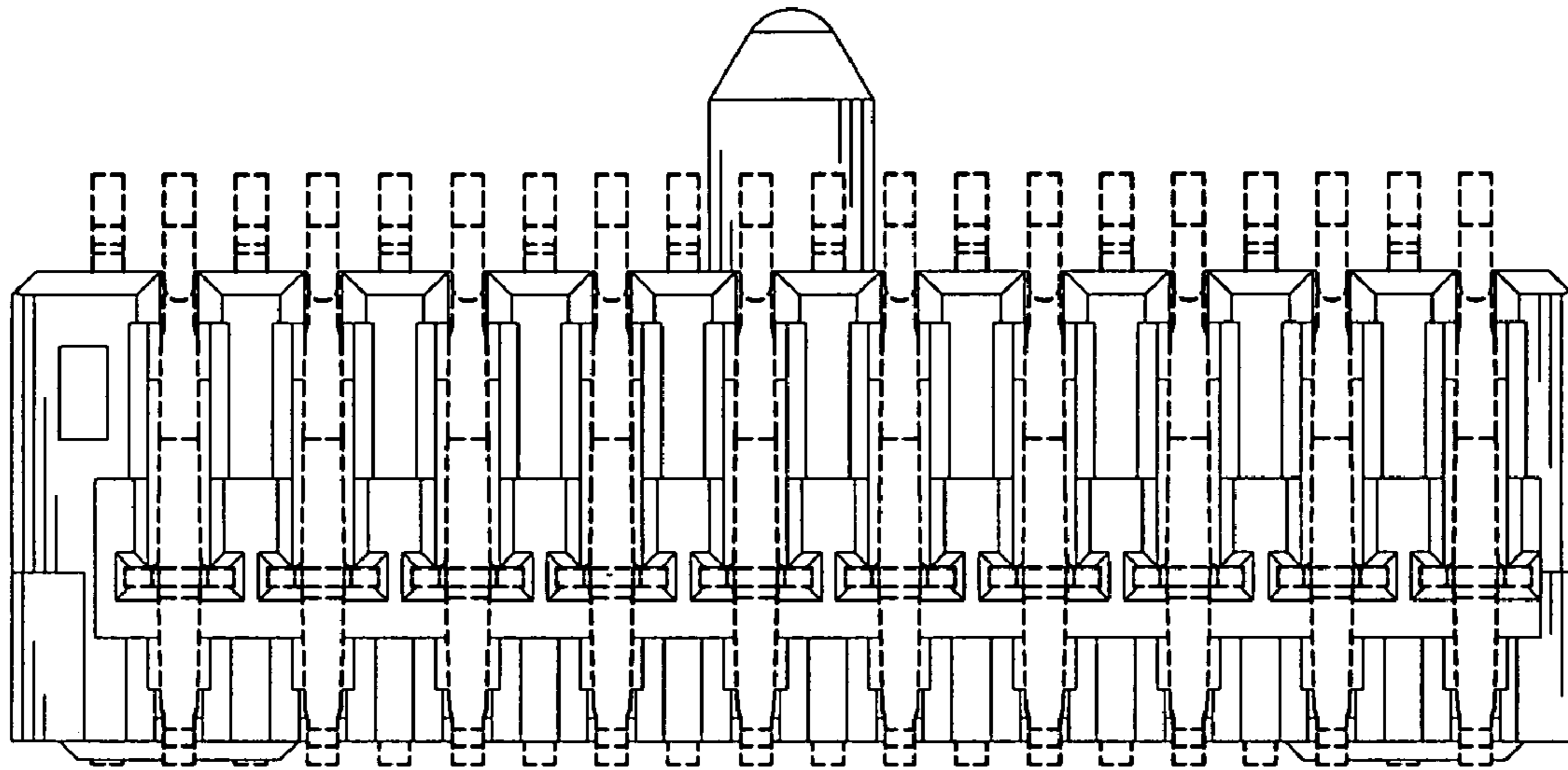


FIG. 3

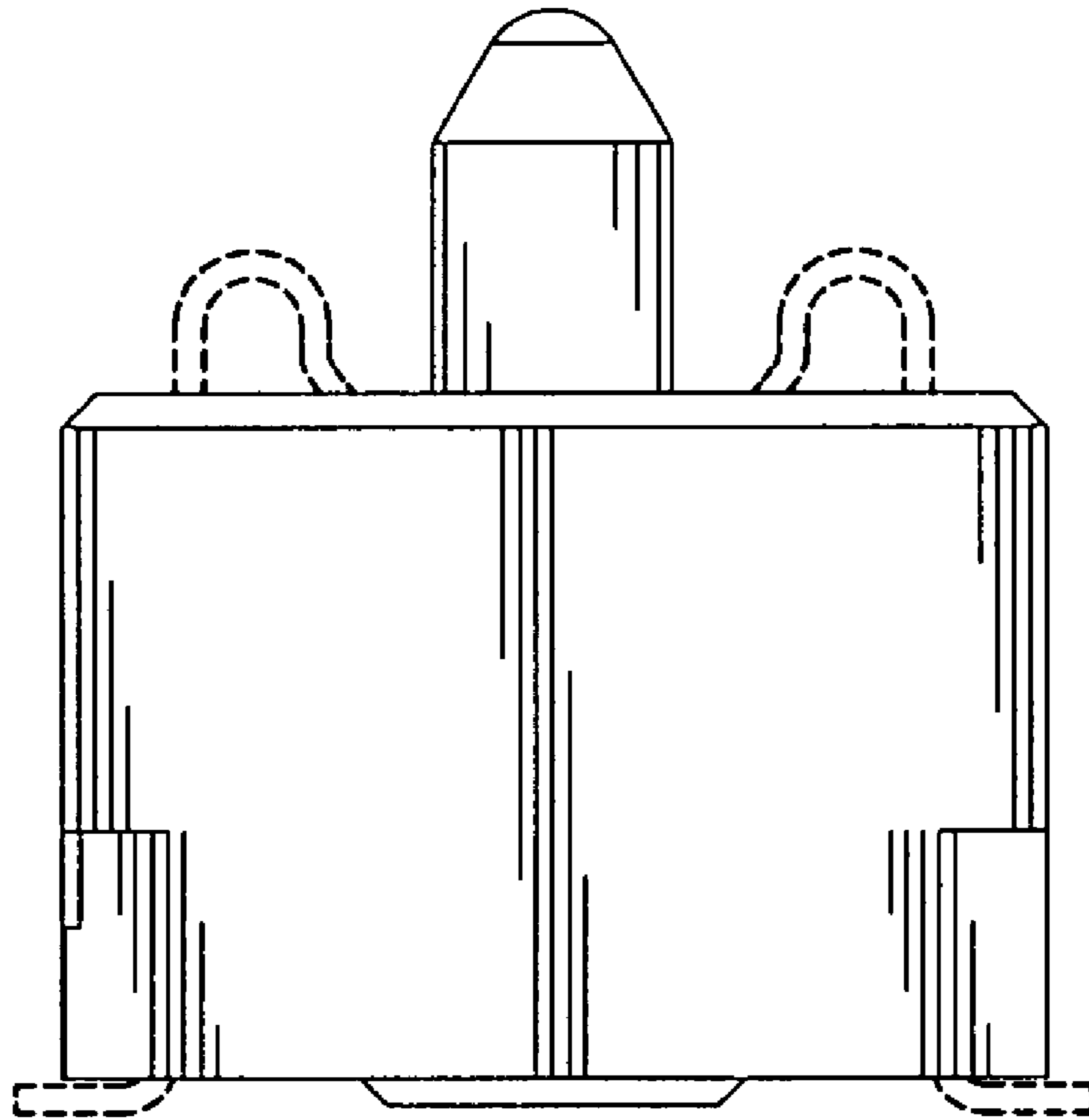


FIG. 4

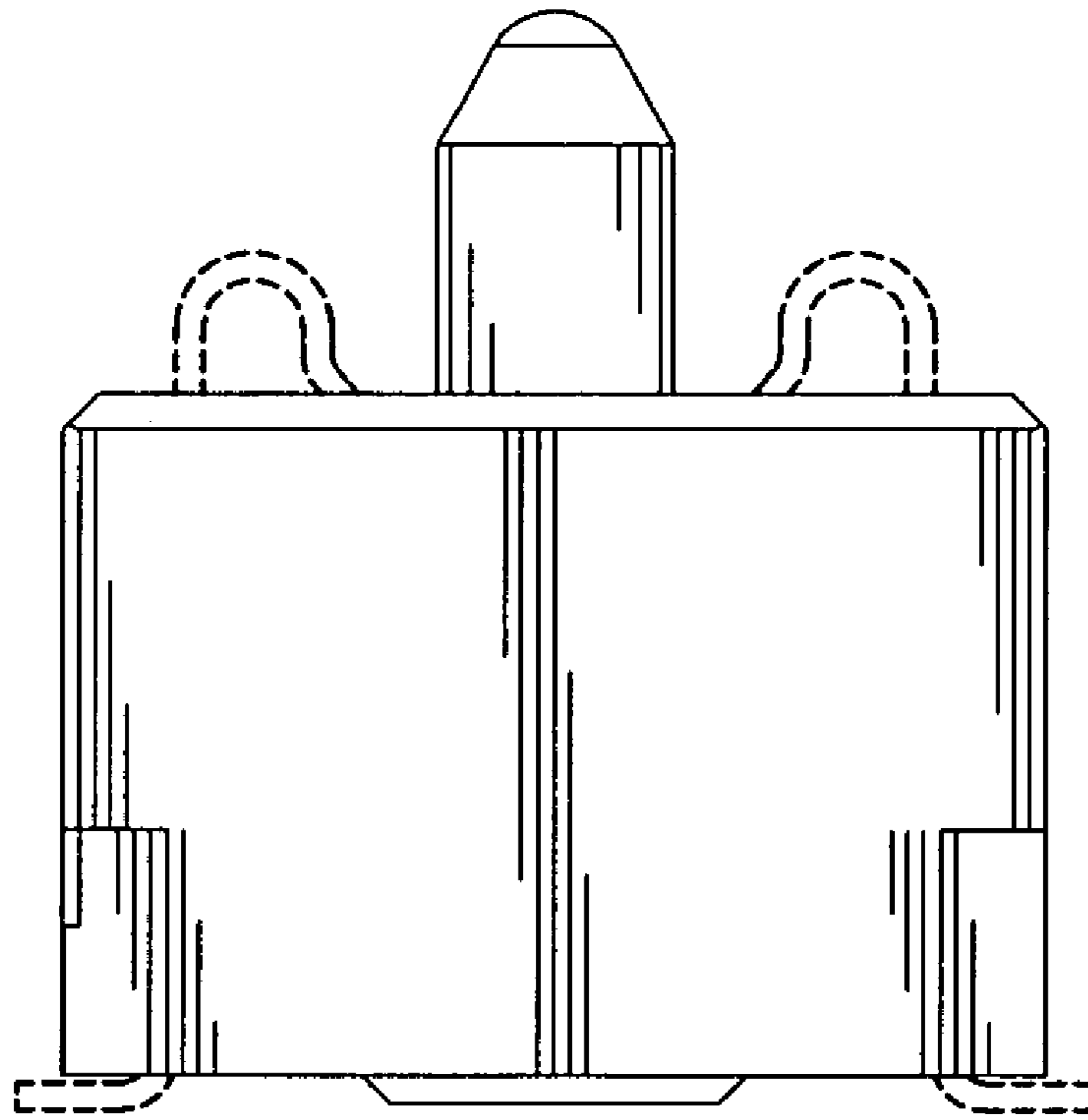


FIG. 5

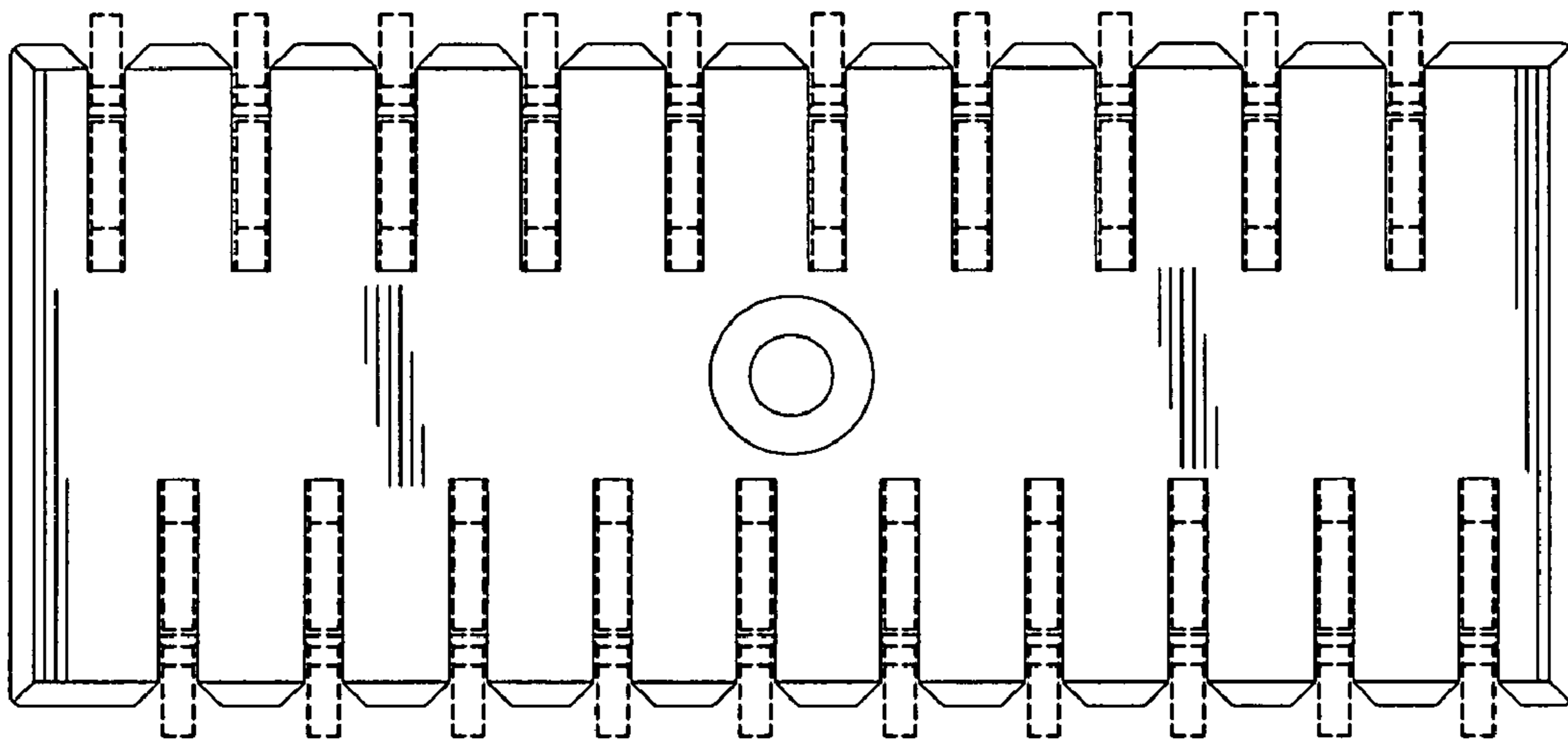


FIG. 6

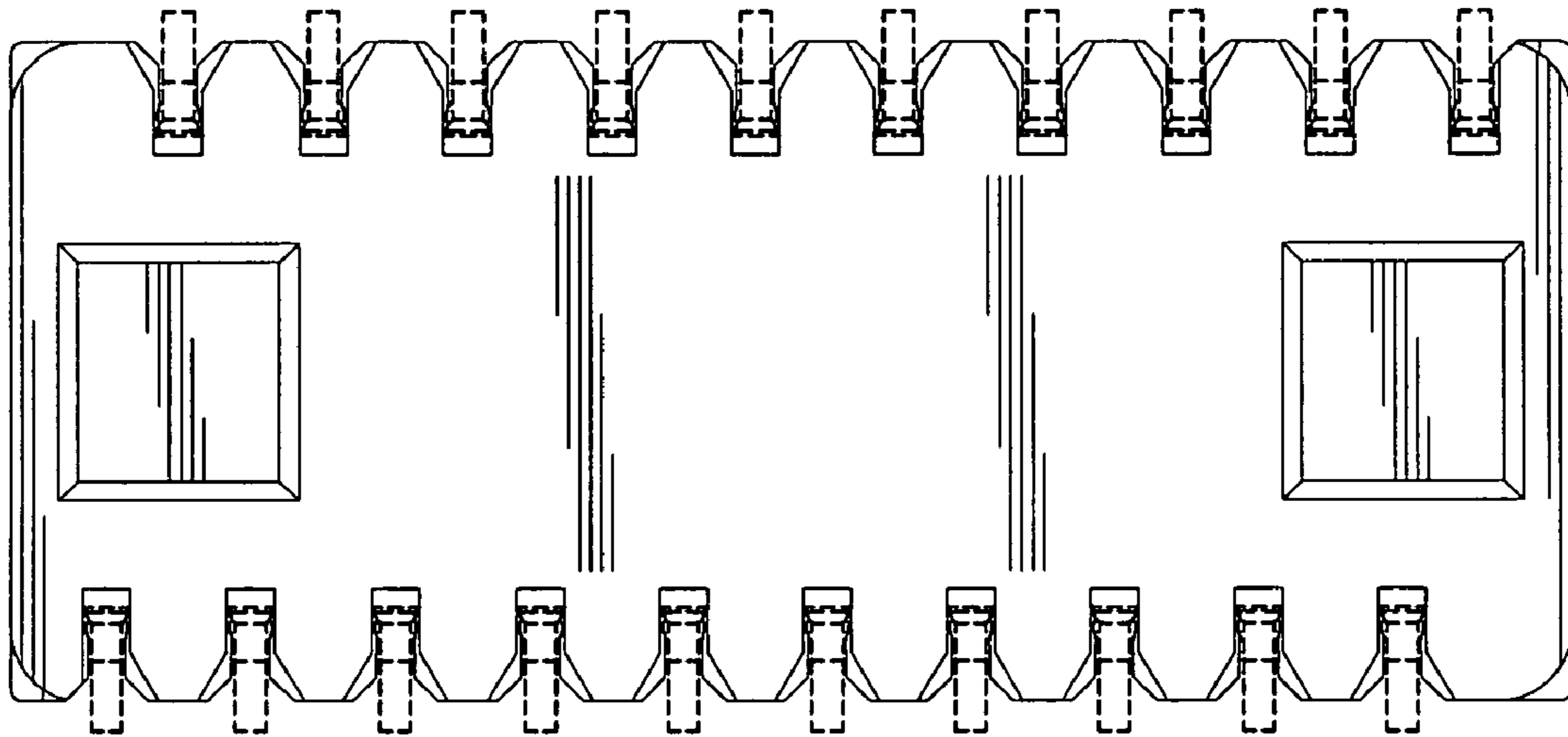


FIG. 7