



US00D584236S

(12) **United States Design Patent**  
**Wegner et al.**

(10) **Patent No.:** **US D584,236 S**  
(45) **Date of Patent:** **\*\* Jan. 6, 2009**

(54) **ELECTRICAL BOX COVERPLATE**

(76) Inventors: **Wesley Gene Wegner**, 3486 Robin Hill,  
Thousand Oaks, CA (US) 91360; **Paul  
Brett Wegner**, 425 W. Maple Ave., El  
Segundo, CA (US) 90245

(\*\*) Term: **14 Years**

(21) Appl. No.: **29/320,168**

(22) Filed: **Jun. 23, 2008**

**Related U.S. Application Data**

(62) Division of application No. 29/296,986, filed on Oct.  
31, 2007, now Pat. No. Des. 579,879.

(51) **LOC (9) Cl.** ..... **13-03**

(52) **U.S. Cl.** ..... **D13/152**

(58) **Field of Classification Search** ..... D13/133,  
D13/152, 154, 158, 139.3; 220/3.2, 3.92,  
220/4.03; 174/53, 58, 73

See application file for complete search history.

(56) **References Cited**

**U.S. PATENT DOCUMENTS**

2,875,915	A *	3/1959	Buckels	.....	220/3.92
3,651,245	A	3/1972	Moll		
3,955,701	A	5/1976	Fisch		
4,634,015	A	1/1987	Taylor		
5,012,043	A	4/1991	Seymour		
D341,353	S *	11/1993	O	.....	D13/152
5,293,003	A	3/1994	Prairie, Jr.		
5,931,325	A	8/1999	Filipov		

6,649,835	B2	11/2003	Gilleran		
6,820,760	B2 *	11/2004	Wegner et al.	.....	220/4.03
D539,751	S *	4/2007	Kiely	.....	D13/152
D556,143	S *	11/2007	Ni	.....	D13/152

\* cited by examiner

*Primary Examiner*—Brian N Vinson

(74) *Attorney, Agent, or Firm*—Michael Blaine Brooks, P.C.;  
Michael B. Brooks

(57) **CLAIM**

The ornamental design for an “electrical box coverplate,” as shown and described.

**DESCRIPTION**

FIG. 1 is a top-left-front perspective view of a first embodiment of an “electrical box coverplate” showing my new design;

FIG. 2 is a front elevational view thereof; the back elevational view is a mirror image thereof;

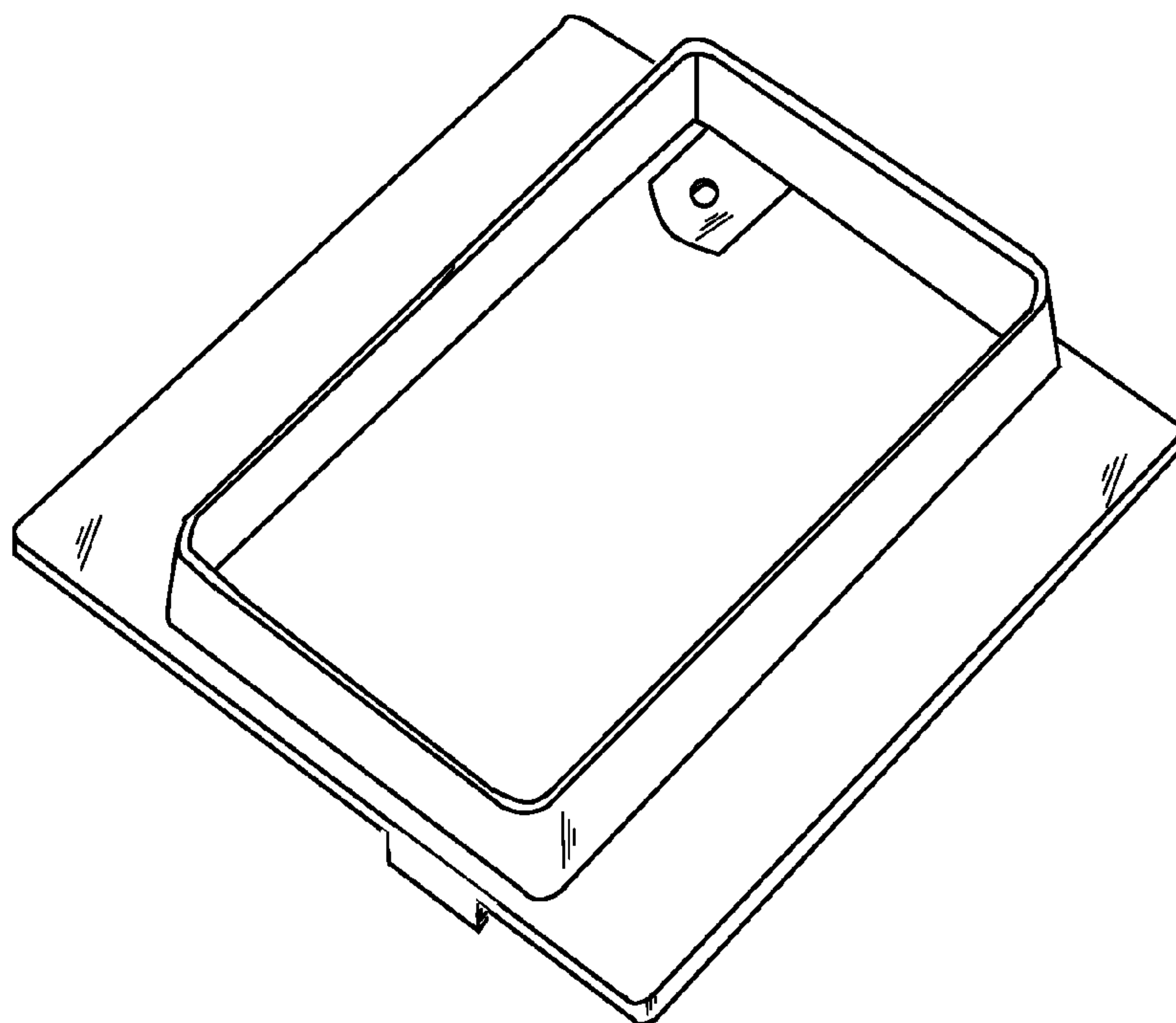
FIG. 3 is a left elevational view thereof; the right elevational view is a mirror image thereof.

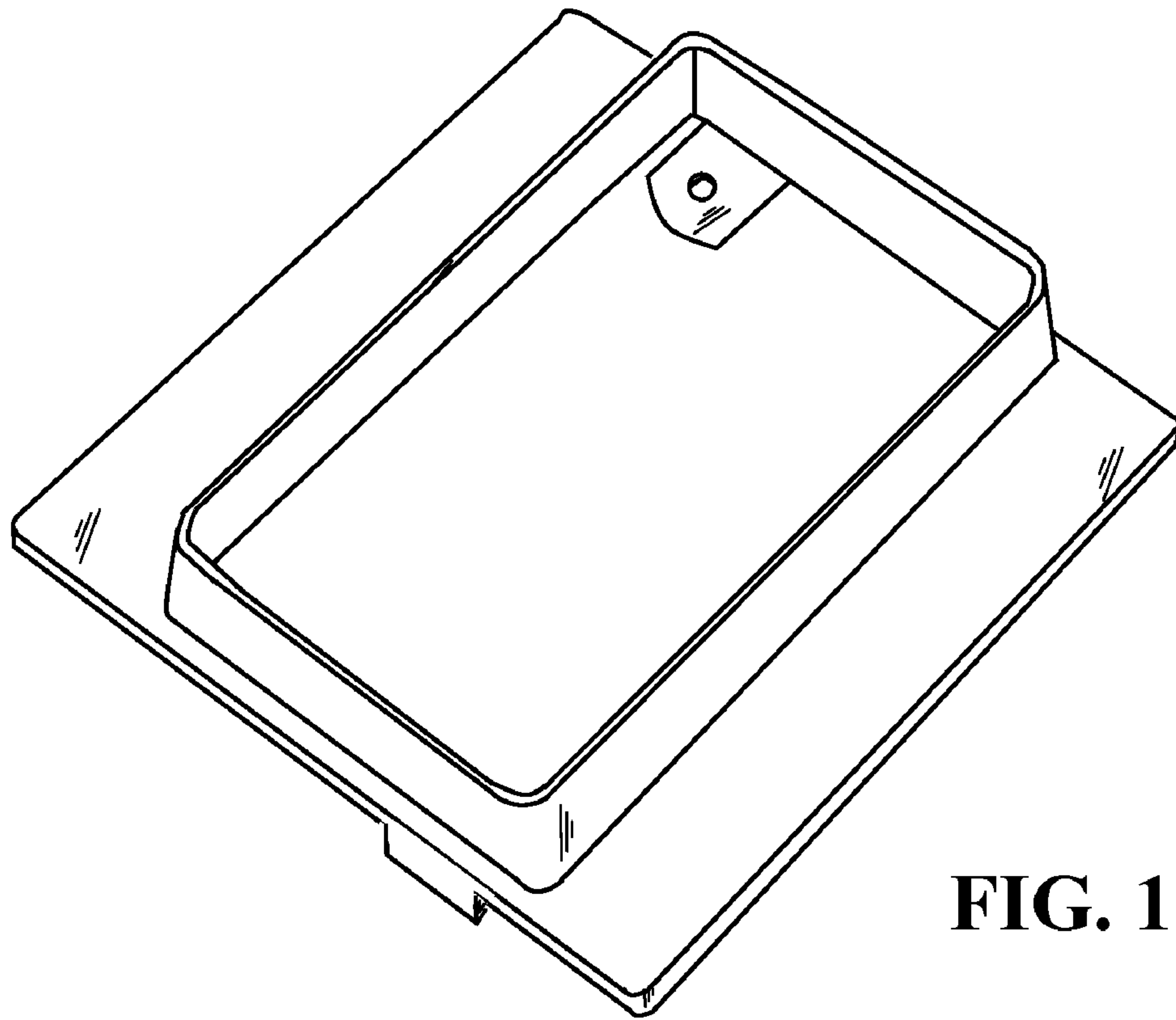
FIG. 4 is a top-left-front perspective view of a second embodiment of an “electrical box coverplate” showing my new design;

FIG. 5 is a front elevational view thereof; the back elevational view is a mirror image thereof; and,

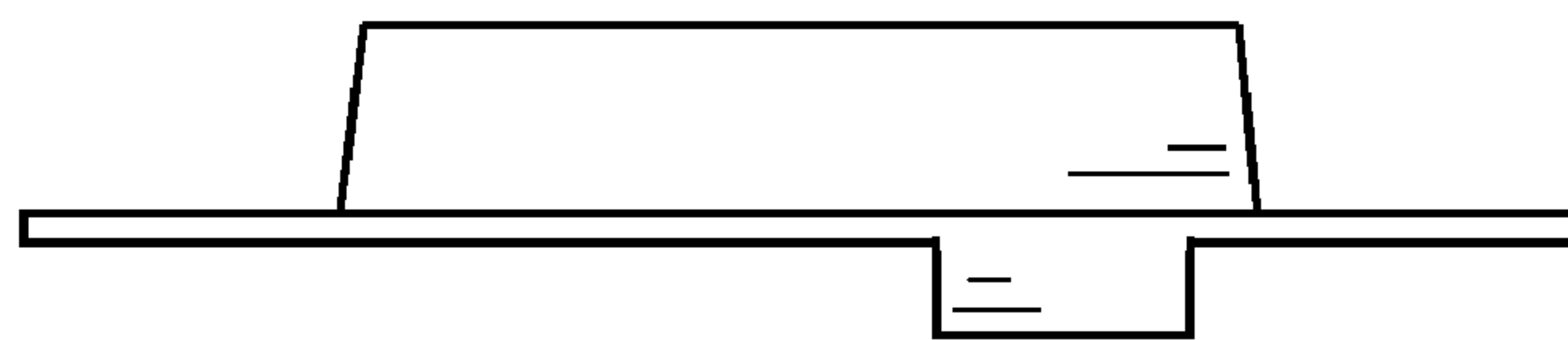
FIG. 6 is a left elevational view thereof; the right elevational view is a mirror image thereof.

**1 Claim, 2 Drawing Sheets**

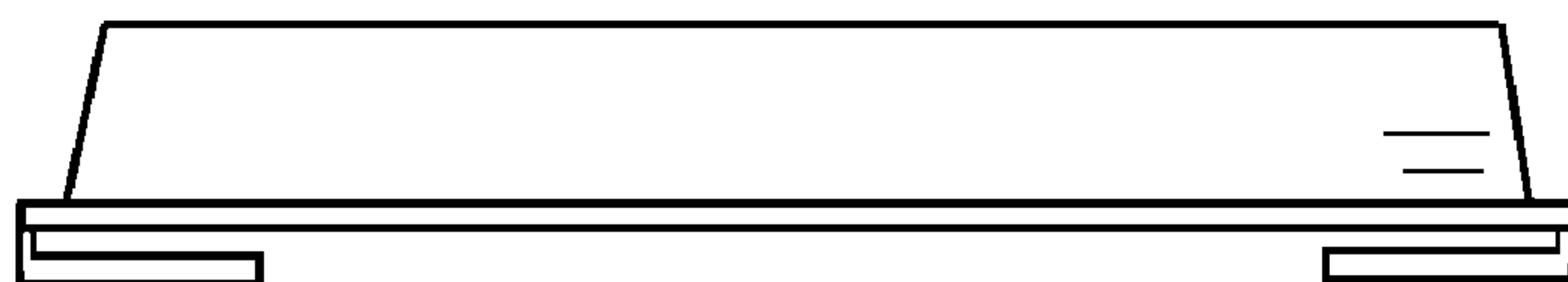




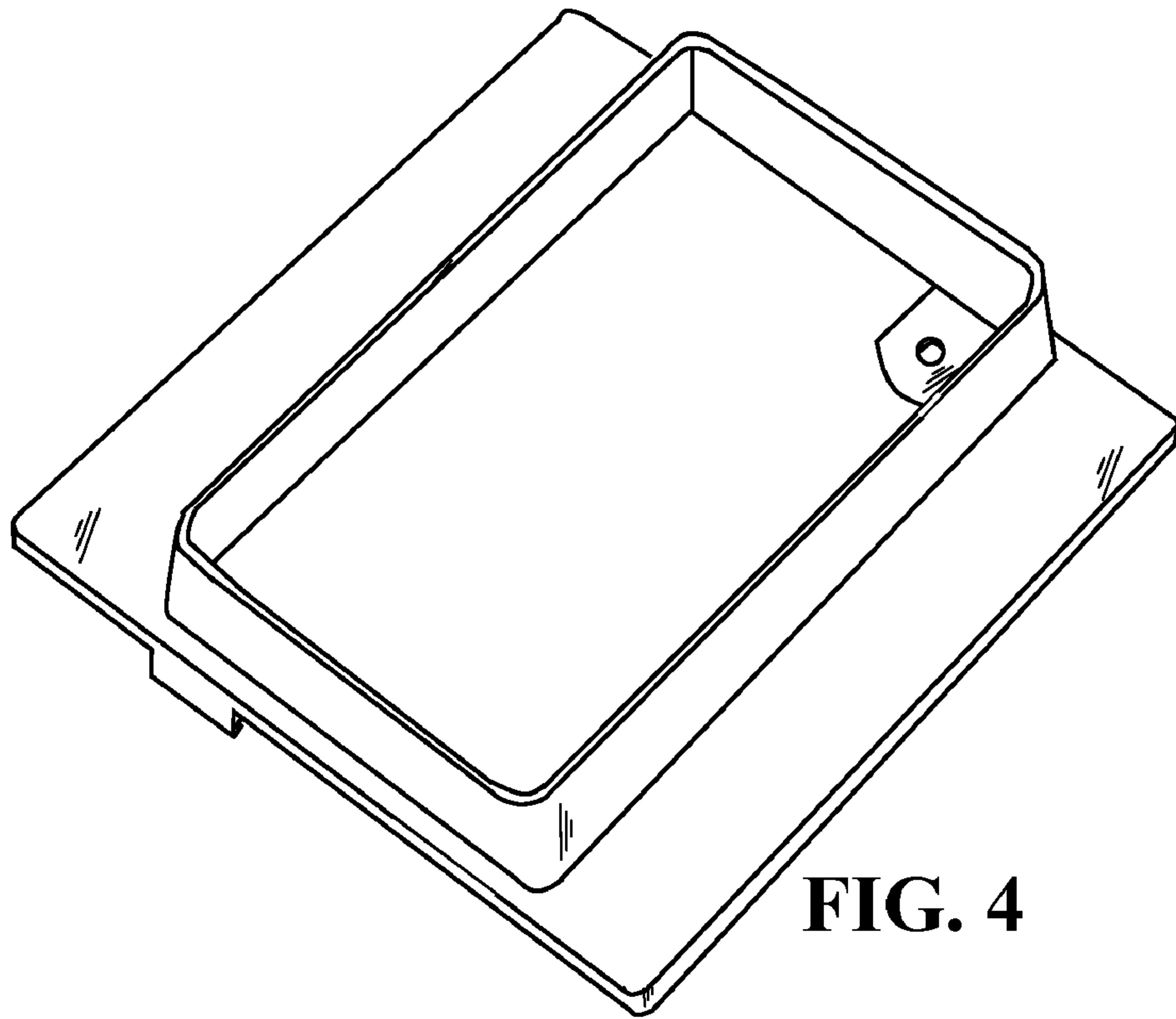
**FIG. 1**



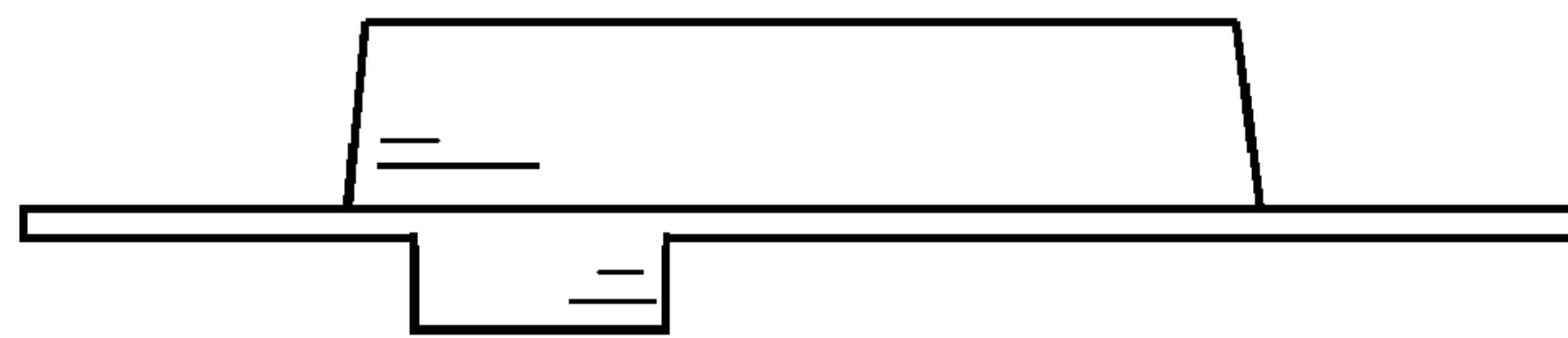
**FIG. 2**



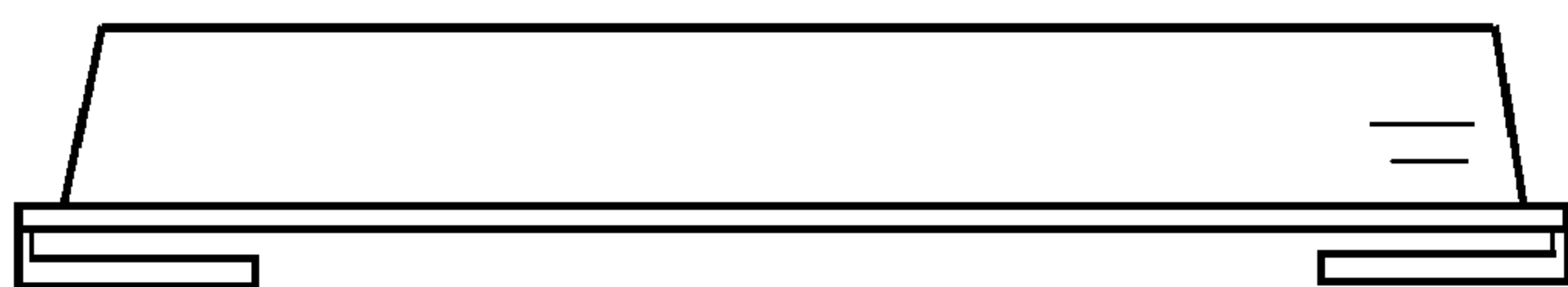
**FIG. 3**



**FIG. 4**



**FIG. 5**



**FIG. 6**