



US00D584235S

(12) **United States Design Patent**
Montena

(10) **Patent No.:** **US D584,235 S**
(45) **Date of Patent:** **** Jan. 6, 2009**

(54) **RF FILTER HOUSING**

(75) Inventor: **Noah P. Montena**, Syracuse, NY (US)

(73) Assignee: **John Mezzalingua Associates Inc.**, East Syracuse, NY (US)

(**) Term: **14 Years**

(21) Appl. No.: **29/253,153**

(22) Filed: **Feb. 1, 2006**

(51) **LOC (9) Cl.** **13-03**

(52) **U.S. Cl.** **D13/151; D13/133**

(58) **Field of Classification Search** D13/133,
D13/151, 154, 156, 184, 199; 333/22 R,
333/185; 439/63, 322, 394, 578, 580, 620,
439/583–585, 750–751

See application file for complete search history.

(56) **References Cited**

U.S. PATENT DOCUMENTS

3,680,034	A *	7/1972	Chow et al.	439/289
D320,192	S *	9/1991	Sisk	D13/133
D458,904	S *	6/2002	Montena	D13/154
6,491,546	B1 *	12/2002	Perry	439/620.03
6,794,957	B2 *	9/2004	Shafer et al.	333/185

D504,113 S 4/2005 Montena

D504,114 S 4/2005 Montena

D508,895 S 8/2005 Montena

D509,478 S 9/2005 Montena

2004/0077215 A1 * 4/2004 Palinkas et al. 439/578

2005/0162238 A1 * 7/2005 Ho 333/185

* cited by examiner

Primary Examiner—Daniel D Bui

(57) **CLAIM**

The ornamental design for a RF filter housing, as shown and described.

DESCRIPTION

FIG. 1 is a top perspective view of a RF filter housing showing my new design;

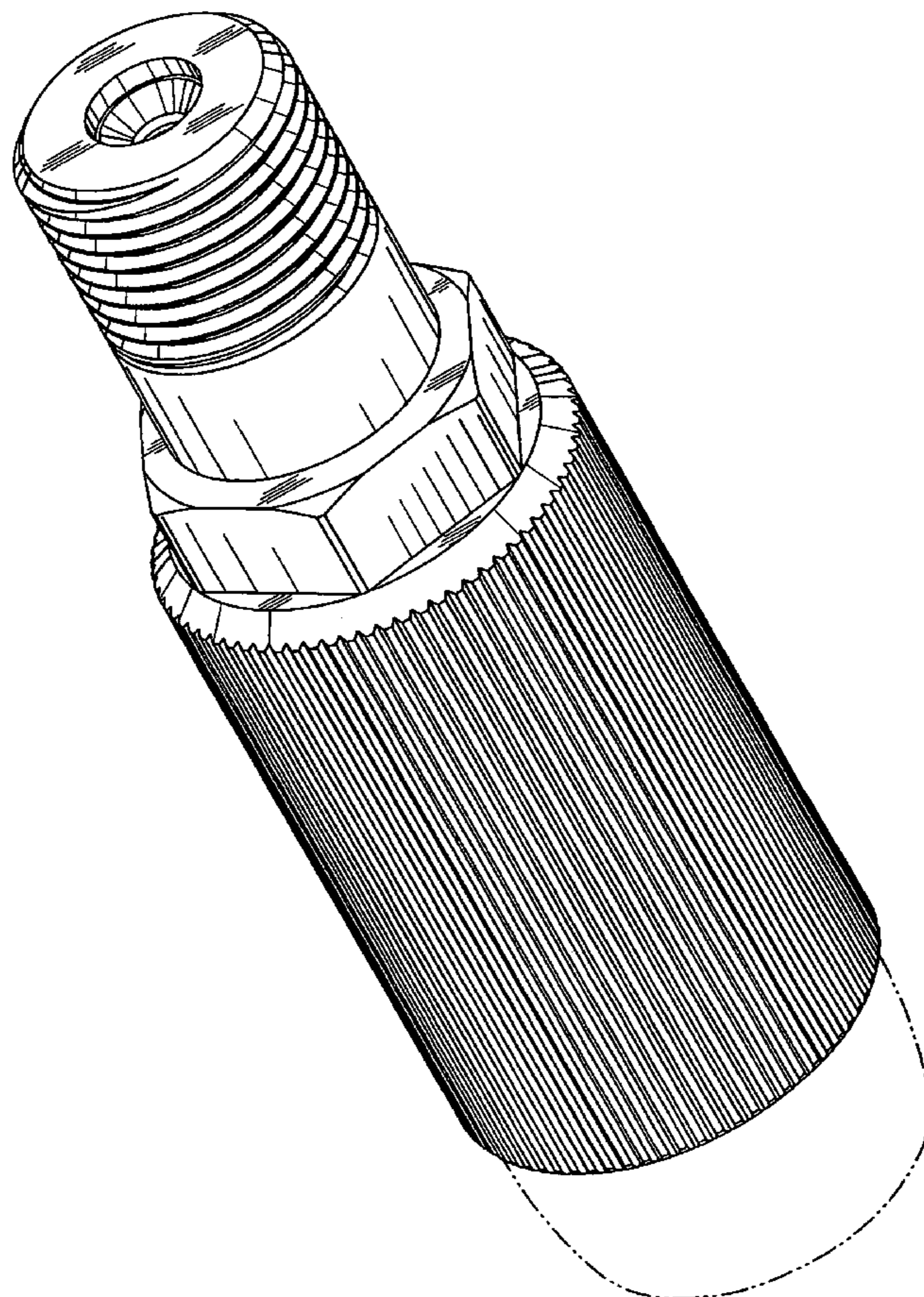
FIG. 2 is an elevation view thereof, the opposite view being identical thereto;

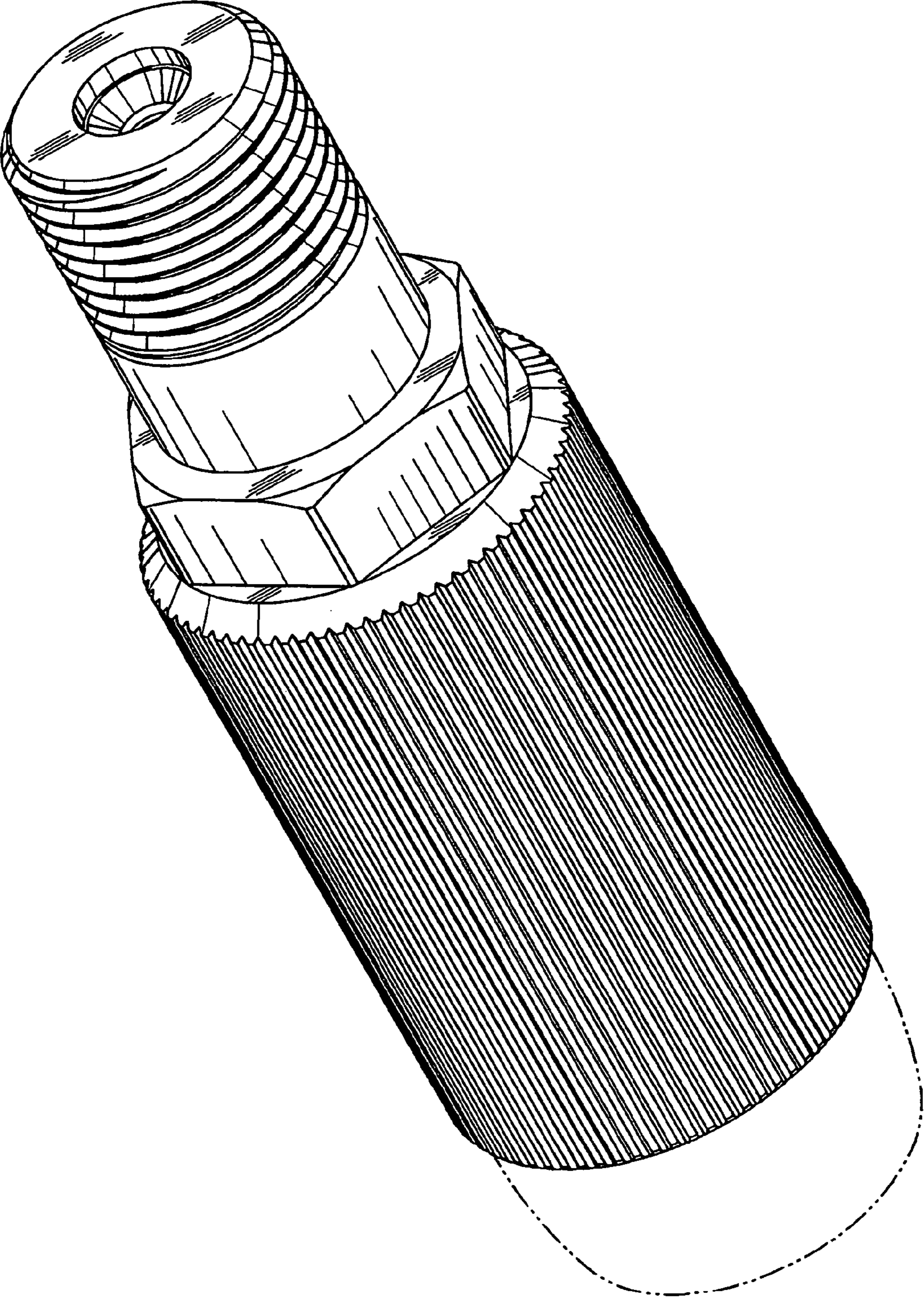
FIG. 3 is a top plan view thereof; and,

FIG. 4 is a bottom plan view thereof.

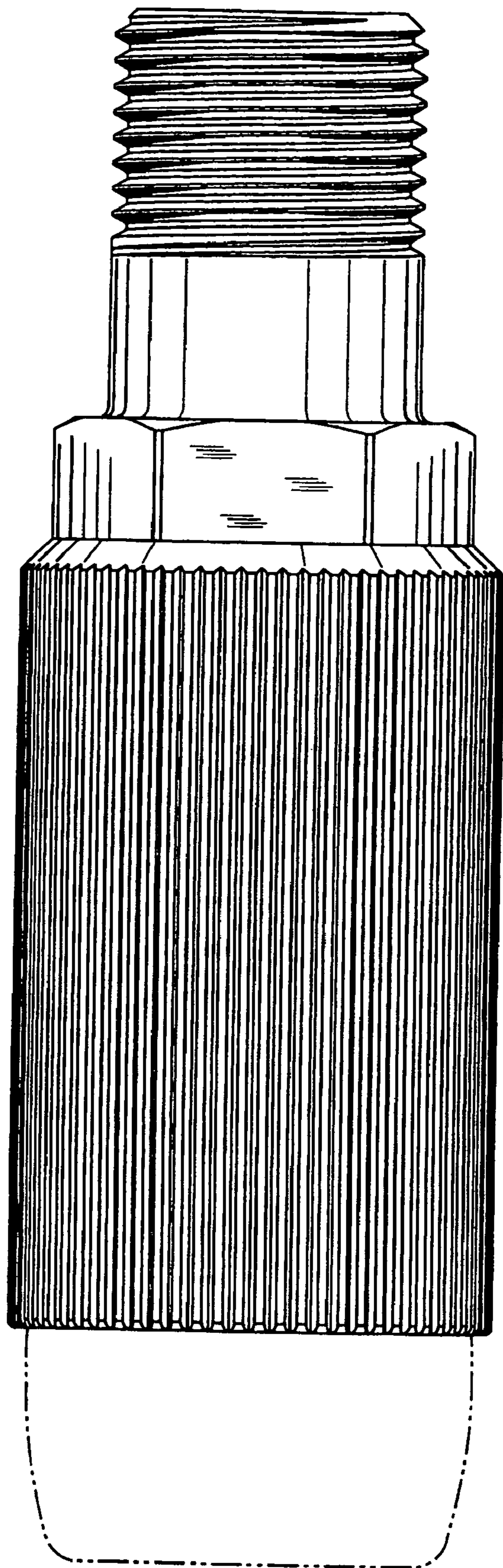
The broken line showing of the environment is for illustrative purposes only and forms no part of the claimed design.

1 Claim, 3 Drawing Sheets

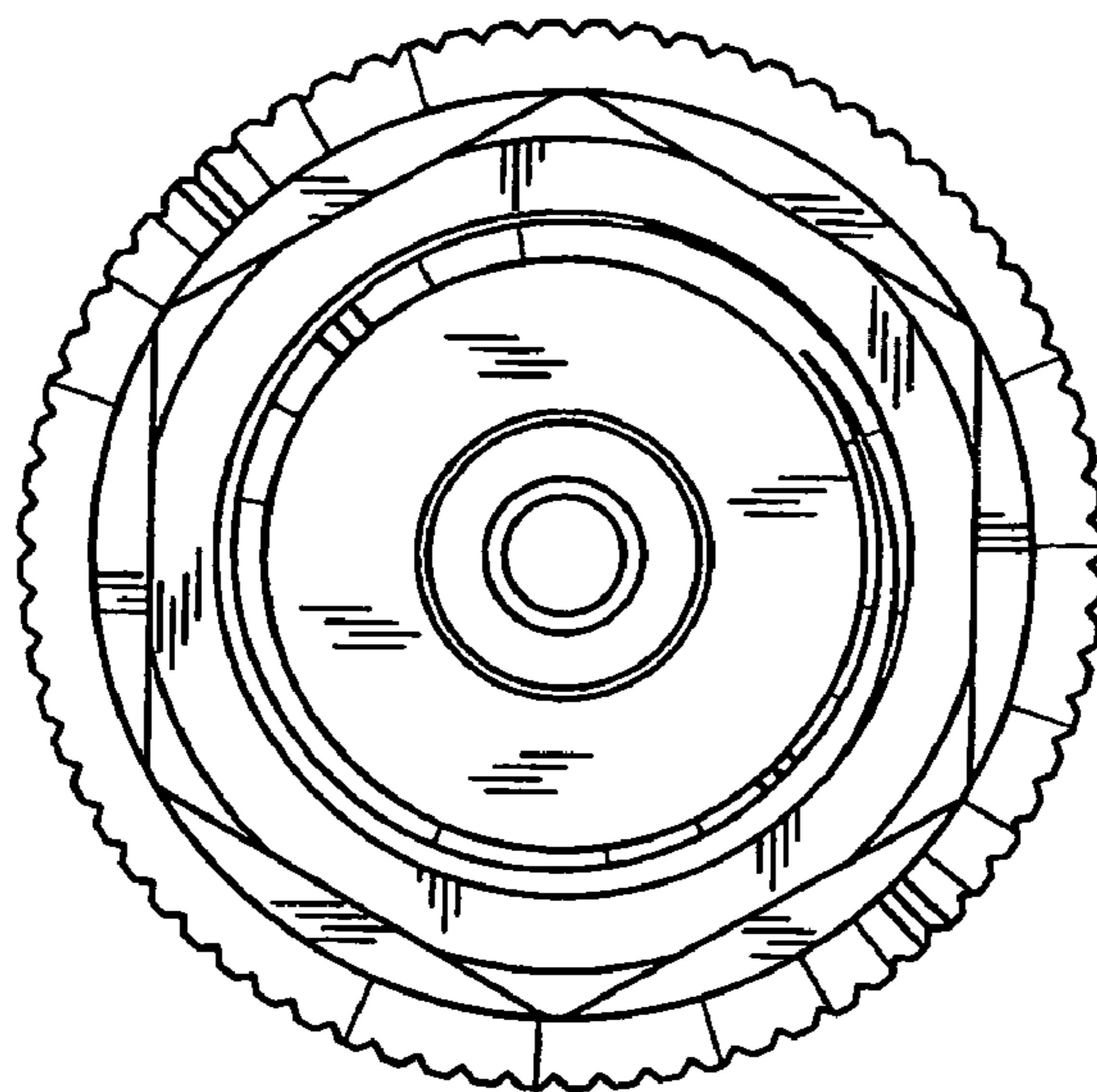




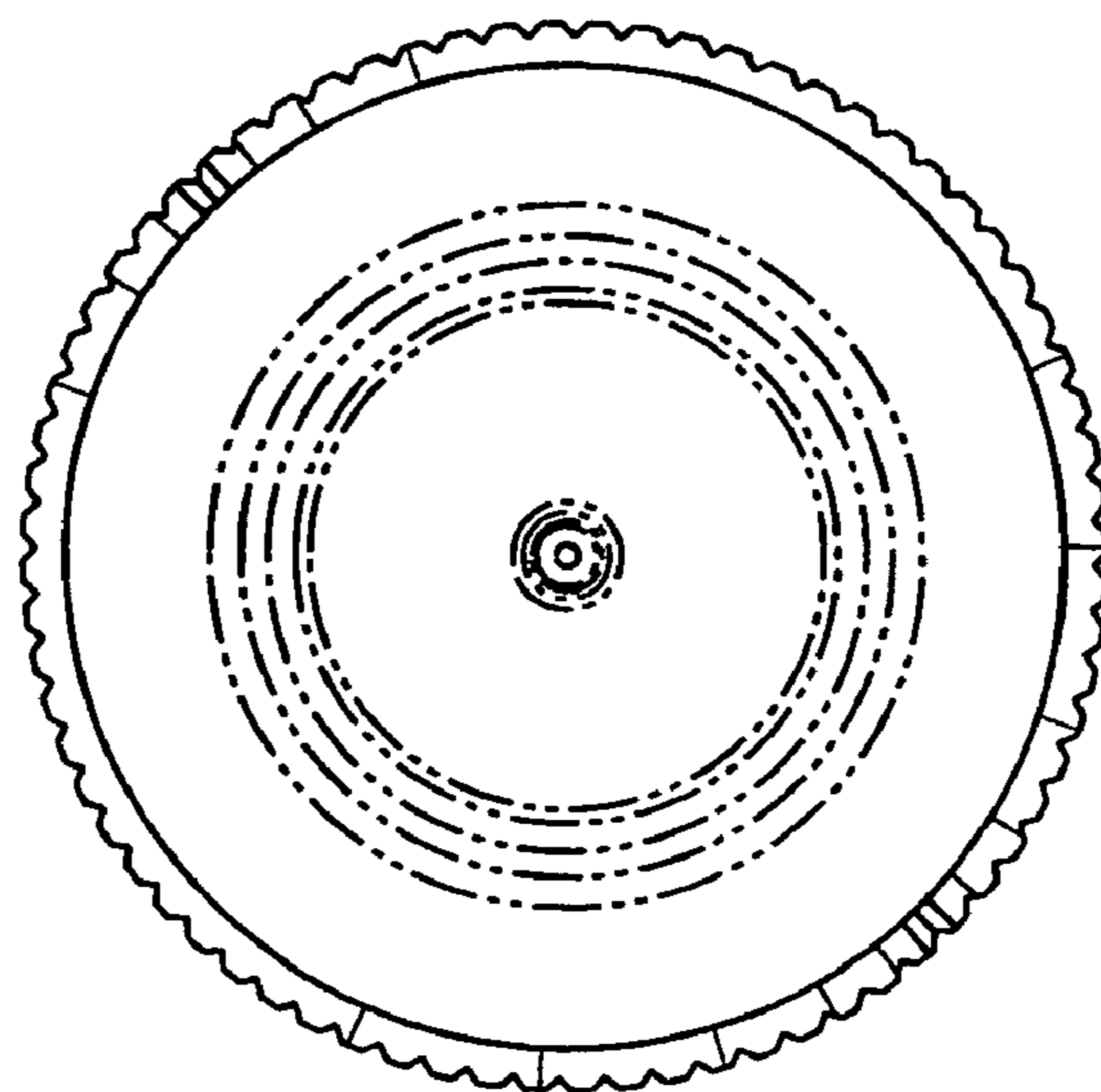
—FIG. 1



— FIG. 2



— FIG. 3



— FIG. 4