



US00D584234S

(12) **United States Design Patent**
Aizawa

(10) **Patent No.:** **US D584,234 S**

(45) **Date of Patent:** **** Jan. 6, 2009**

(54) **ELECTRIC CONNECTOR**

(75) Inventor: **Hidenori Aizawa**, Tokyo (JP)

(73) Assignee: **Honda Tsushin Kogyo Co., Ltd.**, Tokyo (JP)

(**) Term: **14 Years**

(21) Appl. No.: **29/300,965**

(22) Filed: **Jun. 5, 2008**

(30) **Foreign Application Priority Data**

Dec. 28, 2007 (JP) 2007-036130

(51) **LOC (9) Cl.** **13-03**

(52) **U.S. Cl.** **D13/147**

(58) **Field of Classification Search** D13/146-147,
D13/154, 184; 439/79, 108, 278, 374, 378,
439/540.1, 541.5, 607-610, 660, 682

See application file for complete search history.

(56) **References Cited**

U.S. PATENT DOCUMENTS

D330,540 S * 10/1992 Tanaka D13/147

6,663,423 B2 * 12/2003 Belopolsky et al. 439/541.5

D519,080 S * 4/2006 Shimizu et al. D13/147

D537,787 S * 3/2007 Hayashi D13/147
D537,788 S * 3/2007 Kudo D13/147
D538,229 S * 3/2007 Hayashi D13/147

* cited by examiner

Primary Examiner—Daniel D Bui

(74) *Attorney, Agent, or Firm*—Wenderoth, Lind & Ponack, L.L.P.

(57) **CLAIM**

The original design for an electric connector, as shown and described.

DESCRIPTION

FIG. 1 is a top, front and right side perspective view of an electric connector showing my new design;

FIG. 2 is a top, rear and left side perspective view thereof;

FIG. 3 is a front elevational view thereof;

FIG. 4 is a rear elevational view thereof;

FIG. 5 is a top plan view thereof;

FIG. 6 is a bottom plan view thereof;

FIG. 7 is a right side elevational view thereof; and,

FIG. 8 is a left side elevational view thereof.

1 Claim, 4 Drawing Sheets

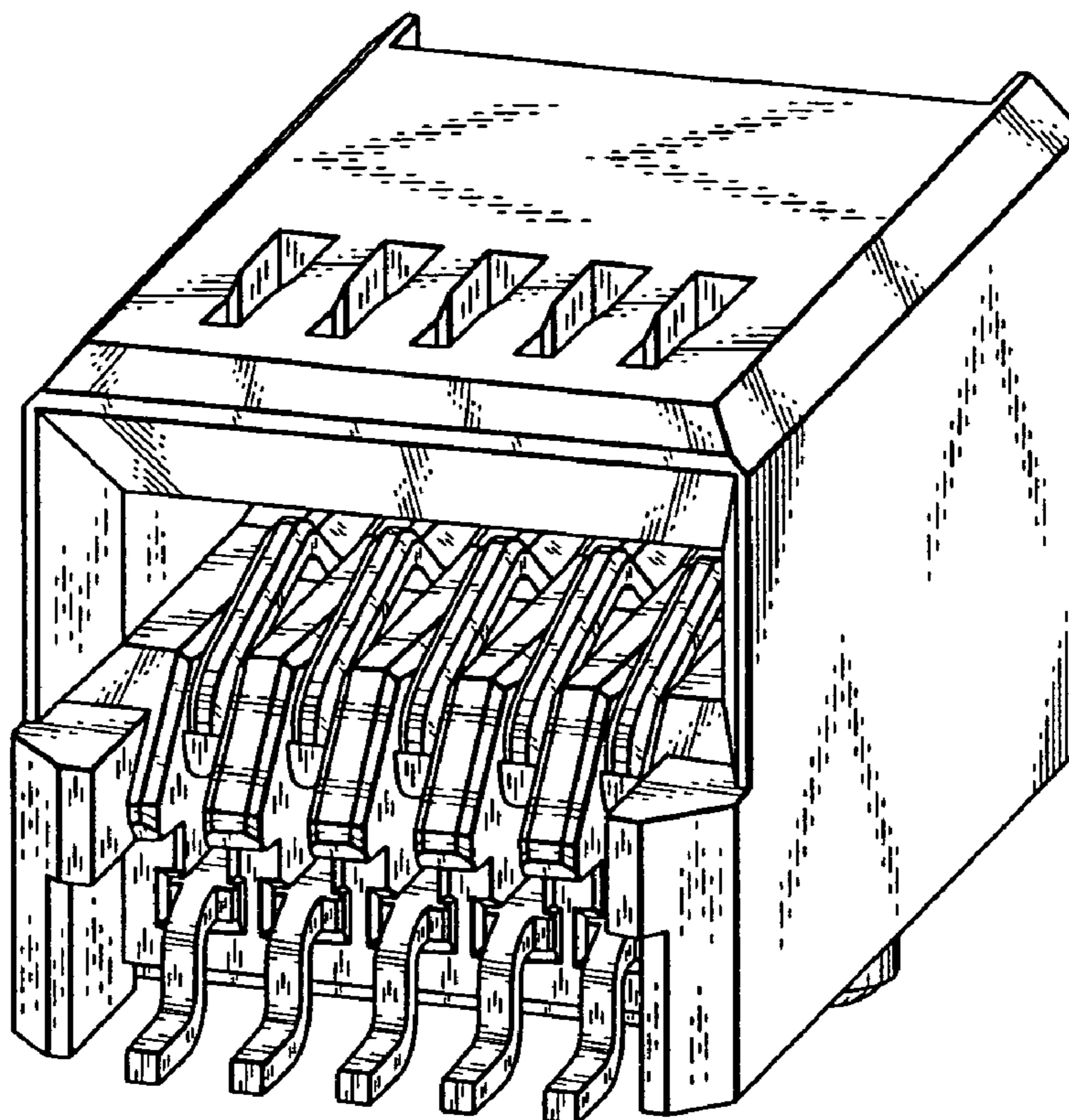


Fig. 1

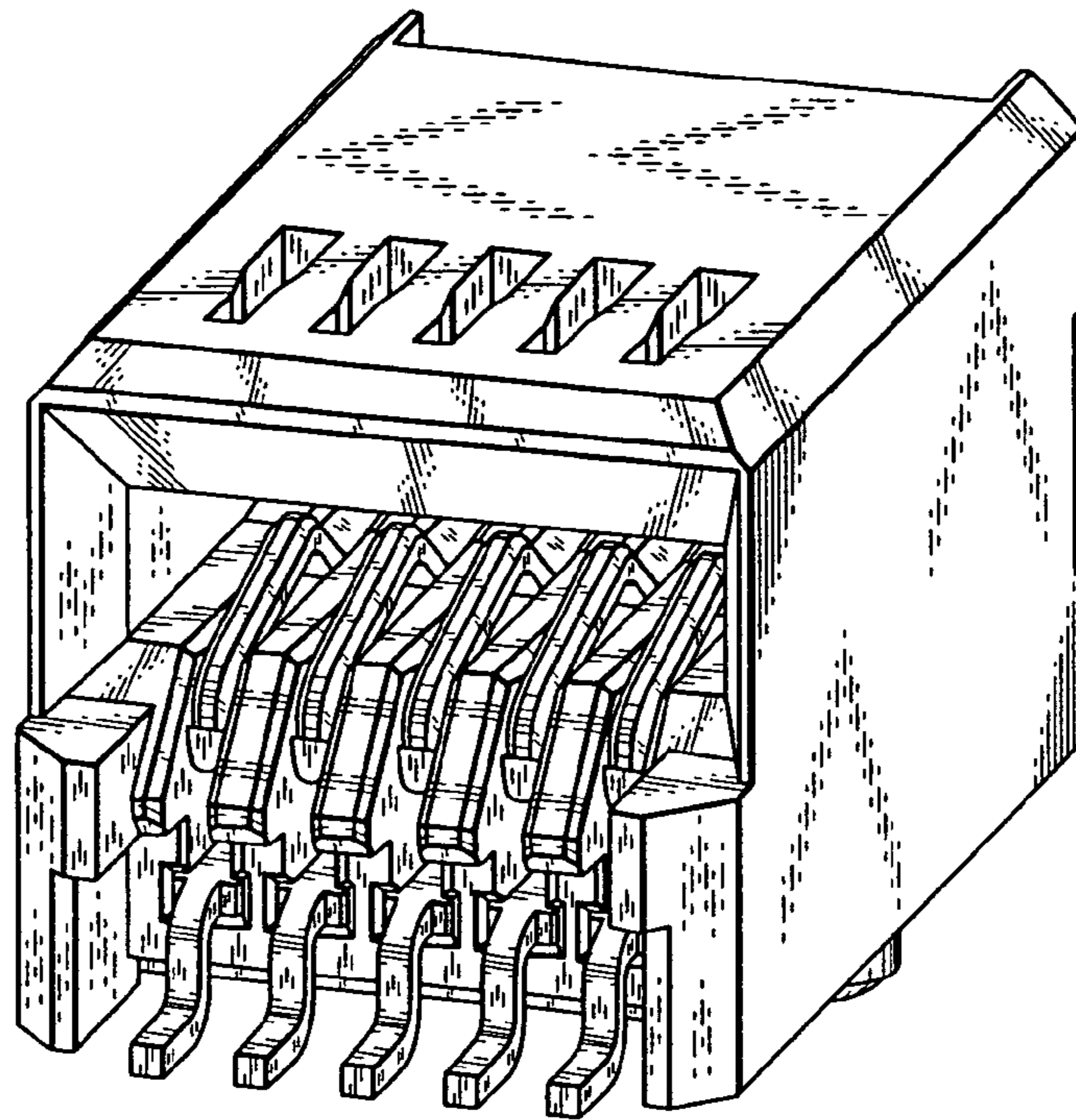


Fig. 2

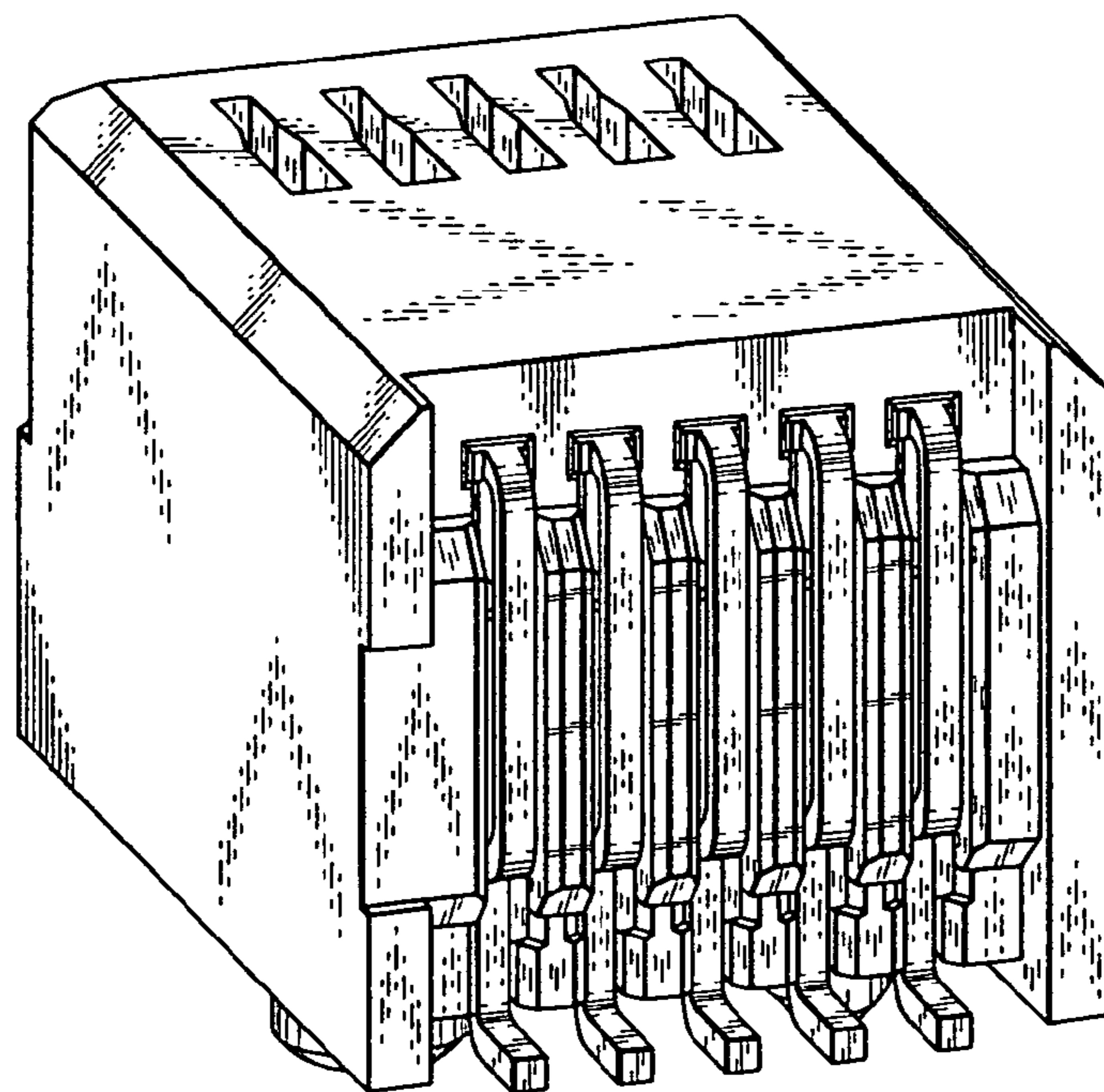


Fig. 3

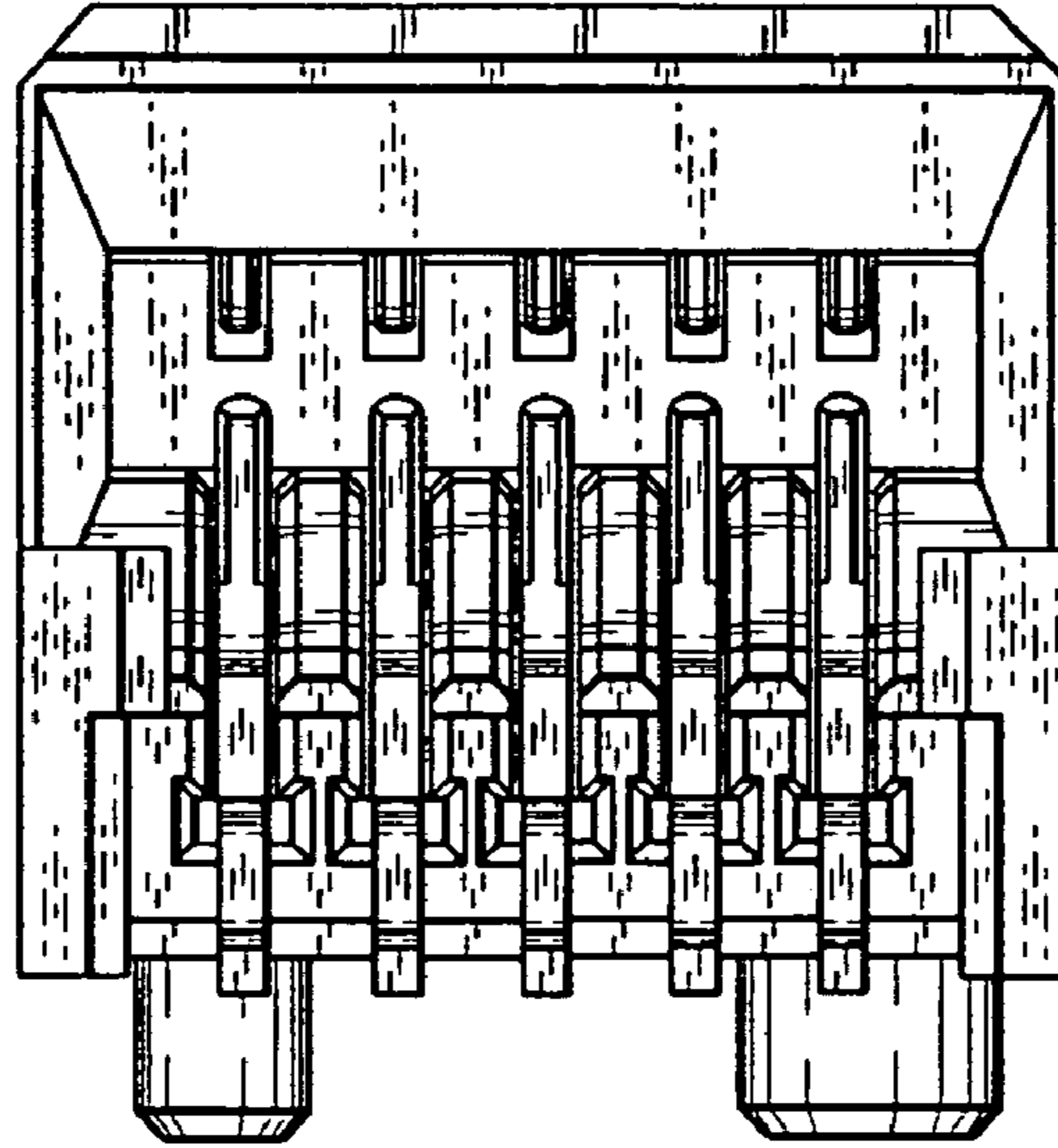


Fig. 4

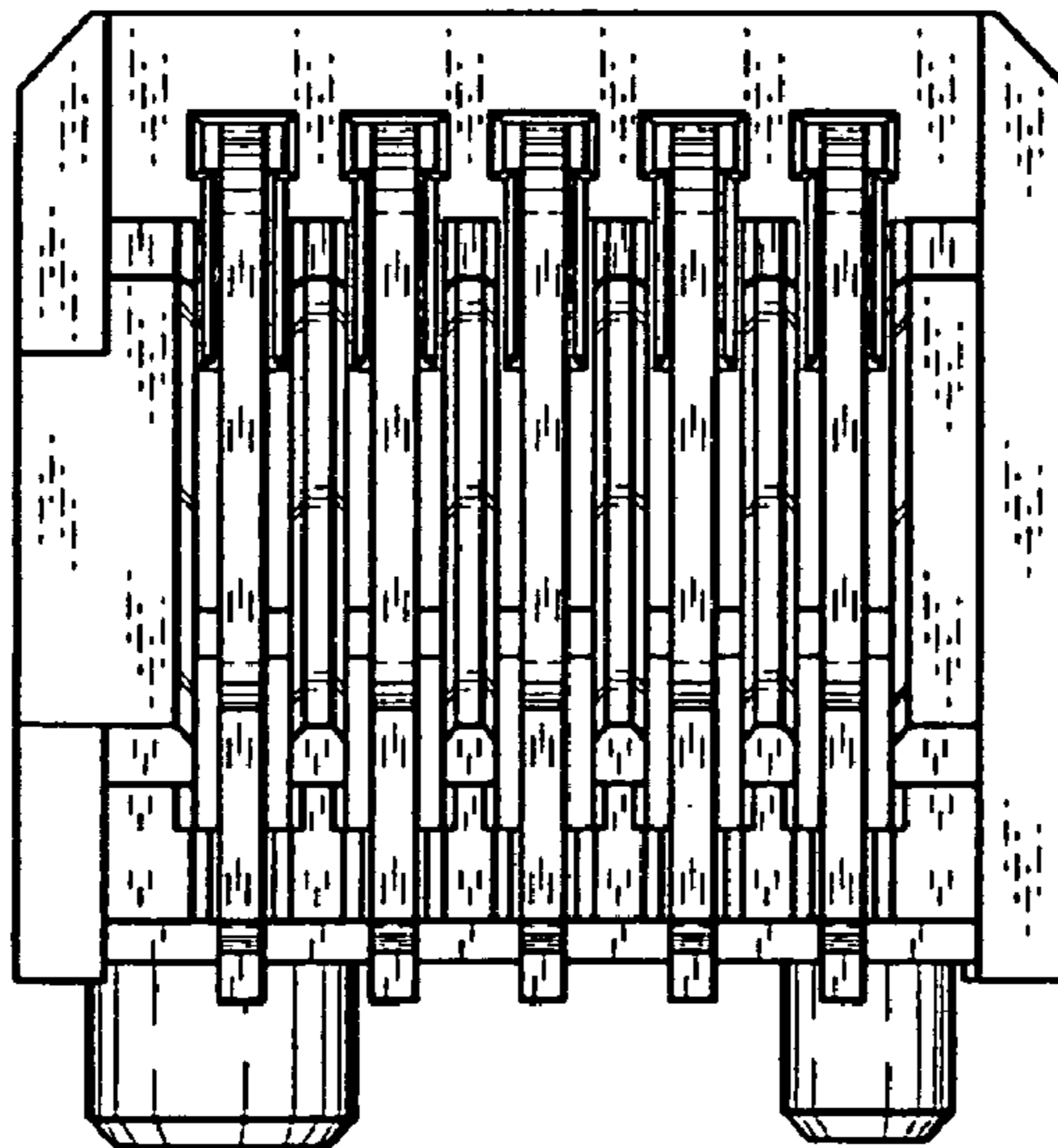


Fig. 5

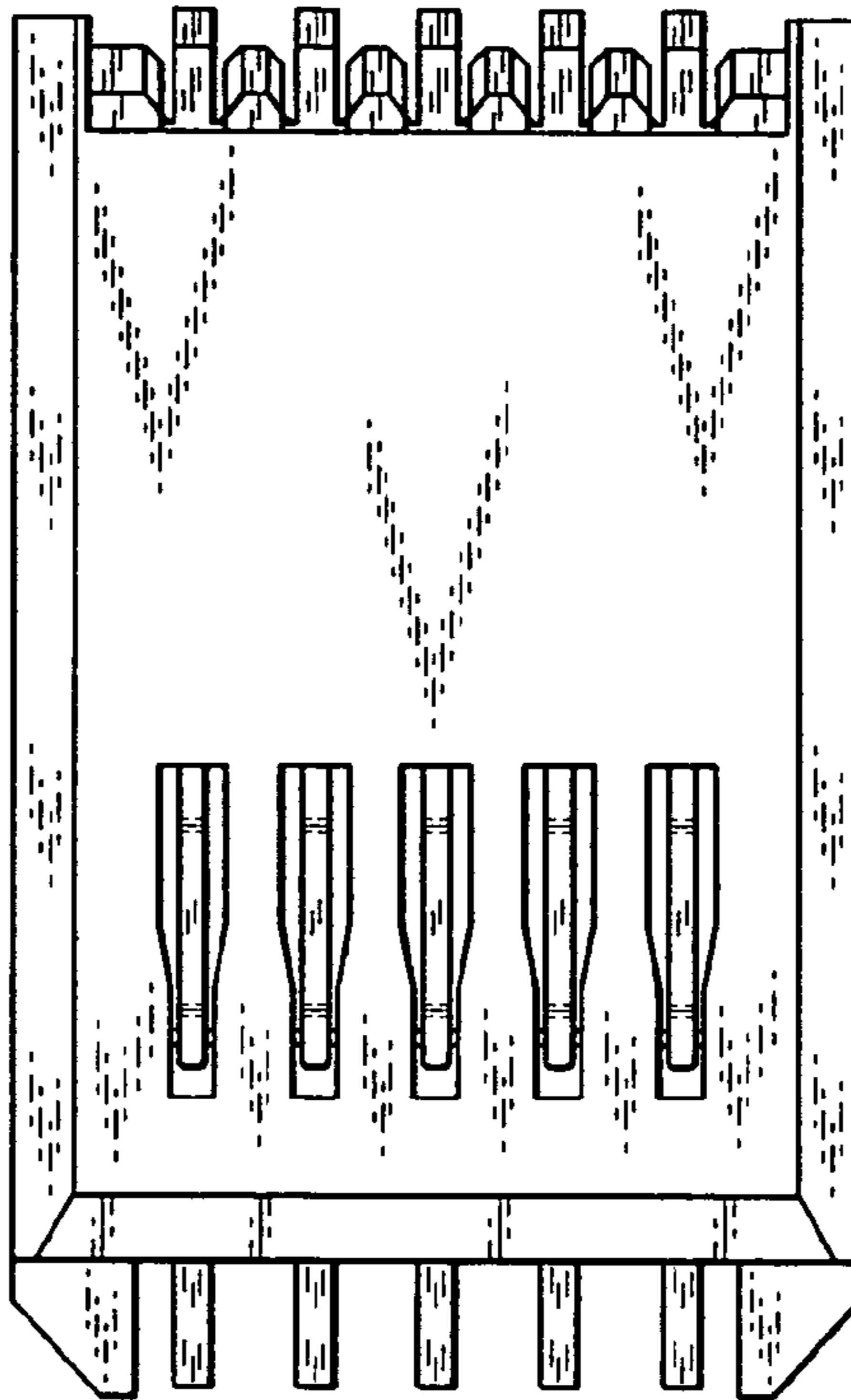


Fig. 6

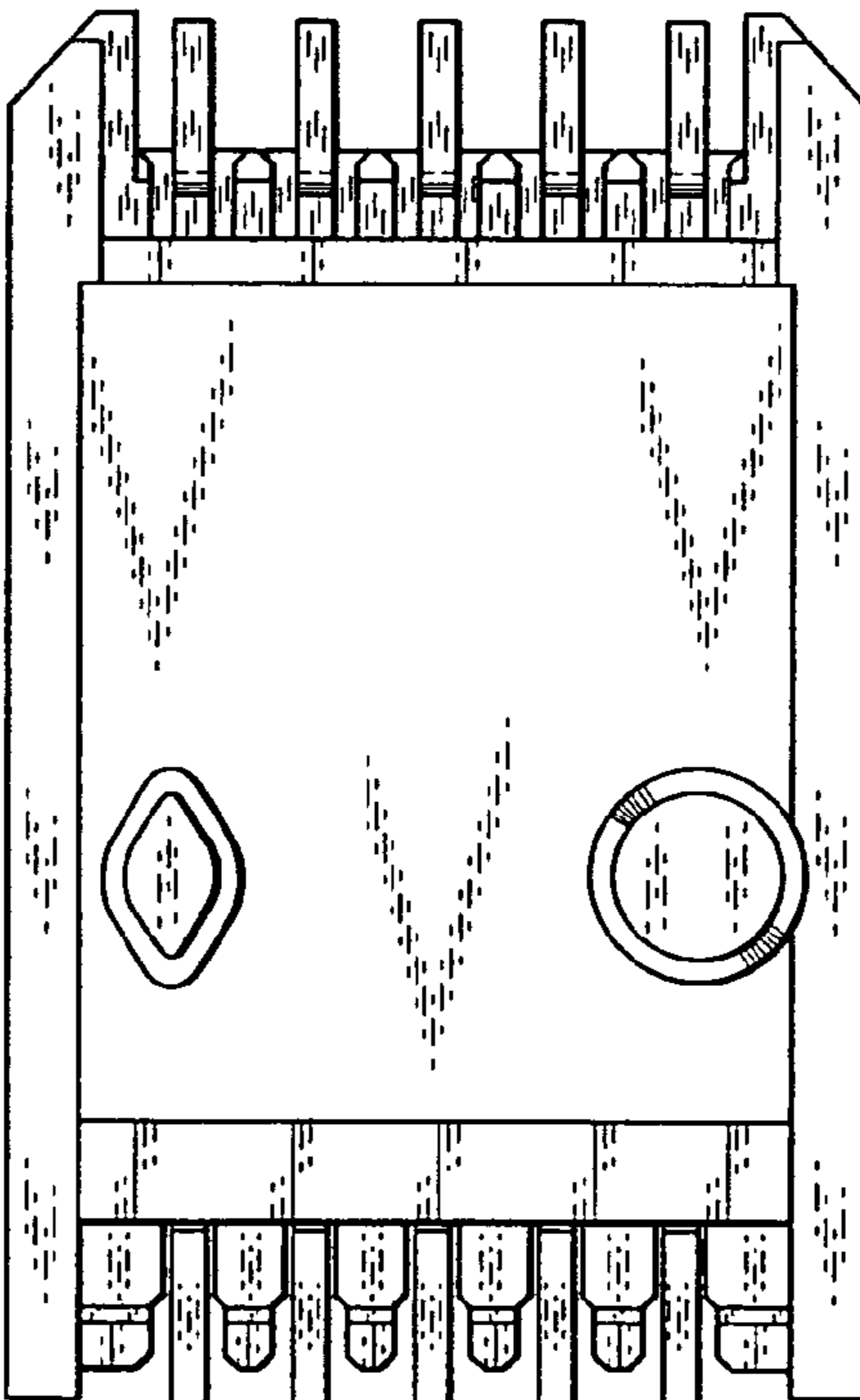


Fig. 7

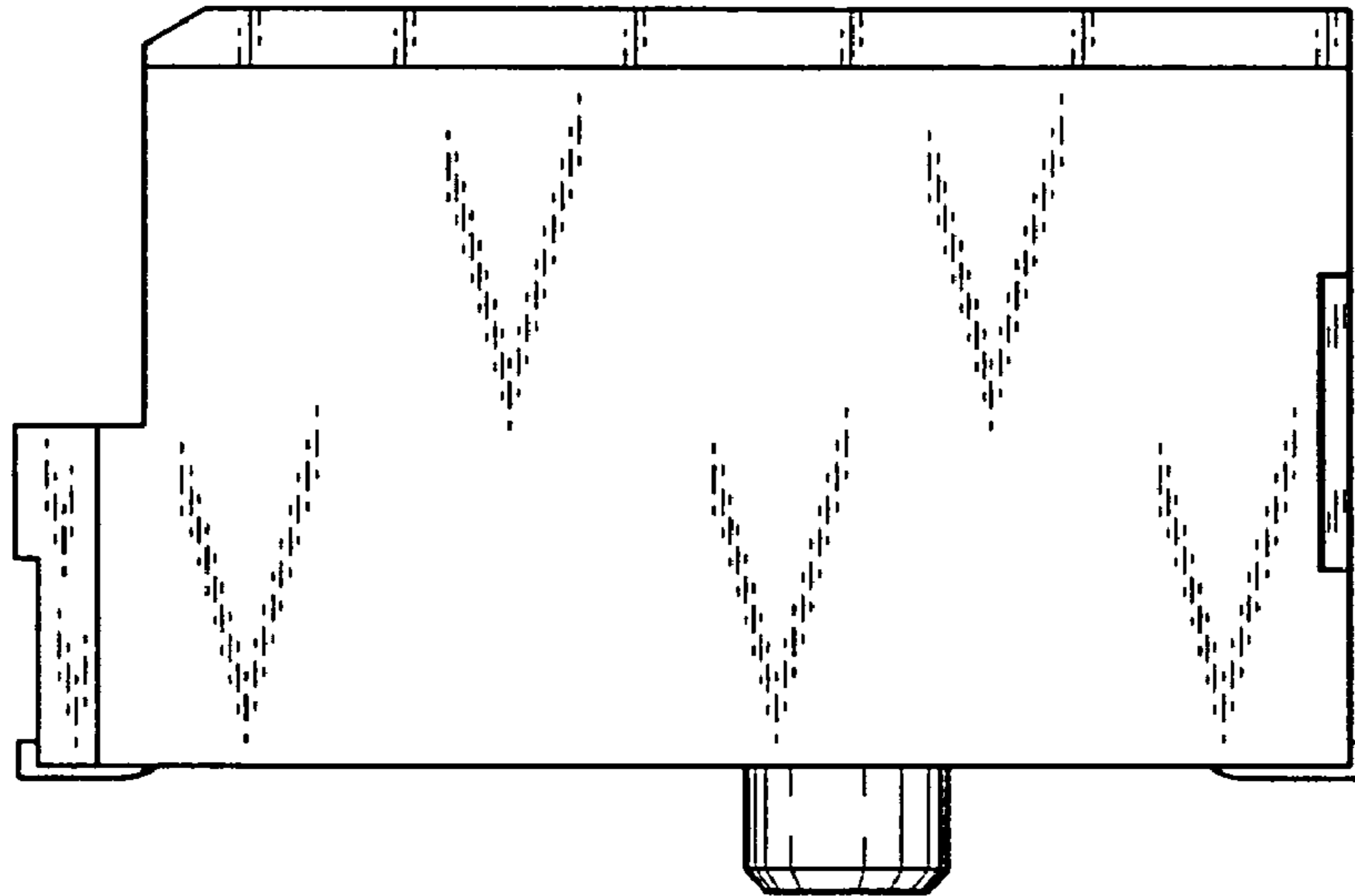


Fig. 8

