



US00D584233S

(12) **United States Design Patent**  
**Chiang**

(10) **Patent No.:** **US D584,233 S**  
(45) **Date of Patent:** **\*\* Jan. 6, 2009**

(54) **CONNECTOR**

(75) Inventor: **Shu Man Chiang**, Tu-Cheng (TW)

(73) Assignee: **CHeng Uei Precision Industry Co., Ltd.**, Taipei Hsien (TW)

(\*\*) Term: **14 Years**

(21) Appl. No.: **29/300,838**

(22) Filed: **May 21, 2008**

(51) **LOC (9) Cl.** ..... **13-03**

(52) **U.S. Cl.** ..... **D13/147**

(58) **Field of Classification Search** ..... D13/146-147,  
D13/154, 184; 439/79, 108, 607-610, 660,  
439/668, 680

See application file for complete search history.

(56) **References Cited**

**U.S. PATENT DOCUMENTS**

D434,728 S	*	12/2000	Huang	.....	D13/147
D453,145 S	*	1/2002	Sato et al.	.....	D13/147
D458,902 S	*	6/2002	Suzuki	.....	D13/147
D504,400 S	*	4/2005	Lai et al.	.....	D13/147
D571,731 S	*	6/2008	Chiang et al.	.....	D13/146

\* cited by examiner

*Primary Examiner*—Daniel D Bui

(74) *Attorney, Agent, or Firm*—Rosenberg, Klein & Lee

(57) **CLAIM**

The ornamental design for a connector, as shown and described.

**DESCRIPTION**

FIG. 1 is a top, front and right side perspective view of a connector showing my new design;

FIG. 2 is a front elevational view thereof;

FIG. 3 is a rear elevational view thereof;

FIG. 4 is a left side elevational view thereof;

FIG. 5 is a right side elevational view thereof;

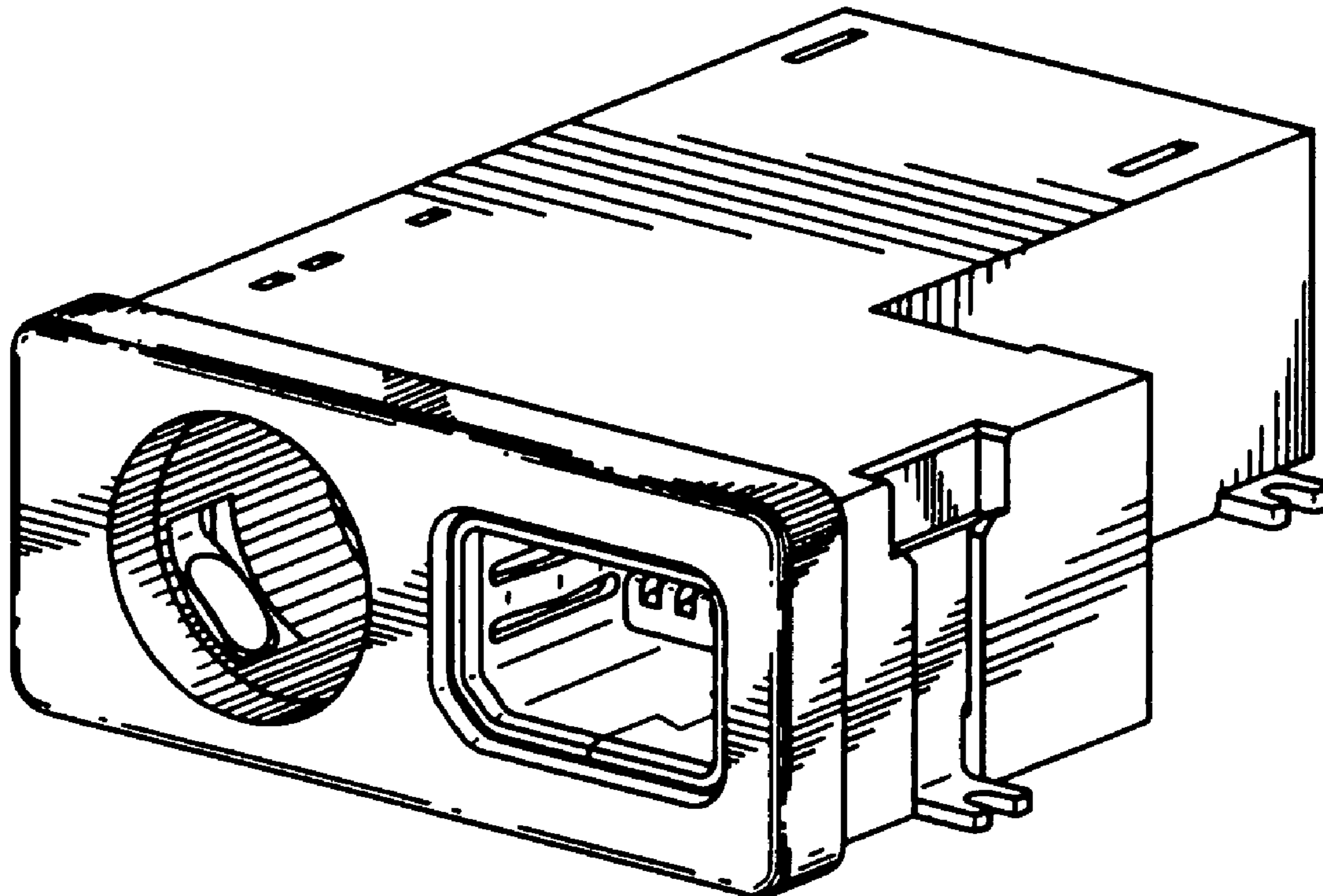
FIG. 6 is a top plan view thereof;

FIG. 7 is a bottom plan view thereof; and,

FIG. 8 is a bottom, front and right side perspective view thereof.

The broken line portion in the figure drawings is included to show unclaimed subject matter only and forms no part of the claimed design.

**1 Claim, 8 Drawing Sheets**



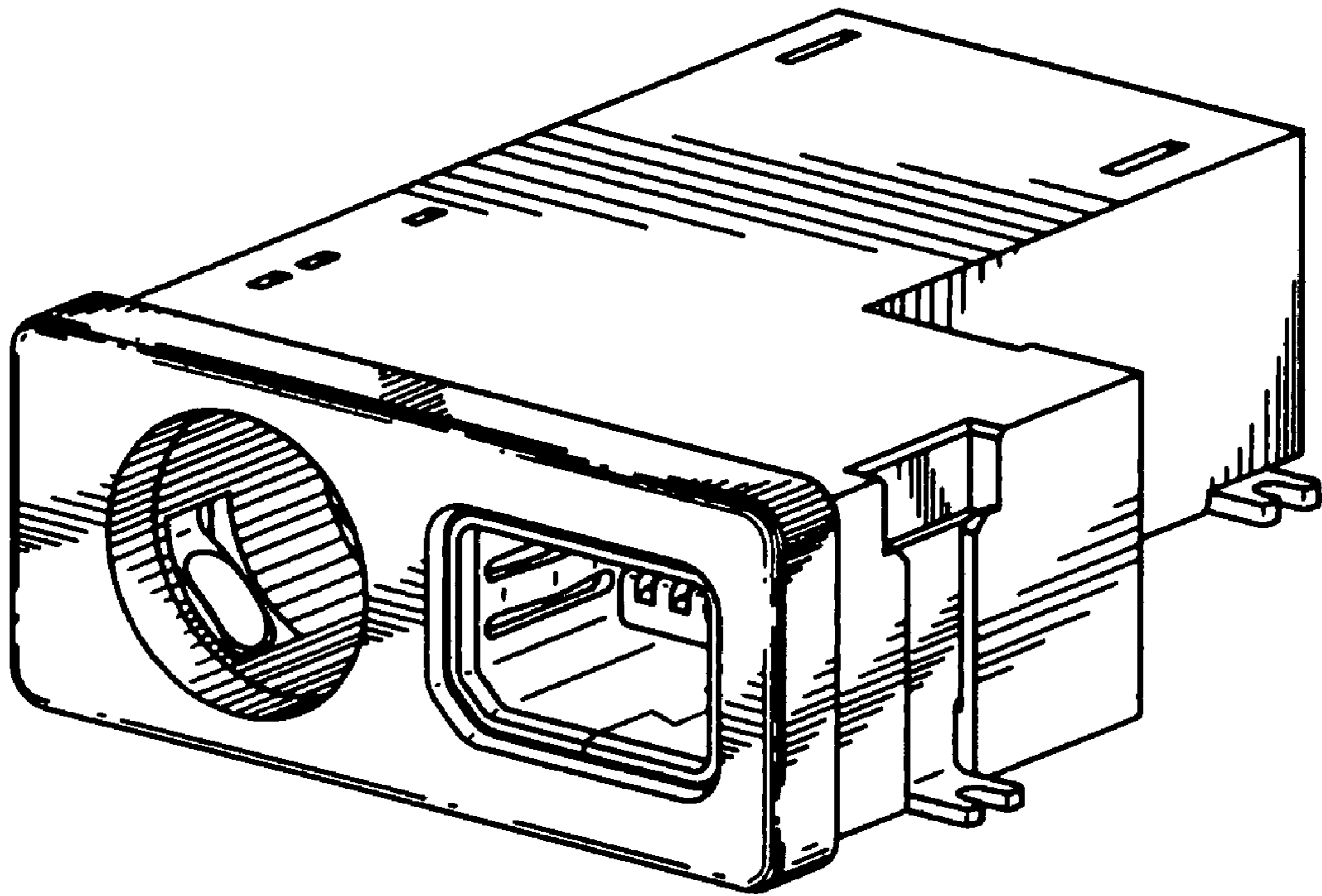


FIG. 1

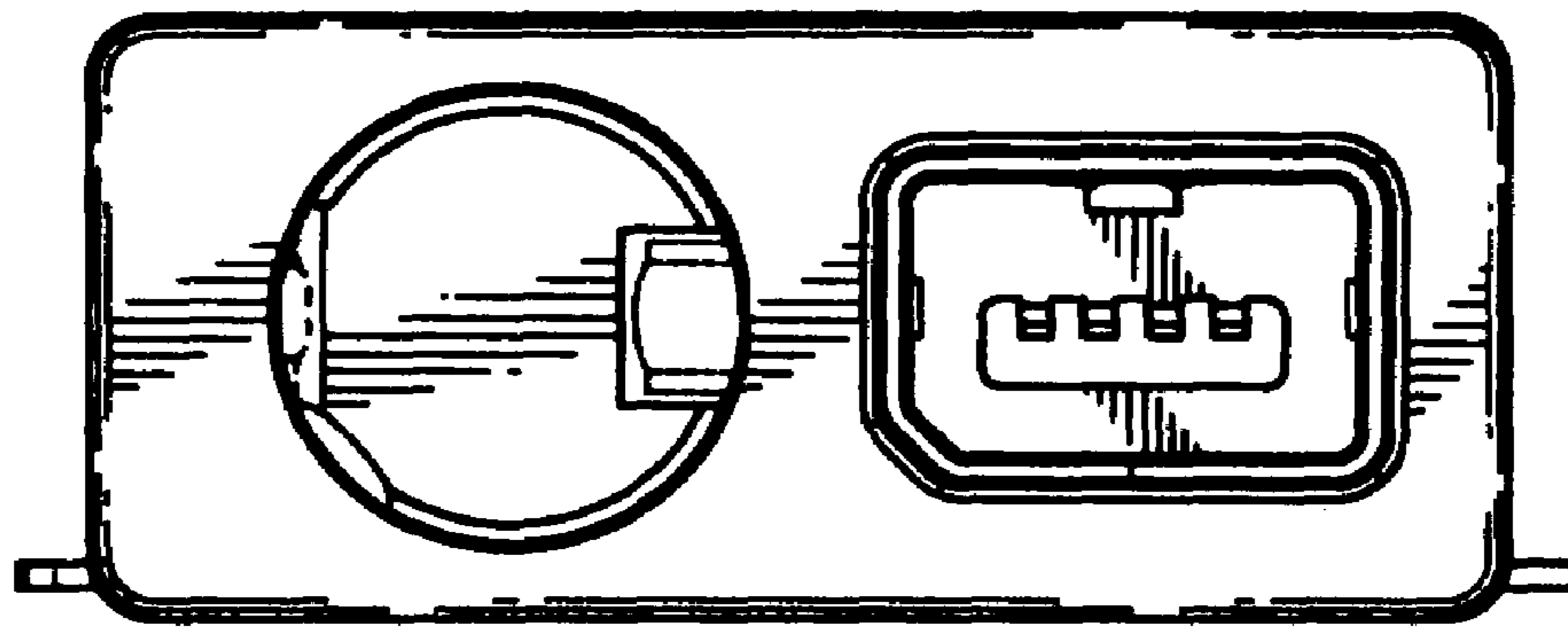


FIG. 2

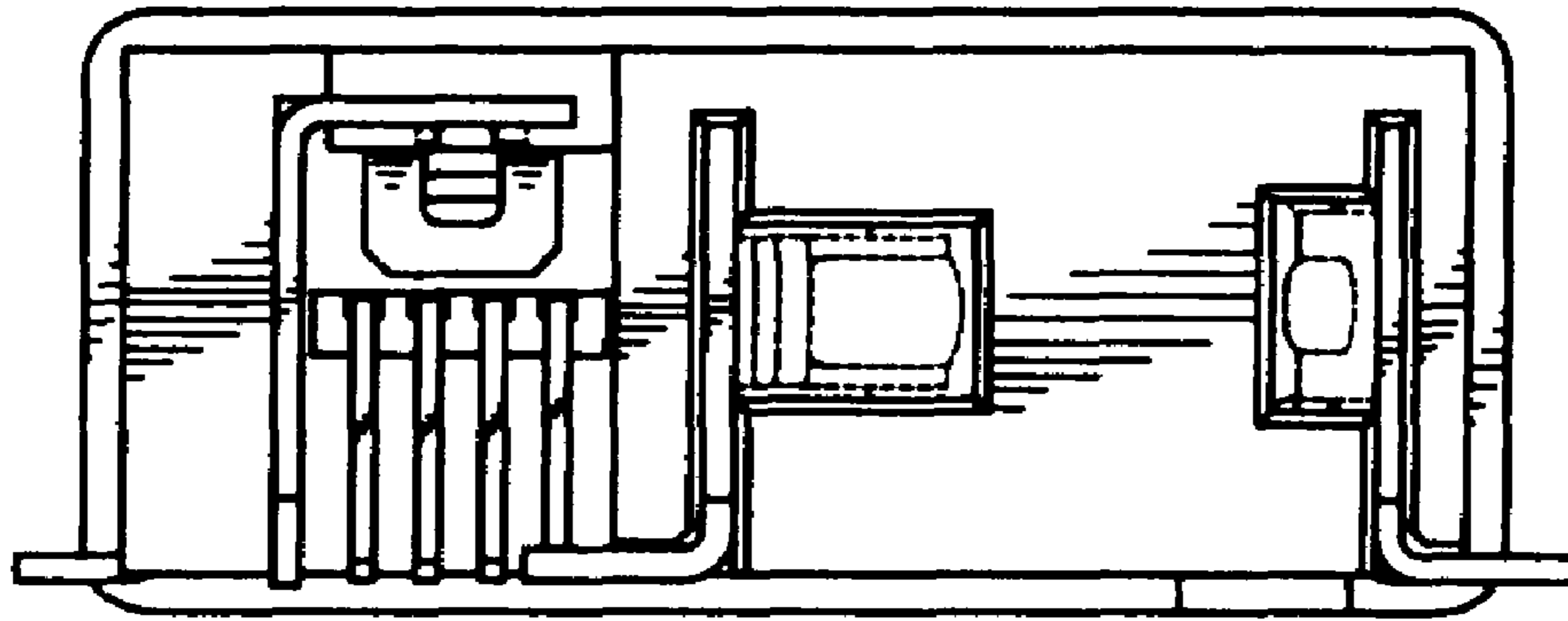


FIG. 3

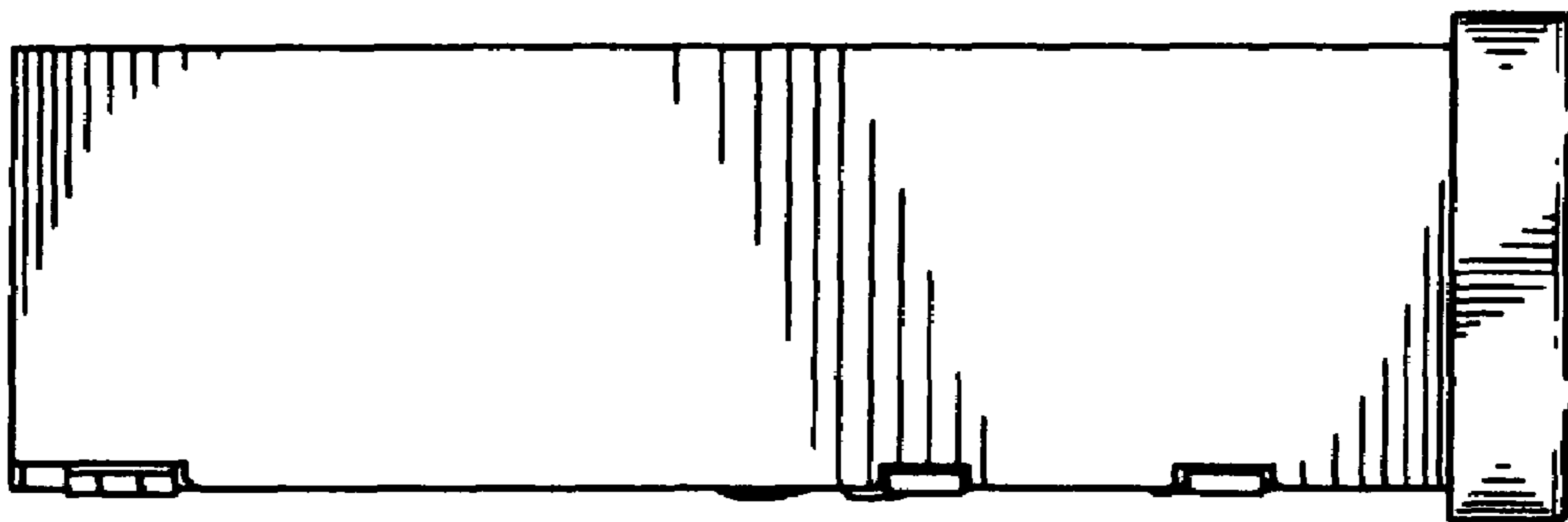


FIG. 4

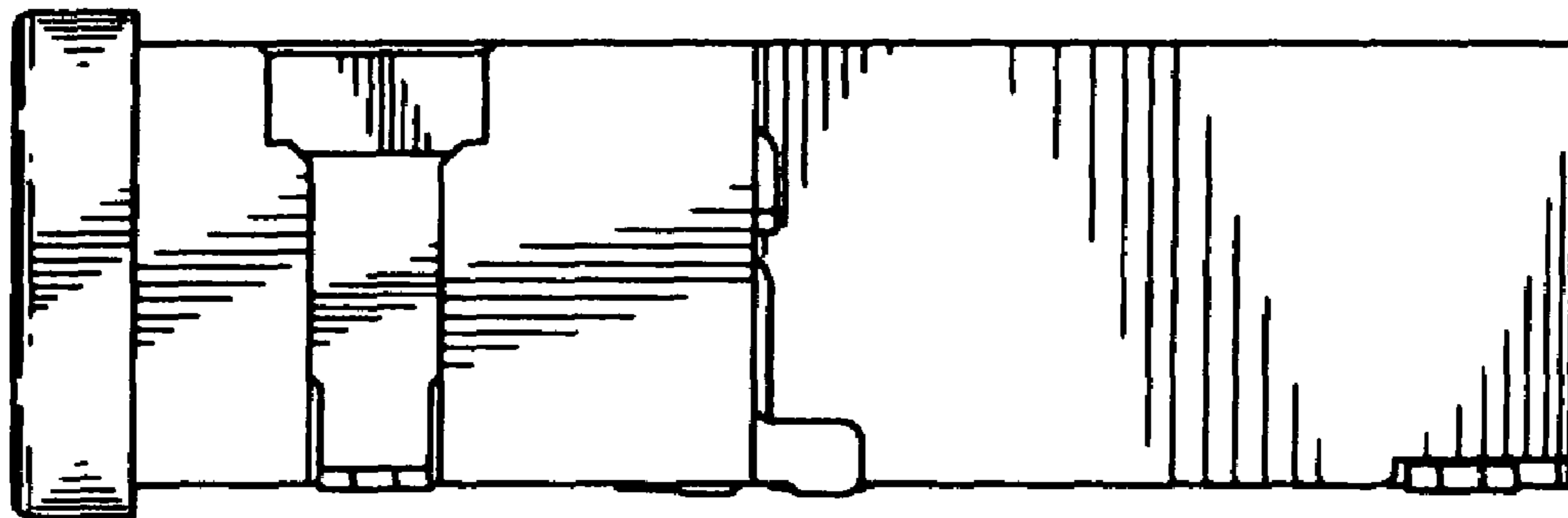


FIG. 5

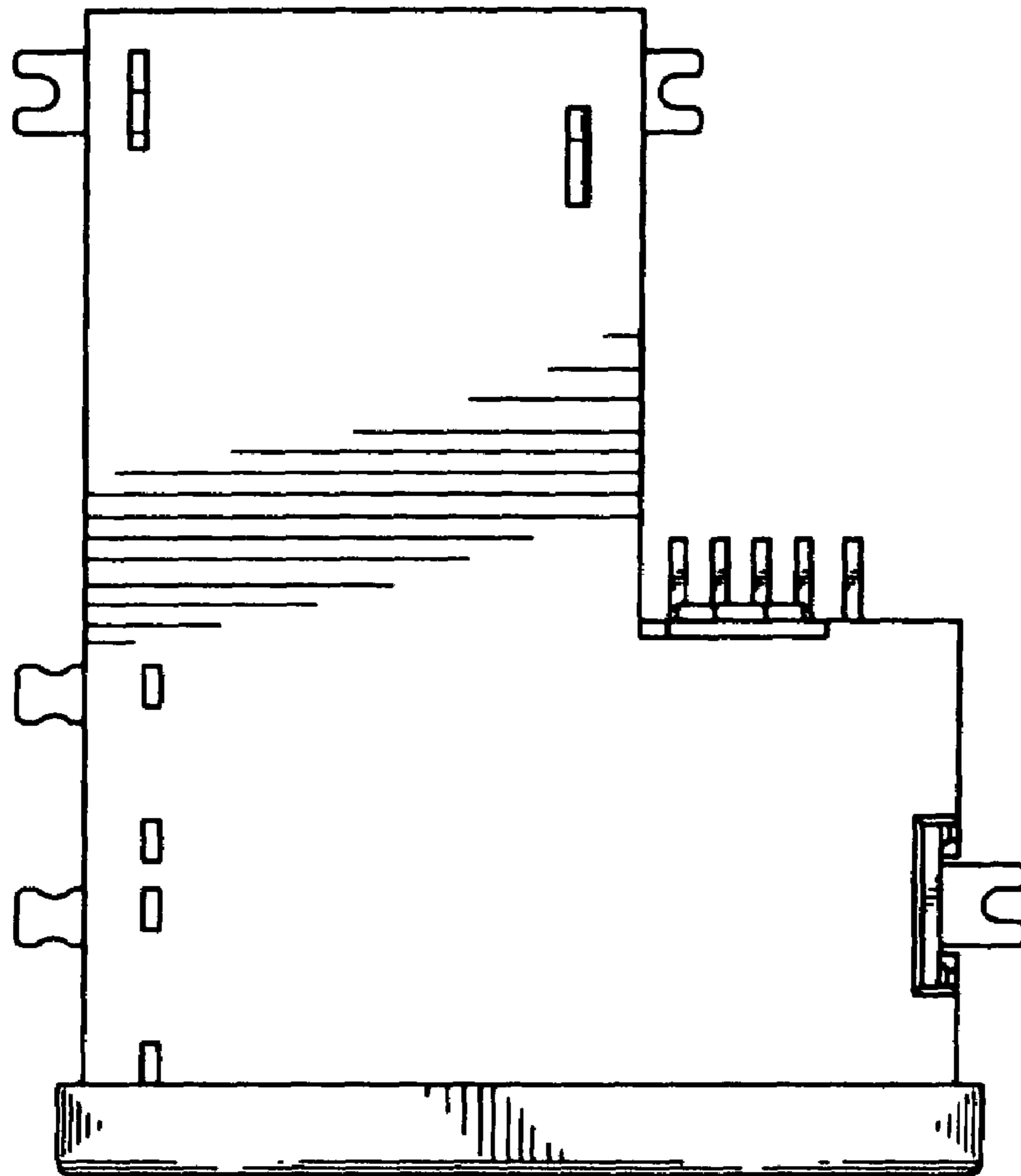


FIG. 6

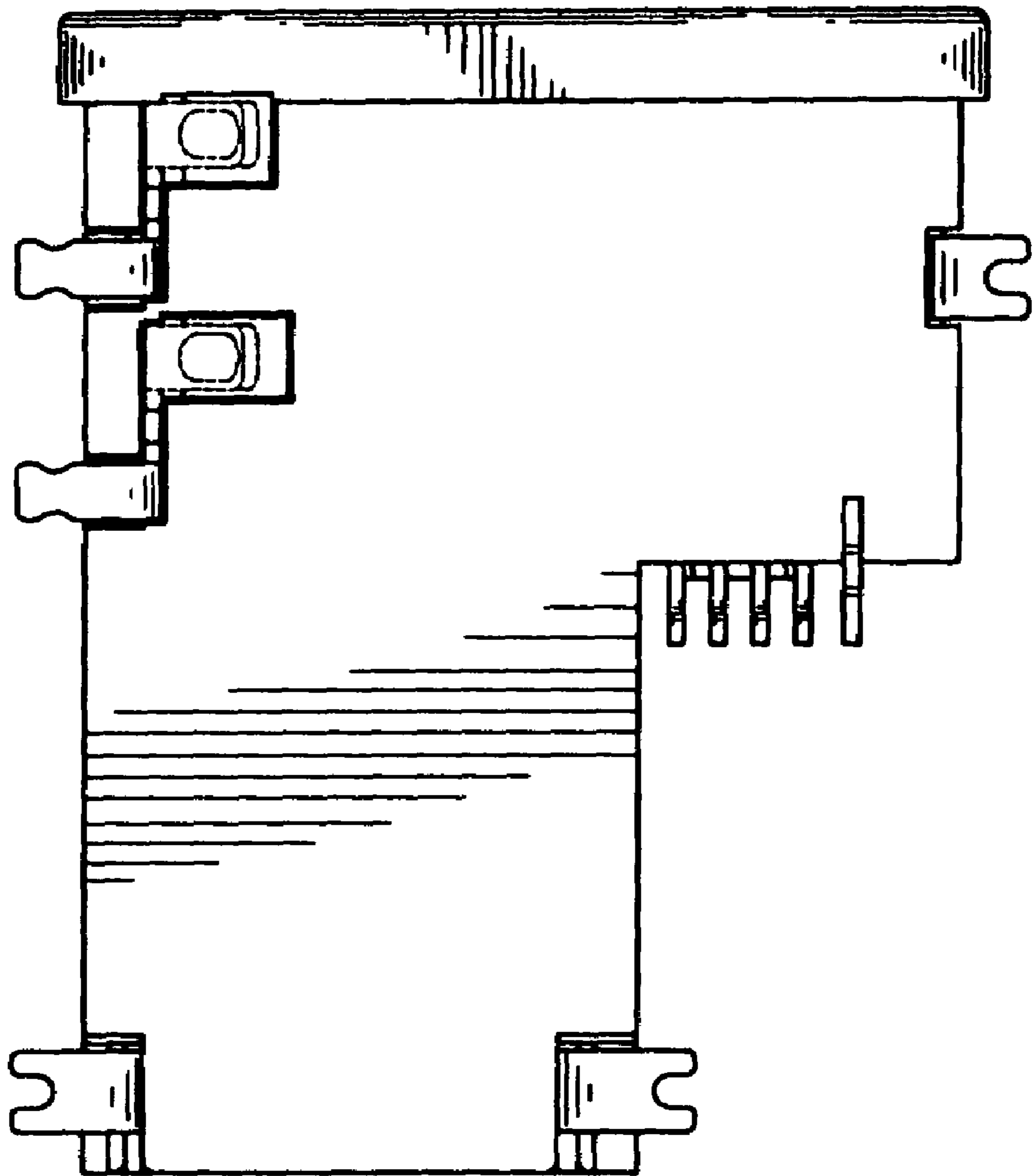


FIG. 7



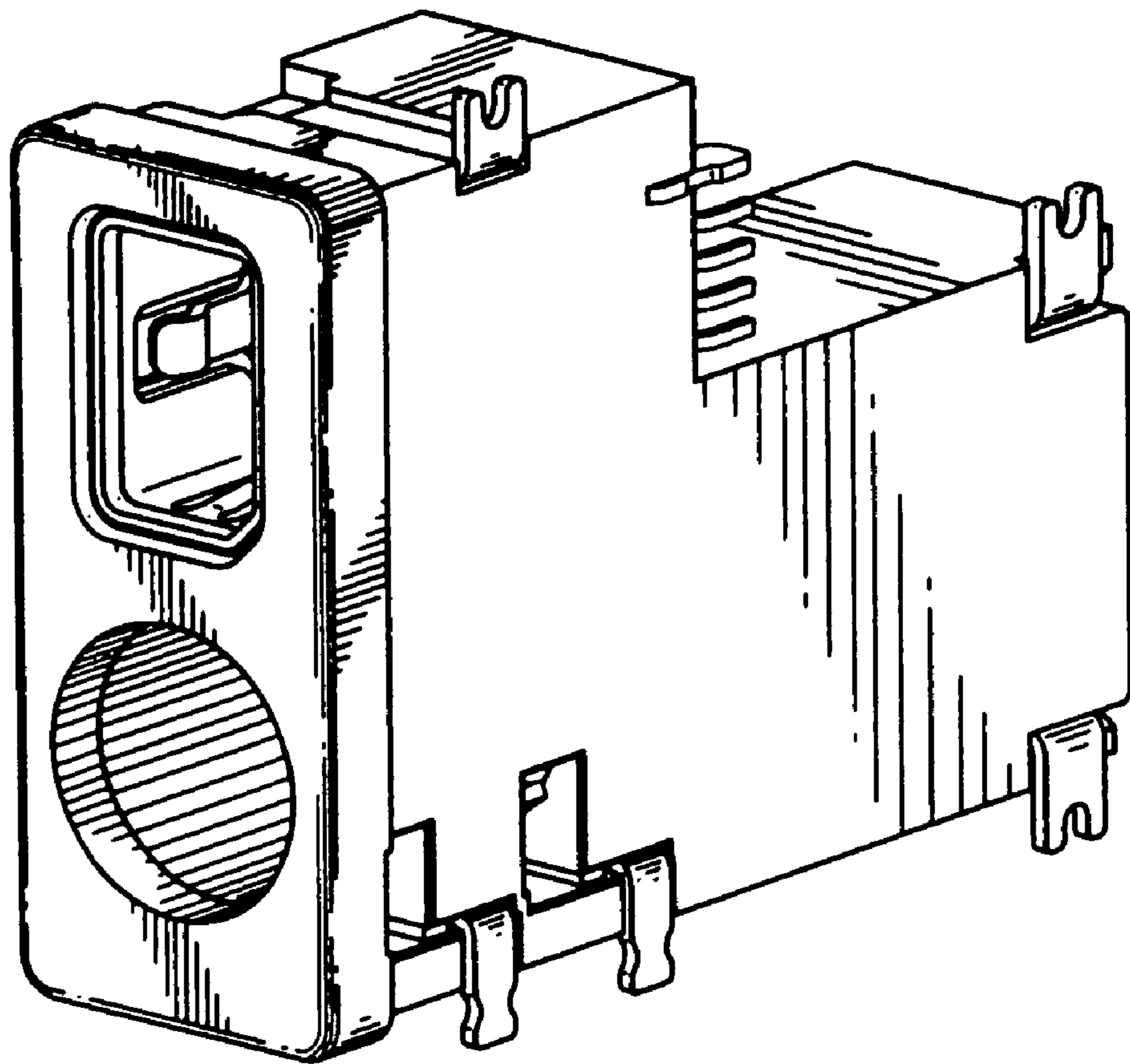


FIG. 8