



US00D584231S

(12) **United States Design Patent**
Wu

(10) **Patent No.:** **US D584,231 S**
(45) **Date of Patent:** **** Jan. 6, 2009**

(54) **ELECTRICAL CONNECTOR**

(75) Inventor: **Chun-Kwan Wu**, Tu-cheng (TW)

(73) Assignee: **Hon Hai Precision Ind. Co., Ltd.**,
Taipei Hsien (TW)

(**) Term: **14 Years**

(21) Appl. No.: **29/293,624**

(22) Filed: **Dec. 4, 2007**

(30) **Foreign Application Priority Data**

Sep. 22, 2007 (CN) 2007 3 0186609

(51) **LOC (9) Cl.** **13-03**

(52) **U.S. Cl.** **D13/147**

(58) **Field of Classification Search** D13/120,
D13/147, 154, 184; D14/432, 433, 436,
D14/438; 361/684-685; 439/64, 79, 159-160,
439/330-331, 341-342, 607-610, 629-630,
439/660, 946

See application file for complete search history.

(56) **References Cited**

U.S. PATENT DOCUMENTS

6,951,488 B2 * 10/2005 Hsieh 439/660

D559,180 S * 1/2008 Lai et al. D13/120
D571,724 S * 6/2008 Chen et al. D13/120
2005/0059303 A1 * 3/2005 Panella et al. 439/862

* cited by examiner

Primary Examiner—Daniel D Bui

(74) *Attorney, Agent, or Firm*—Wei Te Chung

(57) **CLAIM**

The ornamental design for an electrical connector, as shown and described.

DESCRIPTION

FIG. 1 is a perspective view of an electrical connector showing my new design;

FIG. 2 is a front elevational view of FIG. 1;

FIG. 3 is a rear elevational view of FIG. 1;

FIG. 4 is a left side elevational view of FIG. 1;

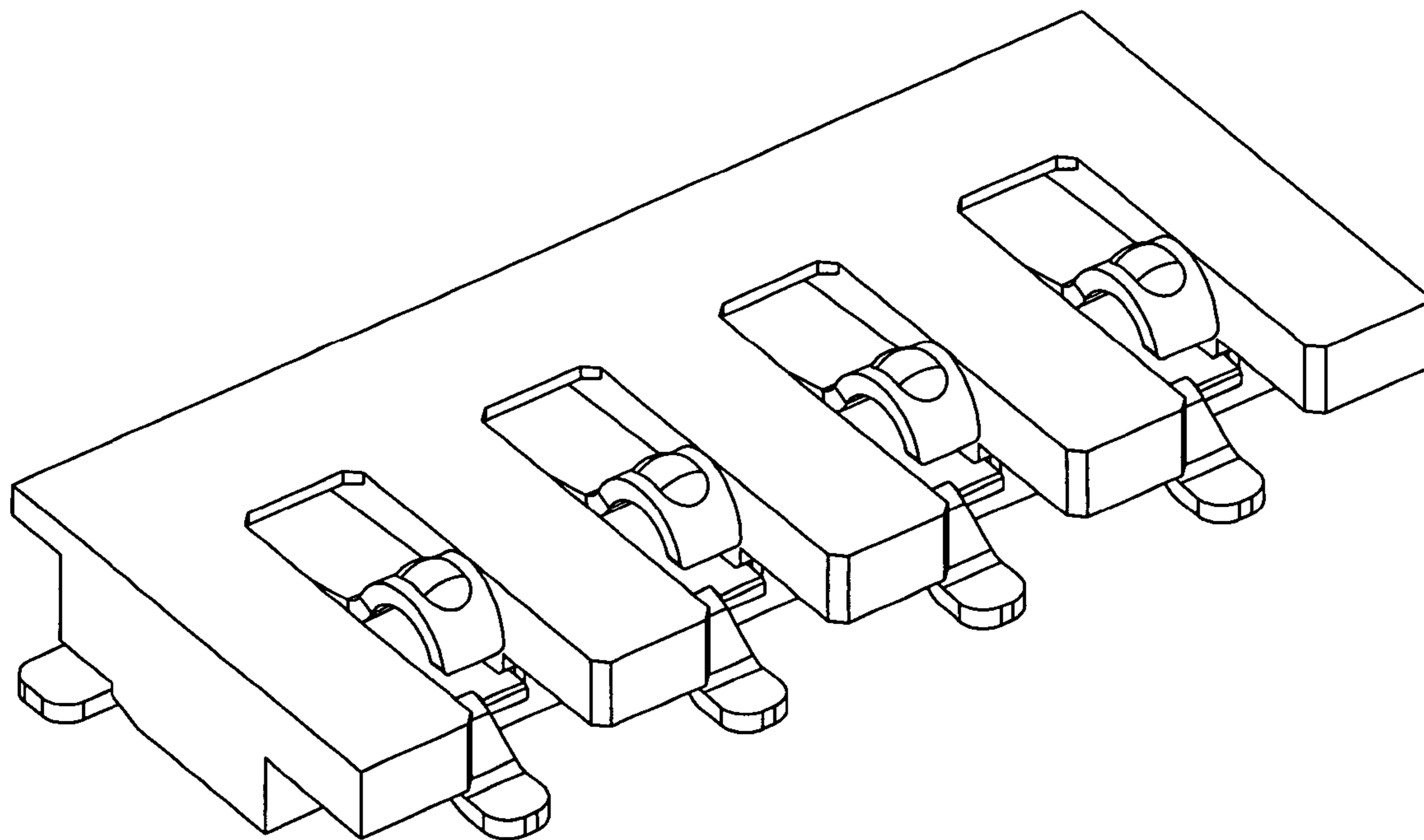
FIG. 5 is a right side elevational view of FIG. 1;

FIG. 6 is a top plan view of FIG. 1; and,

FIG. 7 is a bottom plan view of FIG. 1.

The broken line portion of the figure drawings is included to show unclaimed subject matter only and forms no part of the claimed design.

1 Claim, 7 Drawing Sheets



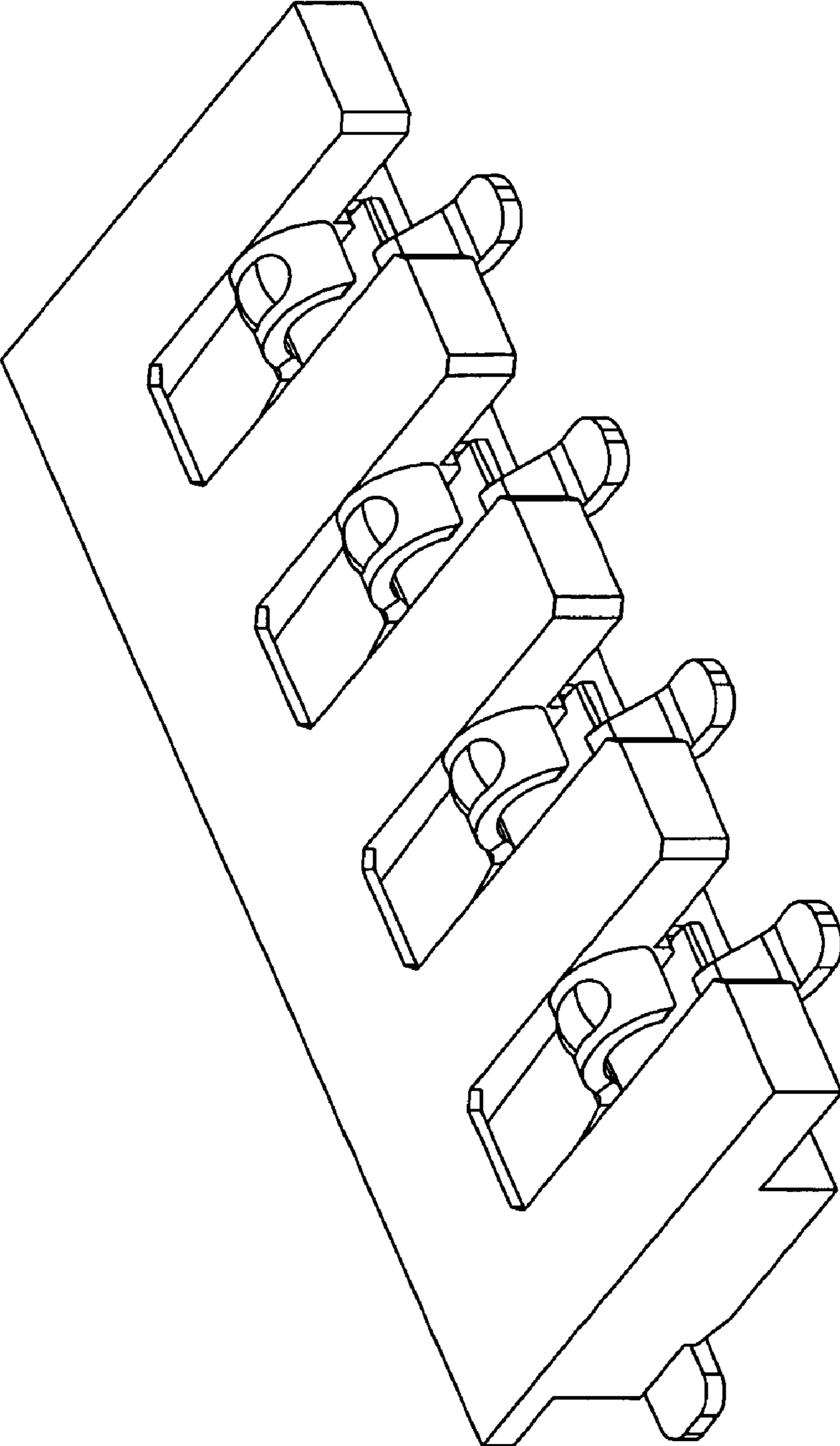


FIG. 1

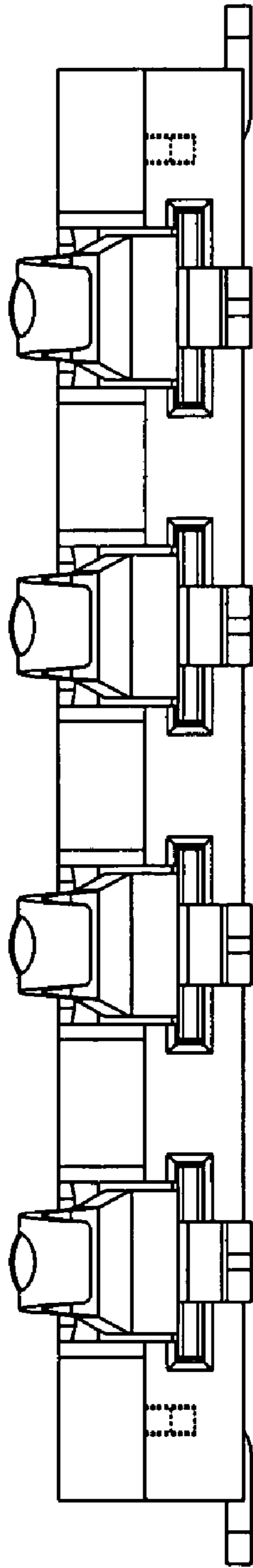


FIG. 2

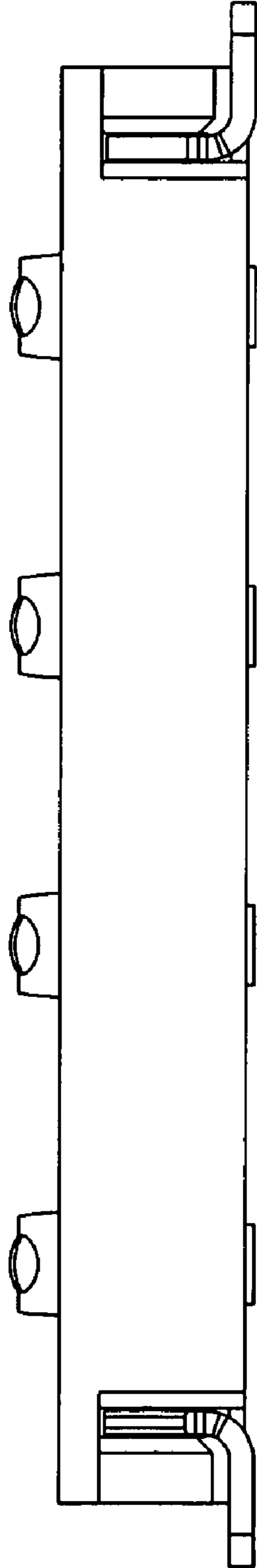


FIG. 3

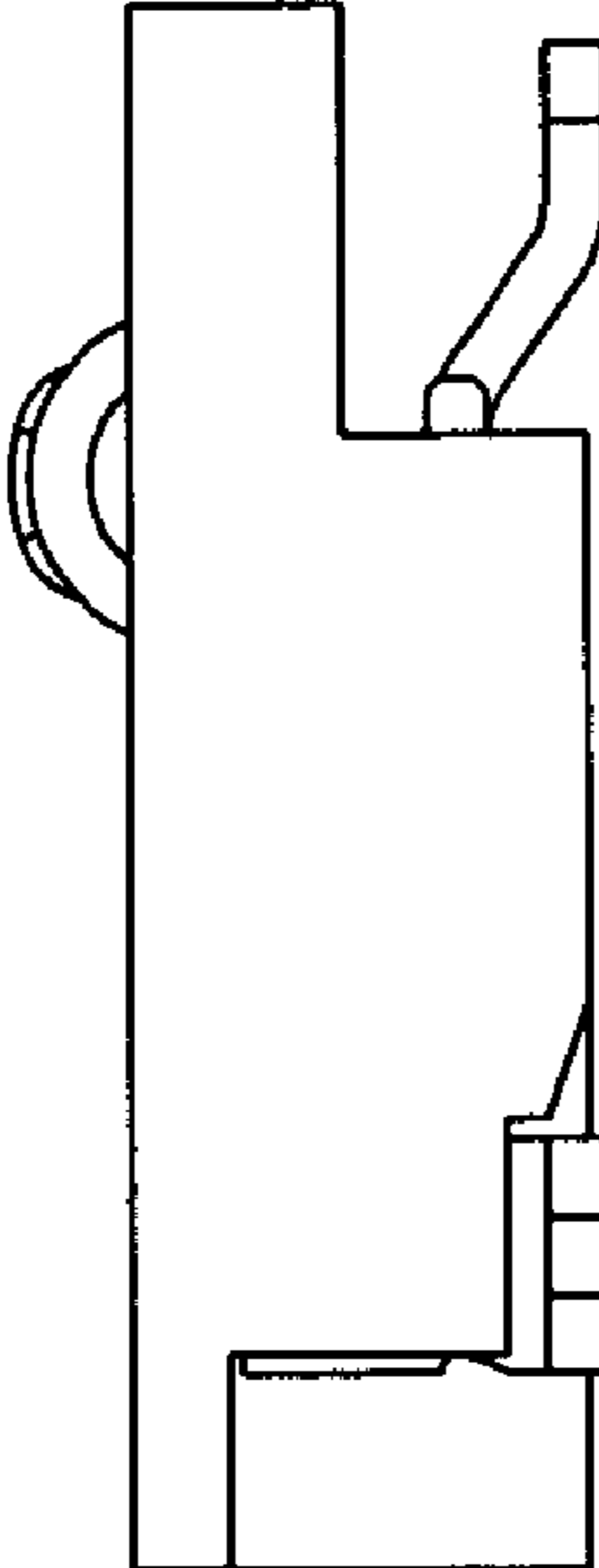


FIG. 4

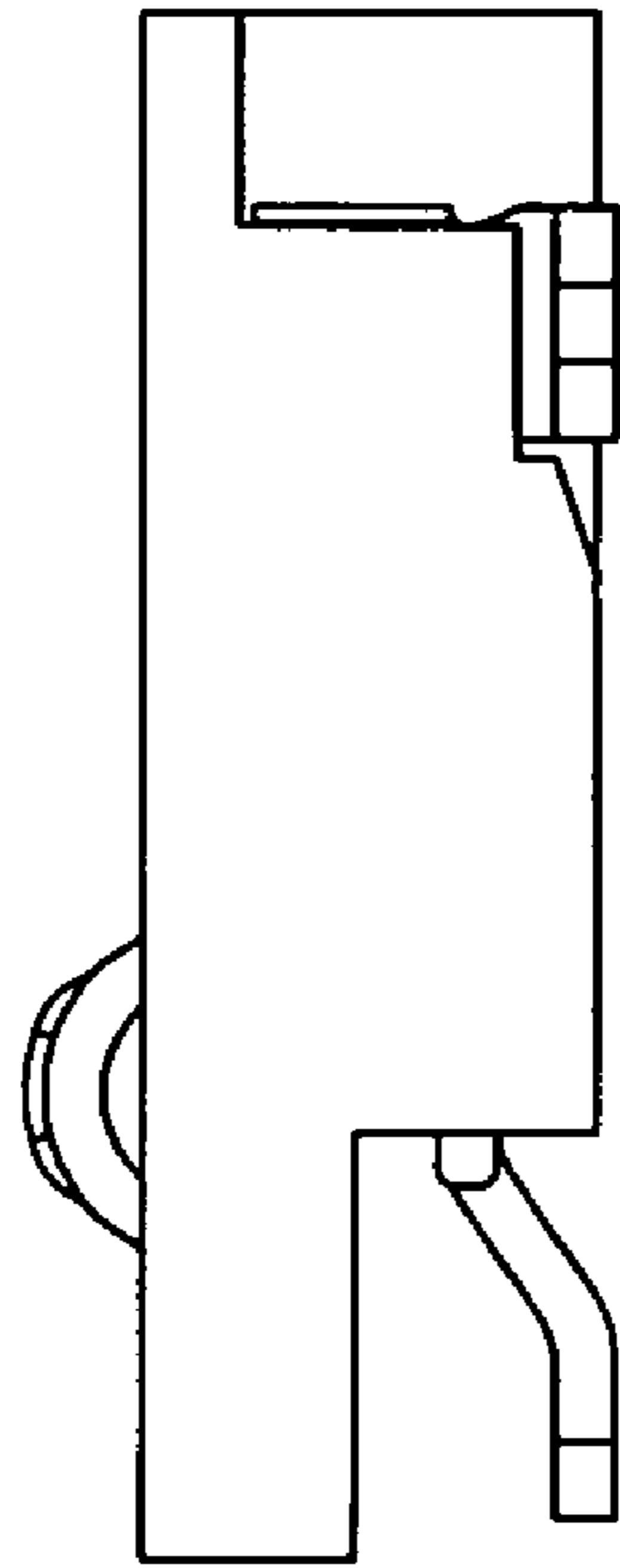


FIG. 5

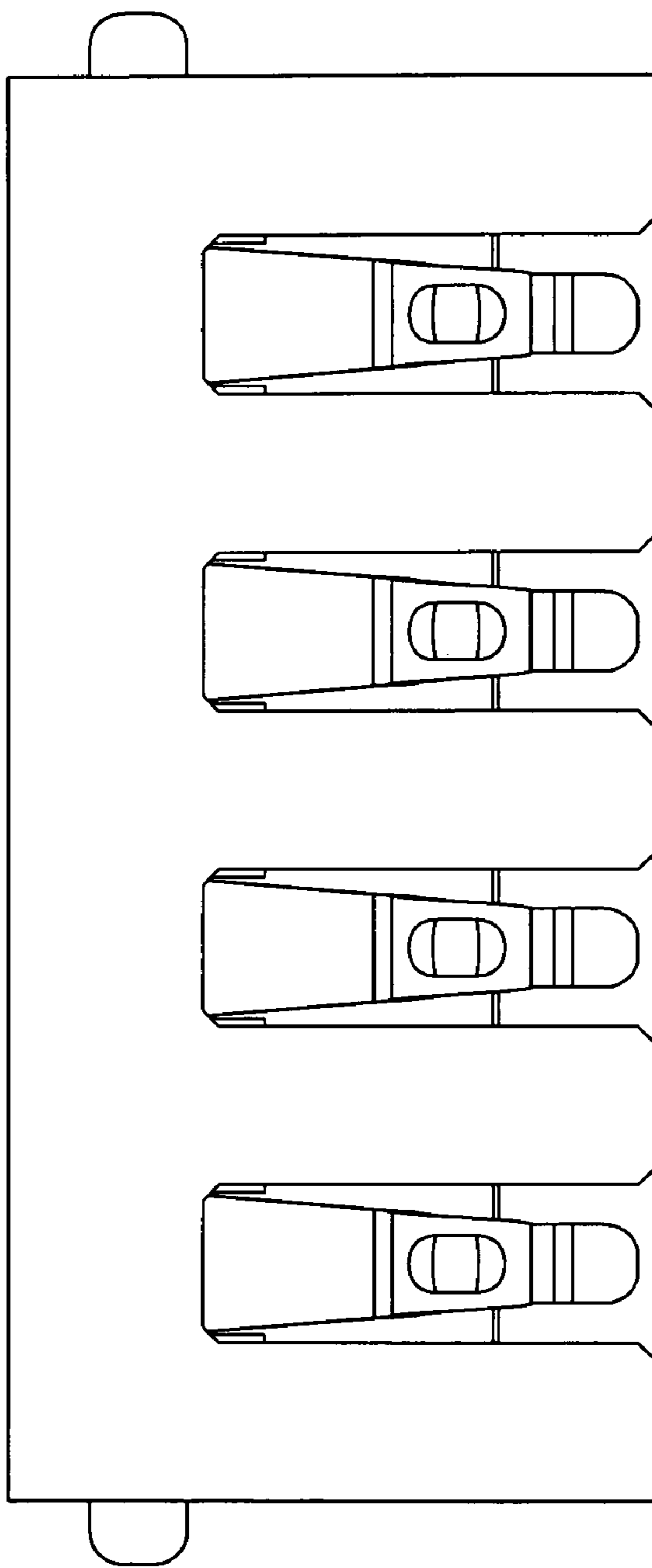


FIG. 6

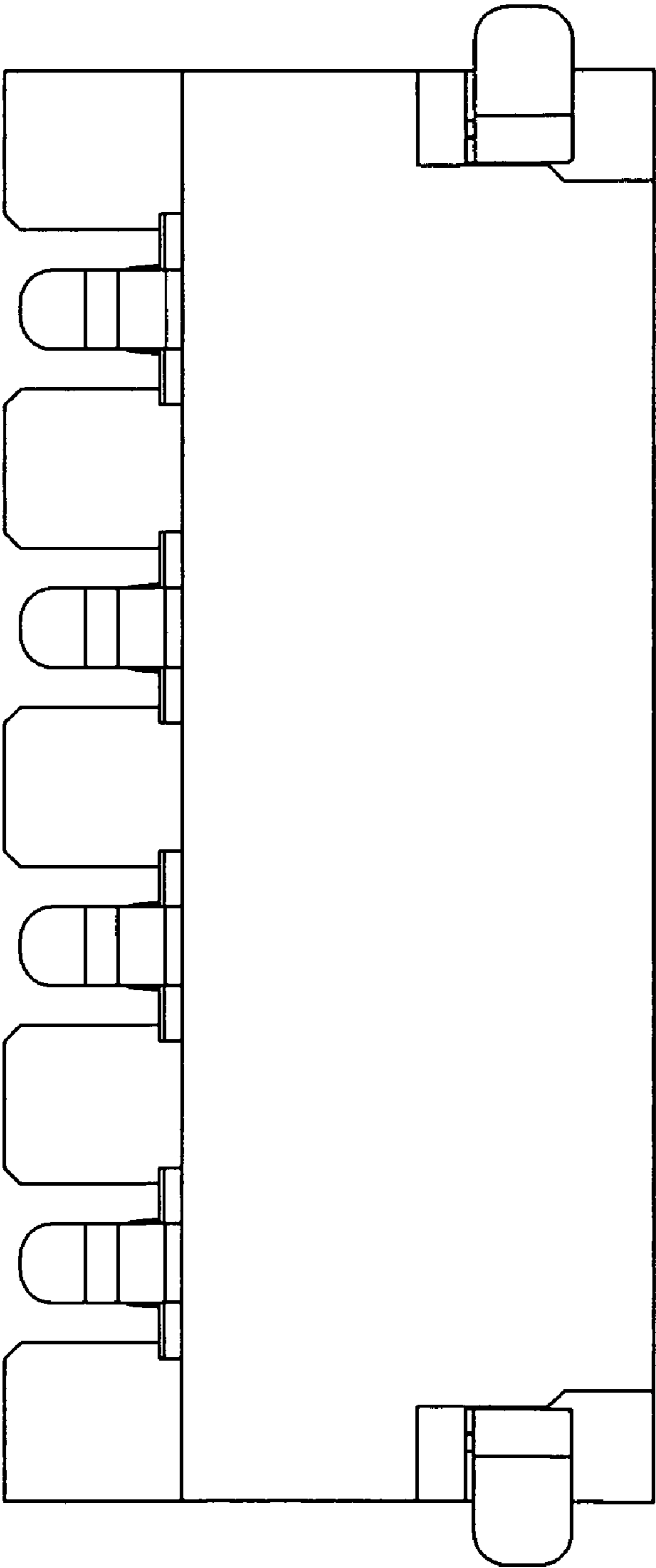


FIG. 7